

THIS DRAWING IS UNPUBLISHED.

RELEASED FOR PUBLICATION

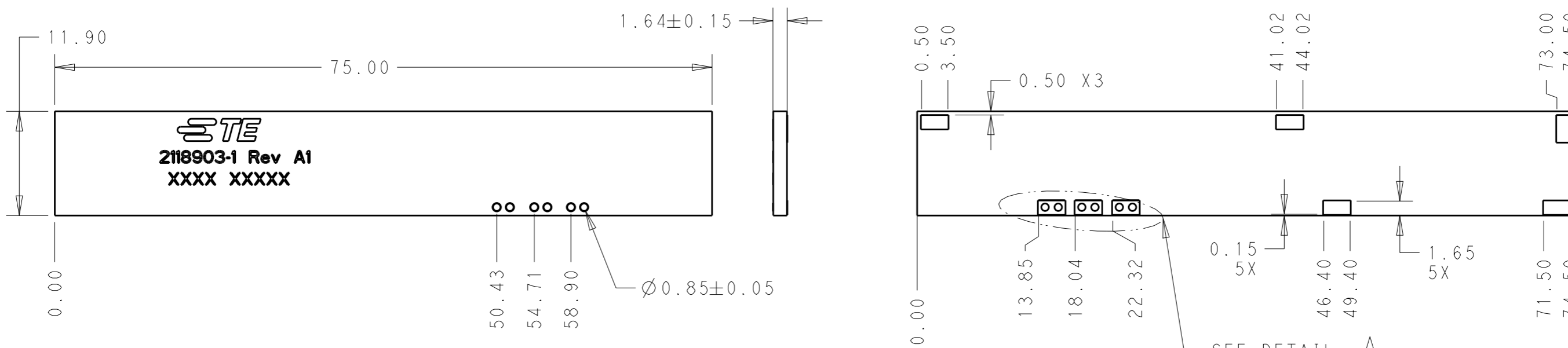
20

© COPYRIGHT 20

ALL RIGHTS RESERVED.

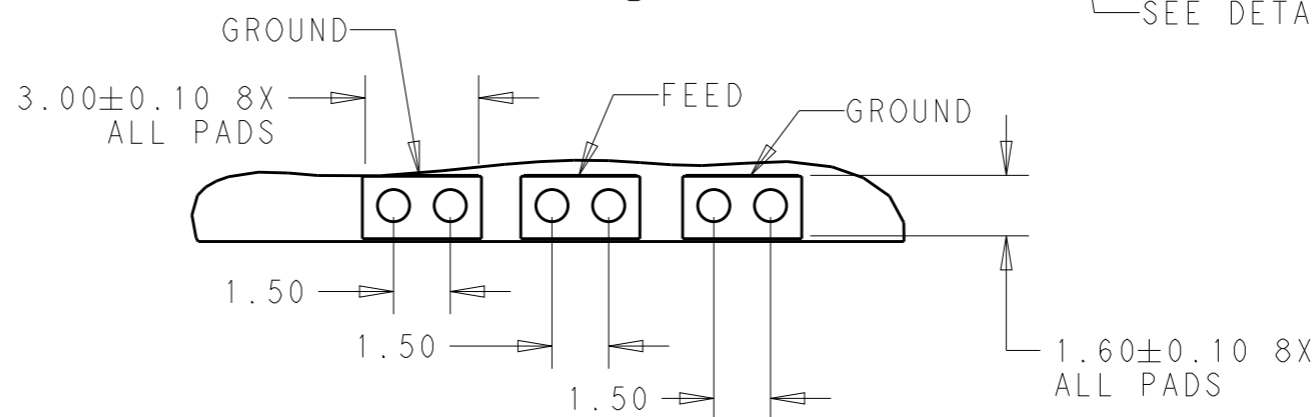
REVISIONS

P	LTR	DESCRIPTION	DATE	DWN	APVD
1		INITIAL RELEASE	28AUG2018	CR	JLM
2		GERBER CHANGES	30OCT2018	CR	JLM
A		PRODUCTION RELEASE	18JAN2019	CR	CR
A1		REVISED PER ECO-19-017855	22SEP2019	SJ	JH



NOTES: UNLESS OTHERWISE SPECIFIED.

- FABRICATE TO MEET IPC - 6012, CLASS 2. INSPECT TO MEET IPC - A - 600, CLASS 2.
- PRIMARY SIDE AND SECONDARY SIDE SHOWN.
- MATERIAL: FR4; COPPER BOTH SIDES DIELECTRIC CONSTANT @ 1MHZ 4.2±0.1.
- FINISH:  
A: SOLDERMASK OVER BARE COPPER (SMOBC).  
B: MASK BOTH SIDES OF PCB WITH LPI SOLDERMASK. SOLDERMASK COLOR:ORANGE.  
C: SMT PADS E.N.I.G PLATED
- PACKAGING: PARTS TO BE SECURELY VACUUM PACKAGED IN BULK.
- PRODUCT AND PROCESSING MEET REQUIREMENTS OF TE CONNECTIVITY ENVIROMENTAL STANDARD TEC-138-702. LOW HALOGEN: CODE2:LOW Br/Cl PER TEC-138-702
- SILKSCREEN; WHITE EPOXY INK  
A. TE LOGO, TE P/N  
B. WORD REV., FOLLOWED BY THE LATEST REVISION LETTER, AS SHOWN.  
C. 4 DIGIT DATE CODE. FIRST 2 DIGITS FOR THE WEEK CODE AND THE 2ND TWO DIGITS FOR THE YEAR CODE. SPECIFIC TE VENDOR CODE NUMBER DIGITS AS REQUIRED.



DETAIL A  
SCALE 5:1

BULK PACKAGING	2118903-1
DESCRIPTION	PART NUMBER

THIS DRAWING IS A CONTROLLED DOCUMENT.		DWN C. REGUS 28AUG2018	TE Connectivity NAME ANTENNA, LTE	
DIMENSIONS: mm		CHK C. REGUS 28AUG2018		
		APVD J. MOORE 28AUG2018		
TOLERANCES UNLESS OTHERWISE SPECIFIED:		PRODUCT SPEC	RESTRICTED TO	
0 PLC ±. 1 PLC ±0.5 2 PLC ±0.25 3 PLC ±0.013 4 PLC ±0.0001 ANGLES ±.		APPLICATION SPEC	-	
MATERIAL		WEIGHT	SIZE A3	CAGE CODE 00779
FINISH		CUSTOMER DRAWING	DRAWING NO C-2118903	SCALE 2:1
			SHEET 1 OF 1	REV A1