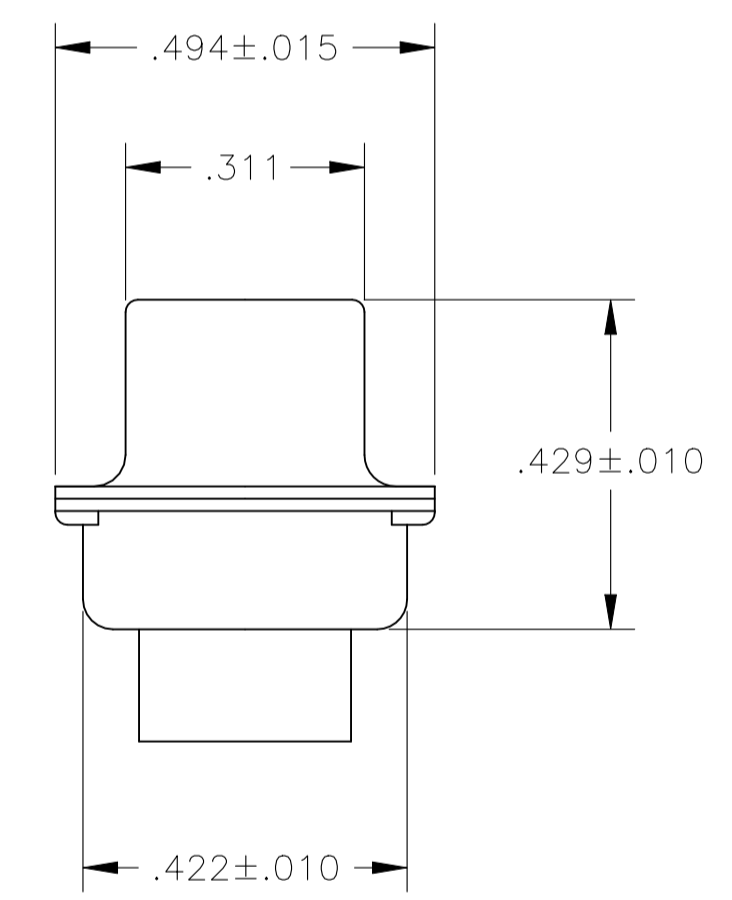
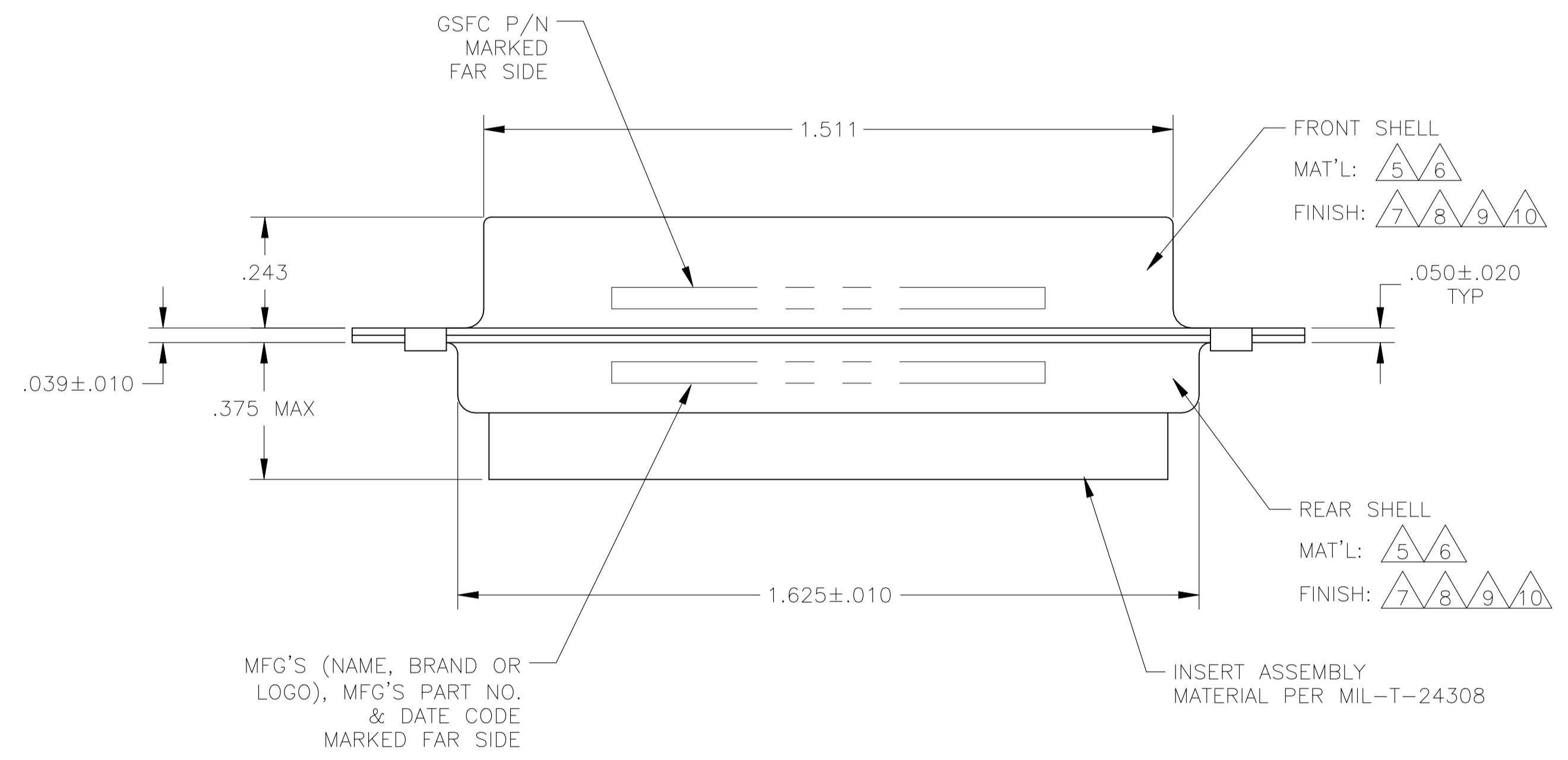
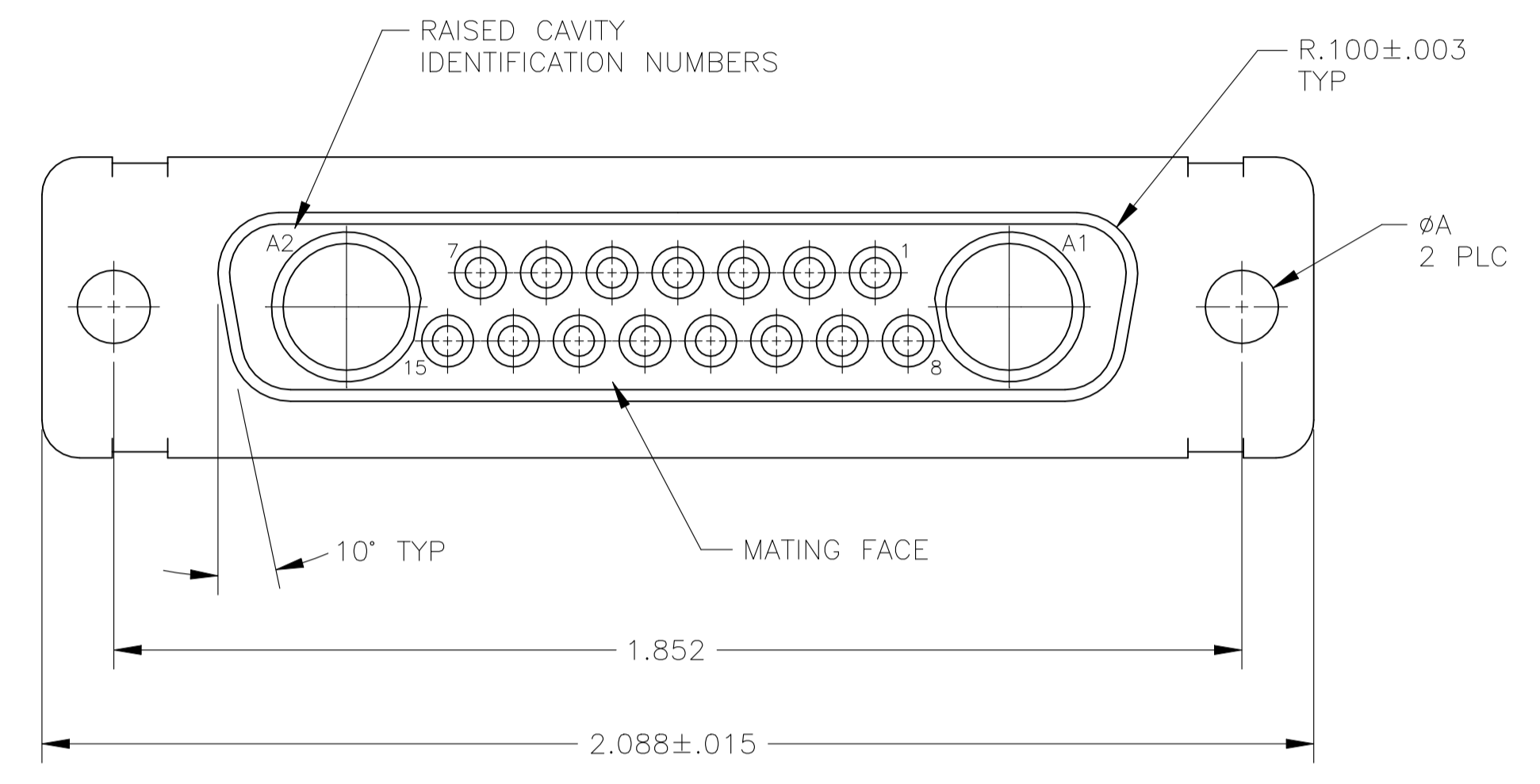


REVISIONS				
P	LTR	DESCRIPTION	DATE	APPROV
S		REVISED PER ECN-24-272245	25JUN2024	PE DS

WARNING - THIS DOCUMENT CONTAINS TECHNOLOGY WHOSE EXPORT IS RESTRICTED BY THE EXPORT ADMINISTRATION REGULATIONS ("EAR") PURSUANT TO 15 C.F.R. PARTS 730-774. VIOLATIONS OF THE EAR ARE SUBJECT TO SEVERE CRIMINAL PENALTIES UNDER THE EXPORT CONTROL REFORM ACT, AS AMENDED (TITLE 50, U.S.C., SEC. 4801, ET SEQ.).

1. THIS RECEPTACLE WILL MATE WITH ANY 17C2, SIZE 3 PLUG IN AMPLIMITE SERIES.
  2. MAXIMUM WIRE INSULATION TO BE USED WITH THIS RECEPTACLE IS  $\phi.068$ .
  3. THIS CONNECTOR ACCEPTS (2) POWER 8, OR COAX SOCKET CONTACTS IN POSITIONS A1 THRU A2, PURCHASED SEPARATELY.
  4. THIS CONNECTOR ACCEPTS SIZE 20 SOCKET SIGNAL CONTACTS IN POSITIONS 1 THRU 15, PURCHASED SEPARATELY.
- 5 STEEL PER ASTM-A-109.
  - 6 BRASS PER MIL-C-50 AND ASTM-B-36 UNS NO. C26000.
  - 7 FINISH: CADMIUM PLATED PER QQ-P-416.
  - 8 GOLD PLATED PER MIL-G-45204 TYPE II, GRADE C, CLASS 1 OVER COPPER PER MIL-C-14550, CLASS IV.
  - 9 FINISH: TIN PER ASTM-B-545 .000400 MIN THK OVER COPPER PER AMS2418 .000050 MIN THK.
  - 10 FINISH: ZINC PLATE PER ASTM-B-633 .000200-.000400 THK WITH SUPPLEMENTARY CHROMATE (Cr3+).



5-212510-1 OBSOLETE	5 10	.120	-	5-212510-1
5-212510-4 OBSOLETE	5 9	.120	-	5-212510-4
	5 9	.120	-	212510-5
212510-4 OBSOLETE	5 9	.120	-	212510-4
212510-3 OBSOLETE	6 8	.154	311P405-13S-B-15	212510-3
212510-2 OBSOLETE	6 8	.120	311P405-13S-B-12	212510-2
	5 7	.120	-	212510-1
REMARKS	$\phi A$	GSFC P/N	PART NO.	

THIS DRAWING IS A CONTROLLED DOCUMENT.

DIMENSIONS: INCHES	TOLERANCES UNLESS OTHERWISE SPECIFIED:	DIN C.C.THOMAS 26JAN88	APPROV A.FMADI 02FEB88	NAME
0 PLC ± -	1 PLC ± -	2 PLC ± -	3 PLC ± .005(0.13)	4 PLC ± ± 0°/30°
MATERIAL	FINISH	WEIGHT	SIZE A1 00779	DRAWING NO C=212510
CUSTOMER DRAWING		SCALE 4:1	SHEET 1 of 1	REV S

RECEPTACLE ASSEMBLY  
AMPLIMITE 17C2  
SIZE 3, SERIES 109, COAX MIX