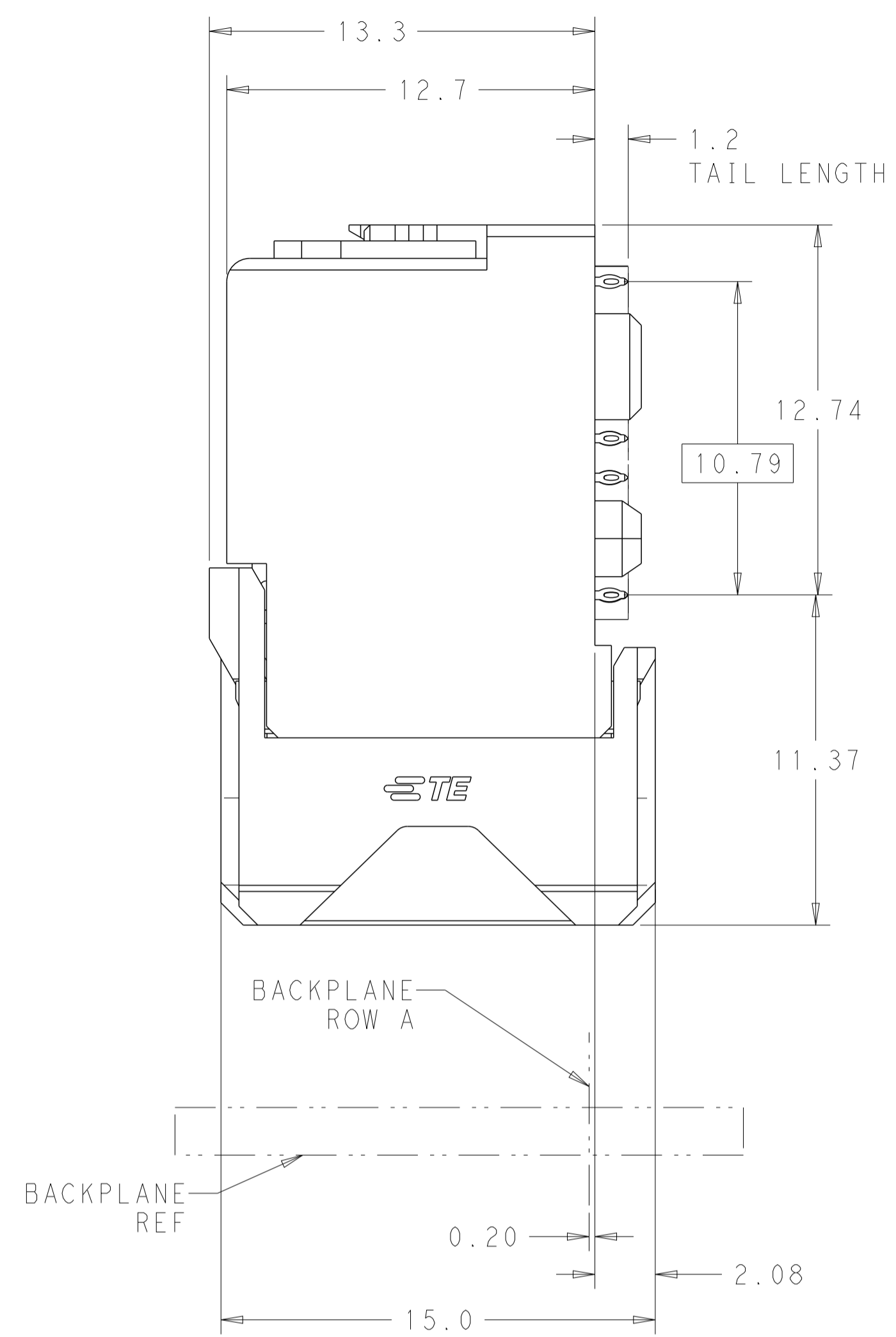
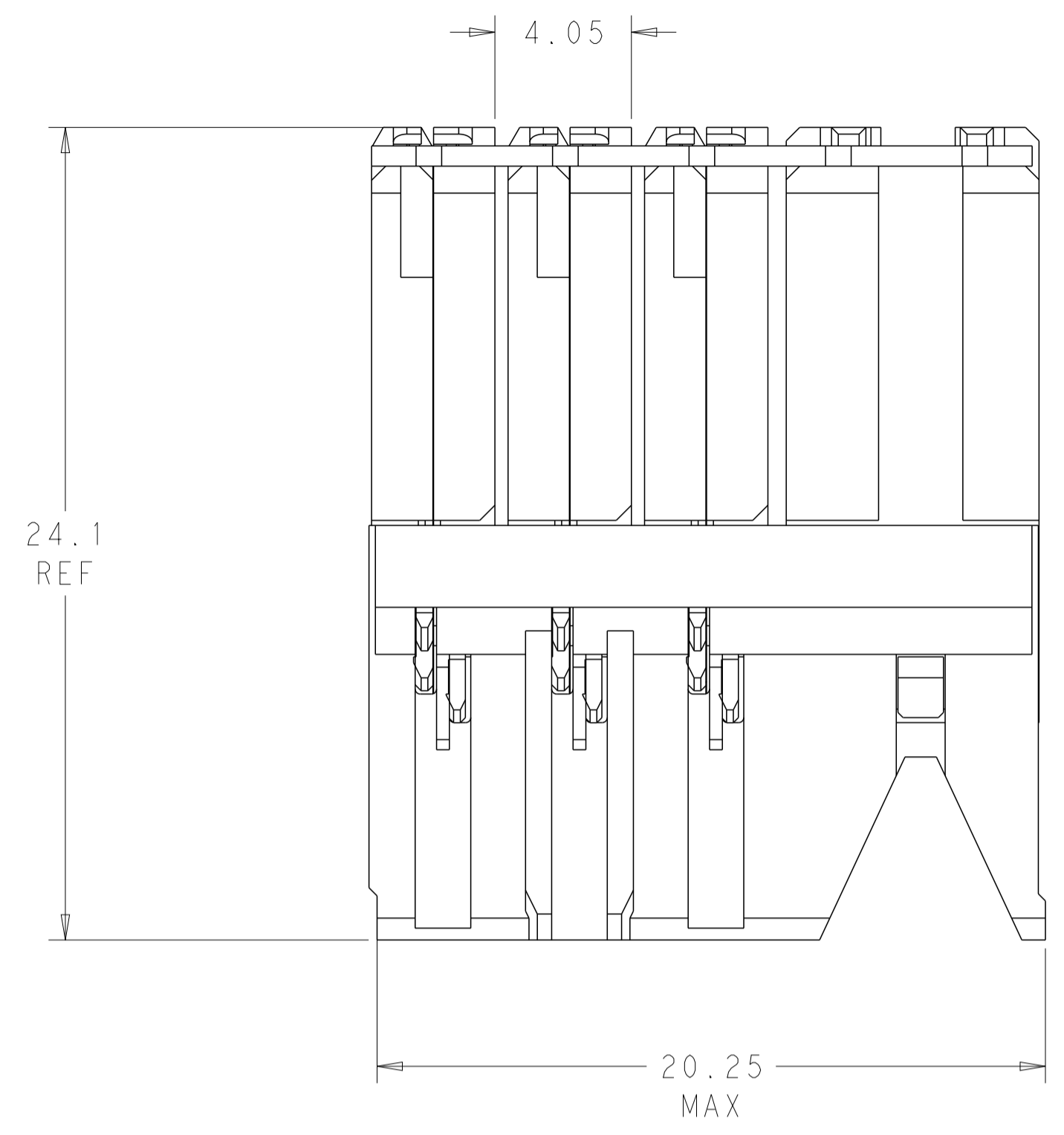
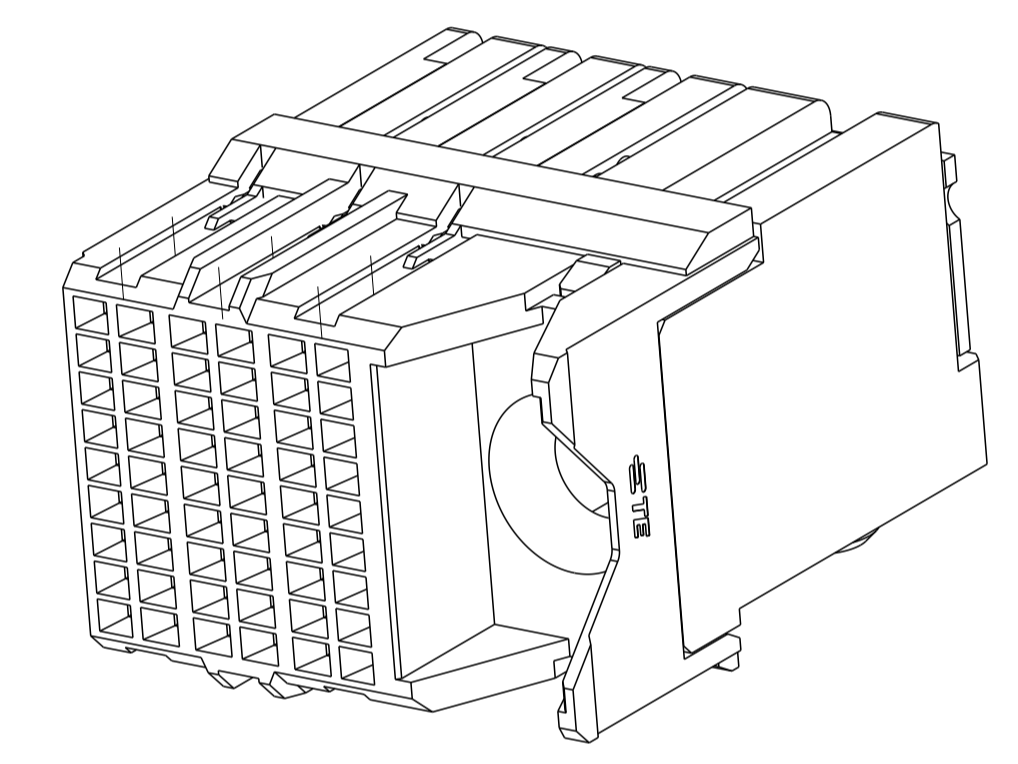


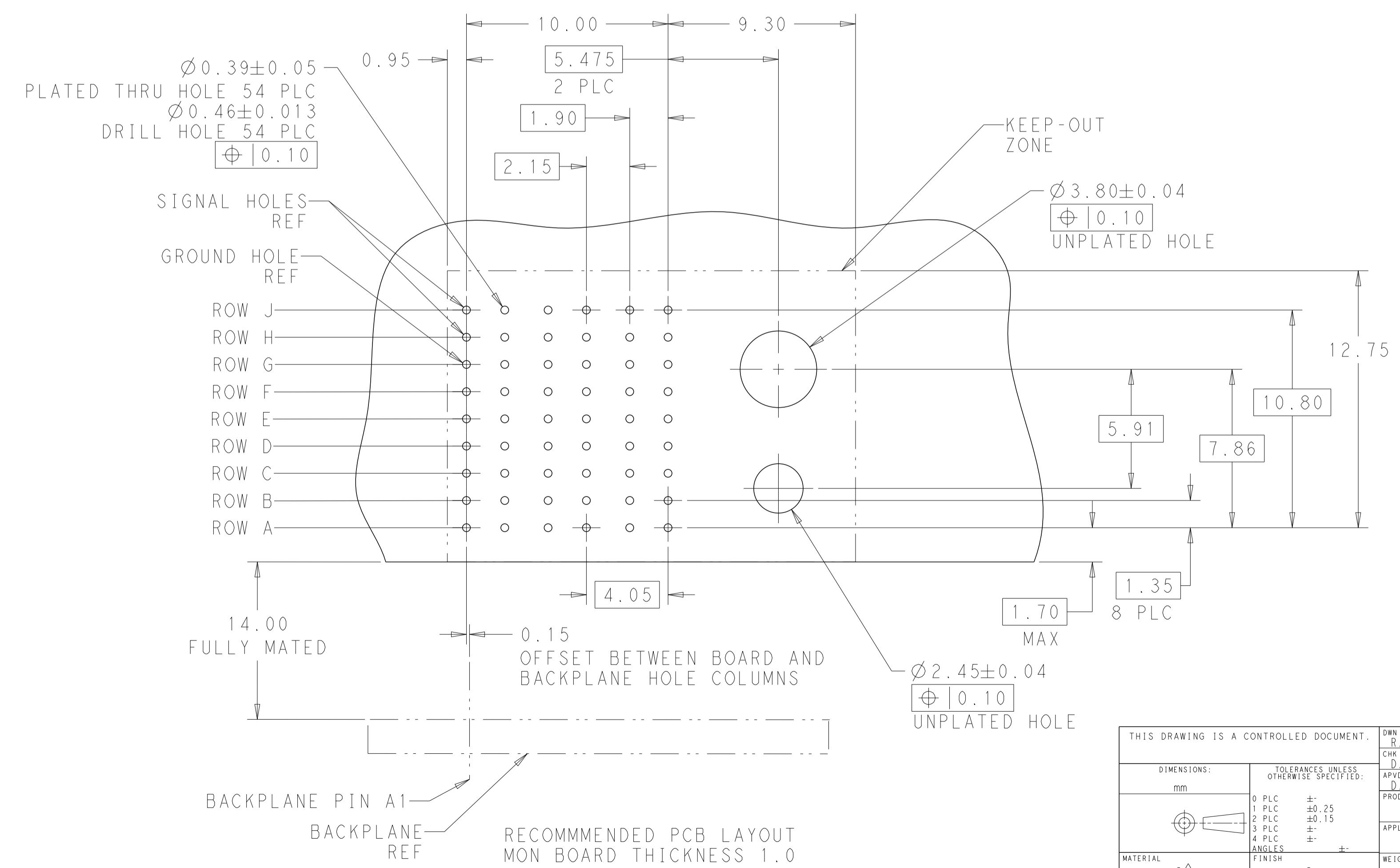
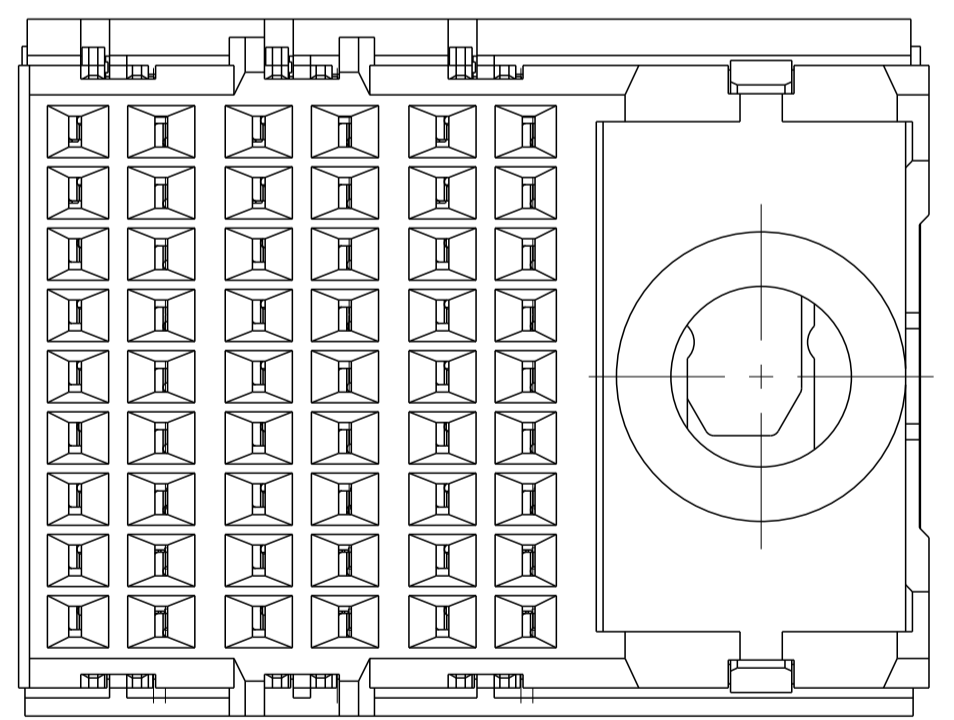
LOC		DIST		REVISIONS			
P	LTN	DESCRIPTION	DATE	DWN	APVD		
B		REVISED PER ECO-12-003566	11APR2012	KH	DD		
B1		REVISED PER ECR-24-207223	06MAY2024	R.S	W.H		



- △ MATERIAL:
HOUSING: LCP, GLASS FILLED, UL94V-0
TERMINALS: HIGH PERFORMANCE COPPER ALLOY
- △ FINISH:
30u" SELECTIVE GOLD IN CONTACT AREA, SELECTIVE TIN ON PCB TAILS, NICKEL OVERALL
- 3. EACH SIGNAL WAFER CONTAINS 2 COLUMNS OF TERMINALS
- △ FINISH:
30u" SELECTIVE GOLD IN CONTACT AREA, SELECTIVE TIN-LEAD ON PCB TAILS, NICKEL OVERALL
- △ CUSTOMER-SUPPLIED SCREW IS NEEDED TO SECURE THE GUIDE MODULE



SCALE 4:1



5	2132423-2
4	2132423-5
2	2132423-1
FINISH	PART NUMBER

THIS DRAWING IS A CONTROLLED DOCUMENT.

DIMENSIONS: mm
 TOLERANCES UNLESS OTHERWISE SPECIFIED:
 0 PLC ±
 1 PLC ±0.25
 2 PLC ±0.15
 3 PLC ±
 4 PLC ±
 ANGLES ° ±
 FINISH -

MATERIAL: △
 FINISH: -
 WEIGHT: -
 CUSTOMER DRAWING

DWN: R. GRZYBOWSKI Z0DEC2011
 CHK: D. DIXON Z0DEC2011
 APVD: D. DIXON Z0DEC2011
 NAME: MAPCT, 3 PR., 6 COL., DAUGHTERCARD, RIGHT GUIDED SIGNAL MODULE, 0.39 EYELET, ORTHOGONAL
 PRODUCT SPEC: -
 APPLICATION SPEC: -
 SIZE: A1
 CAGE CODE: 00779
 DRAWING NO: C=2132423
 RESTRICTED TO: -
 SCALE: 6:1
 SHEET: 1 OF 1
 REV: B1

STC TE Connectivity
 4805 (3/11)