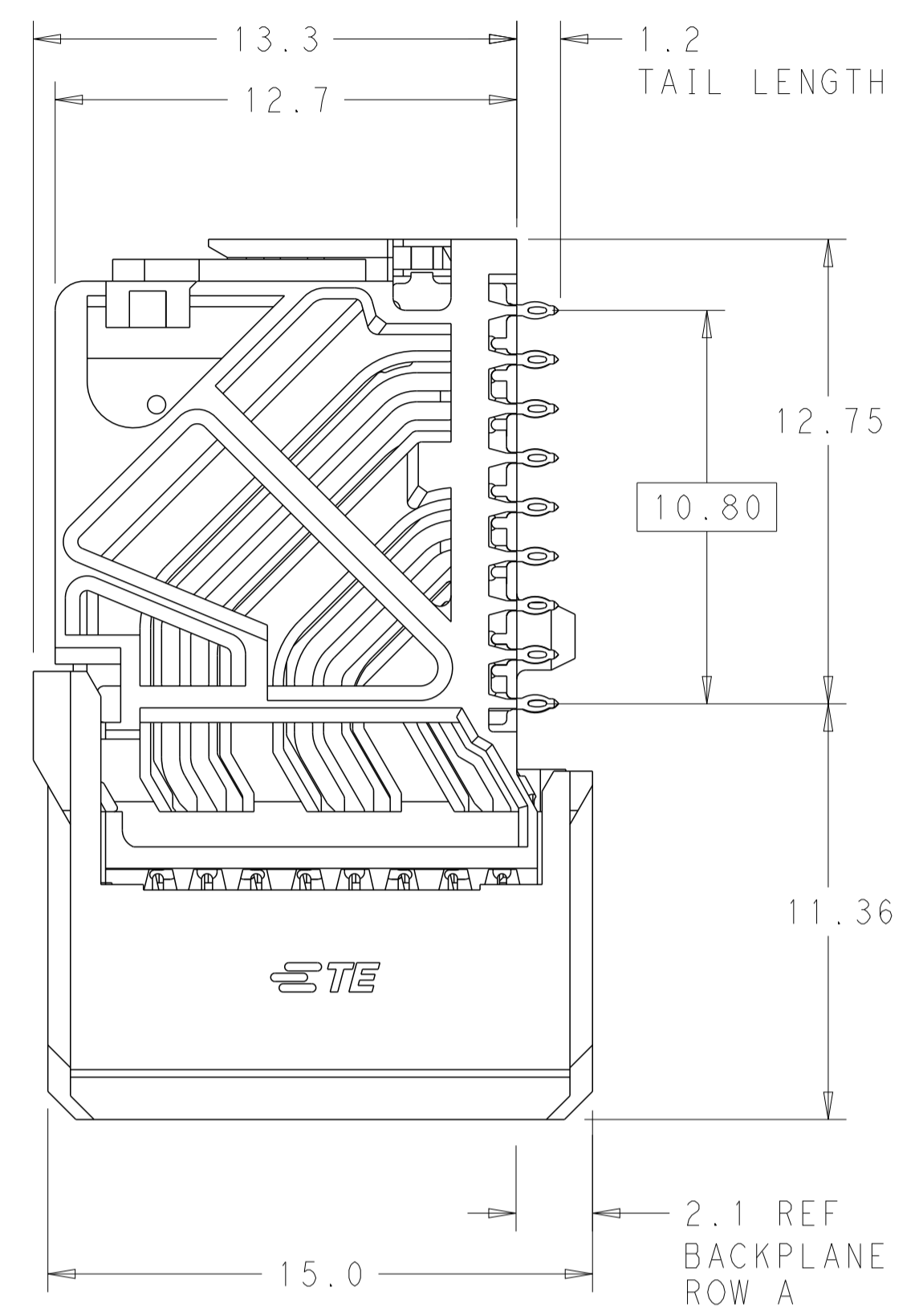
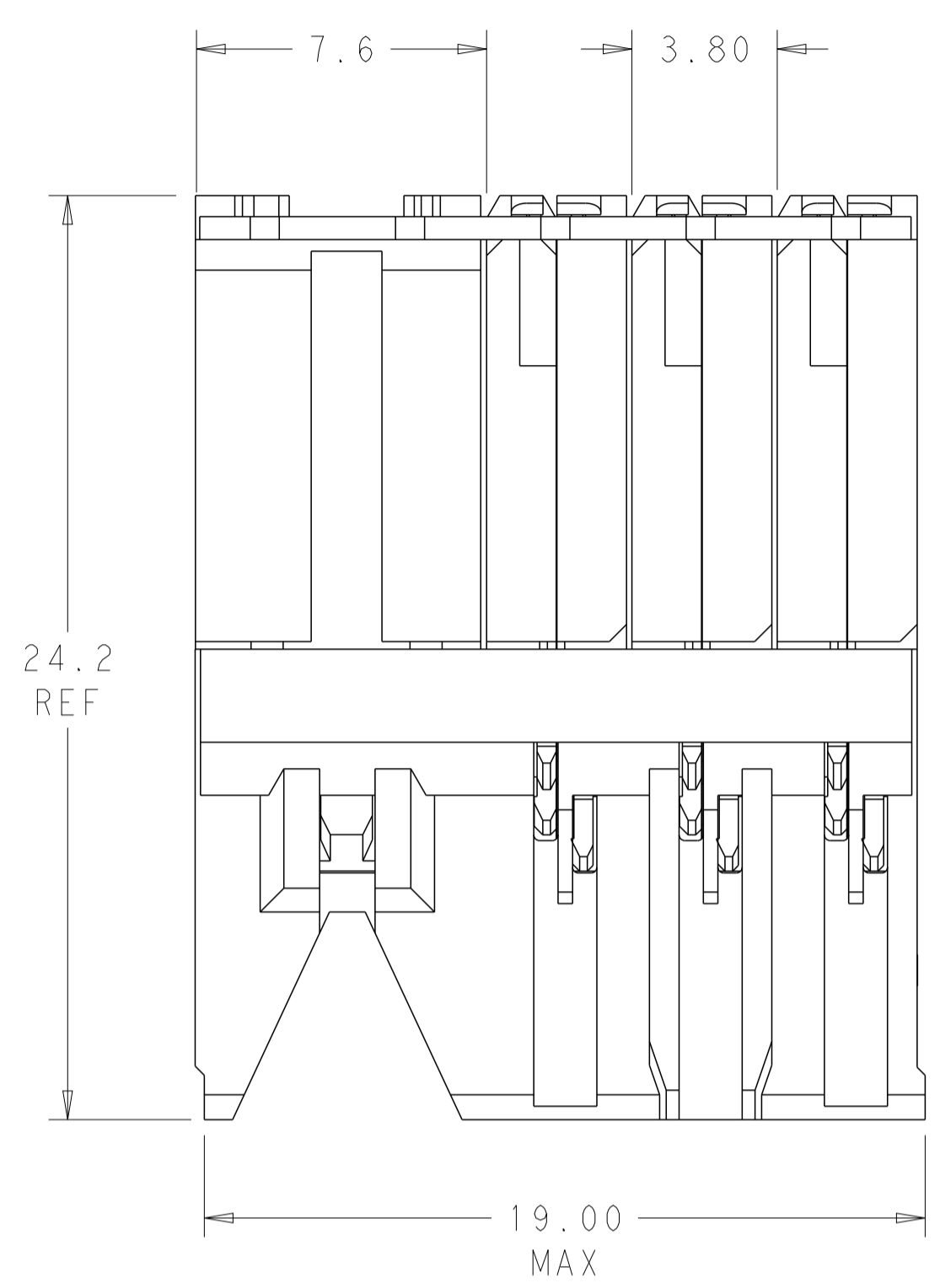
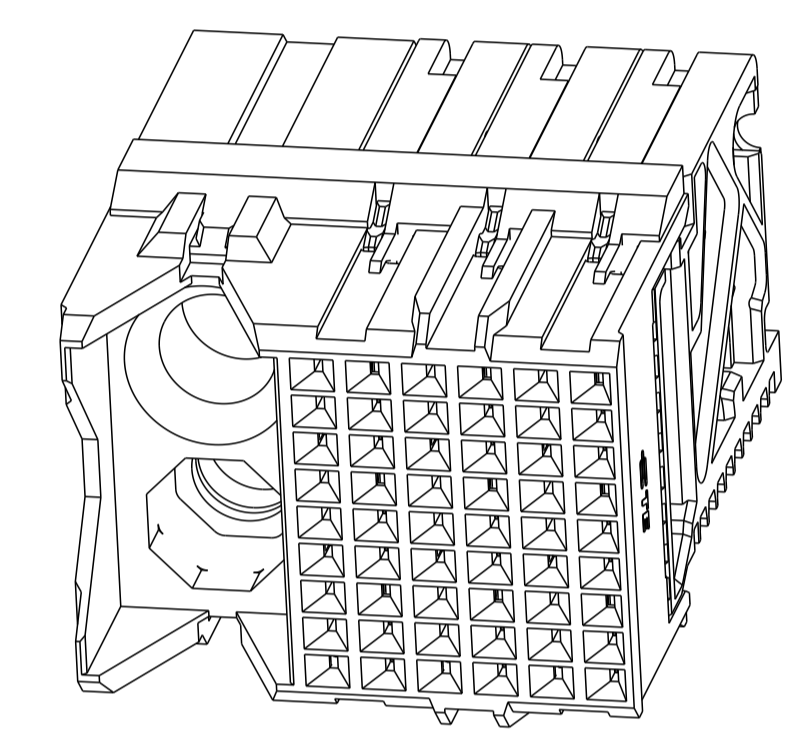


LOC		DIST		REVISIONS			
P	LTN	DESCRIPTION	DATE	DWN	APVD		
A1		REVISED PER ECO-15-003242	23MAR2015	AP	DD		
A2		REVISED PER ECN-24-252171	23FEB2024	AP	RS		

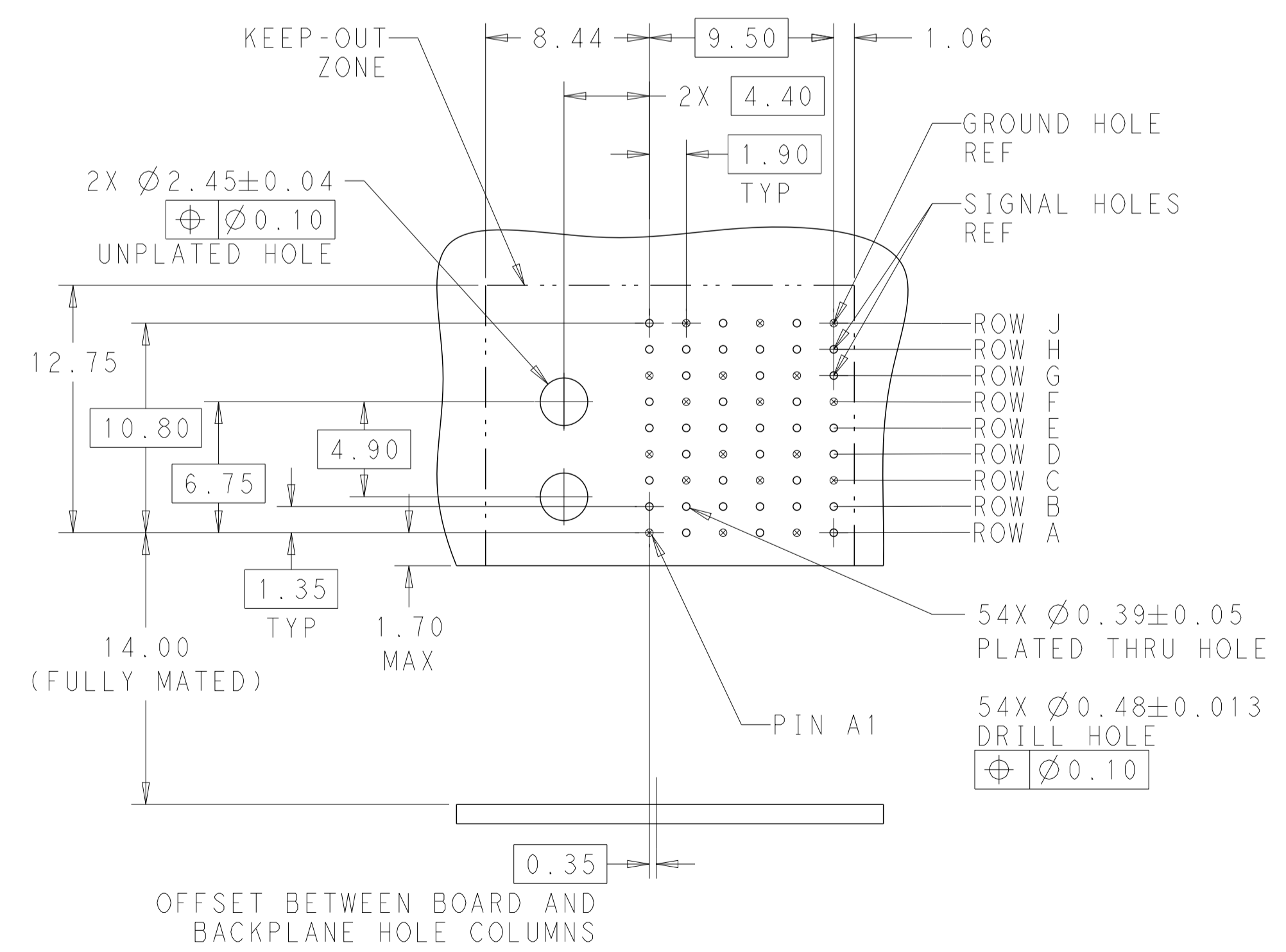
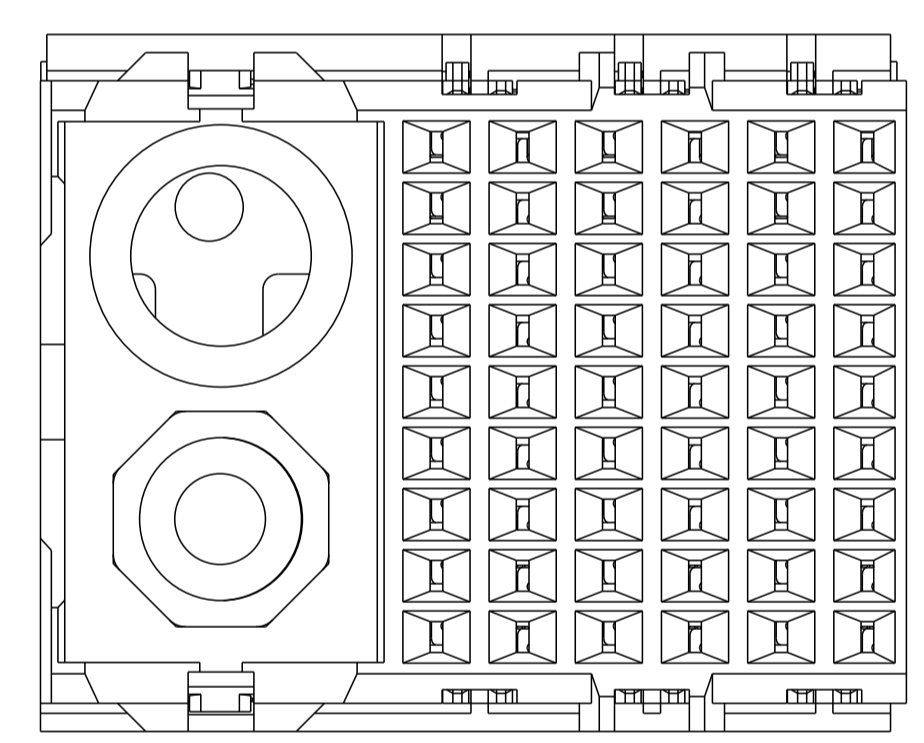


⚠ MATERIAL:
 HOUSING: LCP, GLASS FILLED, UL94V-0.
 TERMINALS: HIGH PERFORMANCE COPPER ALLOY.

⚠ FINISH:
 30µ" SELECTIVE GOLD IN CONTACT AREA. SELECTIVE TIN
 ON PCB TAILS, NICKEL OVERALL.



SCALE 4:1



KEY POSITION CHART	
	NONE
	A
	B
	C
	D
	E
	F
	G
	H

KEY POSITION	FINISH	PART NUMBER
H	⚠	8-2132498-1
G	⚠	7-2132498-1
F	⚠	6-2132498-1
E	⚠	5-2132498-1
D	⚠	4-2132498-1
C	⚠	3-2132498-1
B	⚠	2-2132498-1
A	⚠	1-2132498-1
NONE	⚠	2132498-1

THIS DRAWING IS A CONTROLLED DOCUMENT.

DIMENSIONS: mm

TOLERANCES UNLESS OTHERWISE SPECIFIED:

0 PLC	±
1 PLC	±0.2
2 PLC	±0.10
3 PLC	±
4 PLC	±
ANGLES	±

MATERIAL: SEE TABLE

APPROVED: Z. MILLER 23SEP2010, D. DIXON 23SEP2010

NAME: IMPACT, 3 PAIR, DAUGHTERCARD 6 COLUMN, LEFT GUIDED, SIGNAL MODULE, 0.39 EYELET

SIZE: A1, CAGE CODE: 00779, DRAWING NO: 2132498

SCALE: 6:1, SHEET 1 OF 1, REV A2