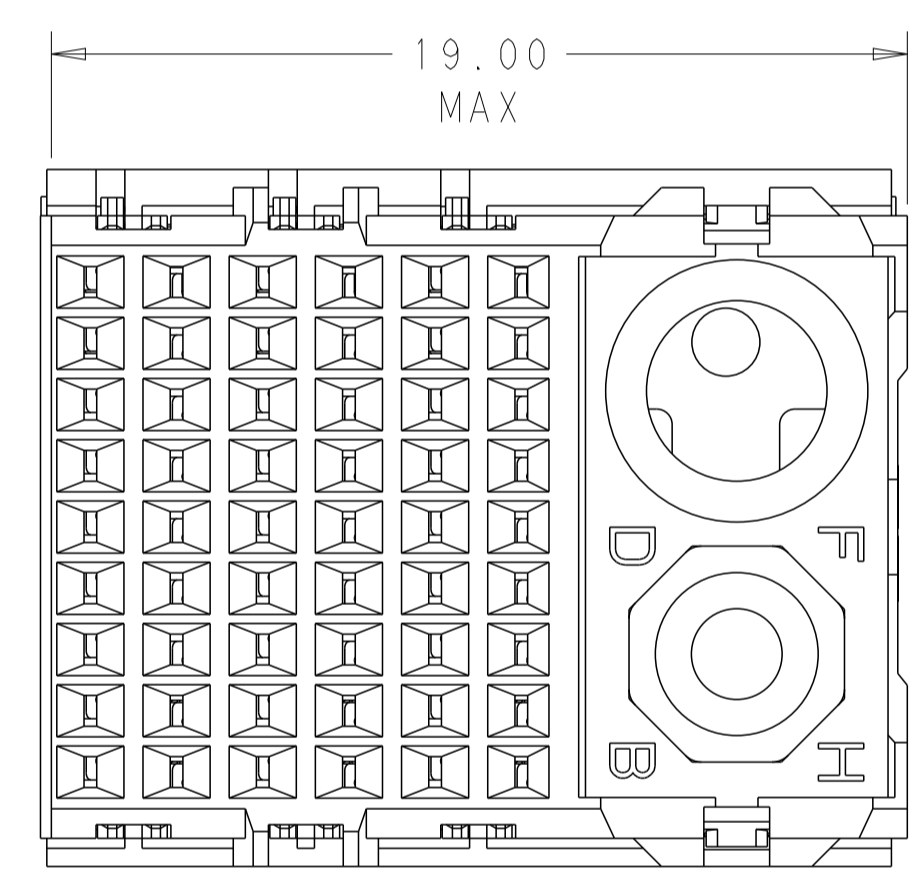
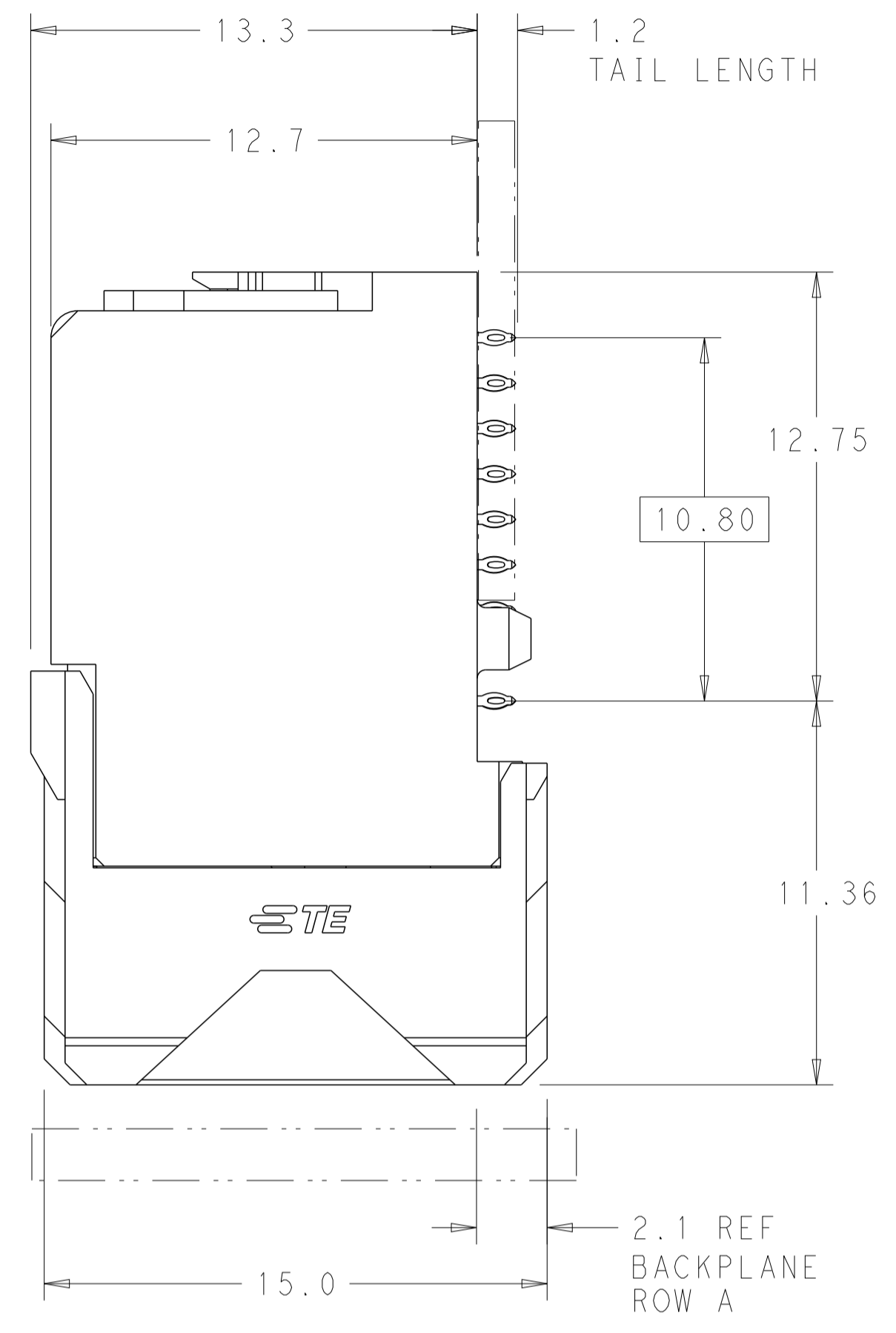
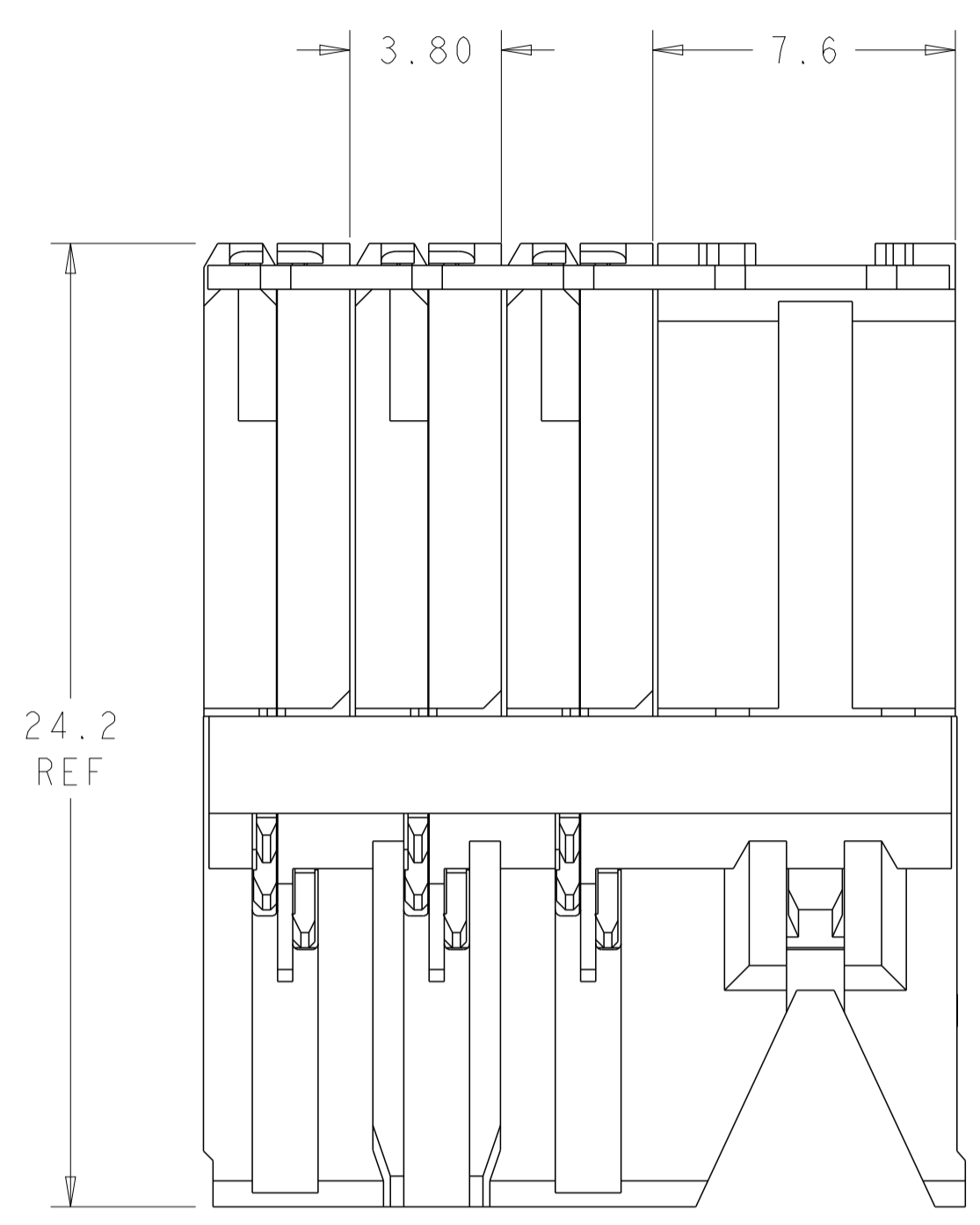
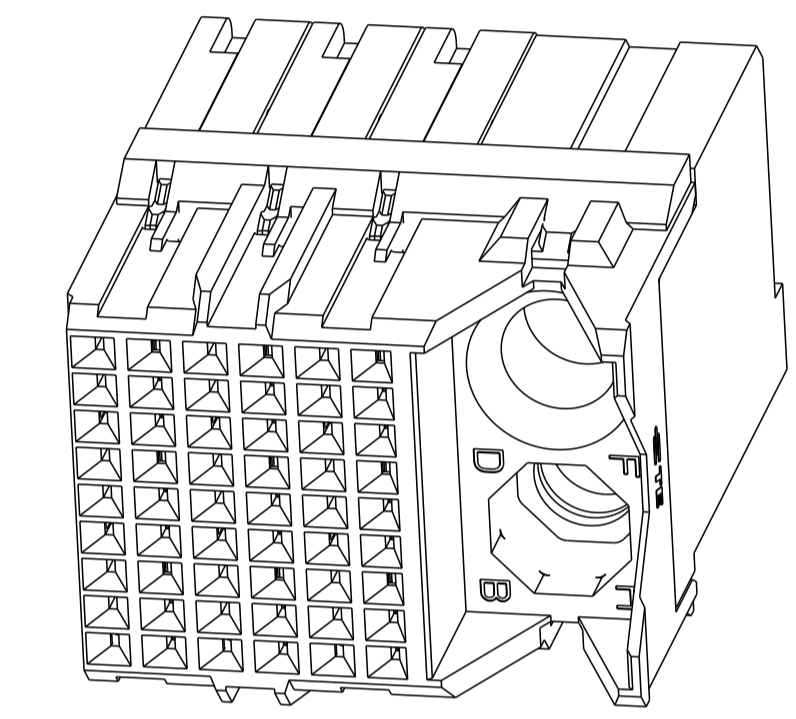


LOC		DIST		REVISIONS			
P	LTN	DESCRIPTION	DATE	OWN	APVD		
B1		REVISED PER ECO-14-018035	11MAR2015	AP	DD		
B2		REVISED PER ECN-24-252171	22FEB2024	AP	RS		



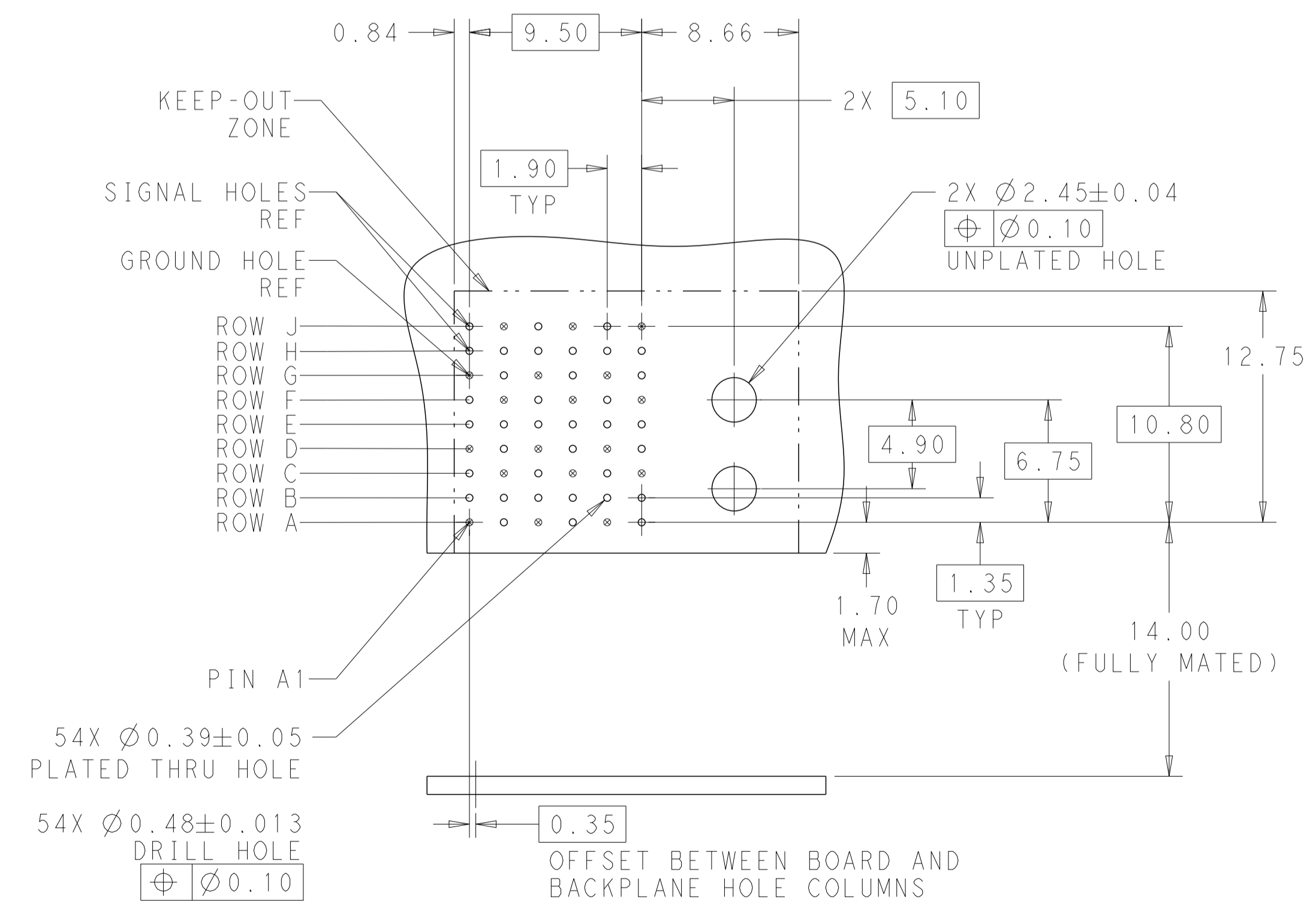
- ⚠ MATERIAL:  
HOUSING: LCP, GLASS FILLED, UL94V-0.  
TERMINALS: HIGH PERFORMANCE COPPER ALLOY.
- ⚠ FINISH:  
30µ" SELECTIVE GOLD IN CONTACT AREA. SELECTIVE TIN ON PCB TAILS, NICKEL OVERALL.
- 3. CONNECTORS SUPPLIED WITH MOUNTING SCREW.



SCALE 4:1

REFER TO WWW.TE.COM FOR PRODUCT AVAILABILITY

KEY POSITION CHART	
	NONE



RECOMMENDED PCB LAYOUT  
 MIN BOARD THICKNESS 1.0

KEY POSITION	FINISH	PART NUMBER
H	⚠	8-2132499-1
G	⚠	7-2132499-1
F	⚠	6-2132499-1
E	⚠	5-2132499-1
D	⚠	4-2132499-1
C	⚠	3-2132499-1
B	⚠	2-2132499-1
A	⚠	1-2132499-1
NONE	⚠	2132499-1

THIS DRAWING IS A CONTROLLED DOCUMENT.		OWN J.K. SHOBER 04FEB2011	TE Connectivity
DIMENSIONS: mm		CHK D. DIXON 04FEB2011	
TOLERANCES UNLESS OTHERWISE SPECIFIED:		APVD D. DIXON 04FEB2011	NAME IMPACT, 3 PAIR, DAUGHTERCARD 6 COLUMN, RIGHT GUIDED, SIGNAL MODULE, 0.39 EYELET SIZE CAGE CODE DRAWING NO RESTRICTED TO A100779C=2132499
0 PLC ± 1 PLC ±0.2 2 PLC ±0.13 3 PLC ± 4 PLC ± ANGLES ± FINISH SEE TABLE		PRODUCT SPEC APPLICATION SPEC WEIGHT CUSTOMER DRAWING	
MATERIAL		SCALE 6:1	SHEET 1 OF 1 REV B2