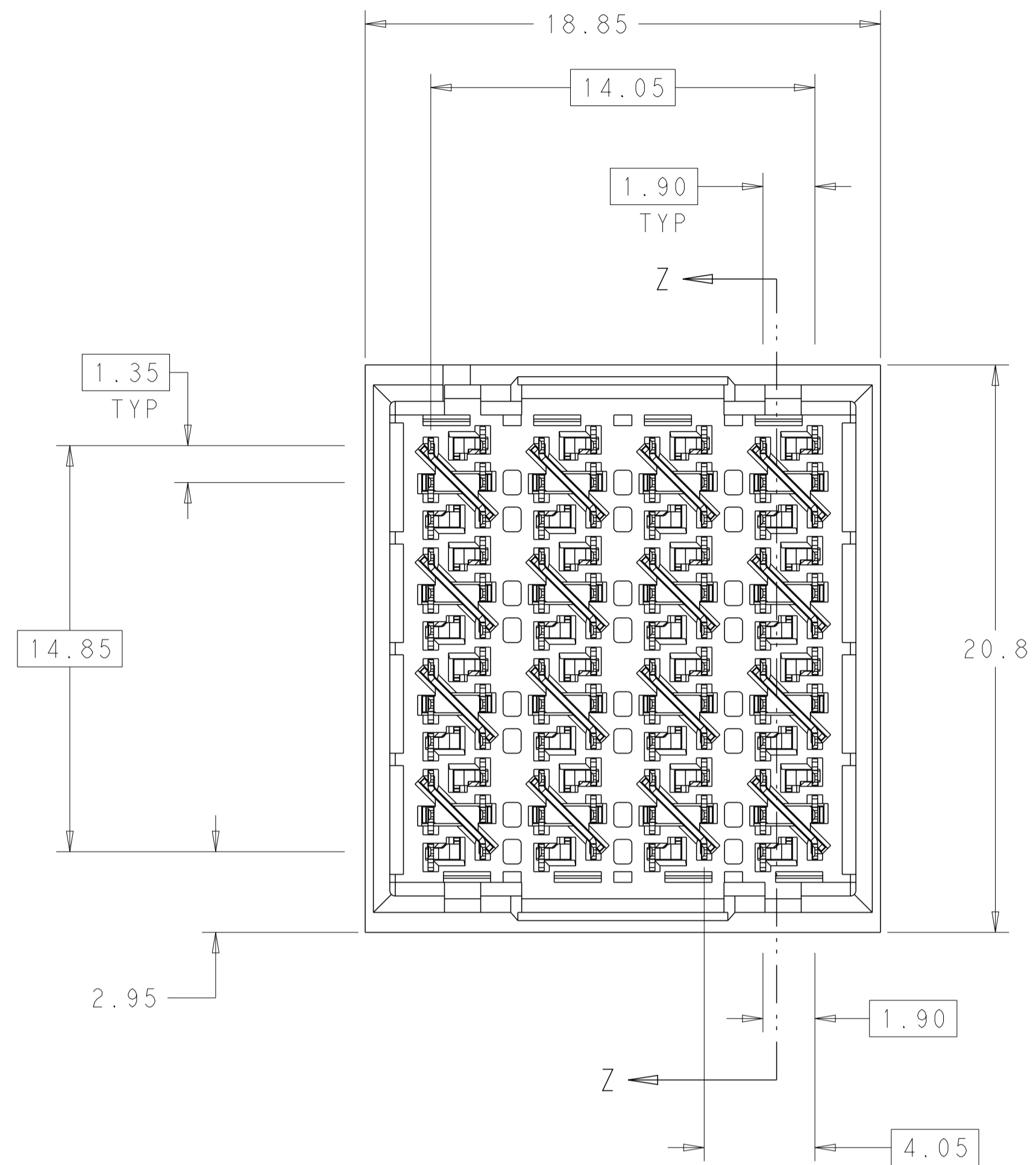
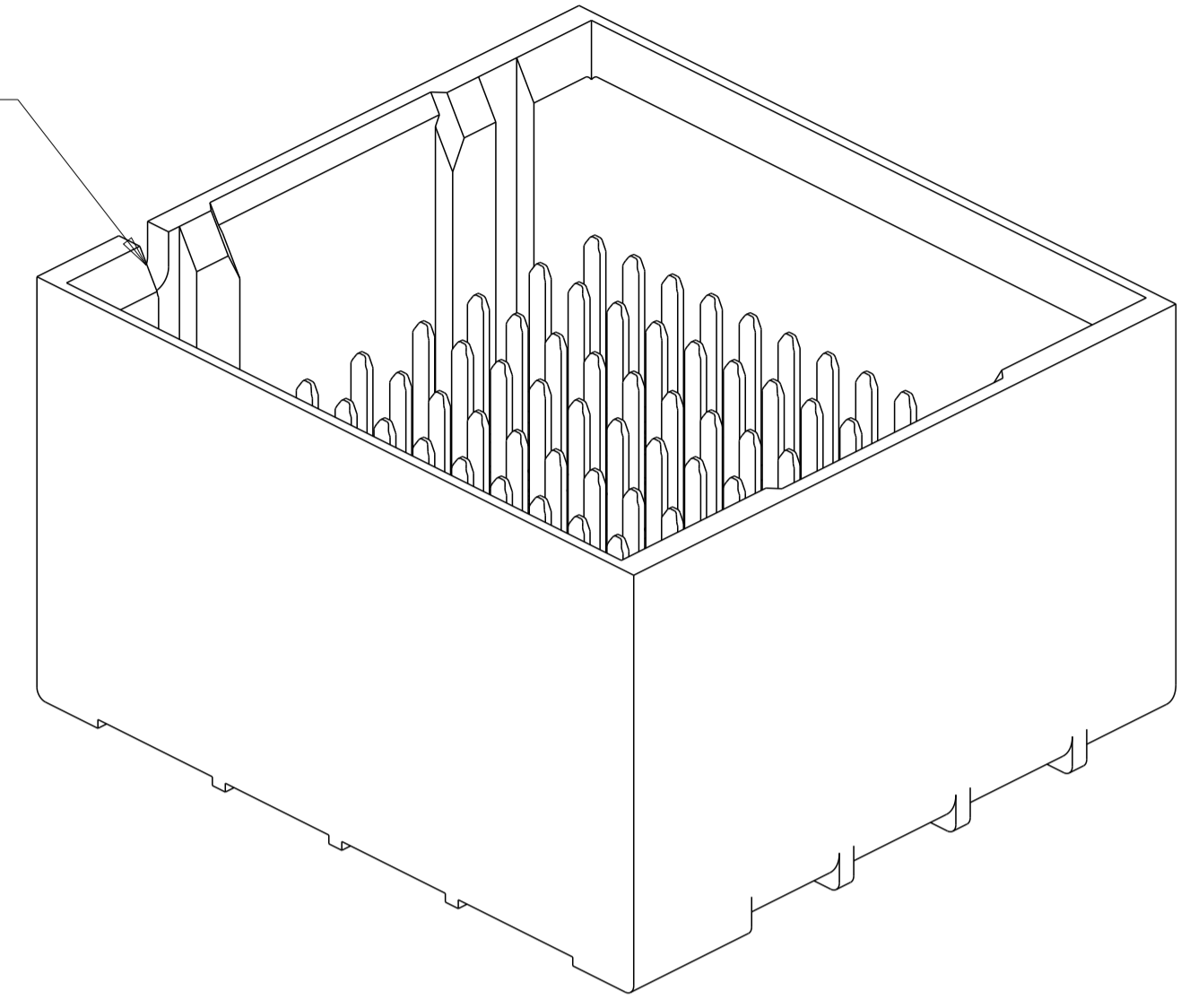


REVISIONS				
P	LTN	DESCRIPTION	DATE	APVD
B		REVISED PER ECO-14-013271	08SEP2014	AP DD
B1		REVISED PER ECN-24-252036	25MAR2024	AP RS

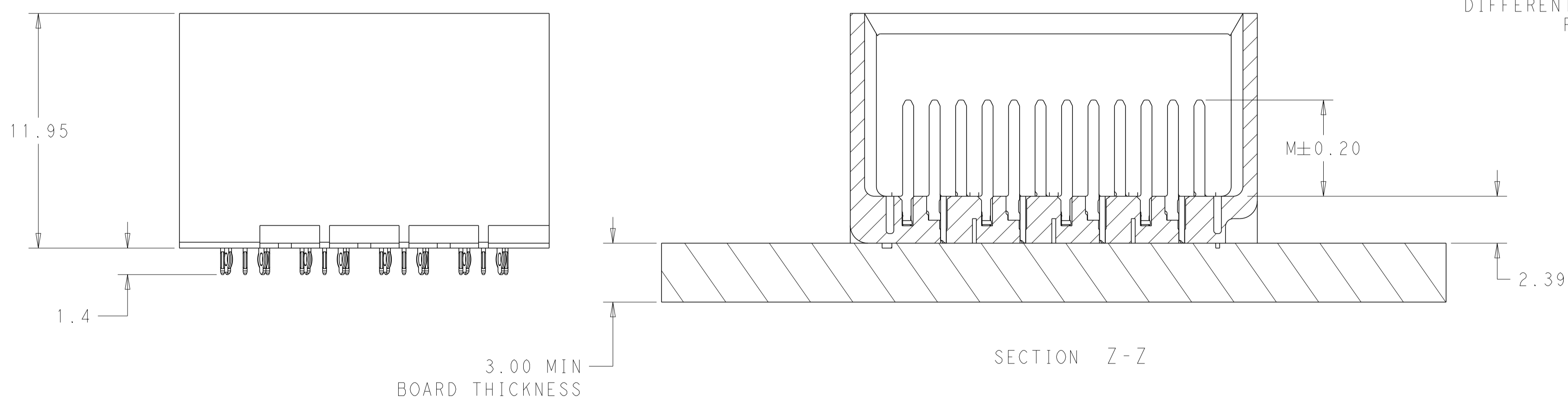
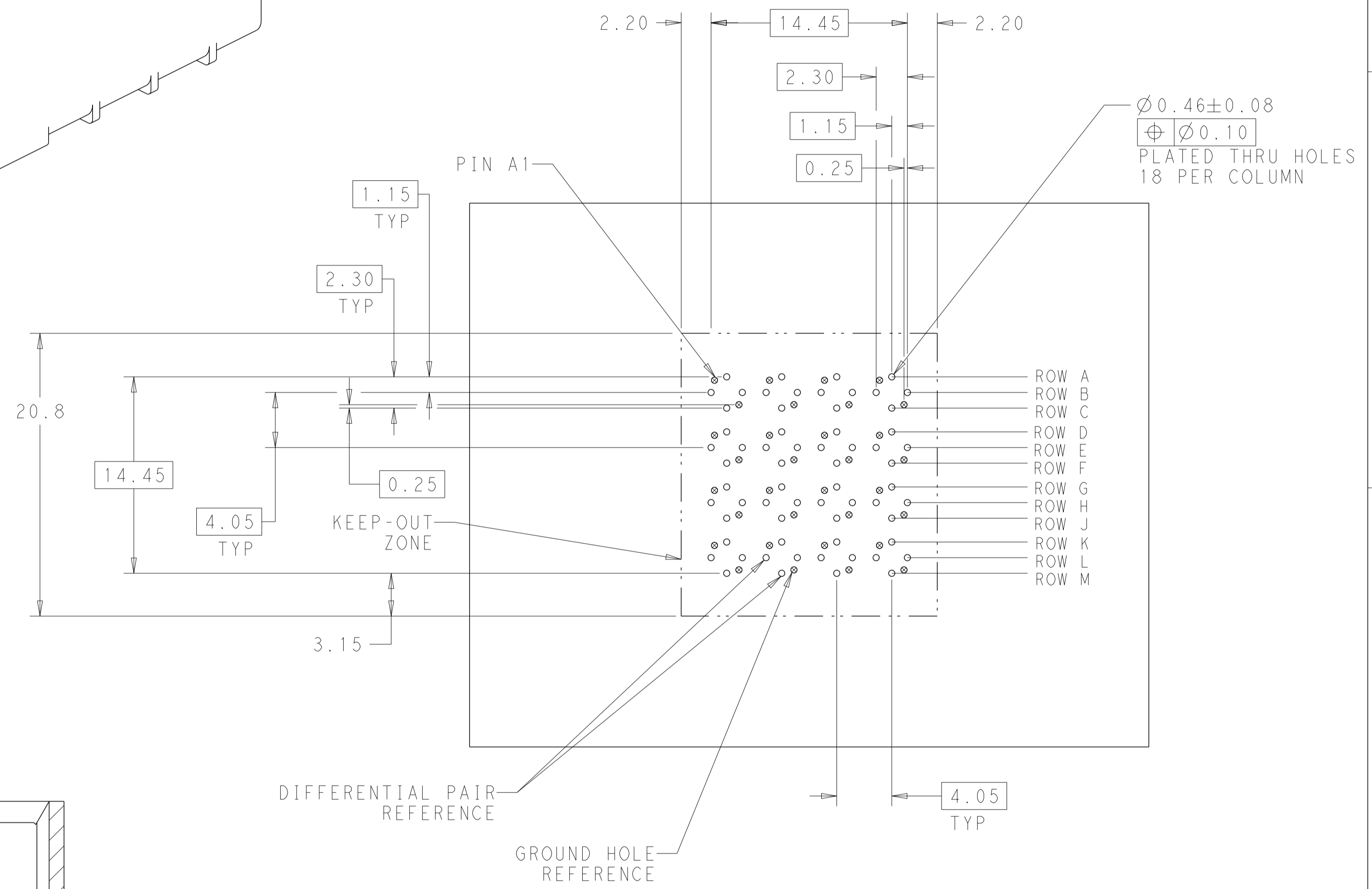


NOTCH DESIGNATES ROW A



△ MATERIAL:
 HOUSING: LCP GLASS FILLED UL94V-0
 TERMINALS: HIGH PERFORMANCE COPPER ALLOY

△ FINISH:
 30μ" MIN GOLD IN CONTACT AREA
 SELECTIVE TIN ON PCB TAILS.
 NICKEL OVERALL.



LEFT GUIDED
 BACKPLANE HOLE PATTERN
 (CONNECTOR SIDE)
 SCALE 4:1

	△	5.5	2132623-2
OBSOLETE	△	4.9	2132623-1
	FINISH	DIM M	PART NUMBER

THIS DRAWING IS A CONTROLLED DOCUMENT.		OWN J. K. SHOBER 03JUN2010	NAME	
DIMENSIONS:		CHK J. EARY 03JUN2010	IMPACT, 4 PAIR, 8 COLUMN, UNGUIDED DUAL END WALL ASSEMBLY, ORTHOGONAL, 0.46 PTH	
TOLERANCES UNLESS OTHERWISE SPECIFIED:		APVD J. EARY 03JUN2010	PRODUCT SPEC	
mm			APPLICATION SPEC	
0 PLC	±		SIZE CAGE CODE DRAWING NO RESTRICTED TO	
1 PLC	±0.25		A100779C=2132623	
2 PLC	±0.13		SCALE 6:1 SHEET 1 OF 1 REV B1	
3 PLC	±			
4 PLC	±			
ANGLES	±0			
FINISH		WEIGHT		
SEE TABLE		CUSTOMER DRAWING		