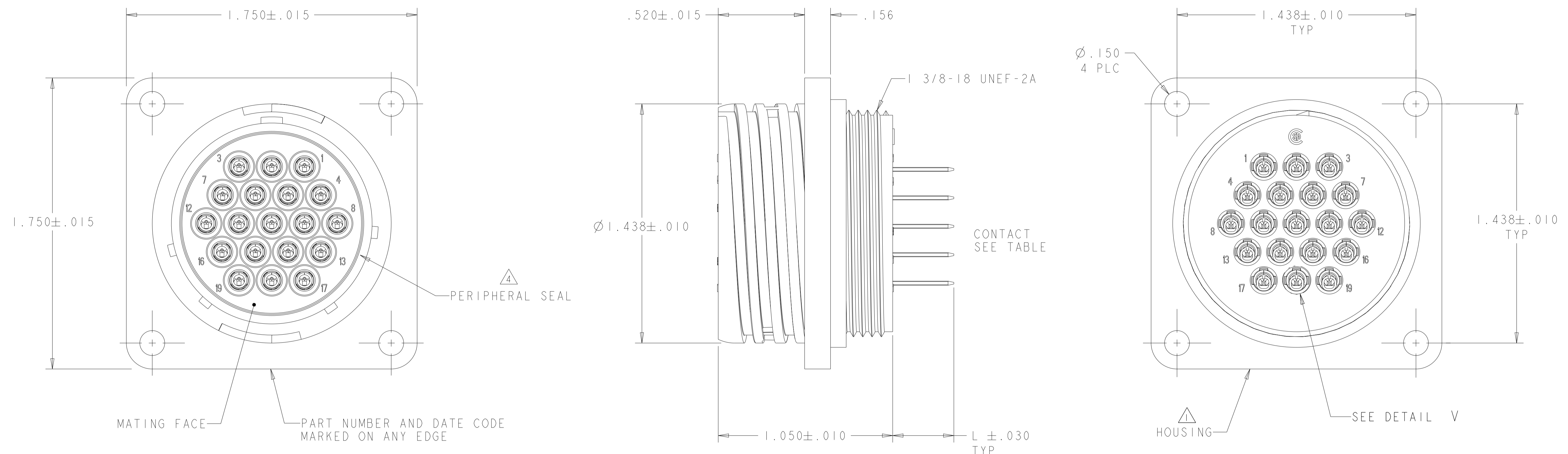


REVISIONS				
P	LTN	DESCRIPTION	DATE	APVD
P2		REVISED PER ECR-22-150475	29AUG2022	RK MZ



- △ HOUSING: NYLON, UL 94 V-0 RATED, COLOR: BLACK.
- △ CONTACT:  
BODY - BRASS, .000030 MIN GOLD FOR A LENGTH OF .200 MIN FROM MATING END, GOLD FLASH ON REMAINDER, BOTH OVER .000050 MIN NICKEL.  
POST - BRASS, .000100 MIN TIN-LEAD OVER .000050 MIN NICKEL.
- △ CONTACT:  
BODY - BRASS, .000100 MIN TIN-LEAD OVER .000050 MIN NICKEL.  
POST - BRASS, .000100 MIN TIN-LEAD OVER .000050 MIN NICKEL.
- △ PERIPHERAL SEAL: ELASTOMER, COLOR: BLACK.
- △ .009 MAXIMUM CONTACT LEAD-IN SEAM GAP PERMISSIBLE ON MATING FACE END.
- △ CONTACT:  
BODY - BRASS, .000030 MIN GOLD OVER .000030 MIN NICKEL.  
POST - BRASS, .000100 MIN TIN-LEAD OVER .000050 MIN NICKEL.
- △ CONTACT:  
BODY - BRASS, .000100 MIN TIN OVER .000050 MIN NICKEL.  
POST - BRASS, .000100 MIN TIN OVER .000050 MIN NICKEL.
- △ CONTACT:  
BODY - BRASS, .000030 MIN GOLD FOR A LENGTH OF .200 MIN FROM MATING END, GOLD FLASH ON REMAINDER, BOTH OVER .000050 MIN NICKEL.  
POST - BRASS, .000100 MIN TIN OVER .000050 MIN NICKEL.
- △ OBSOLETE PARTS

	YES	.368	△ 8	1-4, 7, 8, 10-12, 14-19	1-213781-0
OBSOLETE	NO	.557	△ 8	ALL	<del>1-213781-9</del>
OBSOLETE	NO	.348	△ 7	ALL	<del>1-213781-8</del>
	YES	.368	△ 7	1-4, 7, 8, 10-12, 16-19	213781-7
△ OBSOLETE	YES	.368	△ 6	1-4, 7, 8, 10-12, 16-19	<del>1-213781-6</del>
OBSOLETE	YES	.368	△ 3	1-4, 7, 8, 10-12, 16-19	<del>1-213781-5</del>
OBSOLETE	YES	.368	△ 3	1-4, 7, 8, 10-12, 16-19	<del>1-213781-4</del>
OBSOLETE	YES	.368	△ 3	1-4, 7, 8, 10-12, 16-19	<del>1-213781-2</del>
OBSOLETE	NO	.557	△ 2	ALL	<del>1-213781-1</del>
	PERIPHERAL SEAL	L	CONTACT FINISH	SELECT LOADED IN POSITIONS	PART NUMBER

THIS DRAWING IS A CONTROLLED DOCUMENT.

OWN: S. WELDON ZIMAY2003  
CHK: S. HEADER ZIMAY2003  
APVD: S. HEADER ZIMAY2003

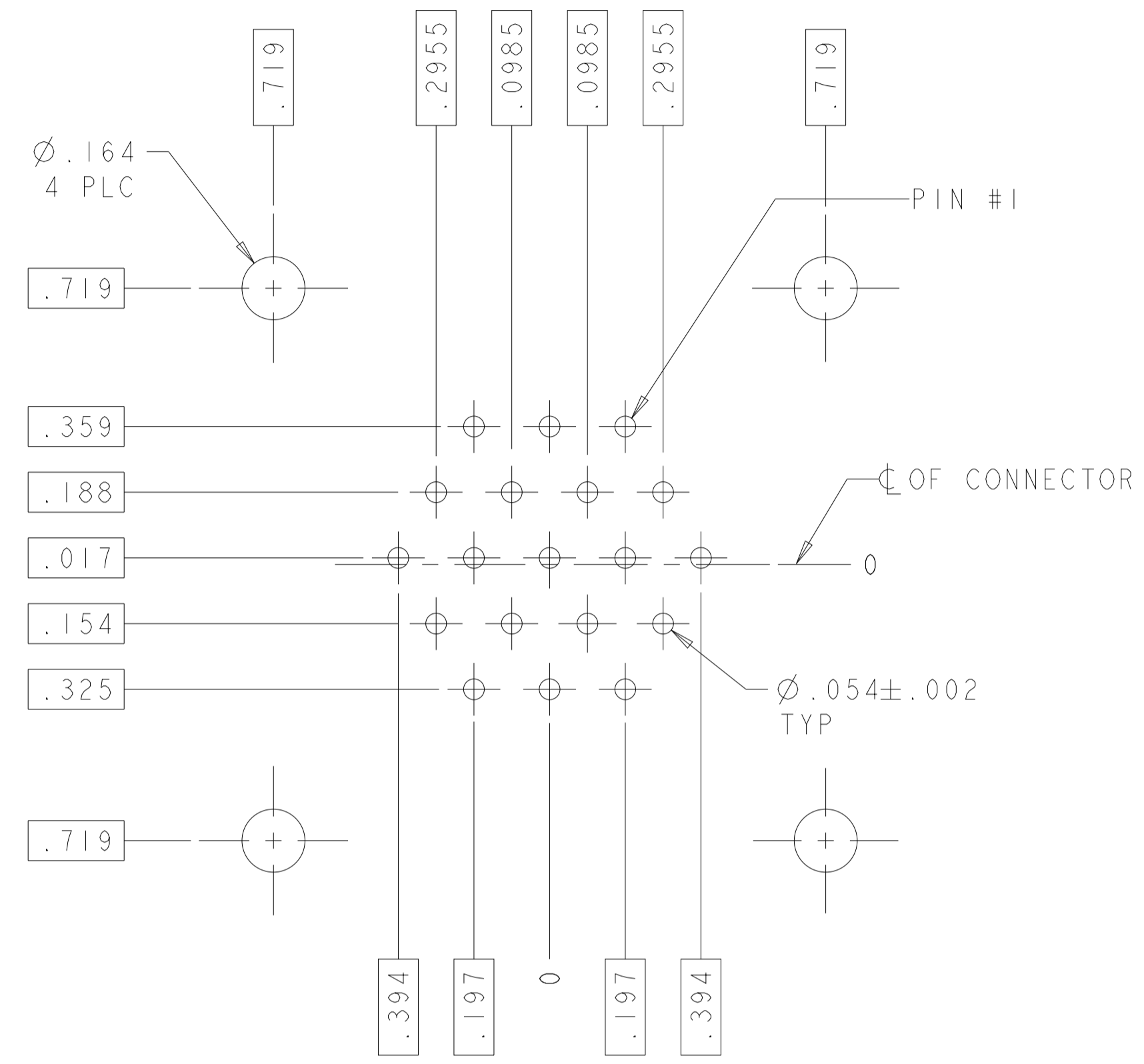
DIMENSIONS: INCHES  
TOLERANCES UNLESS OTHERWISE SPECIFIED:  
0 PLC ±.0  
2 PLC ±.00  
3 PLC ±.000  
4 PLC ±.0000  
ANGLES ±.0000  
FINISH

MATERIAL: -  
WEIGHT: -  
CUSTOMER DRAWING

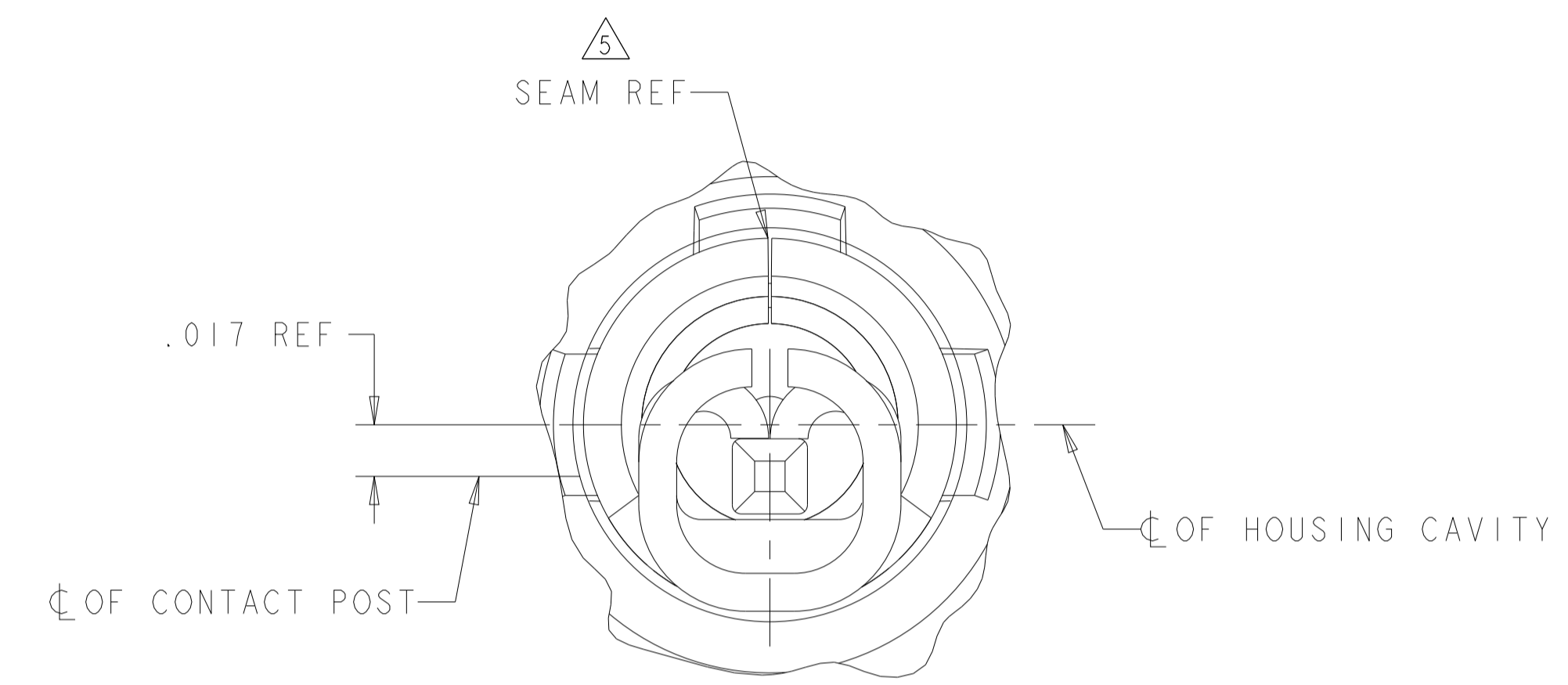
NAME: RECEPTACLE ASSEMBLY, POSTED, REVERSE SEX, SERIES 1, 23-19, CPC  
APPLICATION SPEC: 108-10024  
SIZE: 114-10038  
SCALE: 3:1  
SHEET 1 OF 2  
REV P2

RESTRICTED TO: A | 00779 | 213781

REVISIONS				
P	LTN	DESCRIPTION	DATE	APVD
-		SEE SHEET 1	-	-



RECOMMENDED PC BOARD LAYOUT



DETAIL V  
SCALE 20:1

THIS DRAWING IS A CONTROLLED DOCUMENT.		DWN S. WELDON ZIMAY2003																	
DIMENSIONS: INCHES		CHK S. HEADER ZIMAY2003																	
<table border="1"> <tr> <th>TOLERANCES UNLESS OTHERWISE SPECIFIED:</th> <th></th> </tr> <tr> <td>0 PLC</td> <td>±.0</td> </tr> <tr> <td>1 PLC</td> <td>±0.0</td> </tr> <tr> <td>2 PLC</td> <td>±0.00</td> </tr> <tr> <td>3 PLC</td> <td>±0.000</td> </tr> <tr> <td>4 PLC</td> <td>±0.0000</td> </tr> <tr> <td>ANGLES</td> <td>±.0000</td> </tr> <tr> <td>FINISH</td> <td>±.0000</td> </tr> </table>		TOLERANCES UNLESS OTHERWISE SPECIFIED:		0 PLC	±.0	1 PLC	±0.0	2 PLC	±0.00	3 PLC	±0.000	4 PLC	±0.0000	ANGLES	±.0000	FINISH	±.0000	APVD S. HEADER ZIMAY2003	NAME RECEPTACLE ASSEMBLY, POSTED, REVERSE SEX, SERIES 1, 23-19, CPC
TOLERANCES UNLESS OTHERWISE SPECIFIED:																			
0 PLC	±.0																		
1 PLC	±0.0																		
2 PLC	±0.00																		
3 PLC	±0.000																		
4 PLC	±0.0000																		
ANGLES	±.0000																		
FINISH	±.0000																		
MATERIAL		PRODUCT SPEC 108-10024	RESTRICTED TO																
		APPLICATION SPEC 114-10038	SIZE CAGE CODE DRAWING NO																
		WEIGHT	A 00779 C=213781																
		CUSTOMER DRAWING	SCALE 3:1 SHEET 2 OF 2 REV P2																