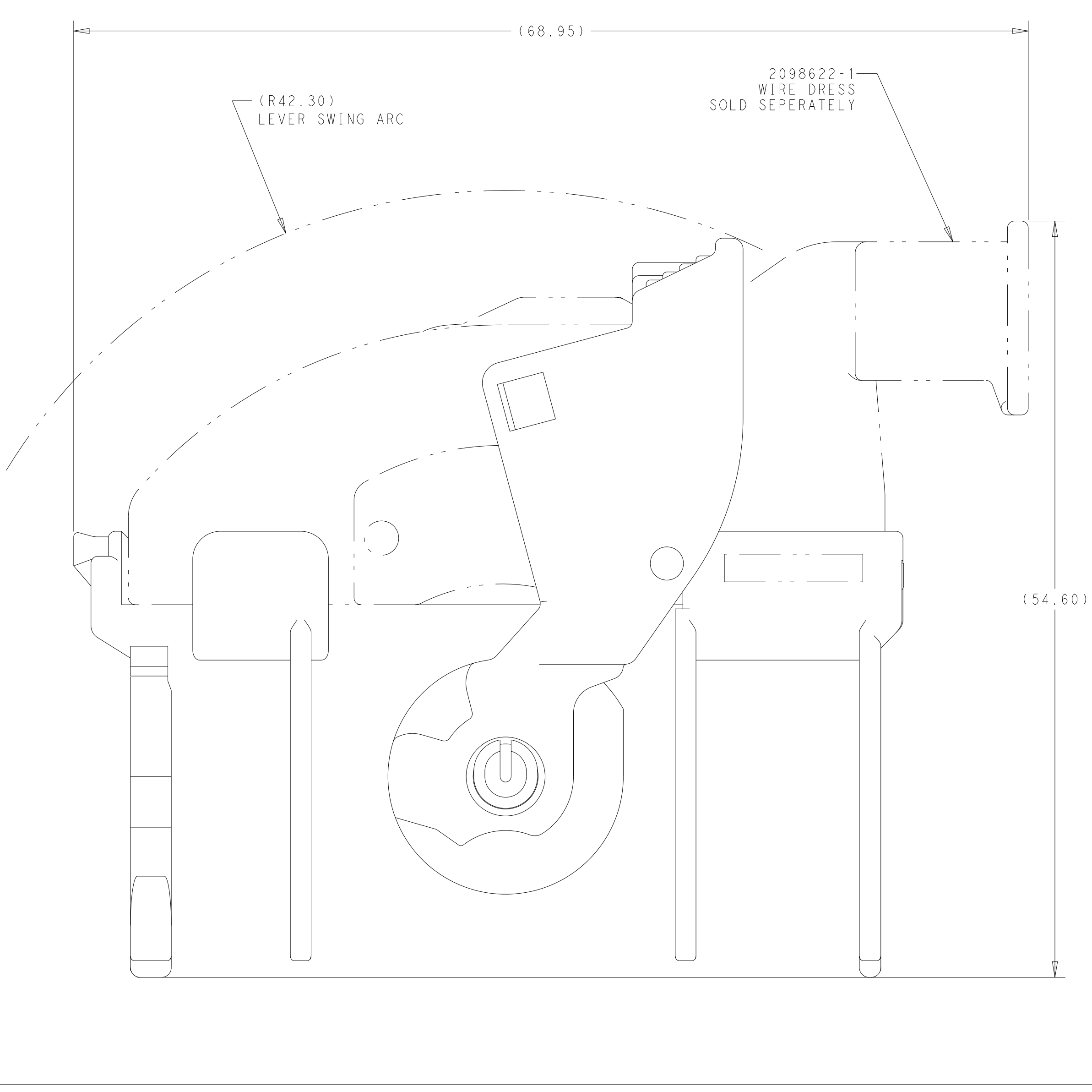
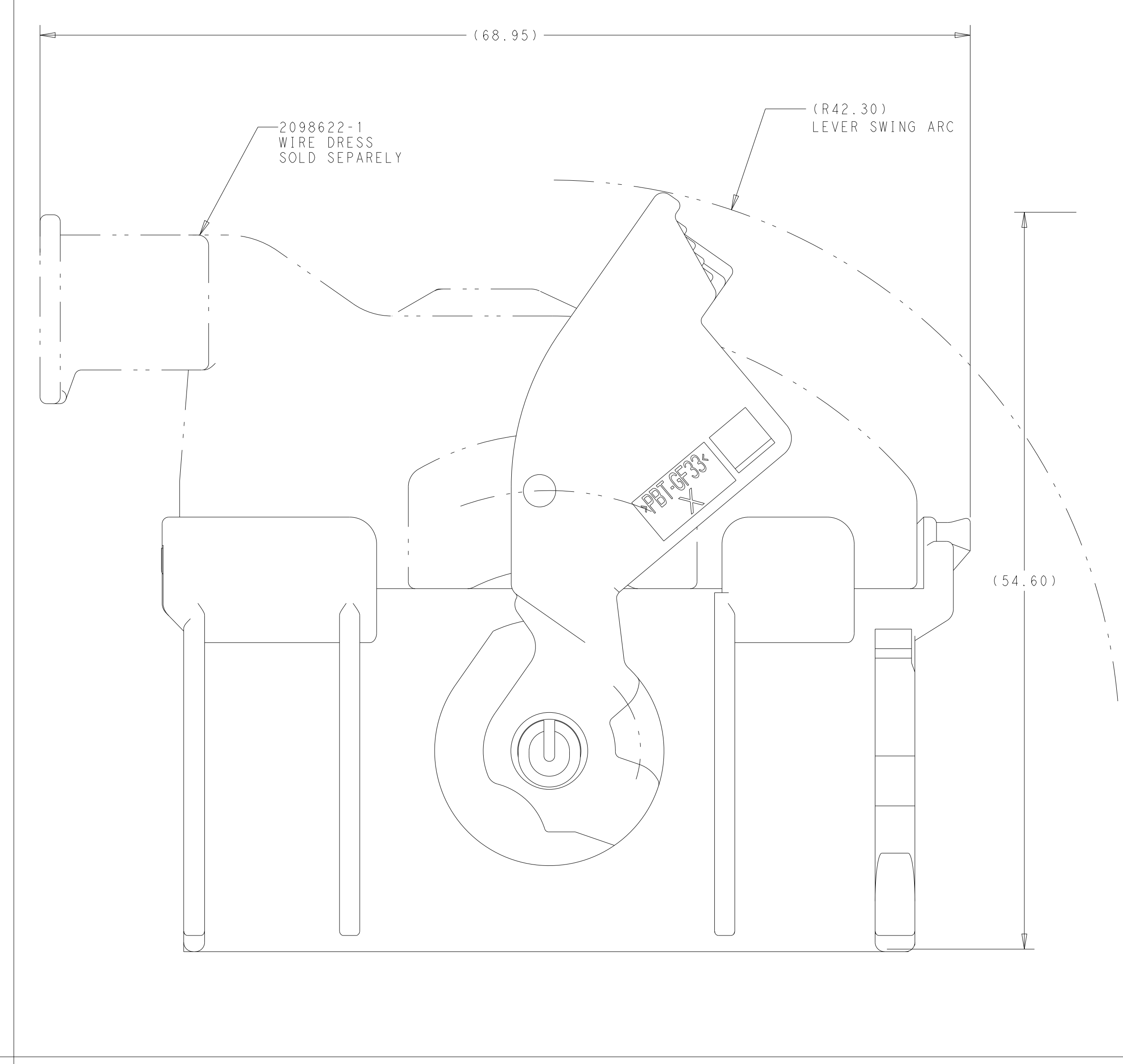


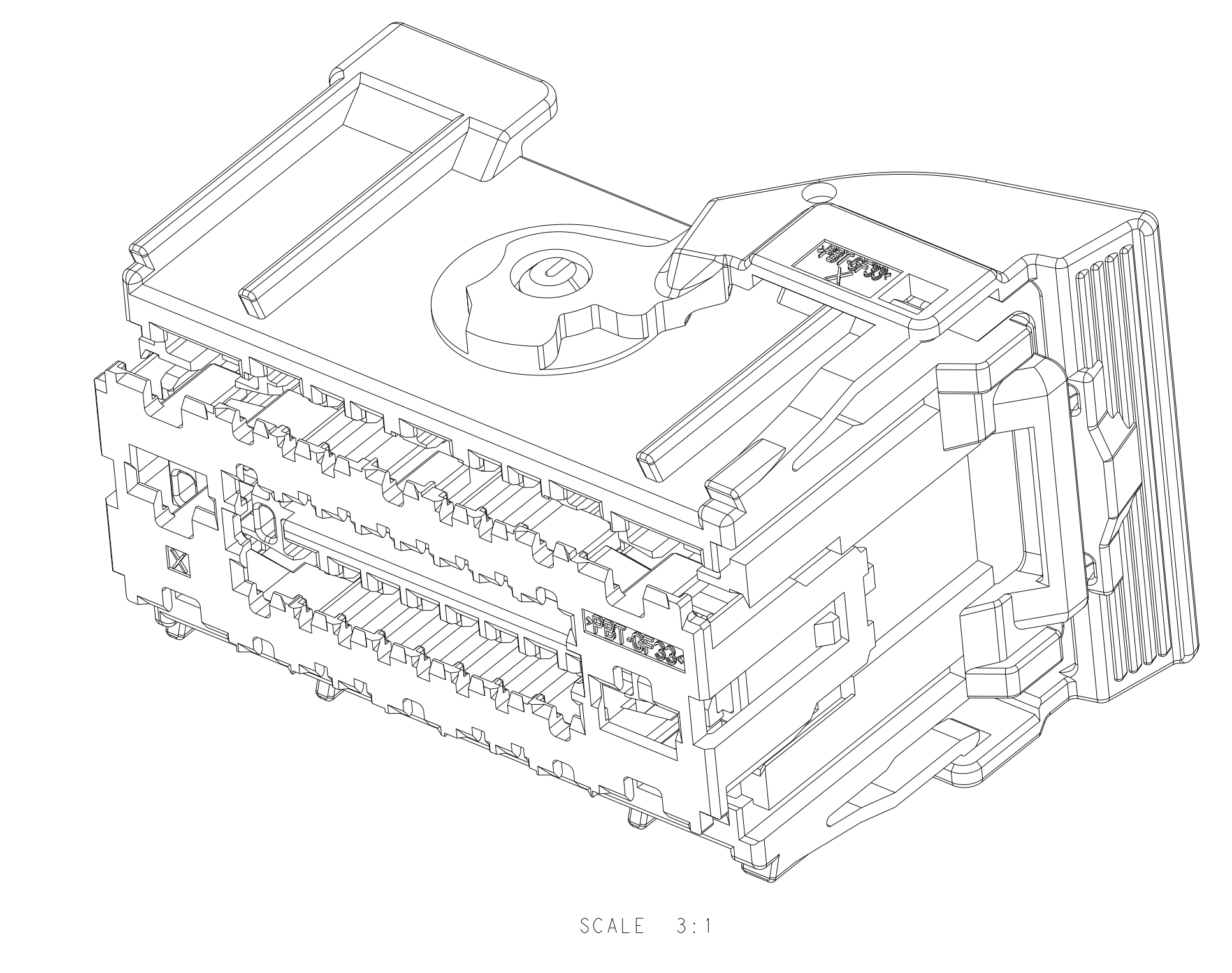
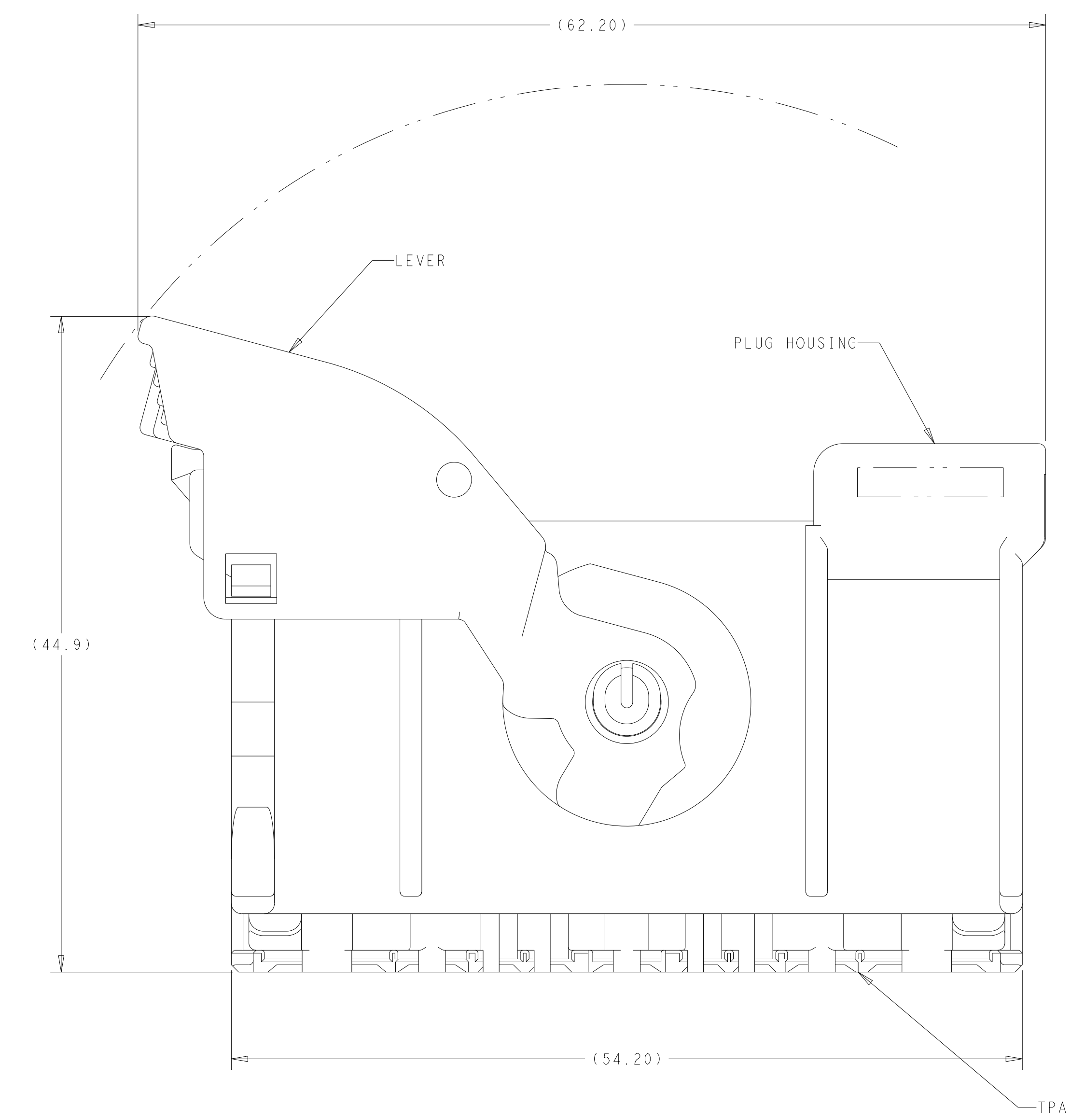
REVISIONS				
REV	DATE	BY	APPD	DESCRIPTION
A2	26/JUL/2014	DD	GR	REVISED PER ECN-16-010929
A3	11/FEB/2022	CN	JV	REVISED PER ECN-22-138797
A4	02/JAN/2022	CN	JV	REVISED PER ECN-22-157061
A5	06/JAN/2024	SR	LR	REVISED PER ECN-24-263059



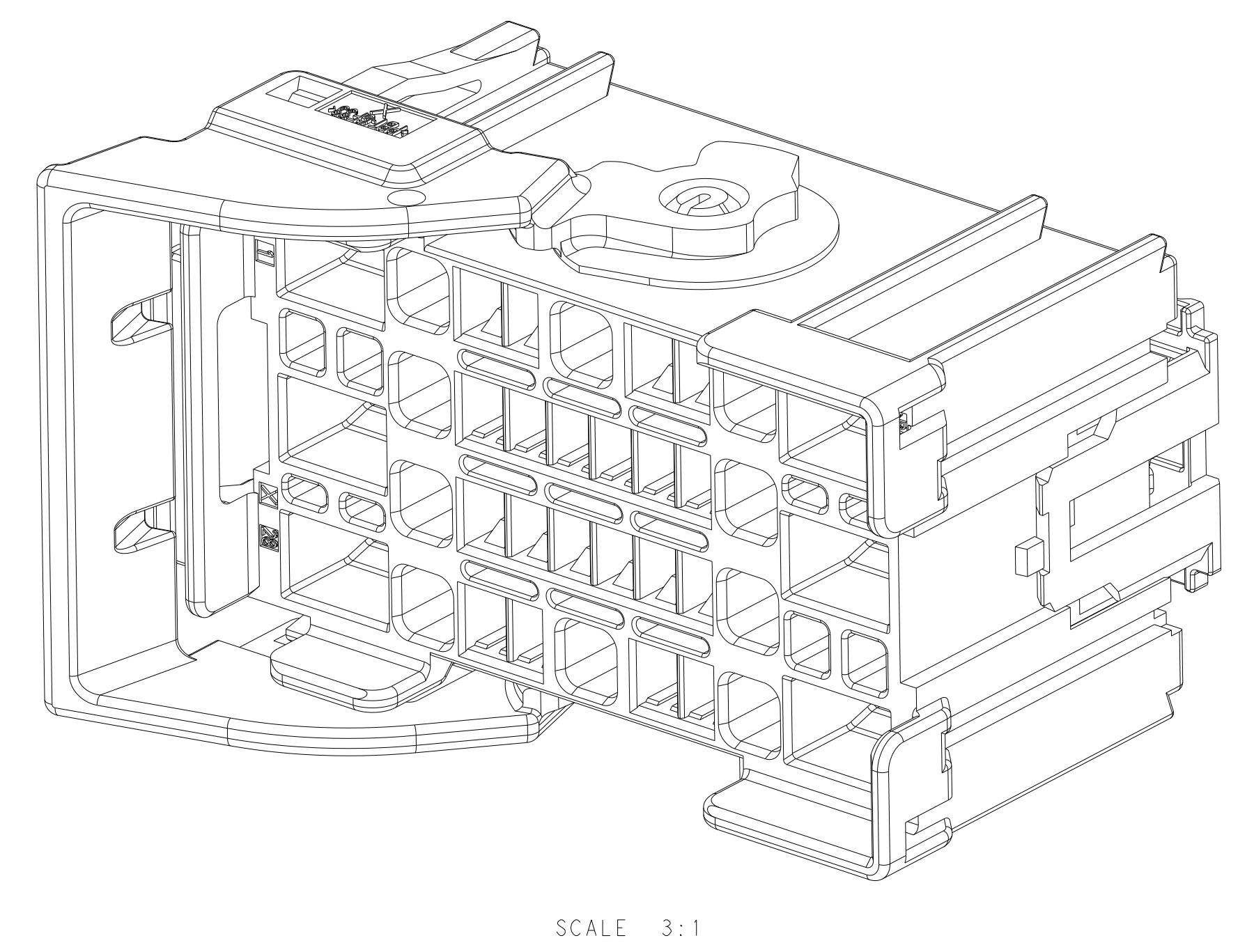
2138731-1
LEVER AND TPA IN ASSEMBLED POSITION,
WITH WIRE DRESS SOLD SEPARATELY. RIGHT EXIT



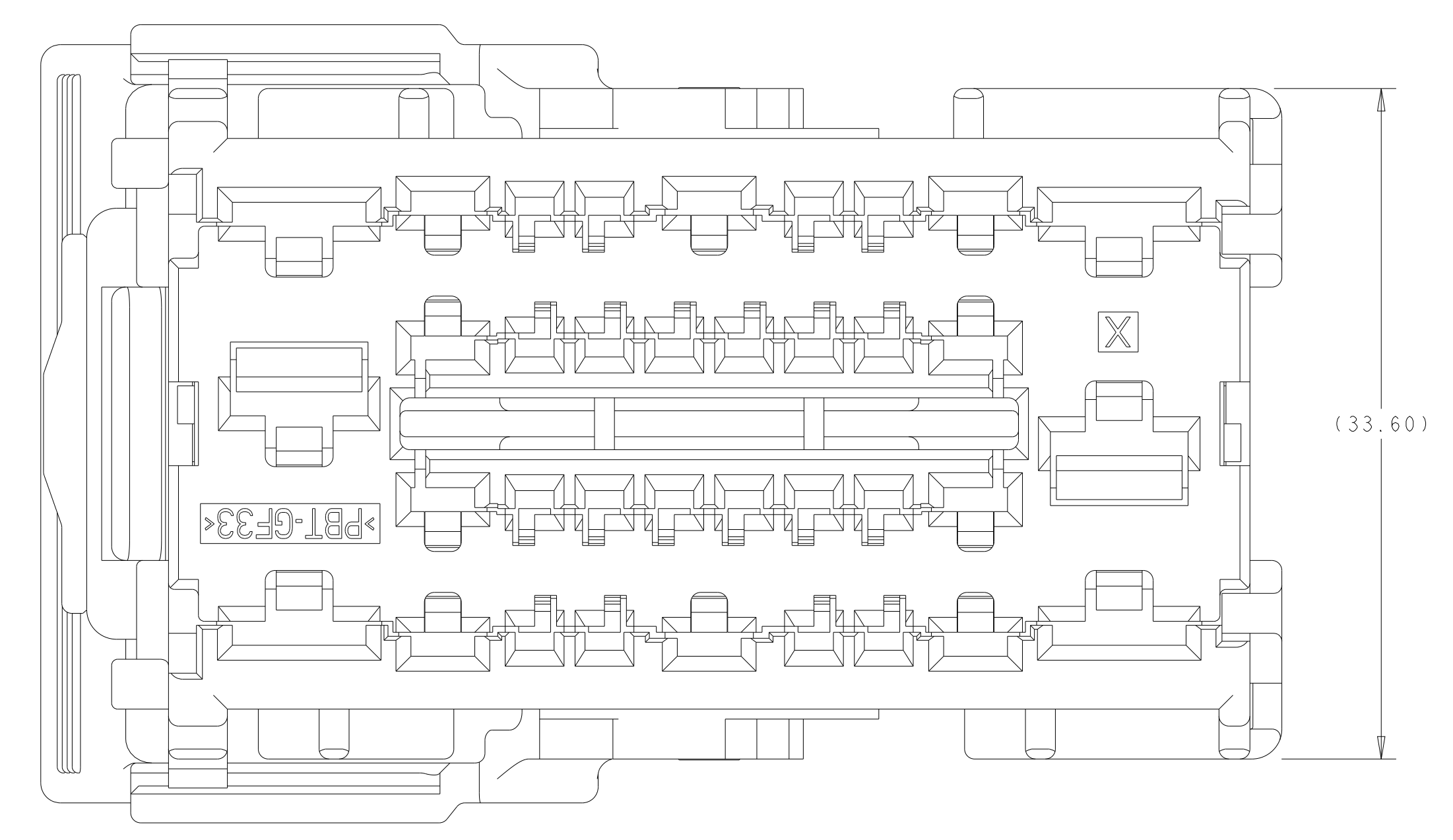
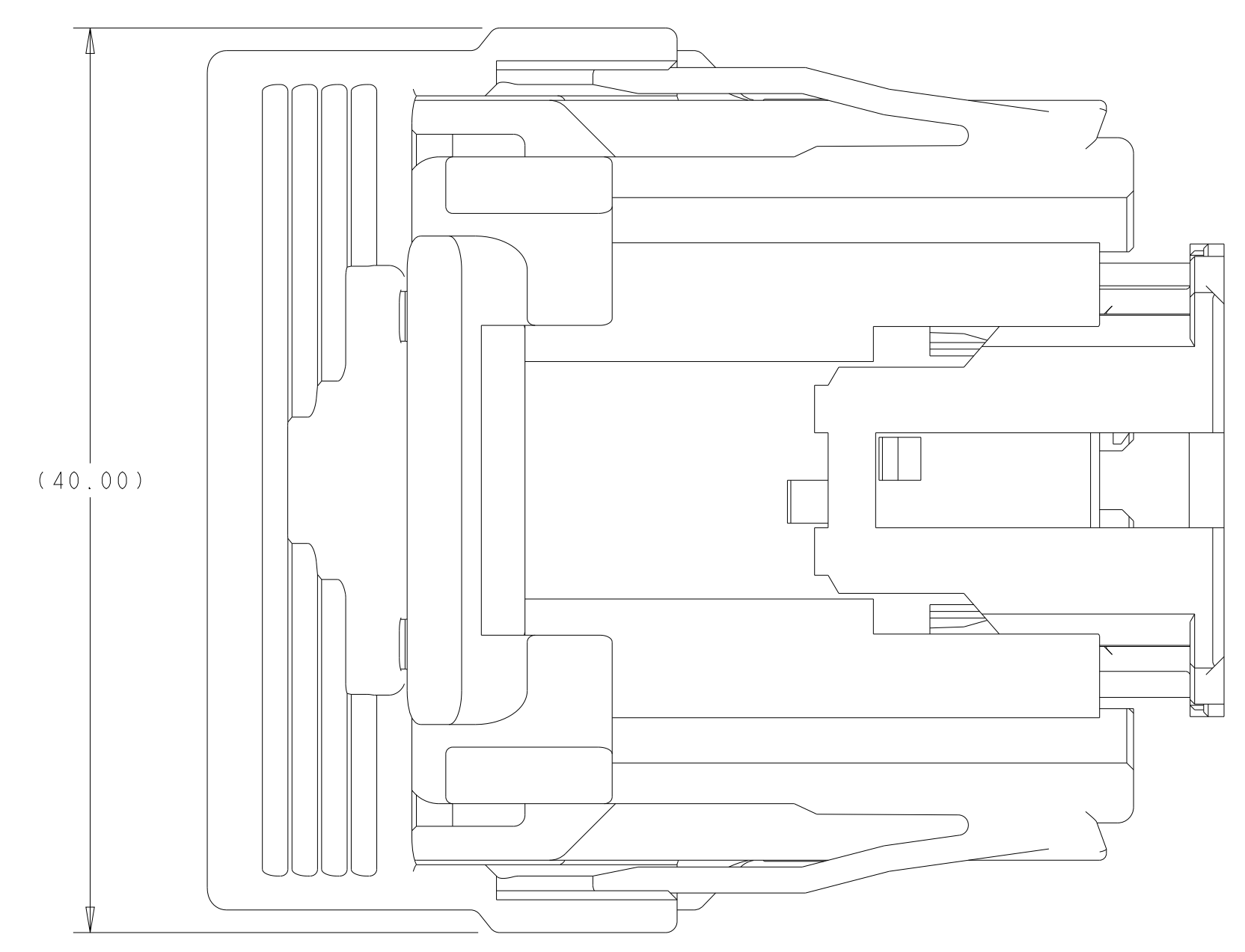
9-2138731-1
LEVER AND TPA IN ASSEMBLED POSITION,
WITH WIRE DRESS SOLD SEPARATELY. LEFT EXIT



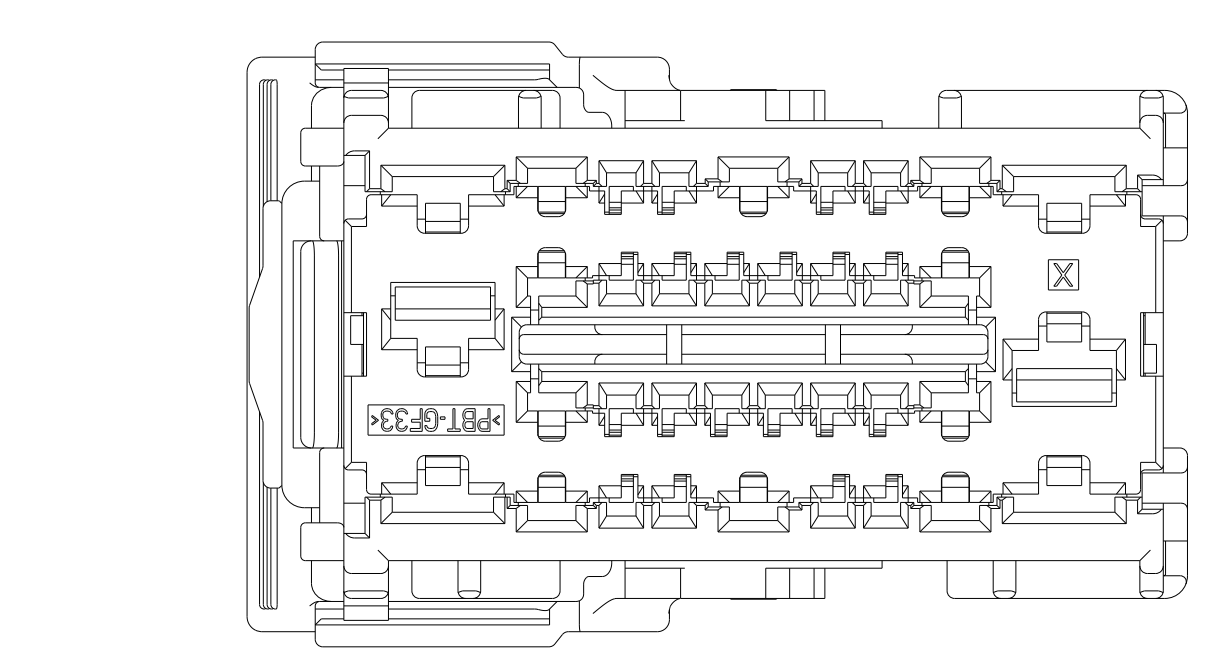
ISOMETRIC VIEWS



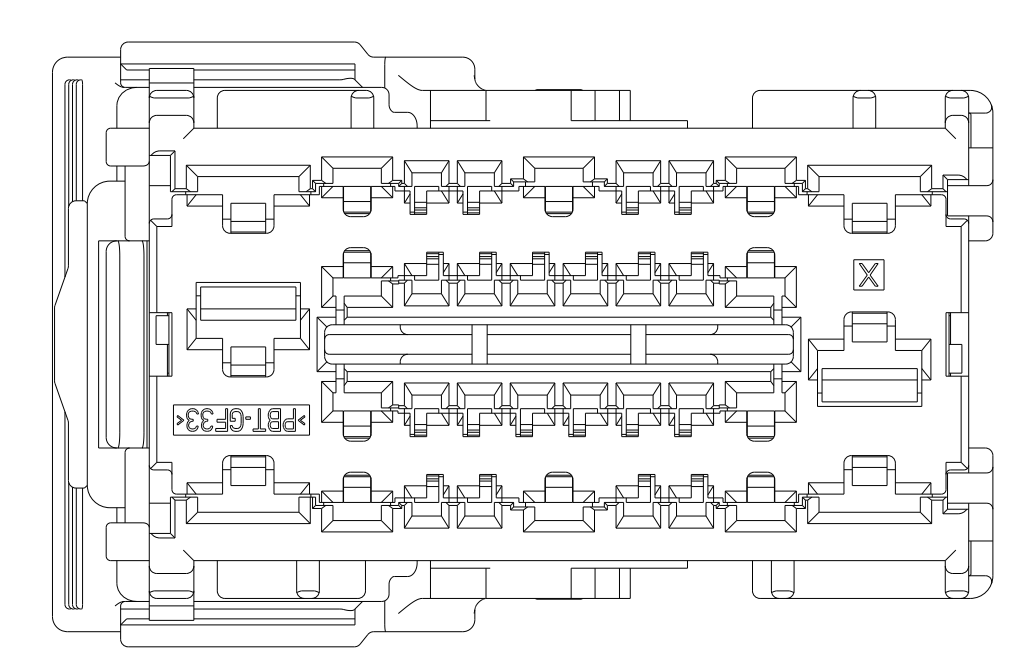
SCALE 3:1



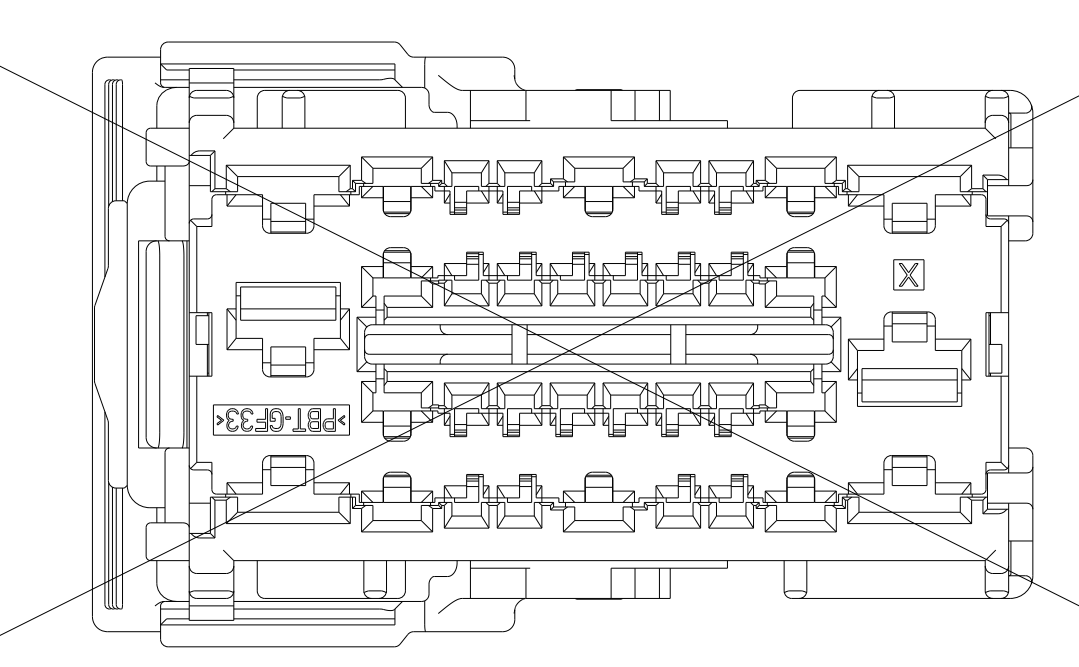
NOTES:
1. TE CONNECTIVITY PART NUMBER 2138731-1 SHOWN IN GENERAL VIEWS WITH TPA AND LEVER IN SHIPPING POSITION.
MATERIAL:
PLUG HOUSING: NYLON PA66 35% GLASS FILLED, BLACK
TPA: PBT 33% GLASS FILLED, RED
LEVER: PBT 33% GLASS FILLED, NATURAL



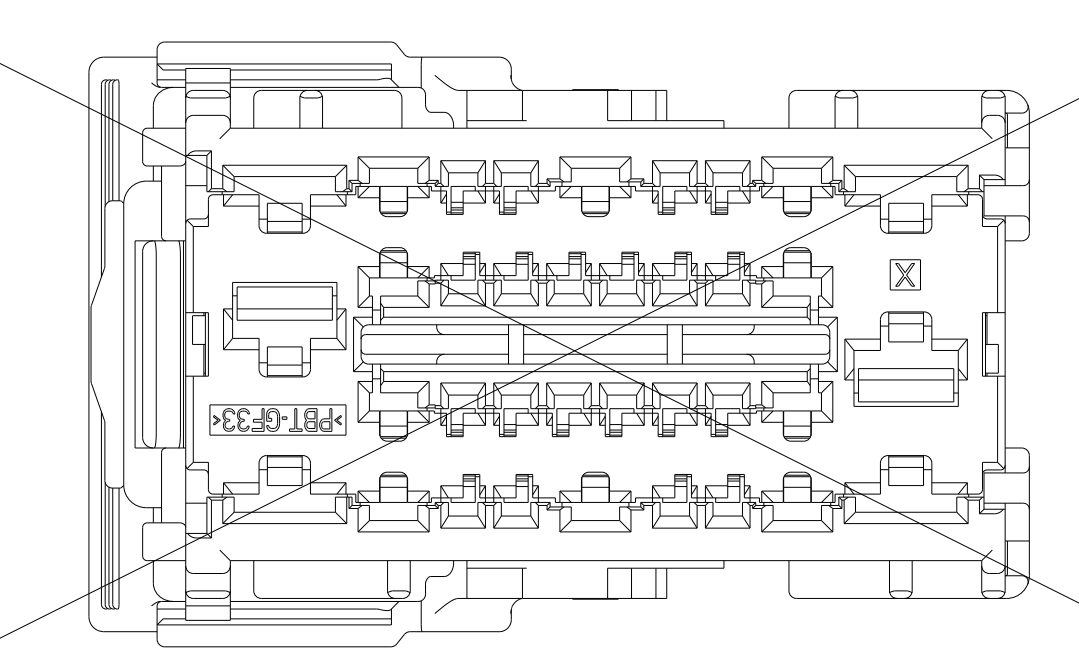
2138731-1
KEYING OPTION "A"



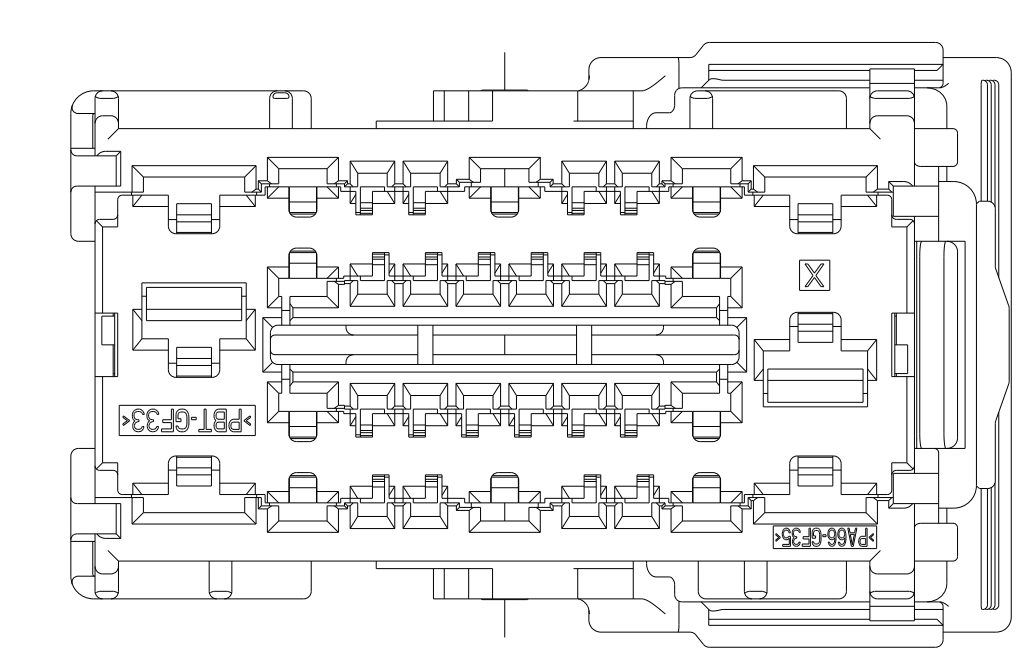
2138731-2
KEYING OPTION "B"



2138731-3
KEYING OPTION "C"



2138731-4
KEYING OPTION "D"



9-2138731-1
KEYING OPTION "A"

STATUS	KEYING OPTION	TE PART NUMBER
RELEASED	A	9-2138731-1
NOT TOOLED	D	2138731-4
NOT TOOLED	C	2138731-3
RELEASED	B	2138731-2
RELEASED	A	2138731-1

THIS DRAWING IS A CONTROLLED DOCUMENT. DAY: M. HILCHER, SDC2011; CHR. HEIRICK, SDC2011; J.E. HEIRICK, SDC2011. DIMENSIONS: UNLESS OTHERWISE SPECIFIED: INCH. 0.0010. MATERIAL: NYLON PA66 35% GLASS FILLED, BLACK. FINISH: .0005. WEIGHT: .0005. CUSTOMER DRAWING. DATE: 00779. SCALE: 4:1. SHEET: 1 OF 1. REV: A5. **STE** TE Connectivity. NAME: 36P UNSEALED HYBRID PLUG ASSEMBLY (20X 1.5, 10X 2.8, 6X 6.3). SIZE: 00779. C=2138731. RESTRICTED TO: A5.