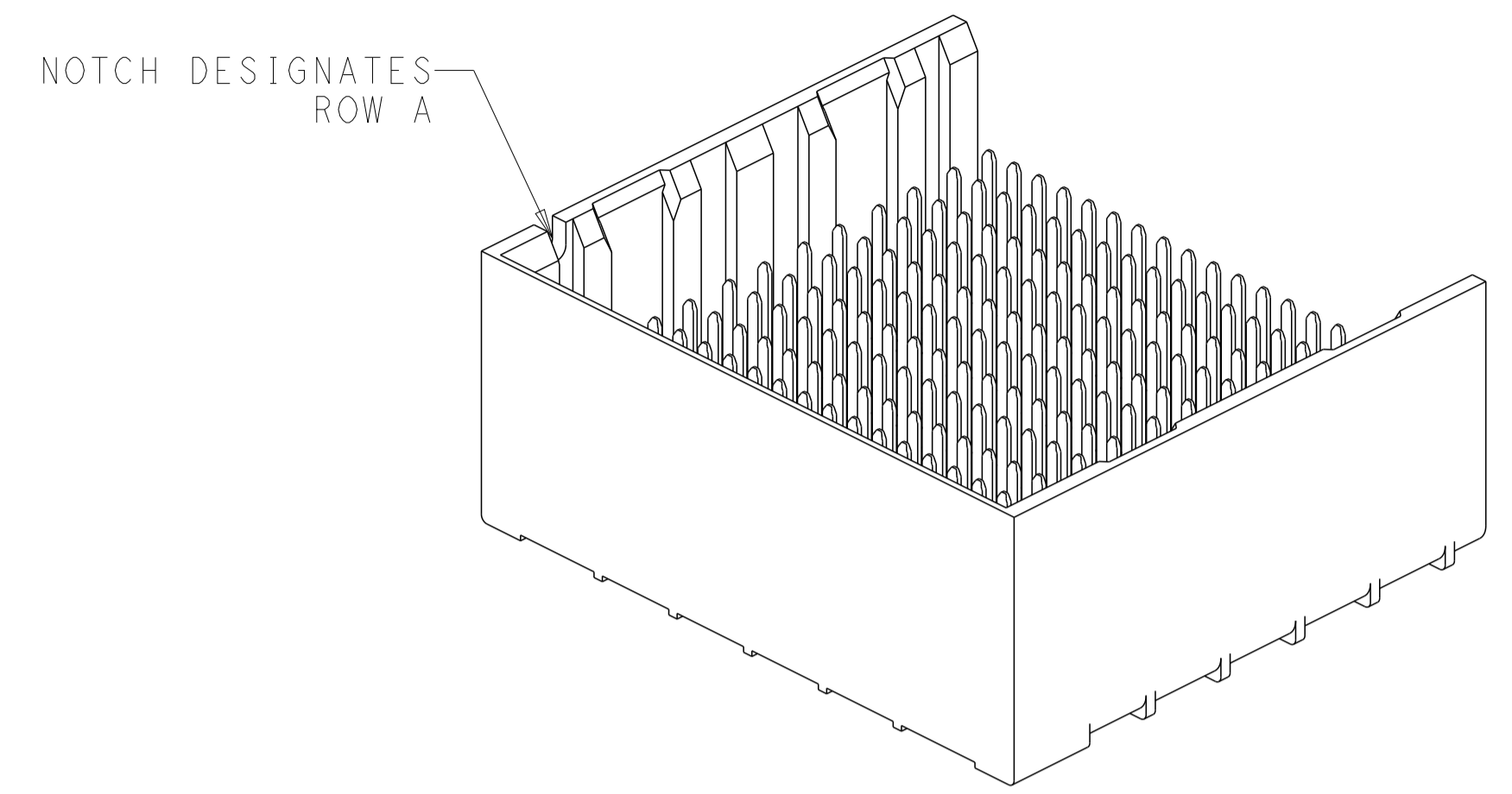
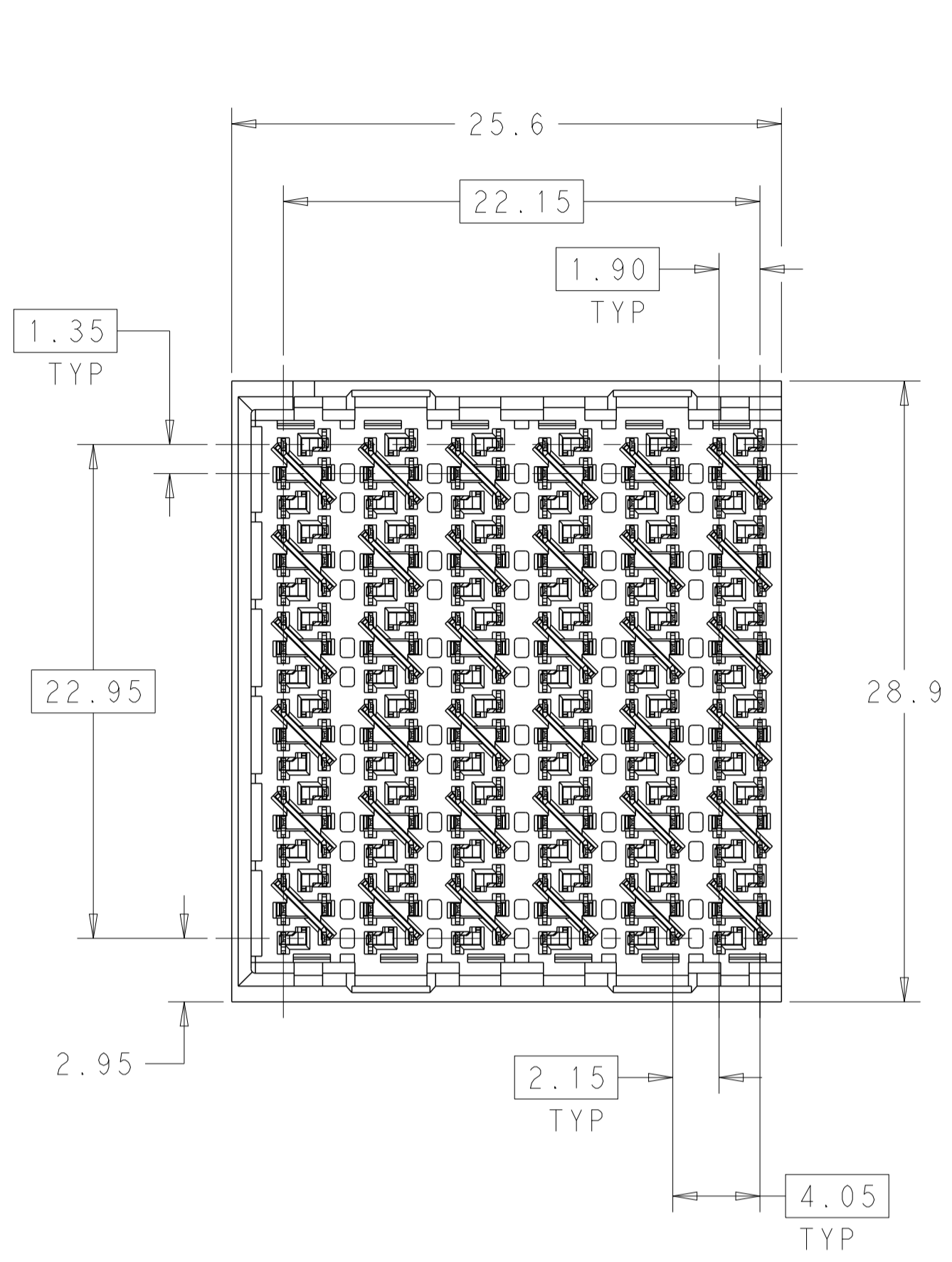
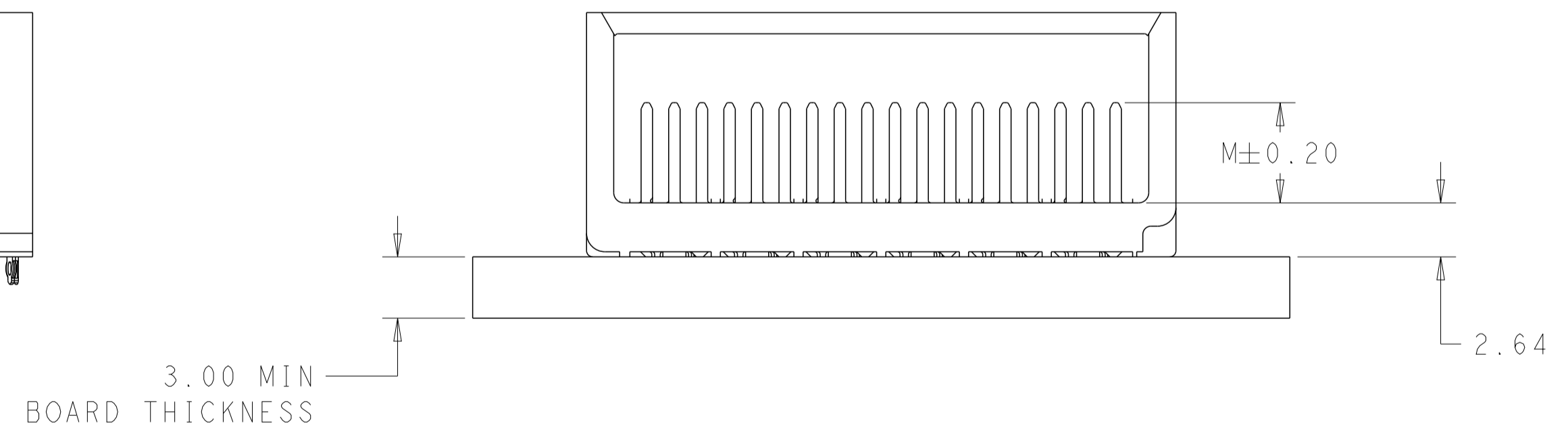
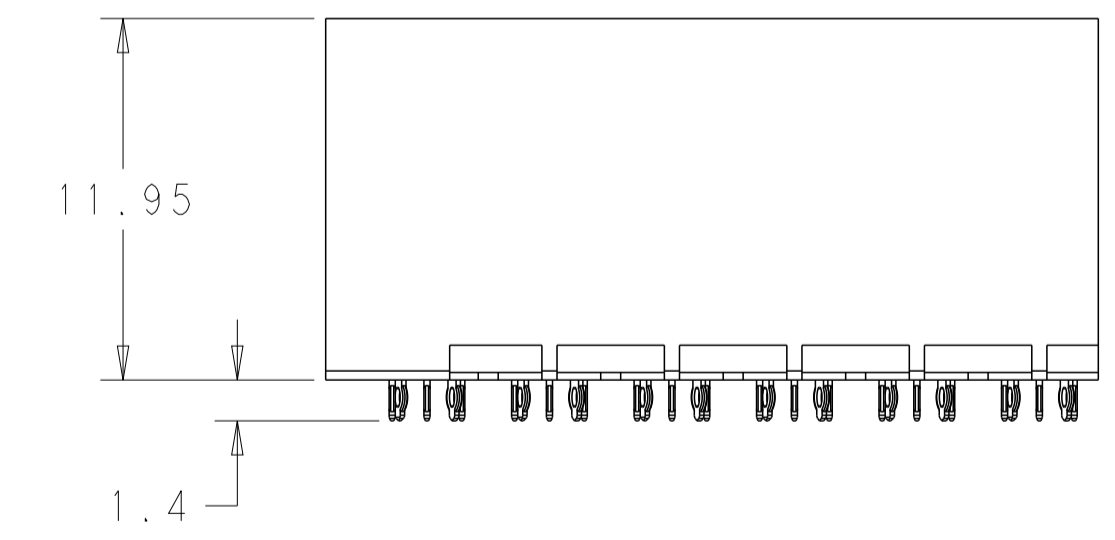
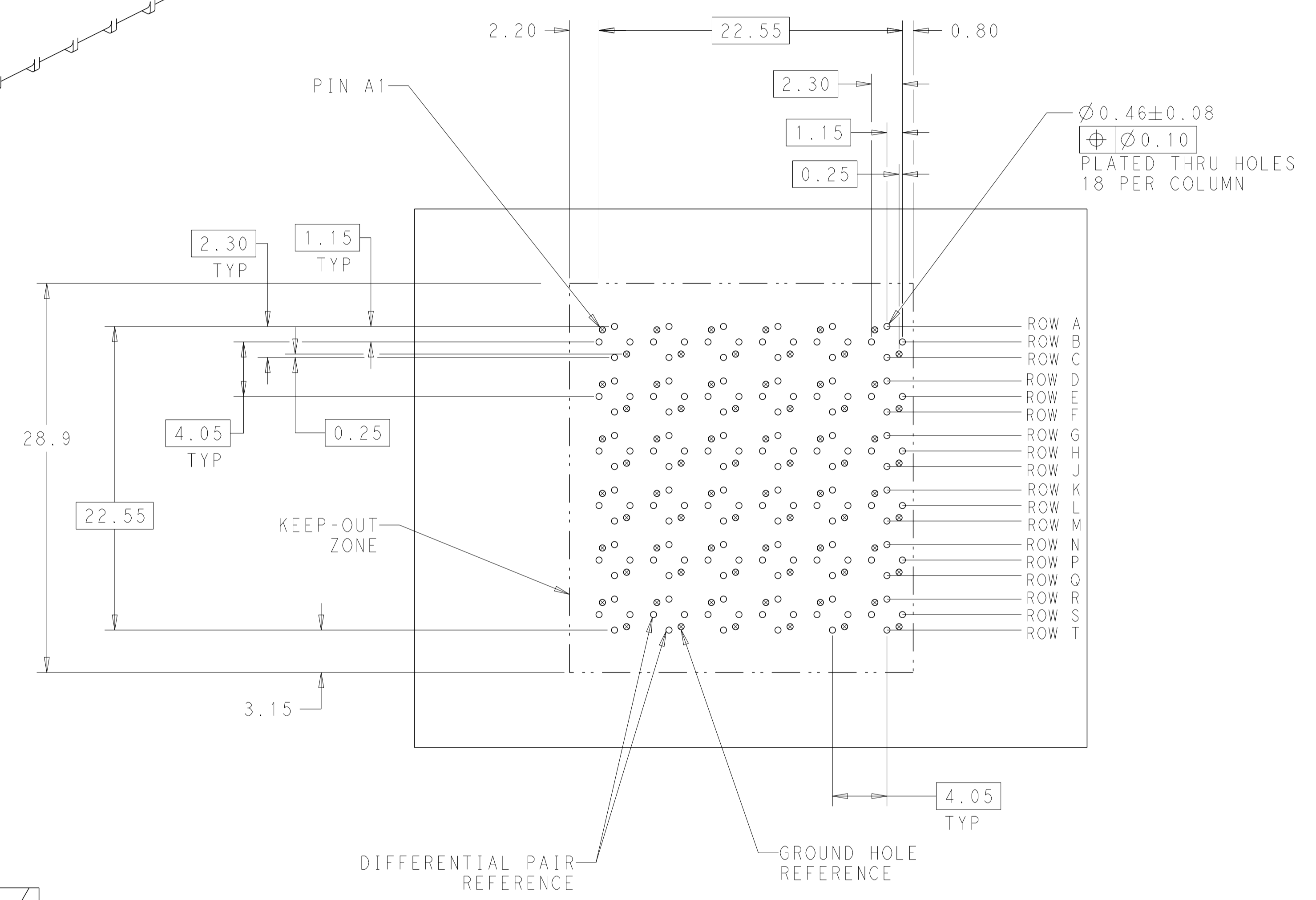


REVISIONS				
P	LTN	DESCRIPTION	DATE	APVD
C		REVISED PER ECO-14-013273	04NOV2014	AP DD
C1		REVISED PER ECN-24-252036	20MAR2024	AP RS



⚠ MATERIAL:  
 HOUSING: LCP GLASS FILLED UL94V-0  
 TERMINALS: HIGH PERFORMANCE COPPER ALLOY

⚠ FINISH:  
 30μ" MIN GOLD IN CONTACT AREA  
 SELECTIVE TIN ON PCB TAILS.  
 NICKEL OVERALL.



LEFT GUIDED  
 BACKPLANE HOLE PATTERN  
 (CONNECTOR SIDE)  
 SCALE 4:1

OBSOLETE	⚠	5.5	2143278-2
	⚠	4.9	2143278-1
	FINISH	DIM M	PART NUMBER

THIS DRAWING IS A CONTROLLED DOCUMENT.

DIMENSIONS:	TOLERANCES UNLESS OTHERWISE SPECIFIED:	OWN J. K. SHOBER 28DEC2010	NAME
mm	0 PLC ±0.25	CHK J. EARY 28DEC2010	IMPACT, 6 PAIR, 12 COLUMN, UNGUIDED LEFT END WALL ASSEMBLY, ORTHOGONAL, 0.46 PTH
	1 PLC ±0.13	APVD J. EARY 28DEC2010	PRODUCT SPEC
	2 PLC ±0.13		APPLICATION SPEC
	3 PLC ±0.13		SIZE CAGE CODE DRAWING NO RESTRICTED TO
	4 PLC ±0.13		A100779C=2143278
	ANGLES ±0		SCALE 4:1 SHEET 1 OF 1 REV C1
MATERIAL	SEE TABLE	WEIGHT	CUSTOMER DRAWING