

ATLANTIC VERSION TERMINATOR INTERFACE ADAPTER	PART NUMBER	REVISION	DESCRIPTION	FEED TYPE	APPLICATOR STYLE CONVERSION CHART						
					CONVERT TO	PART NUMBERS REQUIRED					
	2151781-2	C	FINE CRIMP HEIGHT ADJUST	PNEUMATIC	SERVO LATCH PLATE SMART APPLICATOR	2119951-1 2161326-1	- -	8-2151781-5 8-2151781-4	1901094-3 -	3-1752354-1 -	2168400-6 (QUANTITY 2) -
	2151781-5	C	FINE CRIMP HEIGHT ADJUST	SERVO LATCH PLATE	PNEUMATIC FEED	2119950-1	1-1338683-1	5-18022-5	2119641-1	2119799-1	2063440-2
	2151781-6	C	NON-CRIMP HEIGHT ADJUST	SERVO LATCH PLATE	-	-	-	-	-	-	-
	2151781-7	C	FINE CRIMP HEIGHT ADJUST	NONE	-	-	-	-	-	-	-
	7-2151781-7	A	CRIMP TOOLING KIT	-	-	-	-	-	-	-	-

APPLICATOR DATA		
CRIMP WIRE	SIZE	TYPE
WIRE	3.95 mm [.156]	F
INSUL	10.95 mm [.431]	O

APPLICATOR INSTRUCTIONS 408-10389

TERMINAL DATA: TE TERMINAL		TE CRIMP SPECIFICATION	
TERMINAL NAME: MAXI POWER TIMER FOR 1.2mm TABS			
WIRE STRIP LENGTH		INSULATION DIAMETER RANGE	
.398-.429 IN [10.11-10.90 mm]		Ø 9.5mm max [.375 IN]	
TERMINAL APPLICATION SPECIFICATION	114-18075		
TERMINALS APPLIED			
TE TERMINAL	TE TERMINAL	TE SEAL	TE SEAL
962934-1		1355437-1	

WIRE SIZE	CRIMP HEIGHT mm [INCH]	CRIMP HEIGHT REFERENCE SETTING
4.00mm2	2.71+/-0.05 [.107+/- .002]	5.9
2.50mm2	2.42+/-0.05 [.095+/- .002]	9.0

- 1 RECOMMENDED SPARE PARTS
- 2 GREASE BEARING SURFACES LIGHTLY
- 3. LUBRICATE DAILY PER THE APPLICATOR INSTRUCTION SHEET SUPPLIED WITH THE APPLICATOR.
- 4 APPLICATOR SPECIFIC DATA TO BE ENTERED INTO BLANK MEMORY CHIP AT ASSEMBLY. SEE BELOW FOR PART NUMBER:
PNEUMATIC FEED WITH "SMART APPLICATOR" CONVERSION: 8-2151781-4
SERVO FEED WITH "FINE CRIMP HEIGHT ADJUST": 8-2151781-5
SERVO FEED WITH "NON-CRIMP HEIGHT ADJUST": 8-2151781-6
- 5. ADJUSTMENT OF THE STRIPPER MAY BE REQUIRED WHEN MOVING THE APPLICATOR BETWEEN BENCH AND LEADMAKER APPLICATIONS.
- 6 APPLY PART NUMBER 1-23419-5 LOCTITE TO THREADS OF ITEMS 62 & 242. FOR -6 ONLY APPLY PART NUMBER 1-23419-5 LOCTITE TO THREADS OF ITEMS 37 & 242.
- 7 GREASE THREADS, GROOVE AND O-RING ON ITEMS 35 & 252.
- 8 MAGNET, ITEM 166 MUST BE ORIENTED CORRECTLY IN ORDER TO PROPERLY ACTUATE THE COUNTER.
- 9 CRIMP HEIGHT REFERENCE SETTING WAS THE SETTING USED WHEN THE APPLICATOR WAS QUALIFIED AT THE FACTORY. ADJUSTMENT MAY BE NECESSARY WHEN RUNNING APPLICATOR IN THE FIELD.
- 10 TERMINAL PITCH NOT COMPATIBLE WITH MECHANICAL FEED.
- 11 THE APPLICATOR IS A NON-CARRIER CUTTING STYLE ONLY.
- 12 WHEN ASSEMBLING A NON CRIMP HEIGHT ADJUST APPLICATOR (-6) USE SHIMS FROM ITEM 260 TO ACHIEVE A NOMINAL SHIM HEIGHT OF 3.09.
- 13 THIS APPLICATOR APPLIES TERMINAL WITH A SEAL. INSULATION RANGLE QUOTED IS THAT OF THE TERMINAL. THE SEAL INSULATION RANGE IS 4.0- 4.5mm [.157 - .177 IN.]
- 14 APPLY TORQ-SEAL IN ALLEN SOCKET TO FILL HOLE AFTER FLAT HD HAS BEEN ADJUSTED TO CORRECT HEIGHT AT QUALIFICATION. APPLY #1-23419-5 LOC-TITE TO THREADS.
- 15 CUT TO LENGTH AT ASSEMBLY.
- 16 RELOCATE ITEM 19 TO BACK OF APPLICATOR AFTER TURNING STRIPPER MOUNT 180 DEGREES.

***WARNING**
ON INSTALLATION, SET WIRE DISC, ITEM 40 TO LARGEST WIRE SIZE SETTING. USE OF SETTINGS BELOW MINIMUM REQUIRED CRIMP HEIGHT SETTING WILL CAUSE DAMAGE TO CRIMP TOOLING.

-	-	1	-	-	2119957-2	APPLICATOR SHIM PACK	260
-	1	1	1	1	1803078-1	SPACER, PRECISION	259
-	1	-	1	1	8-21084-0	O-RING, .676 ID, .070 DIA. MAT.	252
-	-	-	-	1	2119640-1	PUSH ROD, AIR FEED	250
-	-	-	-	1	2079988-1	BUSHING, LCH5-12, MISUMI	249
-	-	-	-	1	2119641-1	FEED CAM, AIR FEED	248
-	1	-	1	1	2119798-1	DETENT PIN	247
-	1	-	1	1	1-22279-3	SPRING, COMPRESSION	246
-	-	1	-	-	2161314-1	RAM, STEPPED, ATLANTIC, SF, NON-ADJ.	245
-	1	1	1	1	2119082-8	CAM, SNAIL, INSULATION ADJUSTMENT	244
-	1	1	1	1	2079764-1	WASHER, WAVE SPRING, CREST-TO-CREST	243
-77	-7	-6	-5	-2	PART NO	DESCRIPTION	ITEM NO

ATLANTIC VERSION
Shown on sheets 1 of 4 & 2 of 4
(Pacific version shown on sheets 3 of 4 & 4 of 4)

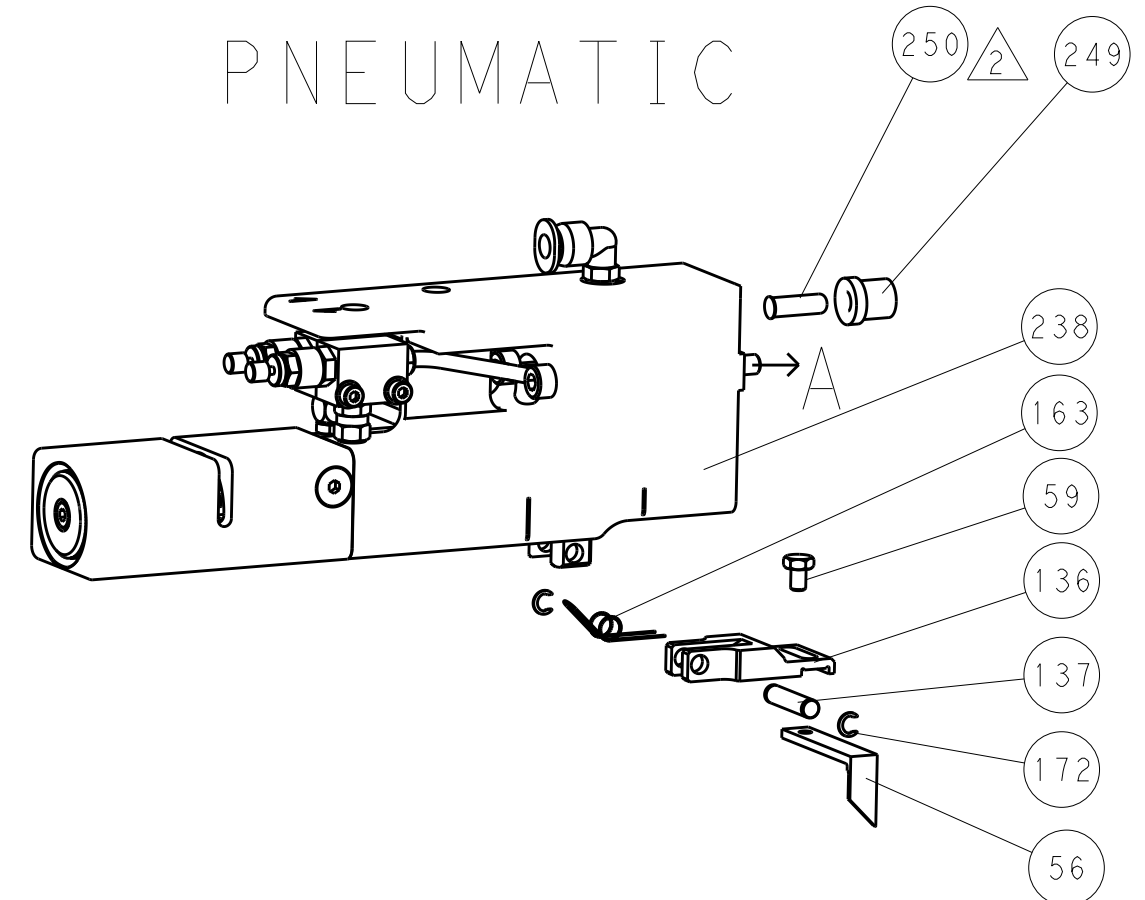
SET UP GAUGE	LOC	DIST	REVISIONS					
2119599-1	A	66	P	LTN	DESCRIPTION	DATE	OWN	APVD
			A		RELEASED	03APR2013	BH	BH
			B		ECR-13-007888	13MAY2013	BH	TE
			C		ECR-13-008398	23MAY2013	CC	UG
			C1		ECR-15-010705	17JUL2015	XZ	JT

6	-	1	1	1	1	2119083-1	RETAINER, INSULATION DIAL	242
-	-	-	2	2	-	2168400-6	SHCS, LOW HEAD, RoHS, M5 X 16	240
-	-	-	-	-	-	2119580-1	MECHANICAL FEED ASSEMBLY	239
-	-	-	-	-	1	2063440-2	AIR FEED MODULE	238
-	1	1	1	1	-	1633782-7	FENCE	230
-	-	1	1	-	-	2119740-2	TAG, IDENTIFICATION	213
-	-	1	1	-	-	1901094-3	SPACER, FEEDER	198
-	-	-	-	2	-	21045-3	RING, RETAIN, EXTERN, 3/16 CRESCENT	172
-	1	1	1	1	-	994969-1	MAGNET, RARE EARTH HIGH ENERGY	166
-	REF	REF	REF	REF	-	994970-2	COUNTER, MAGNETIC	164
-	-	-	-	-	1	240638-1	SPRING, FEED FINGER	163
-	-	-	-	-	1	3-23627-7	PIN, RETAIN, GRVD, 3/16 X .854	137
-	-	-	-	-	1	2119799-1	HOLDER, FEED FINGER, AF	136
-	-	REF	REF	-	-	SEE NOTE 4	MEMORY CHIP, PROGRAMMED	135
-	-	1	1	-	-	1633743-1	SERVO FEED LATCH ASM	133
-	1	1	1	1	-	1-18028-2	WASHER, FLAT, REG M4	119
-	1	1	1	1	-	1-455888-1	SPACER, CRIMPER	82
-	1	1	1	1	-	1803096-1	EXTENSION PLATE	78
-	1	1	1	1	-	2119956-1	DOCUMENTATION PACKAGE	71
-	1	1	1	1	-	1-2119791-2	DEPRESSOR, WIRE	70
-	1	1	1	1	-	2119943-1	WASHER, SPACER	69
-	1	-	-	-	-	2119740-1	TAG, IDENTIFICATION	67
-	2	2	2	2	-	2168078-1	SCREW, DRIVE, RH, RoHS, 2 x .188	66
-	1	-	1	1	-	2119793-1	LIMITER, ADJUSTMENT BOLT	63
6	-	3	-	3	3	992763-5	SCR, SET, SOC, CONE POINT, M3 X 4.0	62
4	-	3	3	3	3	2079383-4	SCR, BHSC, RoHS (M4 X 8)	60
-	-	-	-	-	1	5-18022-5	SCR, HEX HD CAP, M4 X 6.0	59
-	1	1	1	1	-	1-2168083-3	SCR, SKT HD CAP, RoHS, M3 X 16	57
-	-	-	-	-	1	1-1338683-1	FEED PAWL	56
-	4	4	4	4	-	2168400-1	SHCS, LOW HEAD, RoHS, M4 X 12	54
-	2	2	2	2	-	2168083-8	SCR, SKT HD CAP, RoHS, M4 X 16	53
-	1	1	1	1	-	5018030-1	NUT, HEX, REG, RoHS, M3	52
-	1	1	1	1	-	1-811242-0	BUMPER, HOLD DOWN	51
-	1	1	1	1	-	690753-2	SPACER, TONKER	50
-	-	-	-	-	1	18023-9	SCR, SKT HD CAP M4 X 6.0	49
-	-	-	-	-	-	2119652-1	FEED CAM, PRE FEED	48
-	-	-	-	-	-	2119653-1	FEED CAM, POST FEED	47
-	1	1	1	1	-	1-2119656-7	APPLICATOR BASIC ASSEMBLY, SF	46
-	1	-	1	1	-	2161311-1	RAM, STEPPED, AMP STYLE, SIDE FEED	44
-	1	1	1	1	-	1-2079383-5	SCR, BHSC, RoHS (M8 X 40)	41
-	1	-	1	1	-	2119645-1	DISC, NUMBERED FA WIRE ADJUSTMENT	40
-	1	-	1	1	-	2119957-1	APPLICATOR SHIM PACK	39
-	1	1	1	1	-	2119644-3	RAM WASHER, PRECISION	38
6	-	1	1	1	1	2119085-1	FA HEAD, ATLANTIC STYLE	37
-	1	-	1	1	-	2119092-1	BOLT, ADJUSTMENT	35
-	1	1	1	1	-	1-1752356-0	SUPPORT, TERMINAL	34
-	2	2	2	2	-	1-2079383-3	SCR, BHSC, RoHS (M4 X 25)	33
-	1	1	1	1	-	2161328-1	HEX HEAD, FLANGED, M5 X 8mm LONG	32
-	1	1	1	1	-	3-455888-7	SPACER, CRIMPER	31
-	1	1	1	1	-	1-1320908-8	SPACER, STRIP GUIDE	30
-	1	1	1	1	-	2119959-6	ASSEMBLY, STRIP GUIDE	29
-	1	1	1	1	-	1-455888-9	SPACER, CRIMPER	28
-	2	2	2	2	-	22283-1	SPRING, COMPRESSION	27
-	2	2	2	2	-	2168083-1	SCR, SKT HD CAP, RoHS, M3 X 8.0	26
-	1	1	1	1	-	240792-1	DRAG, TERMINAL	25
-	1	1	1	1	-	2-1320928-2	STRIP GUIDE	24
-	1	1	1	1	-	2168083-2	SCR, SKT HD CAP, RoHS, M4 X 8.0	21
-	1	1	1	1	-	1-18028-2	WASHER, FLAT, REG M4	20
-	1	1	1	1	-	1803013-1	STRIPPER, SIDE FEED	19
1	1	1	1	1	1	1-690438-0	FRONT STRIP GUIDE	18
1	1	1	1	1	1	4-22280-7	SPRING, COMPRESSION	12
1	1	1	1	1	1	1-18023-1	SCR, SKT HD CAP M4 X 10.0	11
1	1	1	1	1	1	1-2119805-1	SHEAR HOLDER, FRONT	10
1	1	1	1	1	1	318059-9	FLOATING SHEAR, FRONT	9
1	1	1	1	1	1	1-1633930-4	ANVIL, COMBINATION	8
-	1	1	1	1	1	2-240641-9	SPACER	7
-	-	-	-	-	-	-	-	6
-	1	1	1	1	1	1803080-5	DEPRESSOR, SHEAR	5
-	1	1	1	1	1	5-238011-4	BLOCK, CRIMPER SPACER	4
1	1	1	1	1	1	1-1633965-7	CRIMPER, INSULATION O PREMIUM	3
-	1	1	1	1	1	1-455888-0	SPACER, CRIMPER	2
1	1	1	1	1	1	456415-1	CRIMPER, WIRE .155 F PREMIUM	1
-77	-7	-6	-5	-2	PART NO	DESCRIPTION	ITEM NO	

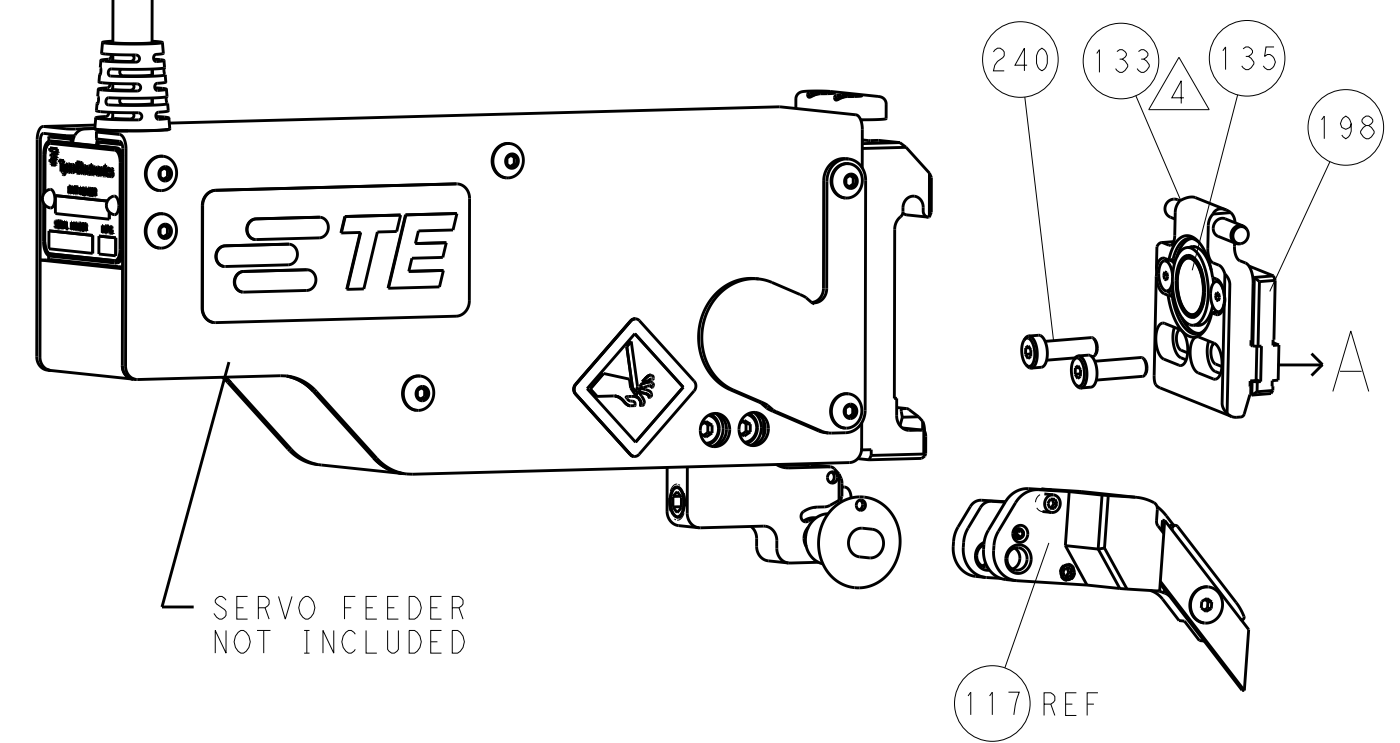
DIMENSIONS:		TOLERANCES UNLESS OTHERWISE SPECIFIED:		OWN: BOB HIGMAN 11DEC2012	TE Connectivity Harrisburg, PA 17105-3608
mm		0 PLC ±.5 1 PLC ±0.5 2 PLC ±0.13 3 PLC ±0.013 4 PLC ±0.001 ANGLES ±.01		CHK: G. BAILEY 11DEC2012	
		FINISH:		APVD: M. CLIFFORD 11DEC2012	NAME: Ocean Side Feed Applicator
MATERIAL:		FINISH:		PRODUCT SPEC:	SIZE: A1
				APPLICATION SPEC:	CAGE CODE: 00779
				WEIGHT:	DRAWING NO: 2151781
				Customer Accessible Production Drawing	RESTRICTED TO: REV C1
				SCALE: 1:2	SHEET 1 OF 4

FEED TYPE

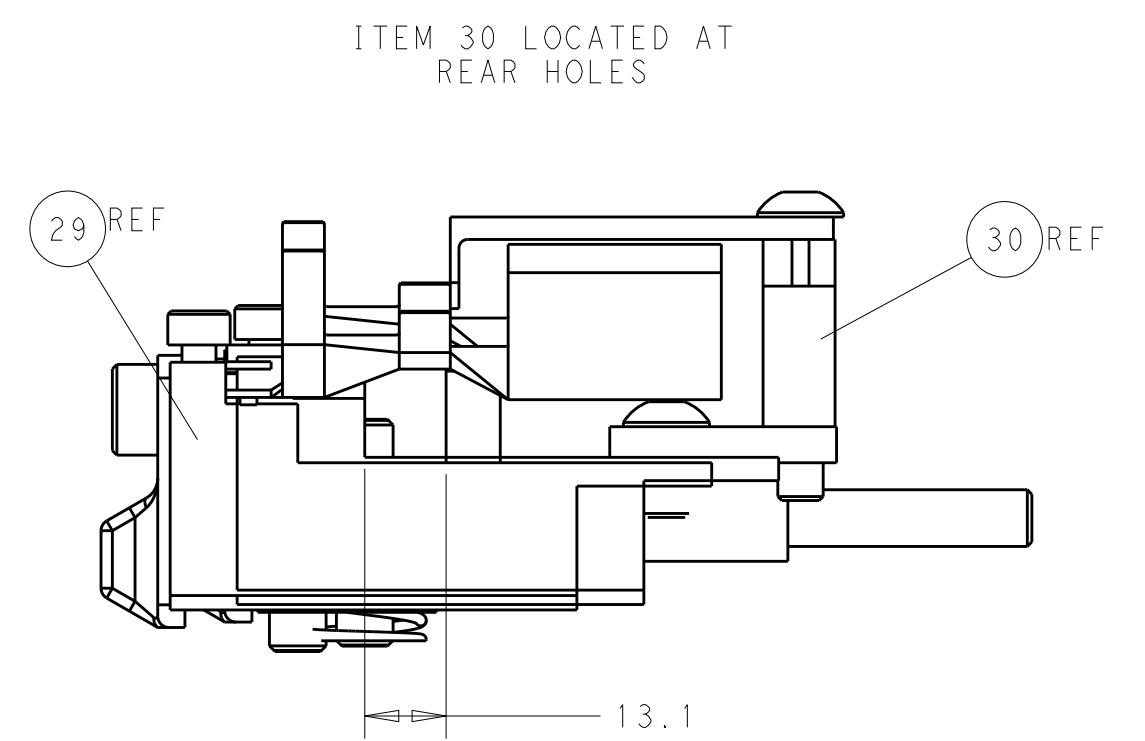
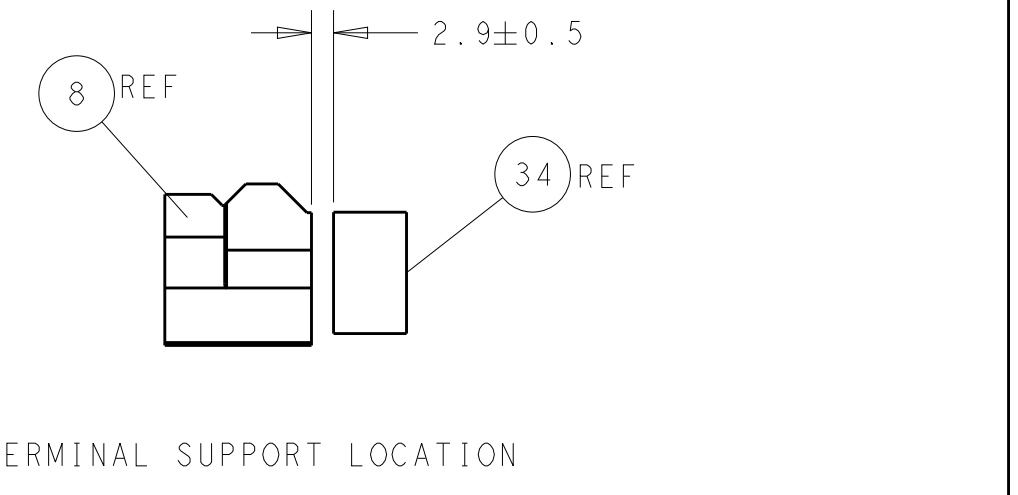
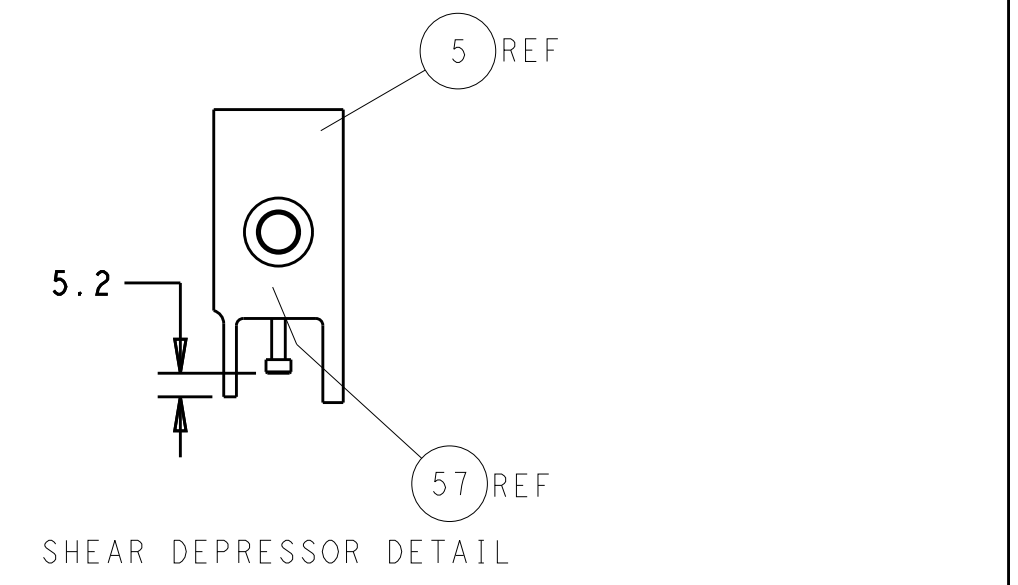
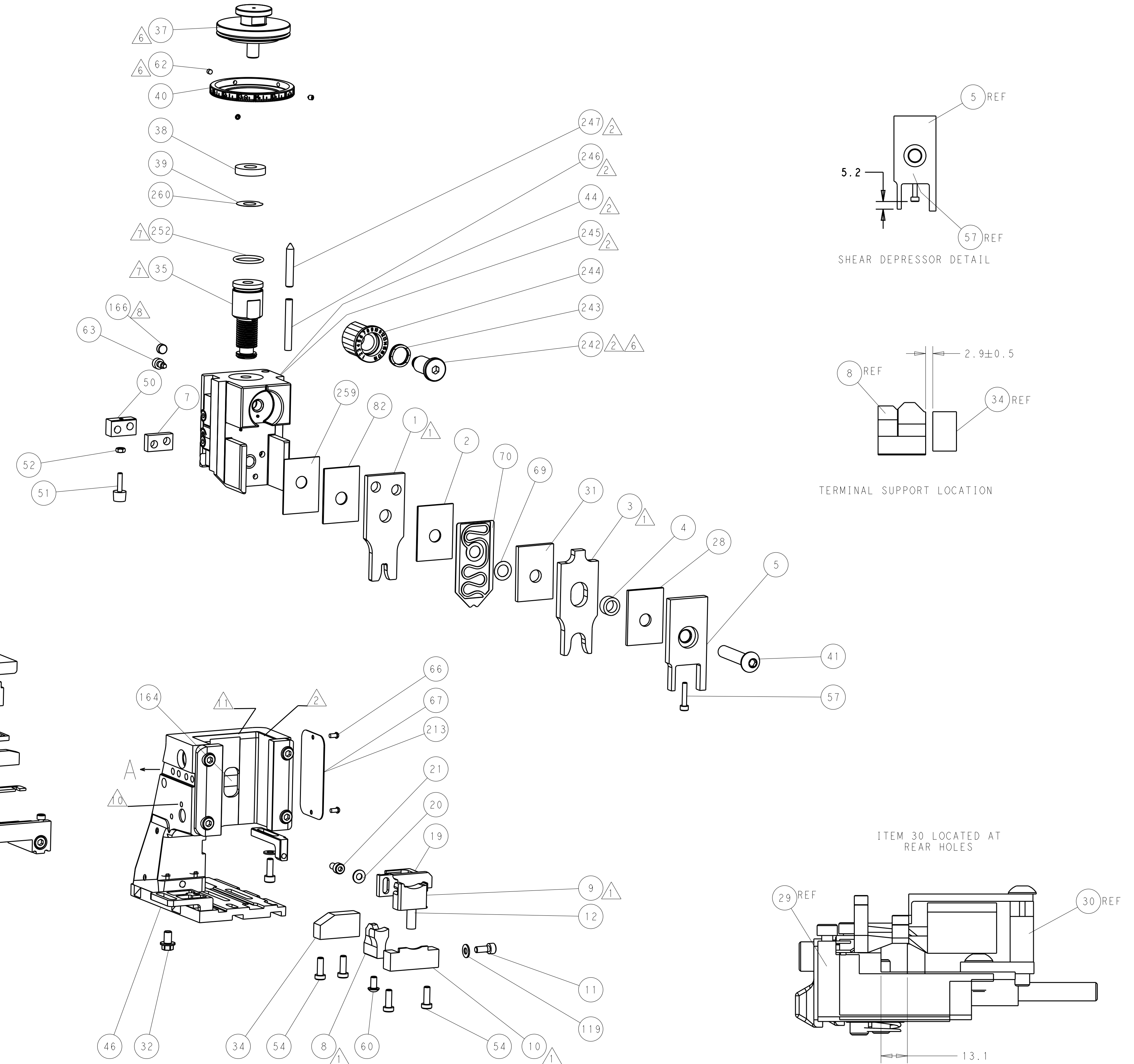
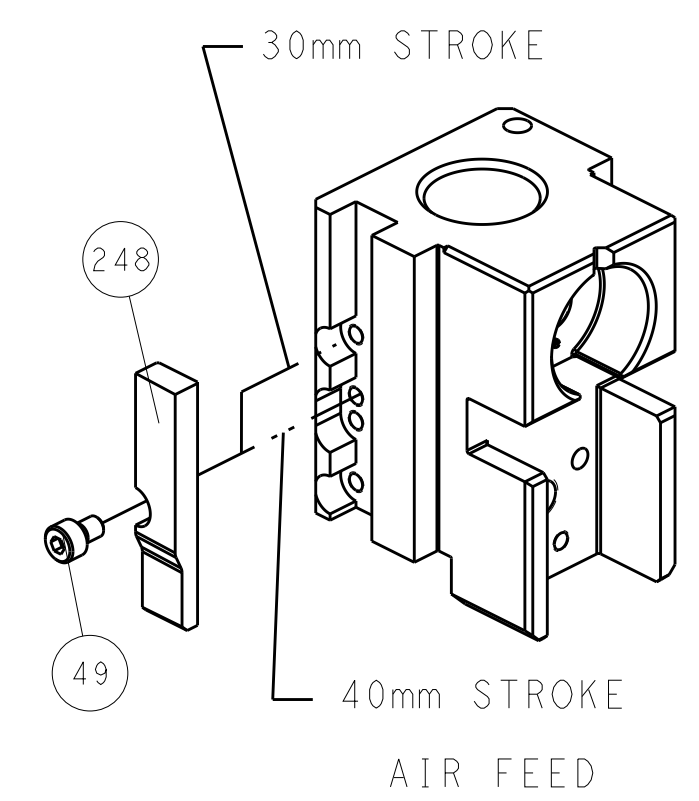
PNEUMATIC



SERVO LATCH PLATE



CAM POSITION



ATLANTIC VERSION
 Shown on sheets 1 of 4 & 2 of 4
 (Pacific version shown on sheets 3 of 4 & 4 of 4)

DIMENSIONS:		TOLERANCES UNLESS OTHERWISE SPECIFIED:		REVISIONS	
mm	0 PLC ±0.5	1 PLC ±0.5	2 PLC ±0.13	3 PLC ±0.013	4 PLC ±0.001
ANGLES	±0.001	DWG: BOB HIGMAN 11DEC2012 CHK: G. BAILEY 11DEC2012 APVD: M. CLEFFORD 11DEC2012 NAME: Ocean Side Feed Applicator SIZE: A1 CAGE CODE: 00779 DRAWING NO: 2151781 WEIGHT: - SCALE: 1:2 SHEET 2 OF 4 REV: C1 MATERIAL: - FINISH: -			

PACIFIC VERSION TERMINATOR INTERFACE ADAPTER	PART NUMBER	REVISION	DESCRIPTION	FEED TYPE	APPLICATOR STYLE CONVERSION CHART						
					CONVERT TO	PART NUMBERS REQUIRED					
	2-2151781-2	C	FINE CRIMP HEIGHT ADJUST	PNEUMATIC	SERVO LATCH PLATE	2119951-1	-	8-2151781-5	1901094-3	3-1752354-1	2168400-6 (QUANTITY 2)
	2-2151781-5	C	FINE CRIMP HEIGHT ADJUST	SERVO LATCH PLATE ⁴	SMART APPLICATOR	2161326-1	-	8-2151781-4	-	-	-
	2-2151781-7	C	FINE CRIMP HEIGHT ADJUST	NONE	PNEUMATIC FEED	2119950-1	1-1338683-1	5-18022-5	2119641-2	2119799-1	2063440-2
	7-2151781-7	A	CRIMP TOOLING KIT	-	-	-	-	-	-	-	-

APPLICATOR DATA		
CRIMP	SIZE	TYPE
WIRE	3.95 mm [1.56]	F
INSUL	10.95 mm [4.31]	O
APPLICATOR INSTRUCTIONS 408-10389		

TERMINAL DATA: TE TERMINAL		TE CRIMP SPECIFICATION	
TERMINAL NAME: MAXI POWER TIMER FOR 1.2mm TABS			
WIRE STRIP LENGTH		INSULATION DIAMETER RANGE	
.398-.429 IN [10.11-10.90 mm]		Ø 9.5mm MAX [1.375 IN]	
TERMINAL APPLICATION SPECIFICATION	114-18075	-	-
TERMINALS APPLIED ⁰			
TE TERMINAL	TE TERMINAL	TE SEAL	TE SEAL
962934-1		1355437-1	

WIRE SIZE	CRIMP HEIGHT mm [INCH]	CRIMP HEIGHT REFERENCE SETTING
4.00mm2	2.71+/-0.05 [1.07+/-0.002]	5.9
2.50mm2	2.42+/-0.05 [0.95+/-0.002]	9.0

- ¹ RECOMMENDED SPARE PARTS
- ² GREASE BEARING SURFACES LIGHTLY
- 3. LUBRICATE DAILY PER THE APPLICATOR INSTRUCTION SHEET SUPPLIED WITH THE APPLICATOR.
- ⁴ APPLICATOR SPECIFIC DATA TO BE ENTERED INTO BLANK MEMORY CHIP AT ASSEMBLY. SEE BELOW FOR PART NUMBER:
 PNEUMATIC FEED WITH "SMART APPLICATOR" CONVERSION: 8-2151781-4
 SERVO FEED WITH "FINE CRIMP HEIGHT ADJUST": 8-2151781-5
- 5. ADJUSTMENT OF THE STRIPPER MAY BE REQUIRED WHEN MOVING THE APPLICATOR BETWEEN BENCH AND LEADMAKER APPLICATIONS.
- ⁶ APPLY PART NUMBER 1-23419-5 LOCTITE TO THREADS OF ITEMS 62 & 242.
- ⁷ GREASE THREADS, GROOVE AND O-RING ON ITEMS 139 & 152.
- ⁸ MAGNET MUST BE ORIENTED CORRECTLY IN ORDER TO PROPERLY ACTUATE THE COUNTER.
- ⁹ CRIMP HEIGHT REFERENCE SETTING WAS THE SETTING USED WHEN THE APPLICATOR WAS QUALIFIED AT THE FACTORY. ADJUSTMENT MAY BE NECESSARY WHEN RUNNING APPLICATOR IN THE FIELD.
- ⁰ TERMINAL PITCH NOT COMPATIBLE WITH MECHANICAL FEED
- ¹ THE APPLICATOR IS A NON-CARRIER CUTTING STYLE ONLY.
- ¹² THIS APPLICATOR APPLIES TERMINAL WITH A SEAL. INSULATION RANGLE QUOTED IS THAT OF THE TERMINAL. THE SEAL INSULATION RANGE IS 4.0-4.5mm [1.57-.177 IN.]
- ¹³ APPLY TORO-SEAL IN ALLEN SOCKET TO FILL HOLE AFTER FLAT HD HAS BEEN ADJUSTED TO CORRECT HEIGHT AT QUALIFICATION. APPLY #1-23419-5 LOC-TITE TO THREADS.
- ¹⁴ CUT TO LENGTH AT ASSEMBLY.
- ¹⁵ RELOCATE ITEM 19 TO BACK OF APPLICATOR AFTER TURNING STRIPPER MOUNT 180 DEGREES.

***WARNING**
 ON INSTALLATION, SET WIRE DISC, ITEM 40 TO LARGEST WIRE SIZE SETTING. USE OF SETTINGS BELOW MINIMUM REQUIRED CRIMP HEIGHT SETTING WILL CAUSE DAMAGE TO CRIMP TOOLING.

-	1	1	1	1803078-1	SPACER, PRECISION	259
-	1	1	1	2119782-1	FINE ADJUST HEAD ASM, PACIFIC STYLE	251
-	-	-	-	2119640-1	PUSH ROD, AIR FEED	250
-	-	-	-	2079988-1	BUSHING, LCH5-12, MISUMI	249
-	1	1	1	1-22279-3	SPRING, COMPRESSION	246
-	1	1	1	2119082-8	CAM, SNAIL, INSULATION ADJUSTMENT	244
-	1	1	1	2079764-1	WASHER, WAVE SPRING, CREST-TO-CREST	243
-	1	1	1	2119083-1	RETAINER, INSULATION DIAL	242
-	-	2	-	2168400-6	SHCS, LOW HEAD, RoHS, M5 X 16	240
-77	-27	-25	-22	PART NO	DESCRIPTION	ITEM NO

PACIFIC VERSION
 Shown on sheets 3 of 4 & 4 of 4
 (Atlantic version shown on sheets 1 of 4 & 2 of 4)

SET UP GAUGE	LOC	DIST	REVISIONS			
2119599-1	A	66	REV	DATE	BY	APPV
			-	SEE SHEET 1	-	-

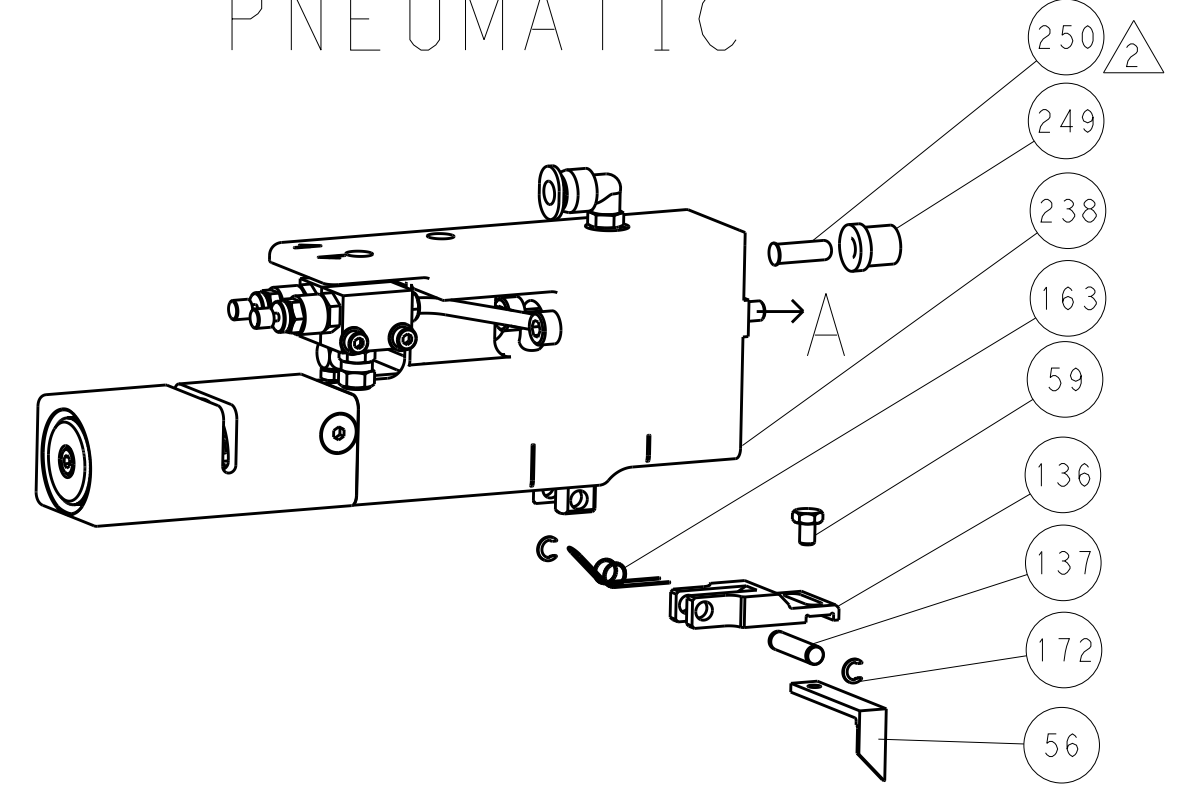
-	-	-	-	2119580-1	MECHANICAL FEED ASSEMBLY	239
-	-	-	1	2063440-2	AIR FEED MODULE	238
-	1	1	1	1633782-7	FENCE	230
-	-	1	-	2119740-2	TAG, IDENTIFICATION	213
-	-	1	-	1901094-3	SPACER, FEEDER	198
-	-	-	2	21045-3	RING, RETAIN, EXTERN, 3/16 CRESCENT	172
-	1	1	1	994969-1	MAGNET, RARE EARTH HIGH ENERGY	166
-	REF	REF	REF	994970-2	COUNTER, MAGNETIC	164
-	-	-	1	240638-1	SPRING, FEED FINGER	163
-	1	1	1	8-21084-1	O-RING, .801 ID, .070 DIA. MAT.	152
-	-	-	1	2119641-2	FEED CAM, AIR FEED	151
-	1	1	1	2119798-2	DETENT PIN	145
-	1	1	1	2079383-8	SCR, BHSC, RoHS (M4 X 16)	144
-	4	4	4	2168400-5	SHCS, LOW HEAD, RoHS, M4 X 20	143
-	-	-	-	2119653-2	FEED CAM, POST FEED	142
-	1	1	1	1-2119656-8	APPLICATOR BASIC ASSEMBLY, SF	141
-	1	1	1	2161312-1	RAM, STEPPED, ASIAN STYLE, SIDE FEED	140
-	1	1	1	2119092-2	BOLT, ADJUSTMENT	139
-	-	-	1	3-23627-7	PIN, RETAIN, GRVD, 3/16 X .854	137
-	-	-	1	2119799-1	HOLDER, FEED FINGER, AF	136
-	-	REF	-	SEE NOTE 4	MEMORY CHIP, PROGRAMMED	135
-	-	1	-	1633743-1	SERVO FEED LATCH ASM	133
-	1	1	1	1-18028-2	WASHER, FLAT, REG M4	119
-	1	1	1	1-455888-1	SPACER, CRIMPER	82
-	1	1	1	1803096-1	EXTENSION PLATE	78
-	1	1	1	2119956-1	DOCUMENTATION PACKAGE	71
-	1	1	1	1-2119791-2	DEPRESSOR, WIRE	70
-	1	1	1	2119943-1	WASHER, SPACER	69
-	1	-	1	2119740-1	TAG, IDENTIFICATION	67
-	2	2	2	2168078-1	SCREW, DRIVE, RH, RoHS, 2 x .188	66
-	1	1	1	2119793-1	LIMITER, ADJUSTMENT BOLT	63
-	3	3	3	992763-5	SCR, SET, SOC, CONE POINT, M3 x 4.0	62
-	2	2	2	2079383-4	SCR, BHSC, RoHS (M4 X 8)	60
-	-	-	-	5-18022-5	SCR, HEX HD CAP, M4 X 6.0	59
-	1	1	1	1-2168083-3	SCR, SKT HD CAP, RoHS, M3 X 16	57
-	-	-	-	1-1338683-1	FEED PAWL	56
-	2	2	2	2168083-8	SCR, SKT HD CAP, RoHS, M4 X 16	53
-	1	1	1	5018030-1	NUT, HEX, REG, RoHS, M3	52
-	1	1	1	1-811242-0	BUMPER, HOLD DOWN	51
-	1	1	1	690753-2	SPACER, TONKER	50
-	-	-	-	18023-9	SCR, SKT HD CAP M4 X 6.0	49
-	-	-	-	2119652-1	FEED CAM, PRE FEED	48
-	1	1	1	1-2079383-5	SCR, BHSC, RoHS (M8 X 40)	41
-	1	1	1	2119645-1	DISC, NUMBERED FA WIRE ADJUSTMENT	40
-	1	1	1	2119957-1	APPLICATOR SHIM PACK	39
-	1	1	1	2119644-3	RAM WASHER, PRECISION	38
-	1	1	1	1-1752356-0	SUPPORT, TERMINAL	34
-	2	2	2	1-2079383-3	SCR, BHSC, RoHS (M4 X 25)	33
-	1	1	1	2161328-1	HEX HEAD, FLANGED, M5 x 8mm LONG	32
-	1	1	1	3-455888-7	SPACER, CRIMPER	31
-	1	1	1	1-1320908-8	SPACER, STRIP GUIDE	30
-	1	1	1	2119959-6	ASSEMBLY, STRIP GUIDE	29
-	1	1	1	1-455888-9	SPACER, CRIMPER	28
-	2	2	2	22283-1	SPRING, COMPRESSION	27
-	2	2	2	2168083-1	SCR, SKT HD CAP, RoHS, M3 X 8.0	26
-	1	1	1	240792-1	DRAG, TERMINAL	25
-	1	1	1	2-1320928-2	STRIP GUIDE	24
-	1	1	1	2168083-2	SCR, SKT HD CAP, RoHS, M4 X 8.0	21
-	1	1	1	1-18028-2	WASHER, FLAT, REG M4	20
-	1	1	1	1803013-1	STRIPPER, SIDE FEED	19
-	1	1	1	1-690438-0	FRONT STRIP GUIDE	18
-	1	1	1	4-22280-7	SPRING, COMPRESSION	12
-	1	1	1	1-18023-1	SCR, SKT HD CAP M4 X 10.0	11
-	1	1	1	1-2119805-1	SHEAR HOLDER, FRONT	10
-	1	1	1	318059-9	FLOATING SHEAR, FRONT	9
-	1	1	1	1-1633930-4	ANVIL, COMBINATION	8
-	1	1	1	2-240641-9	SPACER	7
-	-	-	-	-	-	6
-	1	1	1	1803080-5	DEPRESSOR, SHEAR	5
-	1	1	1	5-238011-4	BLOCK, CRIMPER SPACER	4
-	1	1	1	1-1633965-7	CRIMPER, INSULATION O PREMIUM	3
-	1	1	1	1-455888-0	SPACER, CRIMPER	2
-	1	1	1	456415-1	CRIMPER, WIRE .155 F PREMIUM	1
-77	-27	-25	-22	PART NO	DESCRIPTION	ITEM NO

DIMENSIONS:		TOLERANCES UNLESS OTHERWISE SPECIFIED:		DWG		REV	
mm	0 PLC ±.5	1 PLC ±0.5	2 PLC ±0.13	3 PLC ±0.013	4 PLC ±0.001	BOB HIGMAN	11DEC2012
	ANGLES ±.0001					G. BAILEY	11DEC2012
						M. CLIFFORD	11DEC2012
MATERIAL	FINISH	WEIGHT	SCALE	SIZE	CAGE CODE	DRAWING NO	RESTRICTED TO
			1:2	A1	00779	2151781	
Customer Accessible Production Drawing				SHEET 3 OF 4			

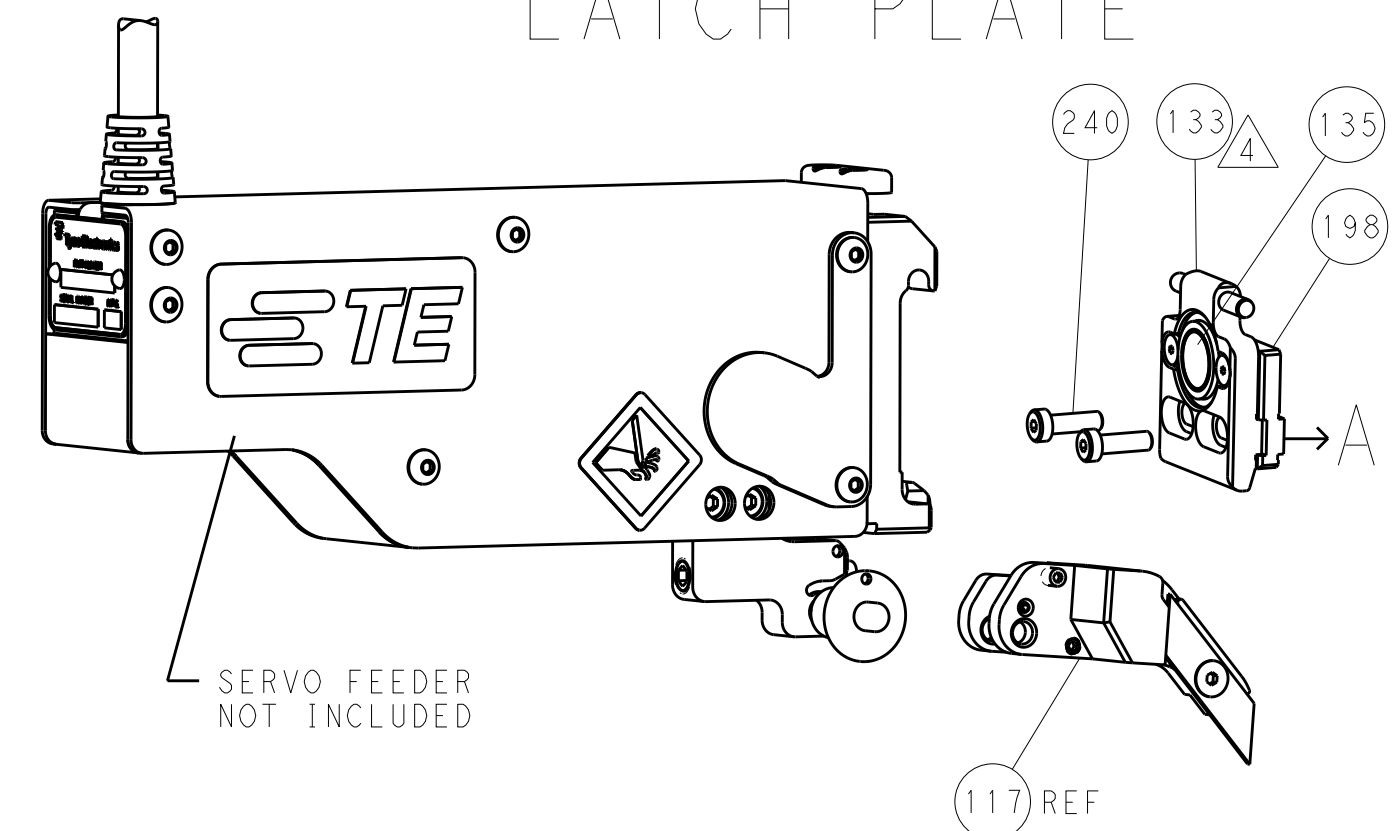
LOC	DIST	REV	DATE	BY	APPV
A	66				

FEED TYPE

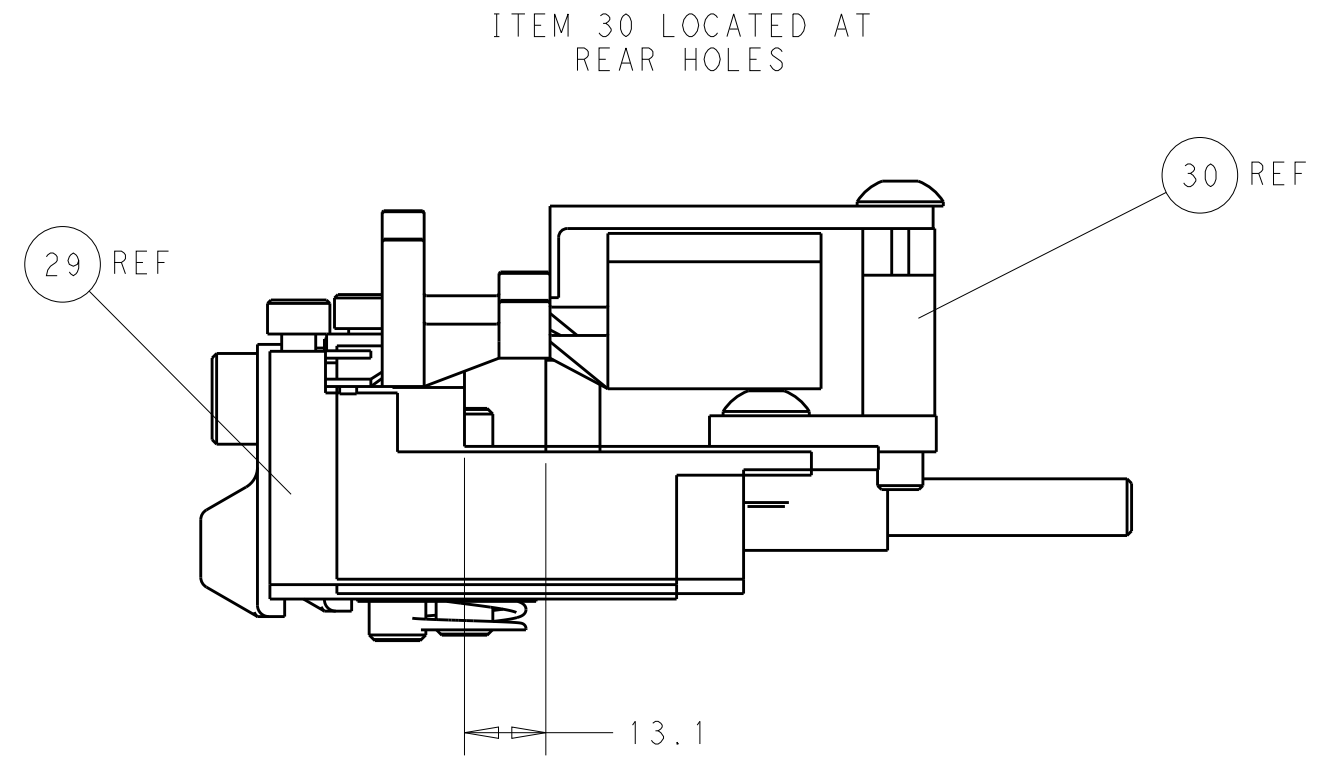
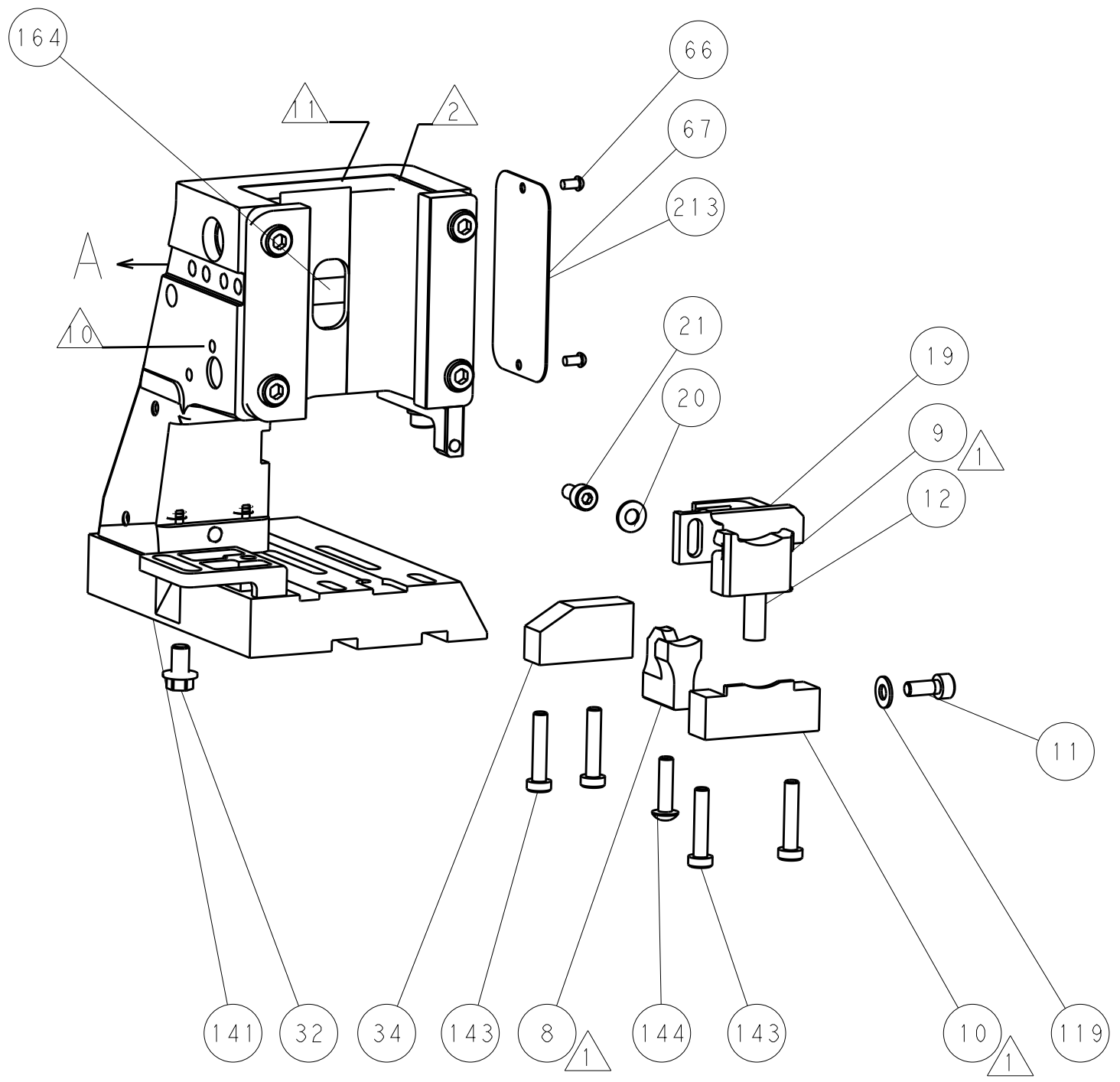
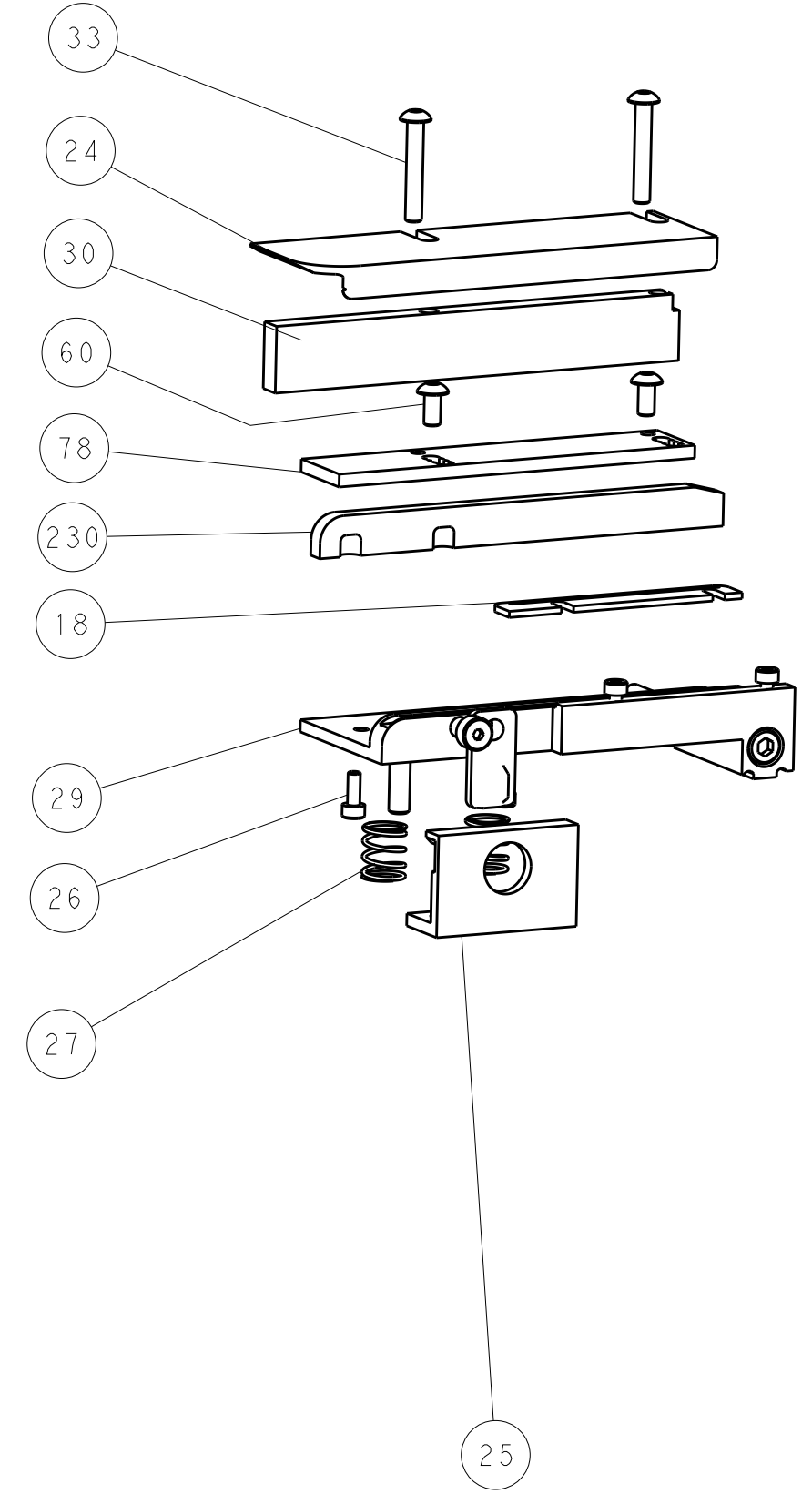
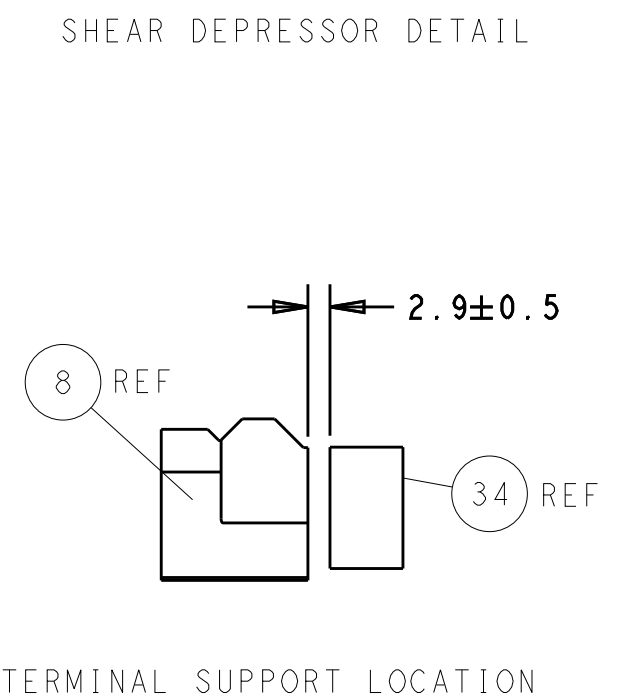
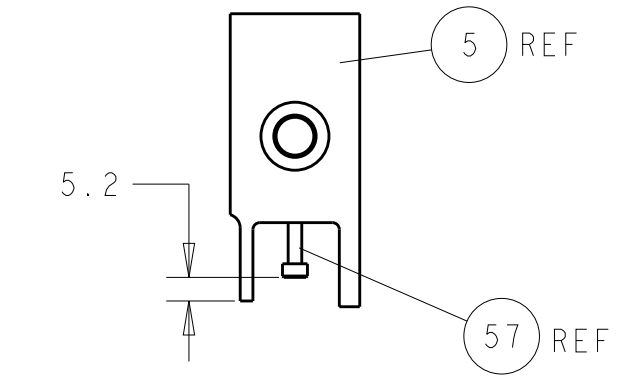
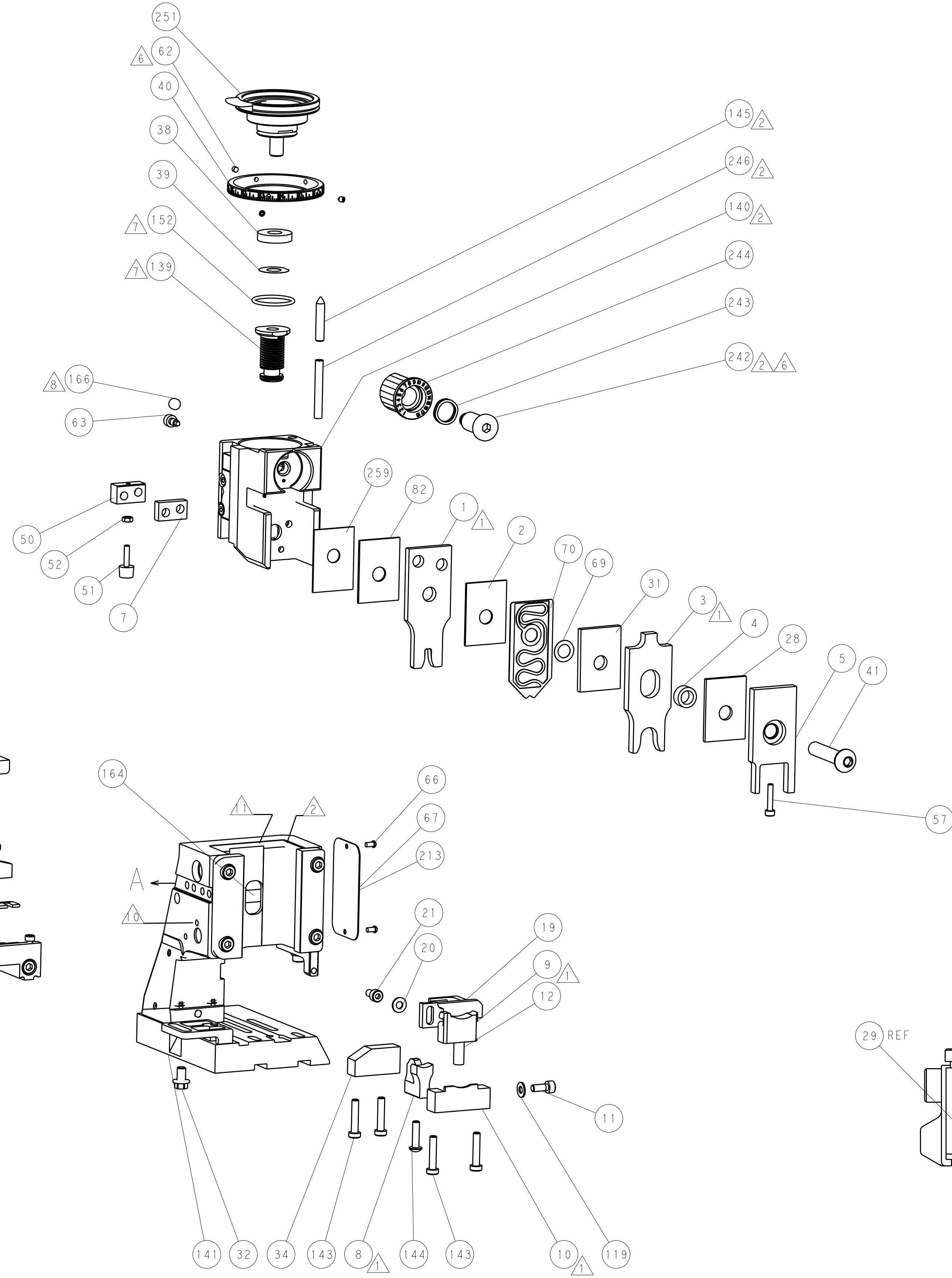
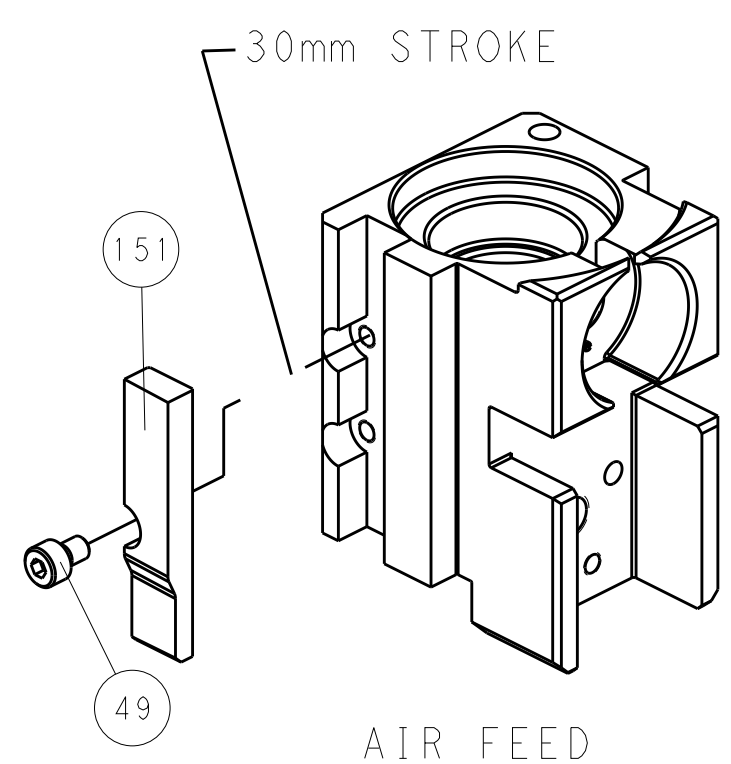
PNEUMATIC



SERVO LATCH PLATE



CAM POSITION



PACIFIC VERSION
 Shown on sheets 3 of 4 & 4 of 4
 (Atlantic version shown on sheets 1 of 4 & 2 of 4)

DIMENSIONS: mm 		TOLERANCES UNLESS OTHERWISE SPECIFIED: 0 PLC ±0.5 1 PLC ±0.13 2 PLC ±0.13 3 PLC ±0.013 4 PLC ±0.001 ANGLES ±0.001		DWN BOB HIGMAN 11DEC2012 CHK G. BAILEY 11DEC2012 APVD M. CLIFFORD 11DEC2012 NAME PRODUCT SPEC APPLICATION SPEC WEIGHT MATERIAL		TE Connectivity Harrisburg, PA 17105-3608 Ocean Side Feed Applicator SIZE CAGE CODE DRAWING NO A1 00779 C=2151781 Customer Accessible Production Drawing		RESTRICTED TO SCALE 1:2 SHEET 4 OF 4 REV C1	
-----------------------	--	---	--	---	--	--	--	--	--