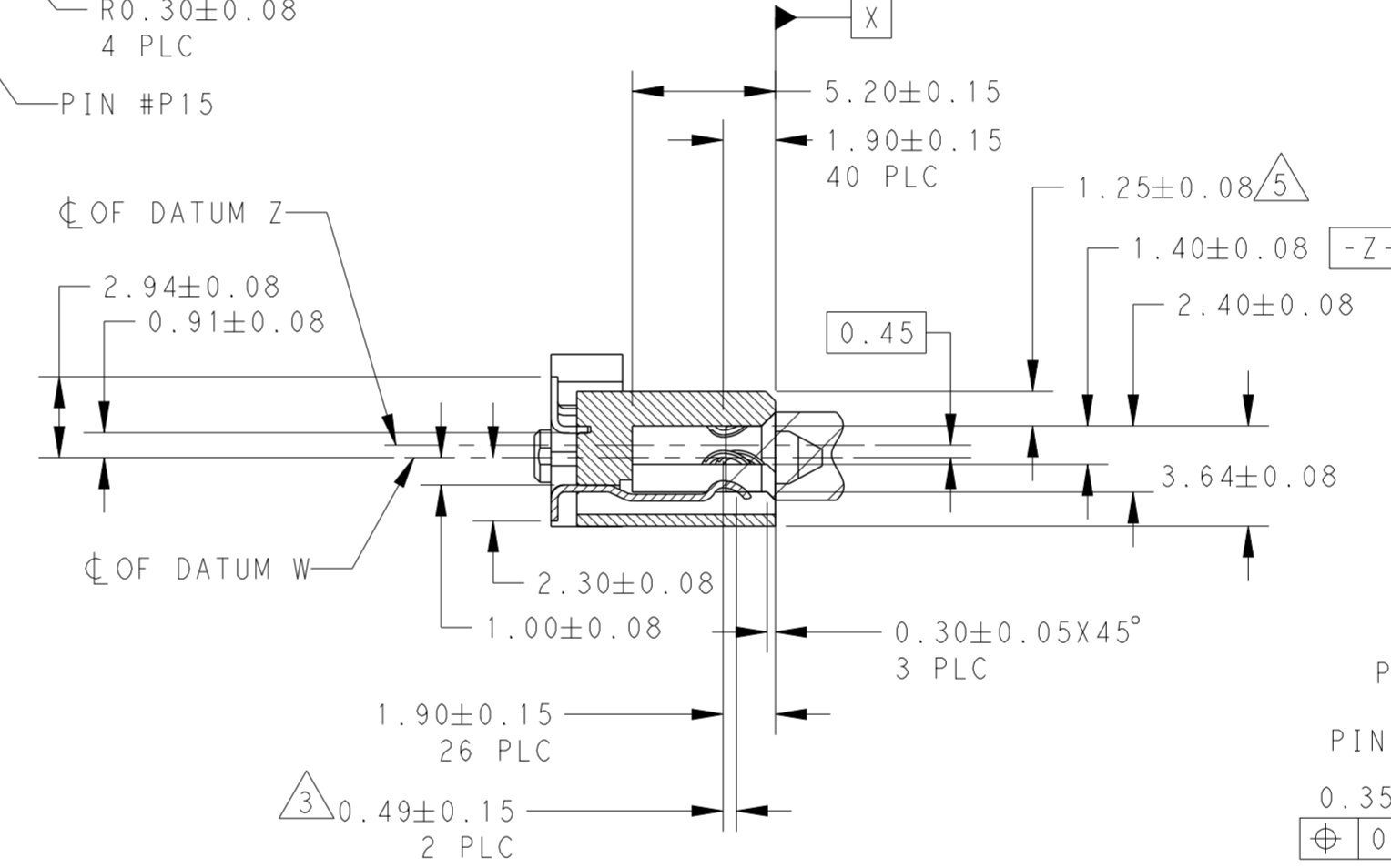
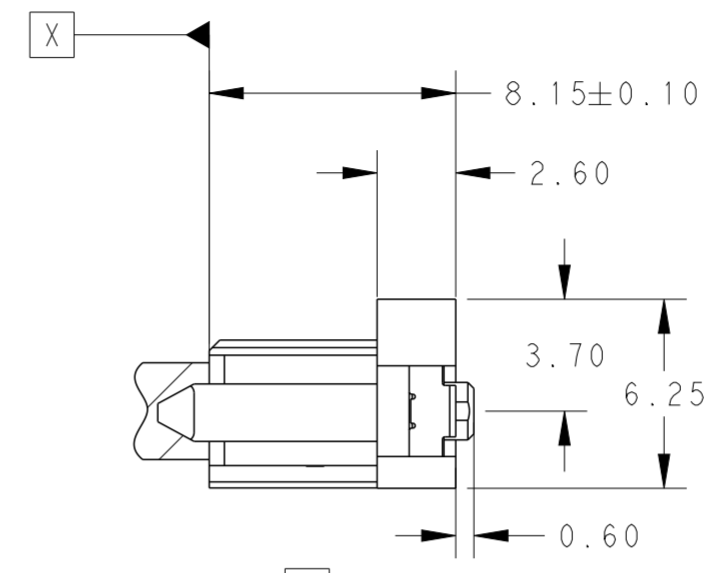
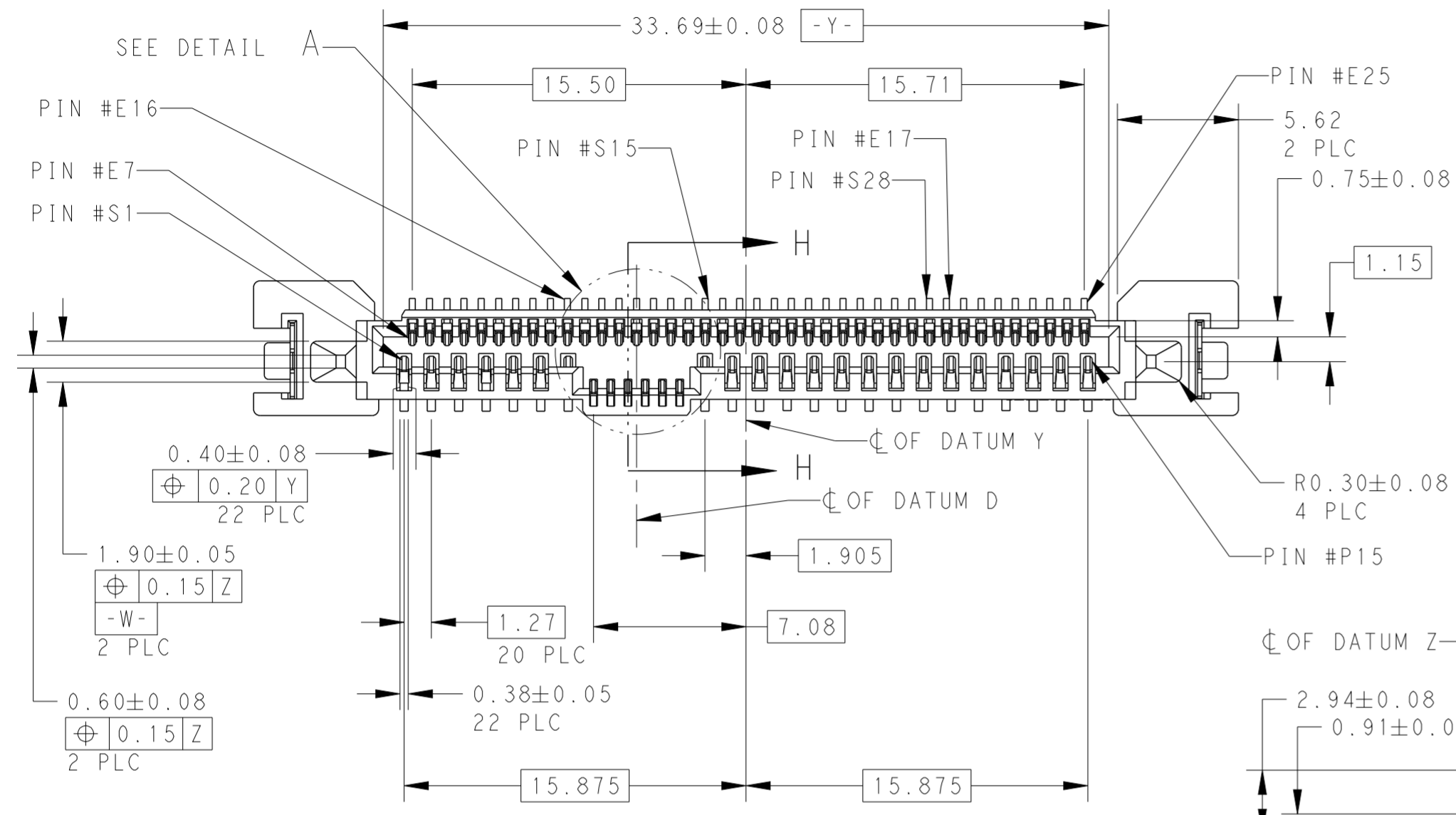
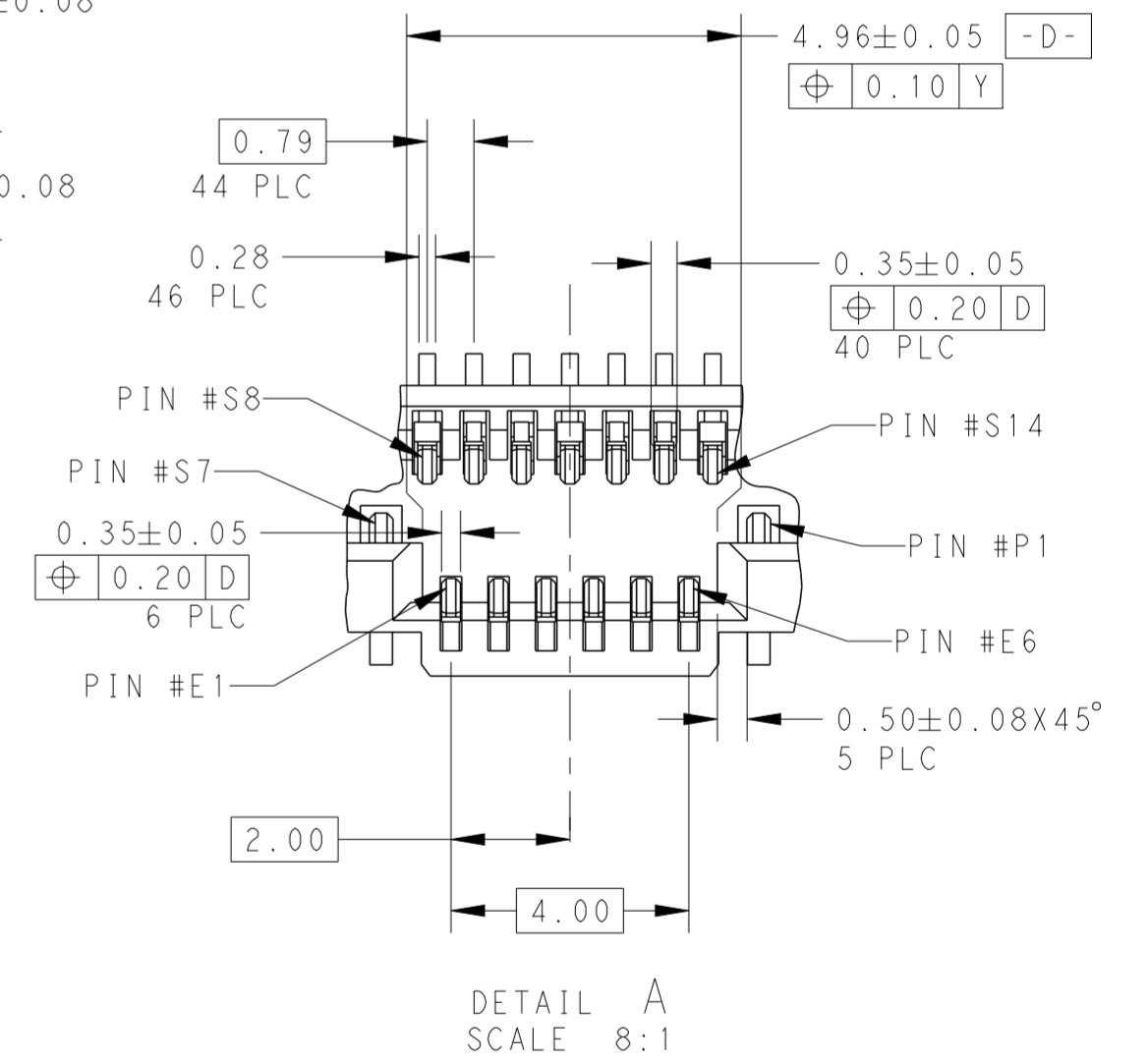
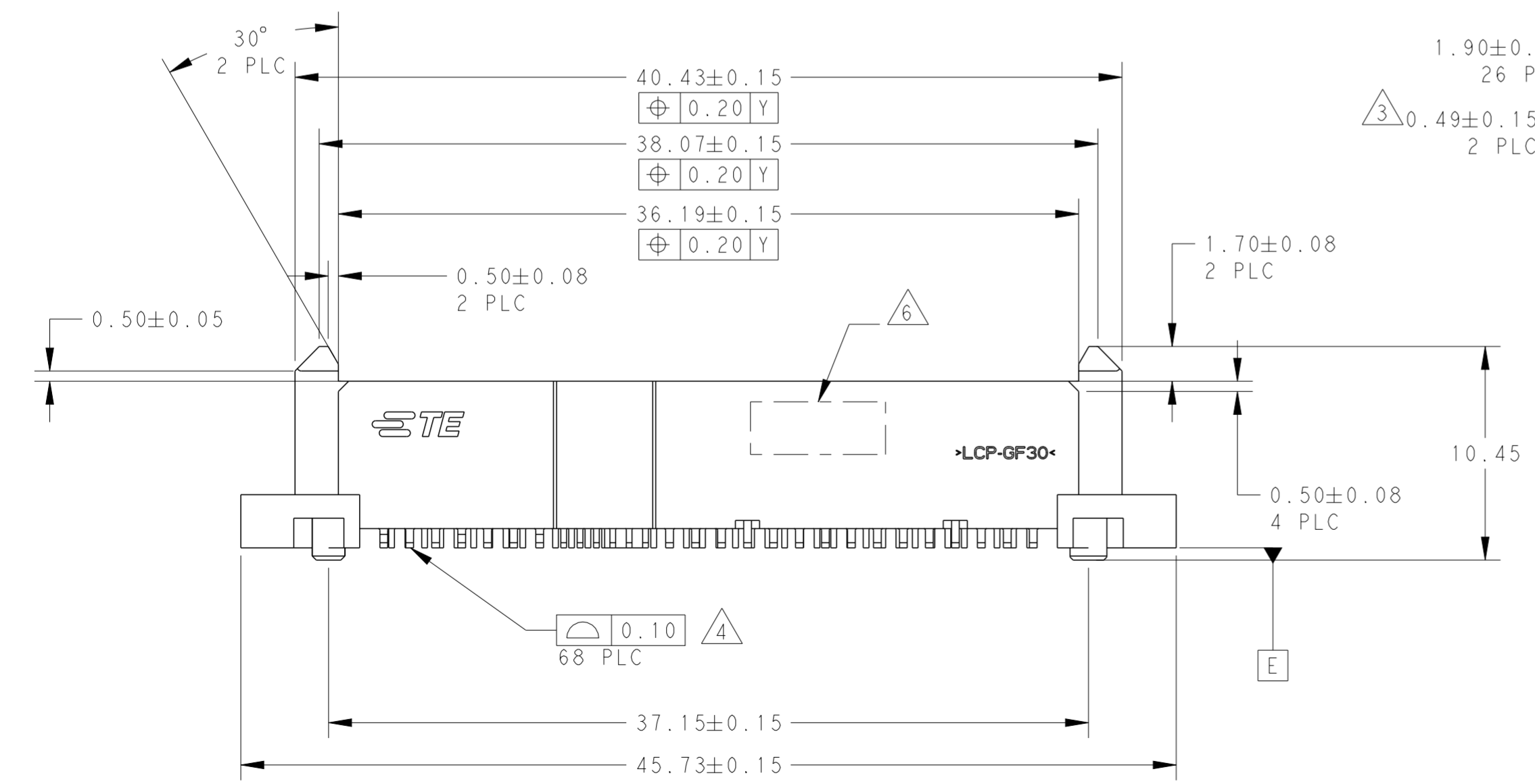


THIS DRAWING IS UNPUBLISHED. RELEASED FOR PUBLICATION 20  
 © COPYRIGHT 20 BY - ALL RIGHTS RESERVED.

REVISIONS					
P	LTR	DESCRIPTION	DATE	DWN	APVD
A		RELEASED FOR PRODUCTION	04MAR2016	TX	SH
A1		ADDED NOTE 6	28FEB2024	NR	JM



- NOTES:
- 1 MATERIAL:  
HOUSING: HIGH TEMP THERMOPLASTIC, UL94V-0,  
COLOR: BLACK  
CONTACT: COPPER ALLOY  
BOARDLOCK: COPPER ALLOY
  - 2 FINISH:  
CONTACT AREA: MIN 0.76µm GOLD PLATING  
SOLDERTAIL: MIN 2.54µm MATTE TIN PLATING  
UNDERPLATE: MIN 1.27µm NICKEL PLATING
  - 3 PIN #P4 AND #P12 ONLY
  - 4 SOLDER TAIL TO BE 0.05 MAX ABOVE  
AND 0.10 MAX BELOW DATUM E
  - 5 1.33 MAX MEASURED AT DATUM C
  - 6 DATE CODE IN APPROXIMATE LOCATION  
AS SHOWN PER 115-40002



SECTION H-H  
SCALE 4:1

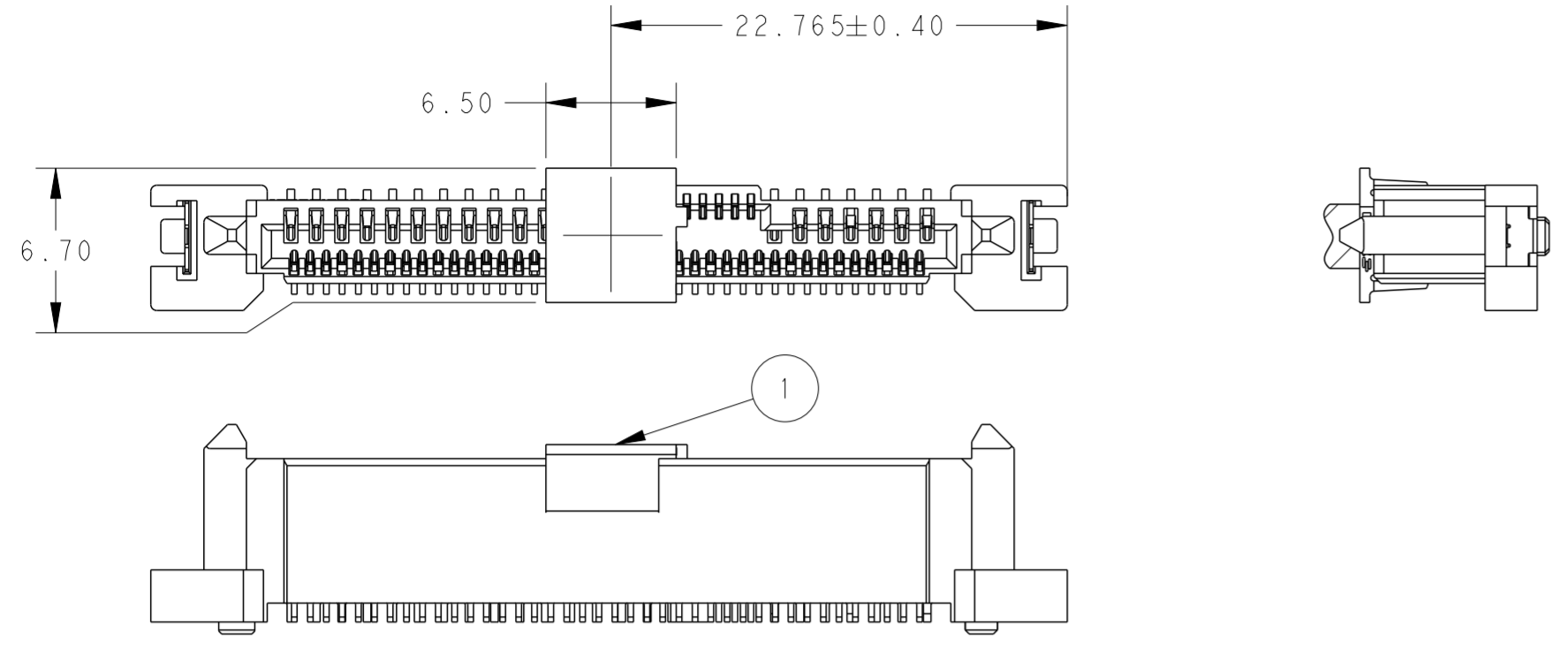
DETAIL A  
SCALE 8:1

YES	2170560-2
NO	2170560-1
PICK-UP CAP (1)	PART NUMBER

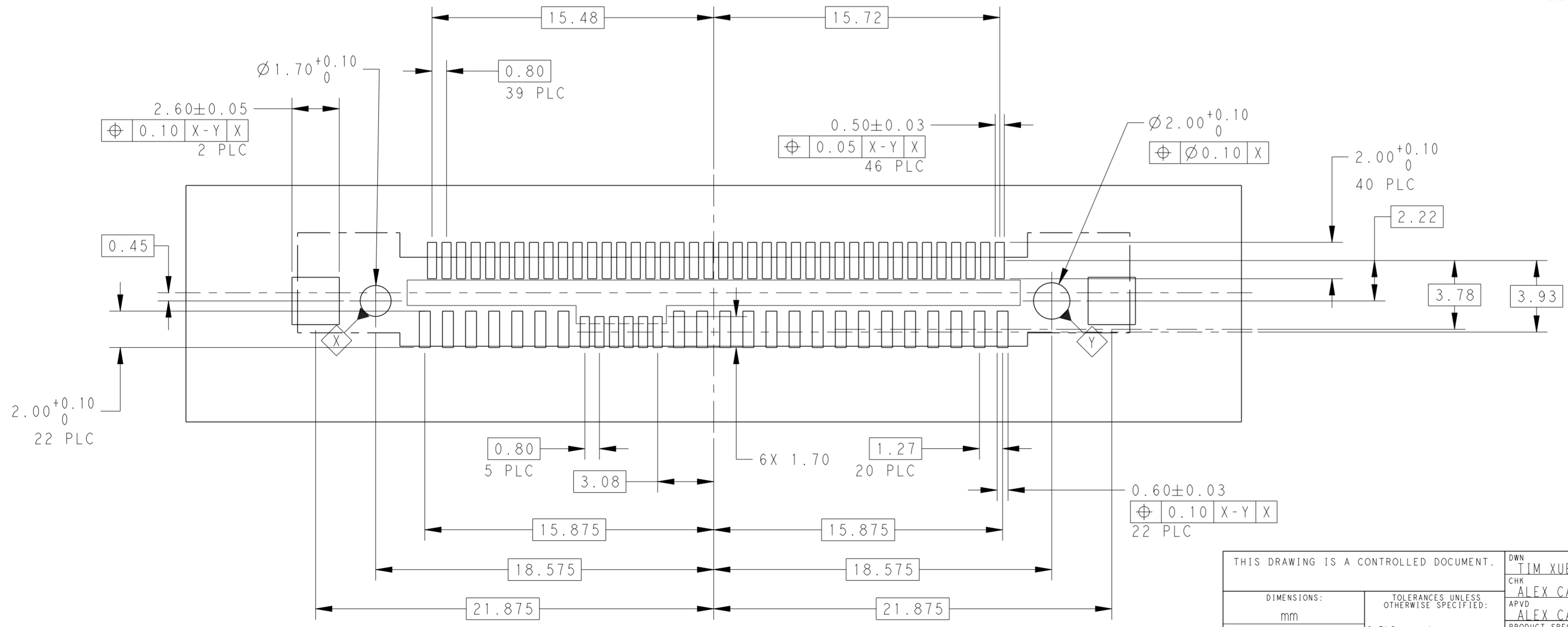
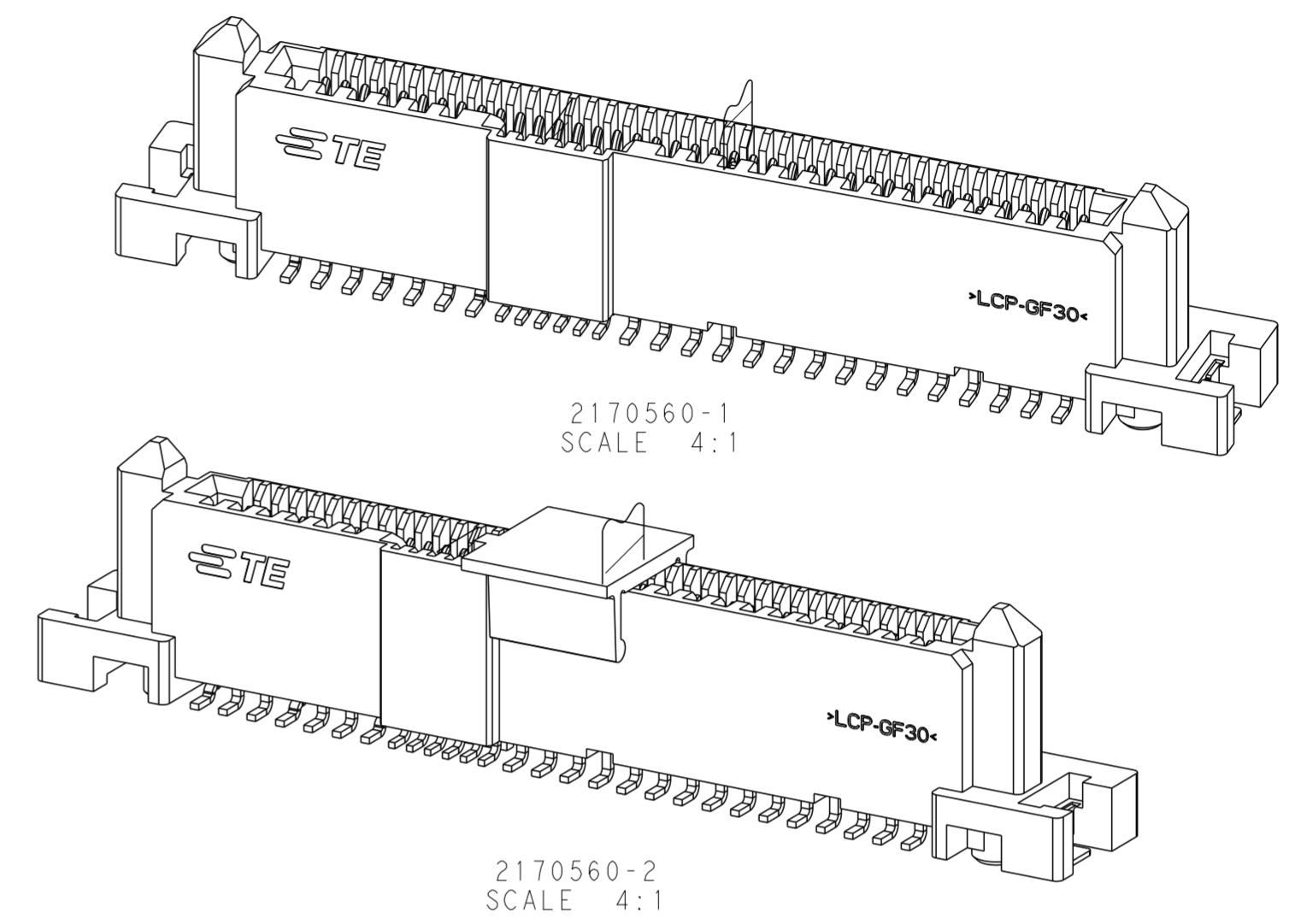
THIS DRAWING IS A CONTROLLED DOCUMENT.		DWN	TIM XUE	20 JUN 2013	TE Connectivity NAME: 12G SAS/PCIe COMBO RECEPTACLE, STANDARD 15P+6P+7P+40P SIZE: A2 CAGE CODE: - DRAWING NO: C-2170560 RESTRICTED TO: - WEIGHT: - SCALE: 2:1 SHEET 1 OF 2 REV: A1	
DIMENSIONS: mm		CHK	ALEX CAI	20 JUN 2013		
TOLERANCES UNLESS OTHERWISE SPECIFIED:		APVD	ALEX CAI	20 JUN 2013		
0 PLC ± 1 PLC ±0.20 2 PLC ±0.20 3 PLC ±0.20 4 PLC ±0.0001° ANGLES ±1° FINISH -		PRODUCT SPEC	108-51109	APPLICATION SPEC		
MATERIAL: -		CUSTOMER DRAWING				

THIS DRAWING IS UNPUBLISHED. RELEASED FOR PUBLICATION 20  
 © COPYRIGHT 20 BY - ALL RIGHTS RESERVED.

REVISIONS				
P	LTR	DESCRIPTION	DATE	APVD
-	-	SEE SHEET 1	-	-



P/N:2170560-2 AS SHOWN  
 RECEPTACLE WITH PICK-UP CAP



RECOMMENDED RECEPTACLE BOARD LAYOUT  
 SCALE 5:1

THIS DRAWING IS A CONTROLLED DOCUMENT.		DWN TIM XUE 20 JUN 2013	 TE Connectivity
DIMENSIONS: mm		CHK ALEX CAI 20 JUN 2013	
TOLERANCES UNLESS OTHERWISE SPECIFIED:		APVD ALEX CAI 20 JUN 2013	NAME 12G SAS/PCIe COMBO RECEPTACLE, STANDARD 15P+6P+7P+40P
0 PLC ±		PRODUCT SPEC 108-51109	SIZE A2
1 PLC ±0.20		APPLICATION SPEC 114-60017	CAGE CODE -
2 PLC ±0.20		WEIGHT -	DRAWING NO G-2170560
3 PLC ±0.20		CUSTOMER DRAWING	RESTRICTED TO -
4 PLC ±0.0001°		SCALE 2:1	SHEET 2 OF 2
ANGLES ±1°			REV A1
FINISH			