

4

3

2

1

THIS DRAWING IS UNPUBLISHED. RELEASED FOR PUBLICATION 20  
 © COPYRIGHT 20 BY - ALL RIGHTS RESERVED.

LOC	DIST	REVISIONS					
GP	00	P	LTR	DESCRIPTION	DATE	DWN	APVD
		A		RELEASE	08NOV2016	JY	SH
		B		REVISED PER ECO-19-016558	31OCT2019	JW	SH
		B2		REVISED PER ECN-23-231980	09SEP2023	RY	SZ

ORGANIZER

LIGHT PIPE

9

2170807-1, -2  
1X2 CAGE ASSEMBLY

38.50 REF

2X 18.75±0.10

2X 8.90±0.10

7.88

18.50

REAR PINS OPTIONAL

67.75 REF

-T-

9.65 REF

13.40

1.01

2.05 TYP

SEE DETAIL C SECTION A-A

OF GUIDE POST

3.0 MAX

DETAIL C  
SCALE 6:1

- COMPONENTS  
 CAGE ASSEMBLY: NICKEL-SILVER ALLOY  
 EMI SPRING: COPPER ALLOY/NICKEL PLATE  
 LIGHT PIPE: CLEAR POLYCARBONATE  
 ORGANIZER: POLYESTER
- REFERENCE APPLICATION SPECIFICATION 114-32023 FOR RECOMMENDED DRILL HOLE DIAMETER AND PLATING THICKNESS
- DATUM AND BASIC DIMENSION ESTABLISHED BY CUSTOMER
- MATES WITH QSFP28 MSA COMPATIBLE TRANSCEIVER.
- LIGHT PIPES ARE SHIPPED ASSEMBLED ON CAGE
- MINIMUM PC BOARD THICKNESS: SINGLE SIDED: 1.57 MIN  
DOUBLE SIDED: 2.20 MIN
- DATUM -A- IS TOP SURFACE OF THE HOST BOARD.
- THESE HOLES ARE OPTIONAL WHEN THE REAR PINS ARE REMOVED.
- DATE CODE (YYWWD) MARKED APPROXIMATELY AS SHOWN.

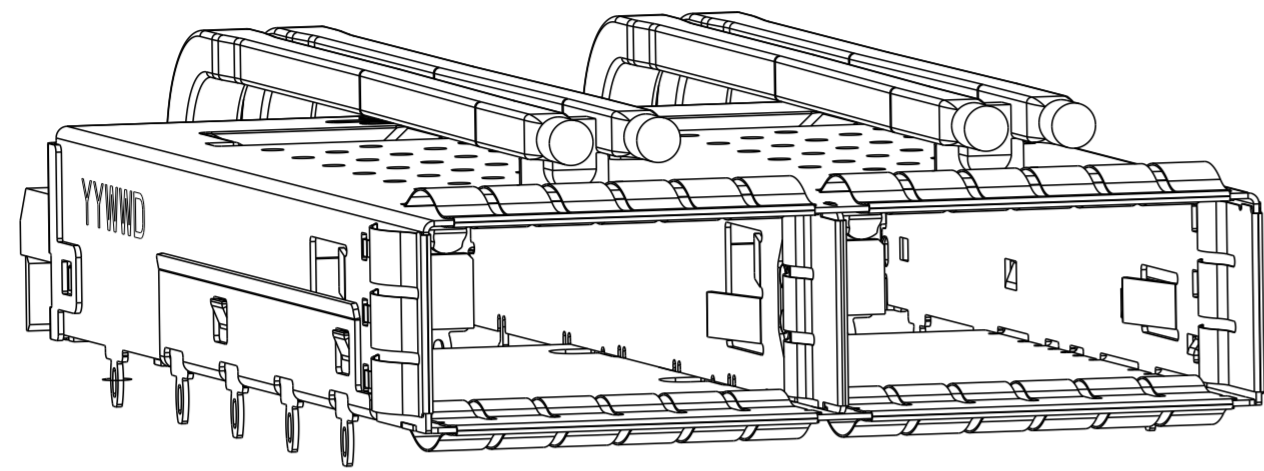
WITHOUT	DUAL LP	2170807-6
WITH	DUAL LP	2170807-5
WITHOUT	QUAD LP	2170807-4
WITH	QUAD LP	2170807-3
WITHOUT	DUAL LP	2170807-2
WITH	DUAL LP	2170807-1
REAR PINS OPTIONAL	LIGHT PIPE OPTIONAL	PART NUMBER

DIMENSIONS:		TOLERANCES UNLESS OTHERWISE SPECIFIED:		DWN		CHK		APVD		NAME	
mm		0 PLC	±	BING LIU	16SEP2014	JASON YANG	16SEP2014	SEAN HAN	08NOV2016	STE TE Connectivity	
		1 PLC	±0.25	PRODUCT SPEC		108-19428		APPLICATION SPEC		RECEPTACLE CAGE ASSEMBLY WITH LIGHT PIPES, THRU BEZEL, 1X2, QSFP28	
		2 PLC	±0.2	MATERIAL		114-32023		WEIGHT		SIZE	CAGE CODE
		3 PLC	±	SEE NOTES		SEE NOTES		CUSTOMER DRAWING		A2	00779
		4 PLC	±							DRAWING NO	RESTRICTED TO
		ANGLES	±							C-2170807	-
		FINISH	±							SCALE	SHEET
										3:1	1 OF 6
										REV	B2

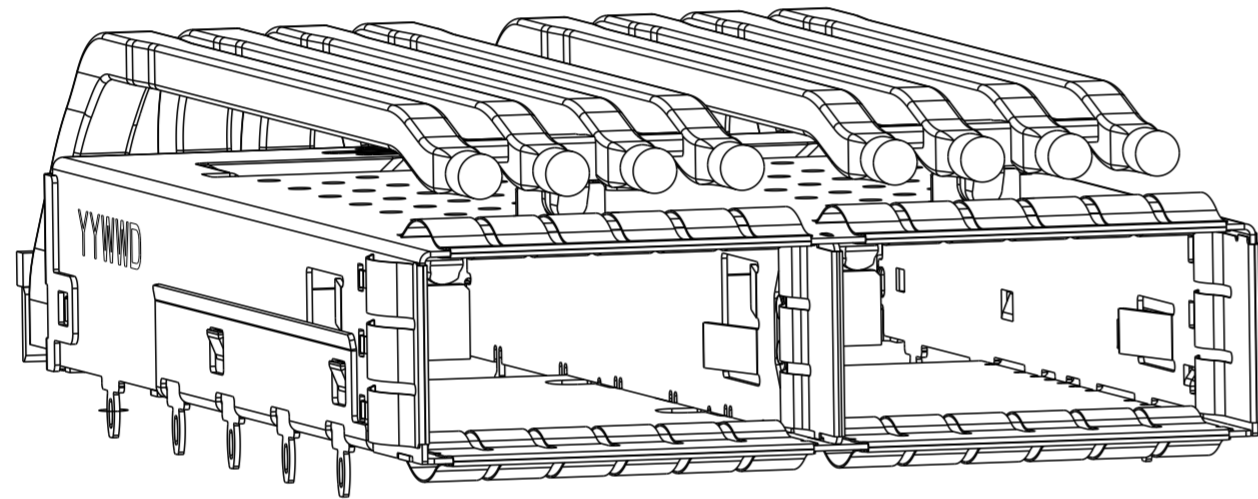
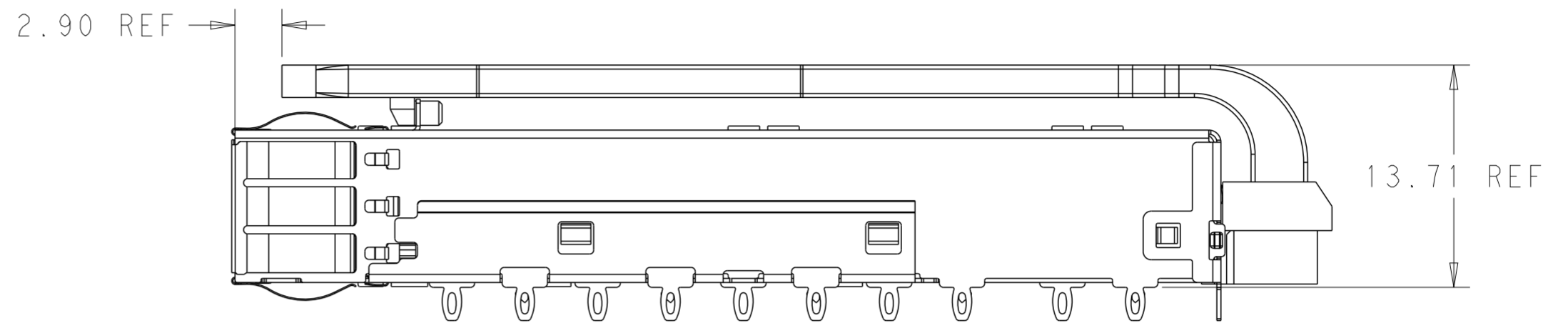
1471-9 (3/11)

THIS DRAWING IS UNPUBLISHED. RELEASED FOR PUBLICATION 20  
 © COPYRIGHT 20 BY - ALL RIGHTS RESERVED.

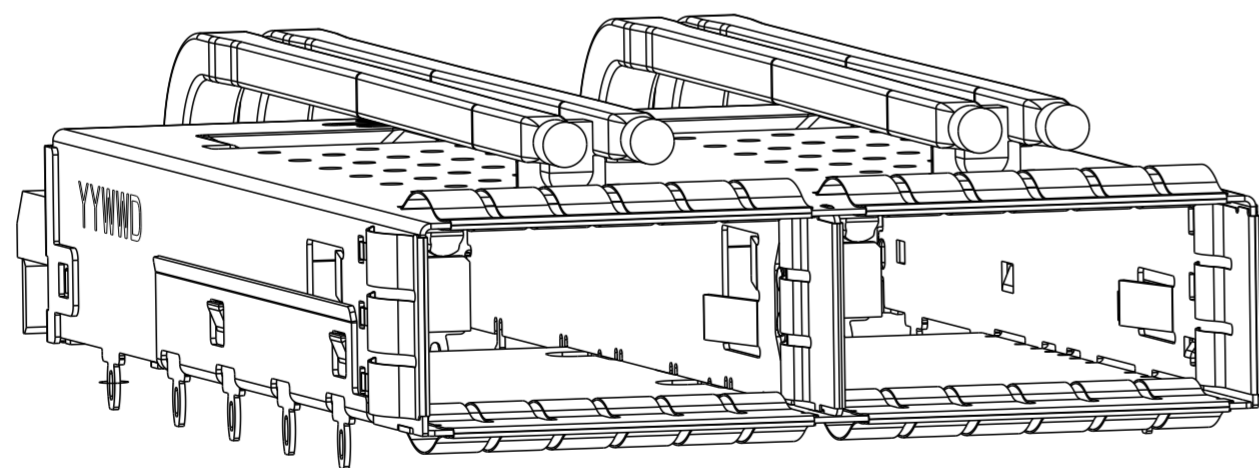
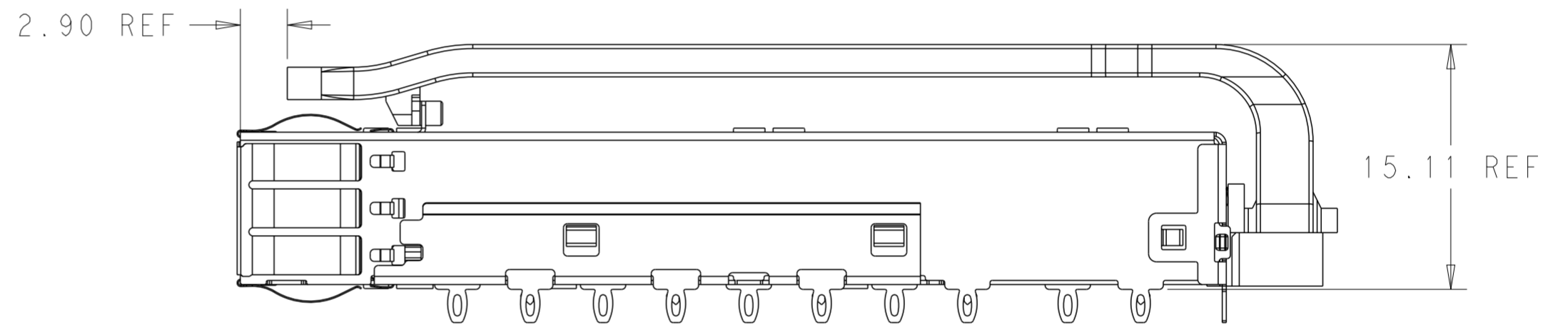
LOC		DIST		REVISIONS			
P	LTR	DESCRIPTION		DATE	DWN	APVD	
-	-	SEE SHEET 1		-	-	-	



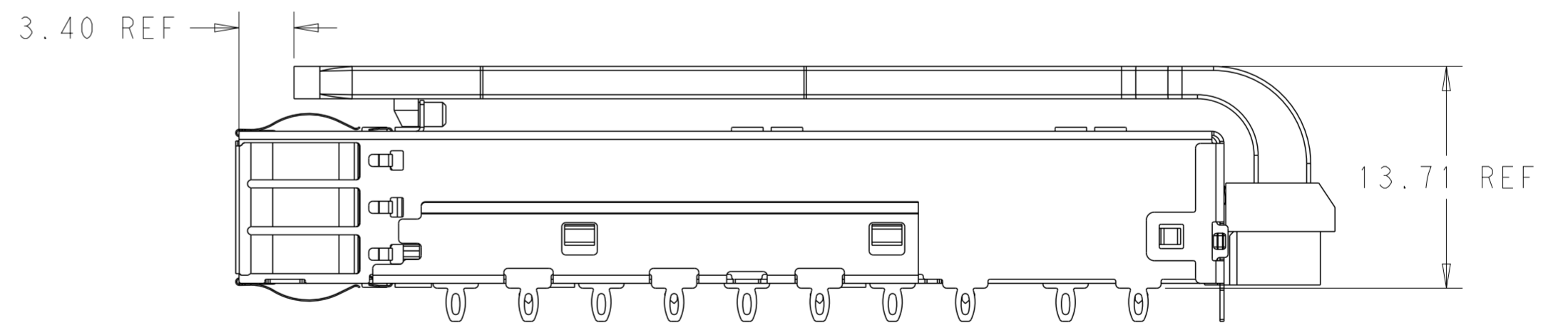
2170807-1, -2 WITH DUAL LIGHT PIPE  
SCALE 3:1



2170807-3, -4 WITH QUAD LIGHT PIPE  
SCALE 3:1



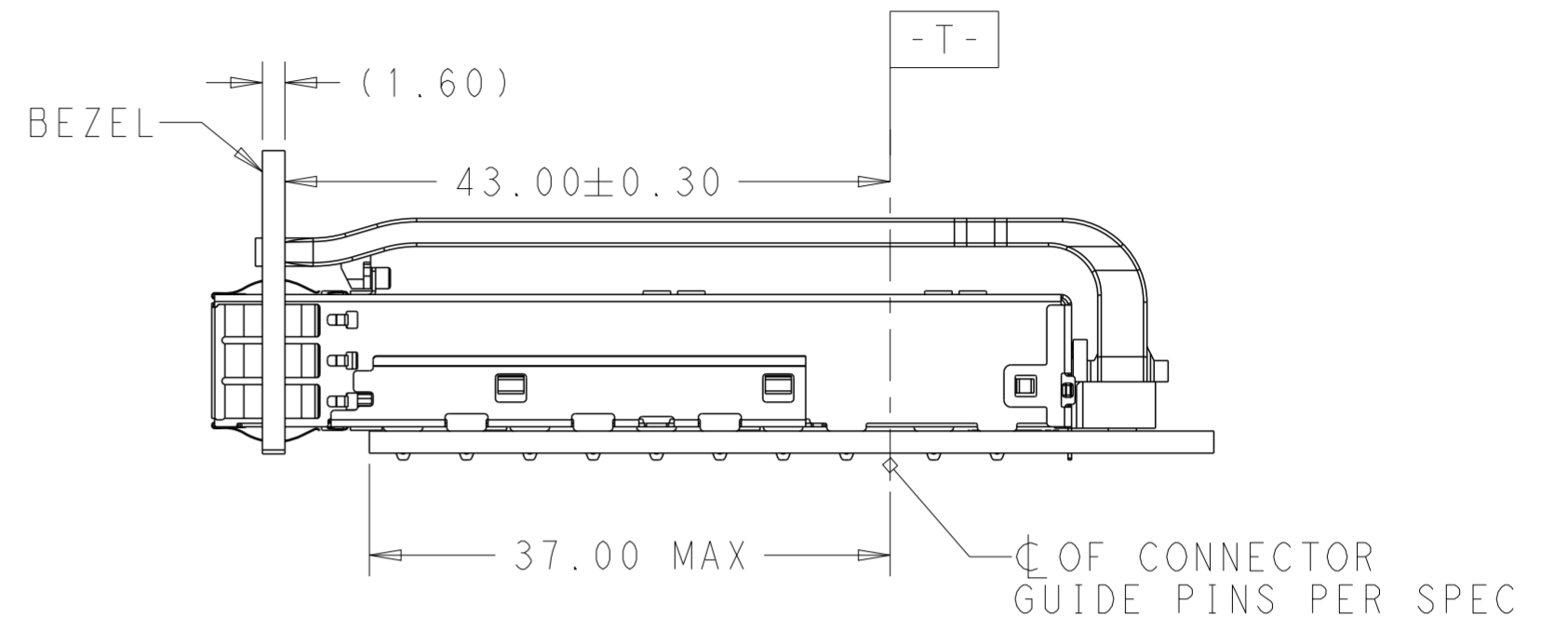
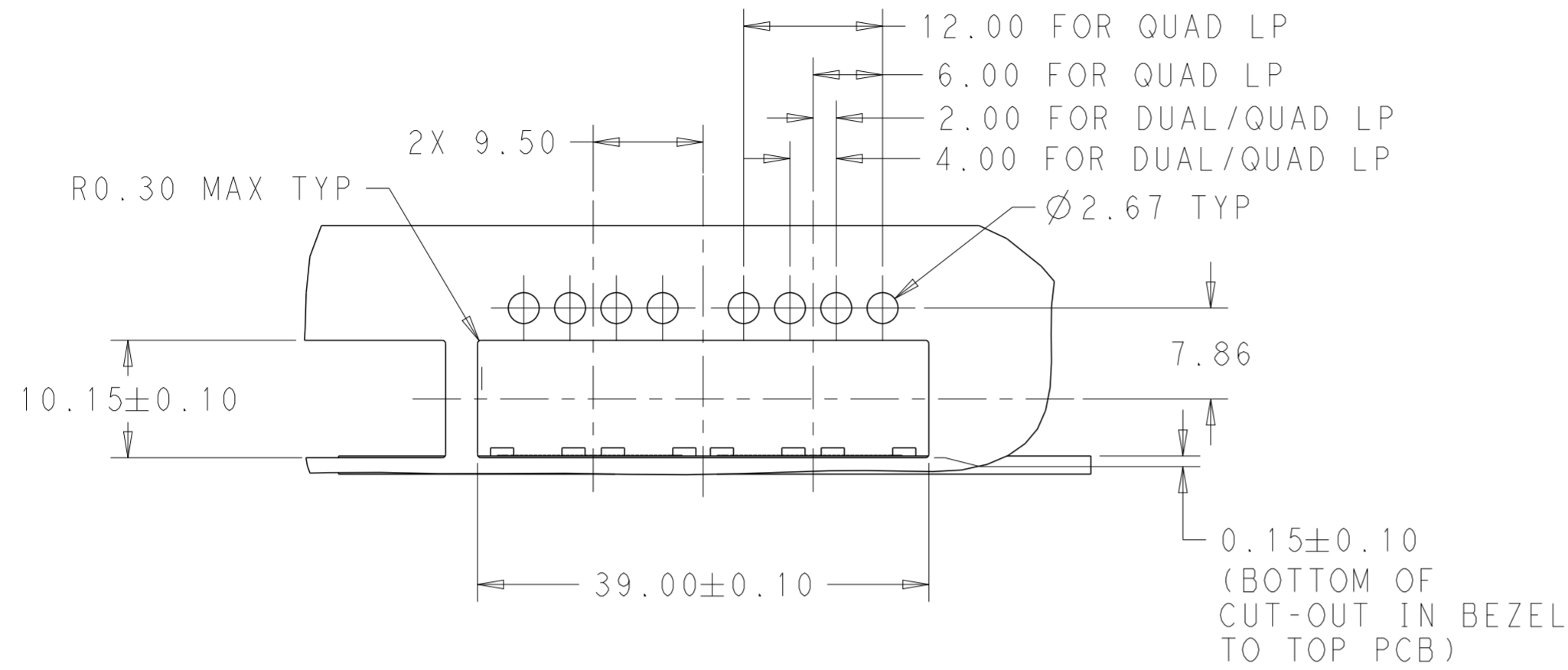
2170807-5, -6 WITH DUAL LIGHT PIPE, SHORTER  
SCALE 3:1



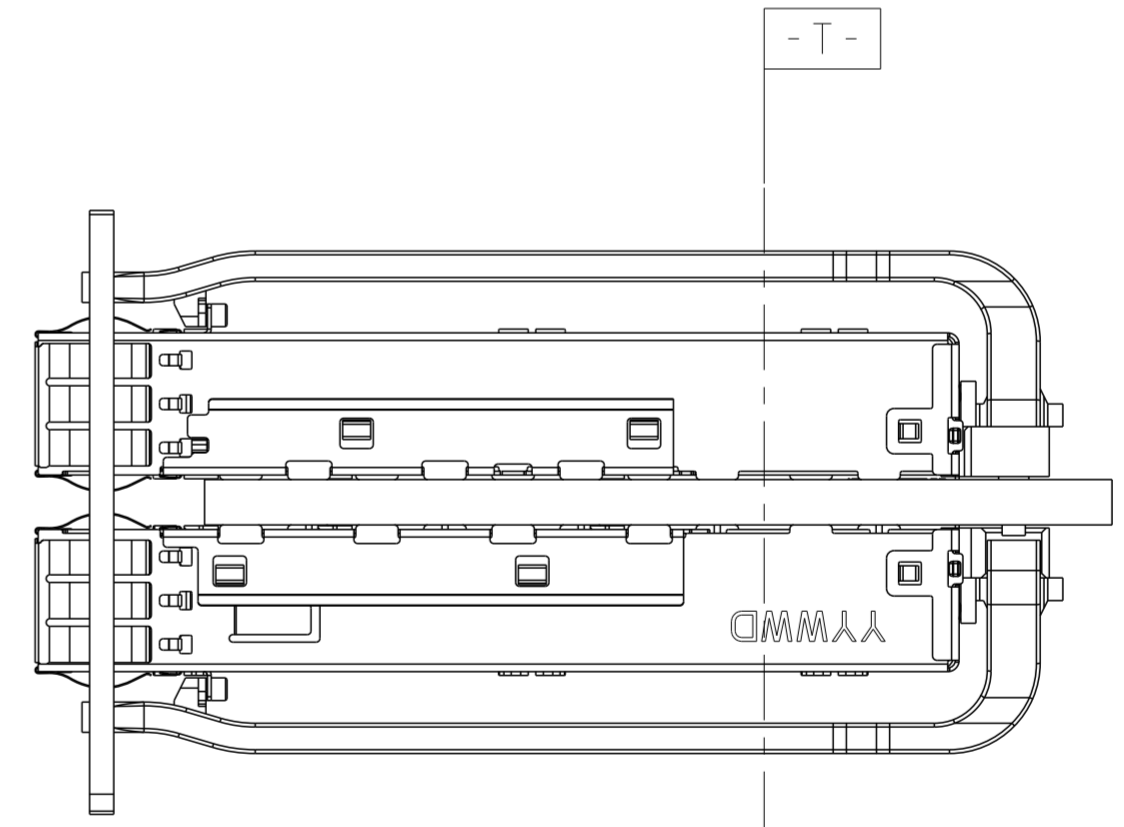
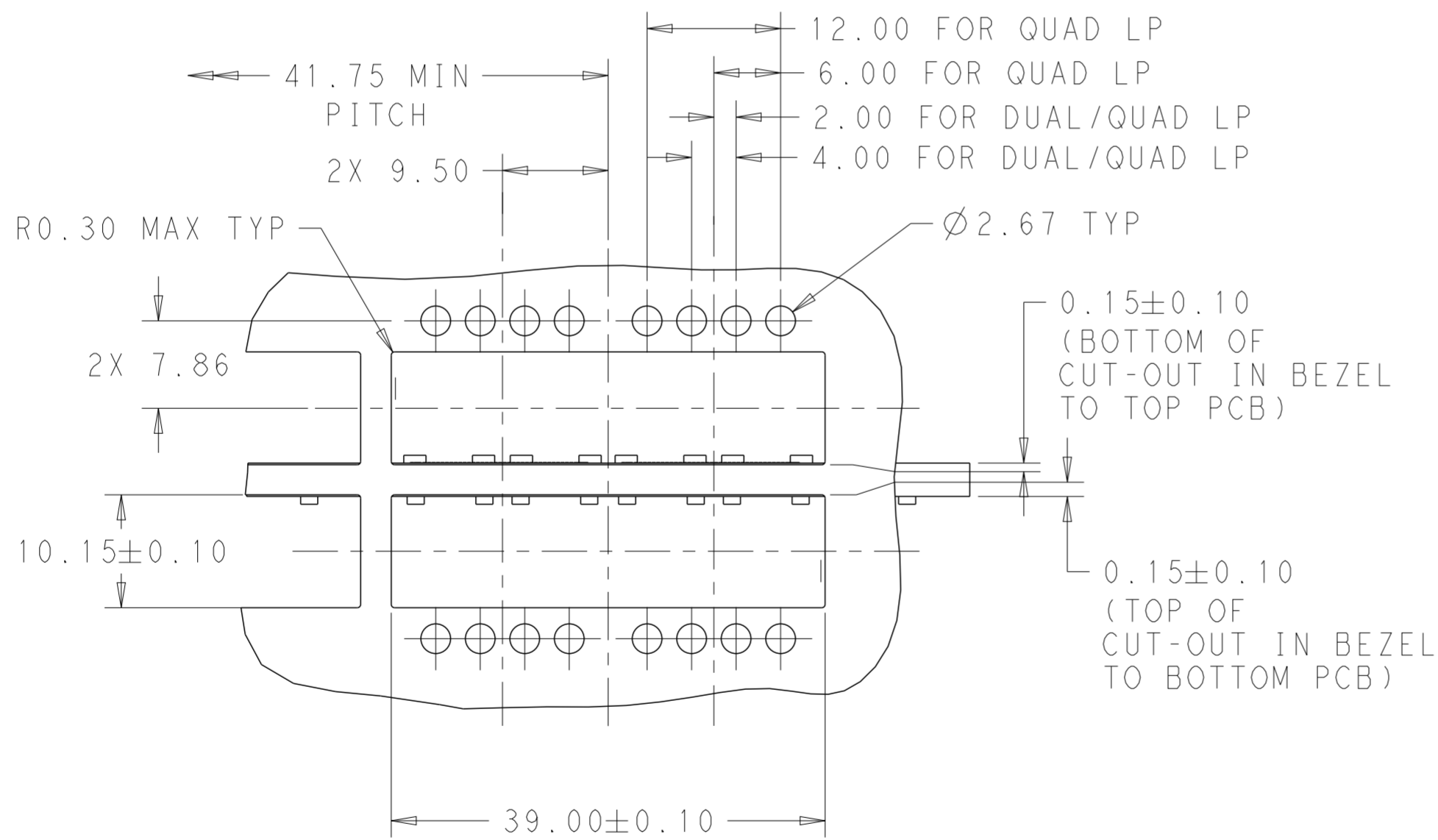
THIS DRAWING IS A CONTROLLED DOCUMENT.		DWN BING LIU 16SEP2014	<b>STE</b> TE Connectivity
DIMENSIONS: mm		CHK JASON YANG 16SEP2014	
TOLERANCES UNLESS OTHERWISE SPECIFIED:		APVD SEAN HAN 08NOV2016	NAME RECEPTACLE CAGE ASSEMBLY WITH LIGHT PIPES, THRU BEZEL, 1X2, QSFP28
0 PLC ±	1 PLC ±0.25	PRODUCT SPEC 108-19428	SIZE A200779
2 PLC ±0.2	3 PLC ±	APPLICATION SPEC 114-32023	CAGE CODE C-2170807
4 PLC ±	ANGLES ±	WEIGHT -	DRAWING NO C-2170807
MATERIAL SEE NOTES material_2	FINISH SEE NOTES finish_spec_2	CUSTOMER DRAWING	RESTRICTED TO -
		SCALE 3:1	SHEET 2 OF 6
			REV B2

THIS DRAWING IS UNPUBLISHED. RELEASED FOR PUBLICATION 20  
 © COPYRIGHT 20 BY - ALL RIGHTS RESERVED.


LOC	DIST	REVISIONS			
P	LTR	DESCRIPTION	DATE	DWN	APVD
-	-	SEE SHEET 1	-	-	-



SINGLE SIDE MOUNTING  
SCALE 2:1

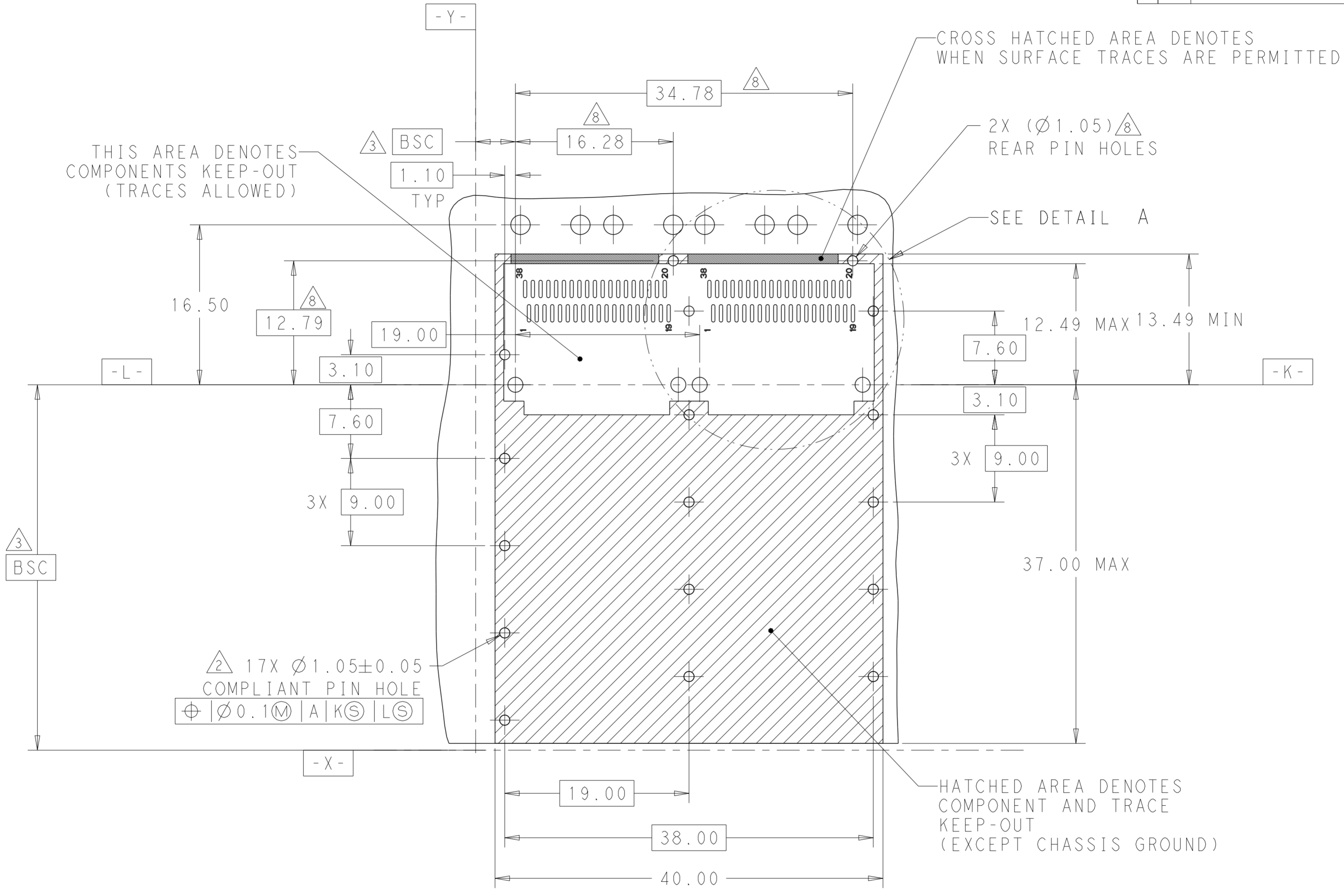


BELLY TO BELLY MOUNTING  
SCALE 2:1


THIS DRAWING IS A CONTROLLED DOCUMENT.		DWN BING LIU 16SEP2014	 TE Connectivity	
DIMENSIONS: mm		CHK JASON YANG 16SEP2014		
TOLERANCES UNLESS OTHERWISE SPECIFIED:		APVD SEAN HAN 08NOV2016	NAME RECEPTACLE CAGE ASSEMBLY WITH LIGHT PIPES, THRU BEZEL, 1X2, QSFP28	
0 PLC ±	1 PLC ±0.25	PRODUCT SPEC 108-19428	SIZE A200779	CAGE CODE C-2170807
2 PLC ±0.2	3 PLC ±	APPLICATION SPEC 114-32023	DRAWING NO C-2170807	RESTRICTED TO -
4 PLC ±	ANGLES ±	WEIGHT -	SCALE 3:1	SHEET 3 OF 6
MATERIAL SEE NOTES material_2	FINISH SEE NOTES finish_spec_2	CUSTOMER DRAWING	REV B2	

THIS DRAWING IS UNPUBLISHED. RELEASED FOR PUBLICATION 20  
 © COPYRIGHT 20 BY - ALL RIGHTS RESERVED.

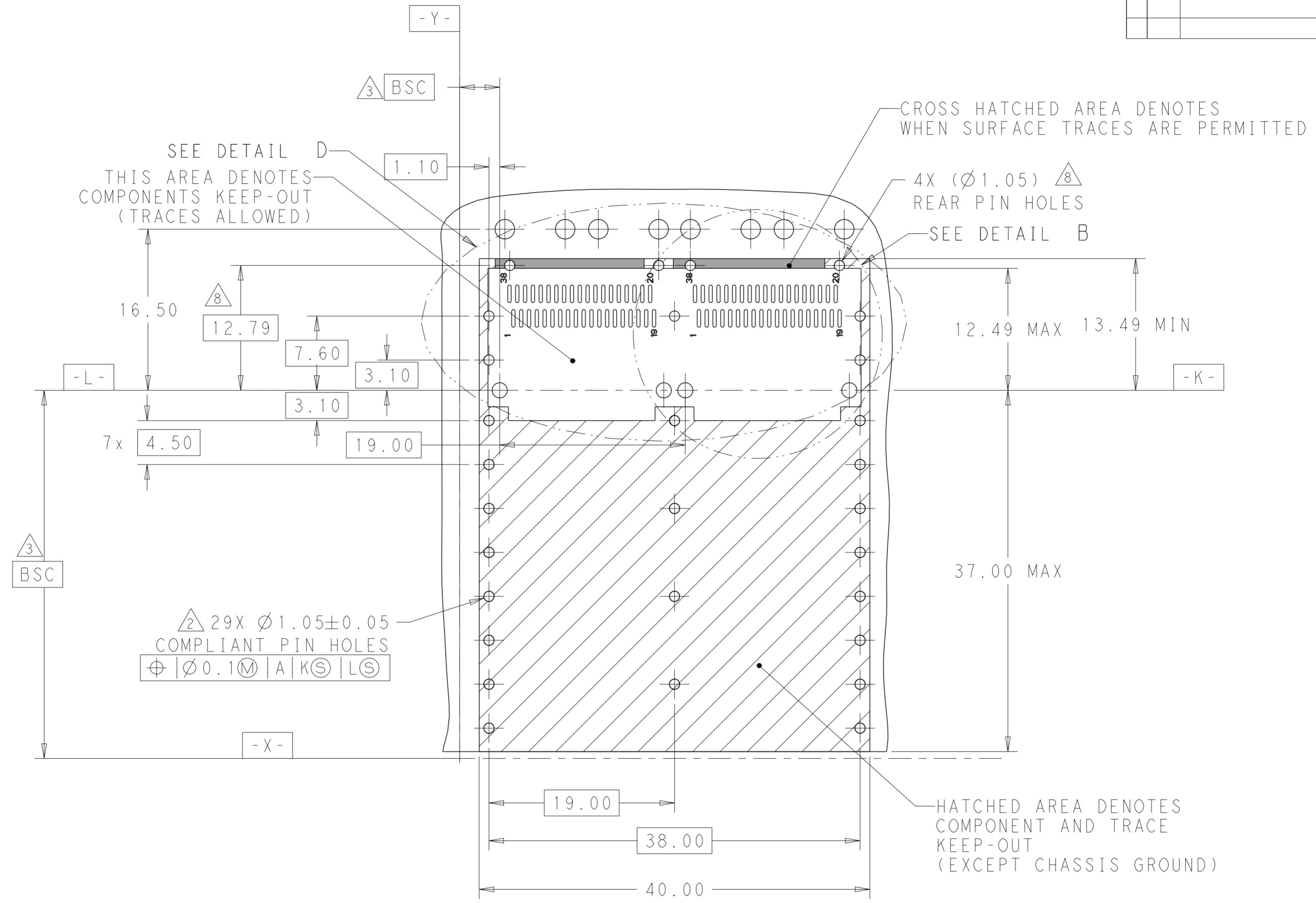
LOC		DIST		REVISIONS			
P	LTR	DESCRIPTION		DATE	DWN	APVD	
-	-	SEE SHEET 1		-	-	-	



RECOMMENDED PCB LAYOUT  
 SINGLE TYPE  
 PCB TOLERANCE: ±0.05  
 SCALE 3:1

THIS DRAWING IS A CONTROLLED DOCUMENT.		DWN BING LIU 16SEP2014	 TE Connectivity	
DIMENSIONS: mm		CHK JASON YANG 16SEP2014		
TOLERANCES UNLESS OTHERWISE SPECIFIED: 0 PLC ± 1 PLC ±0.25 2 PLC ±0.2 3 PLC ± 4 PLC ± ANGLES ±		APVD SEAN HAN 08NOV2016	NAME RECEPTACLE CAGE ASSEMBLY WITH LIGHT PIPES, THRU BEZEL, 1X2, QSFP28	
MATERIAL SEE NOTES material_2		FINISH SEE NOTES finish_spec_2	PRODUCT SPEC 108-19428	SIZE A200779
		APPLICATION SPEC 114-32023	DRAWING NO C-2170807	RESTRICTED TO -
		WEIGHT -	SCALE 3:1	SHEET 4 OF 6
		CUSTOMER DRAWING	REV B2	

LOC	DIST	REVISIONS			
P	LTR	DESCRIPTION	DATE	DWN	APVD
-	-	SEE SHEET 1	-	-	-

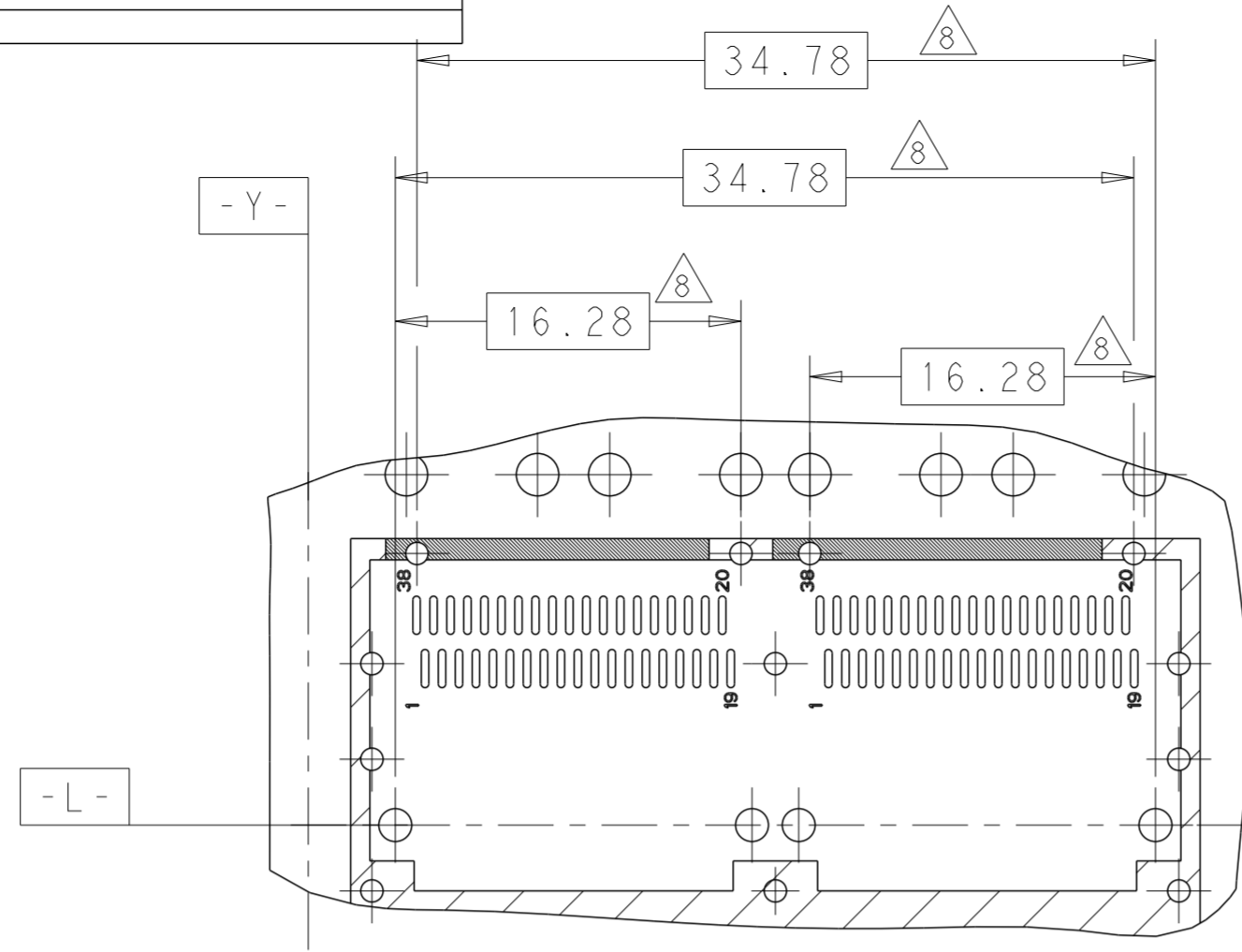


RECOMMENDED PCB LAYOUT  
 BELLY TO BELLY TYPE  
 PCB TOLERANCE: ±0.05  
 SCALE 3:1

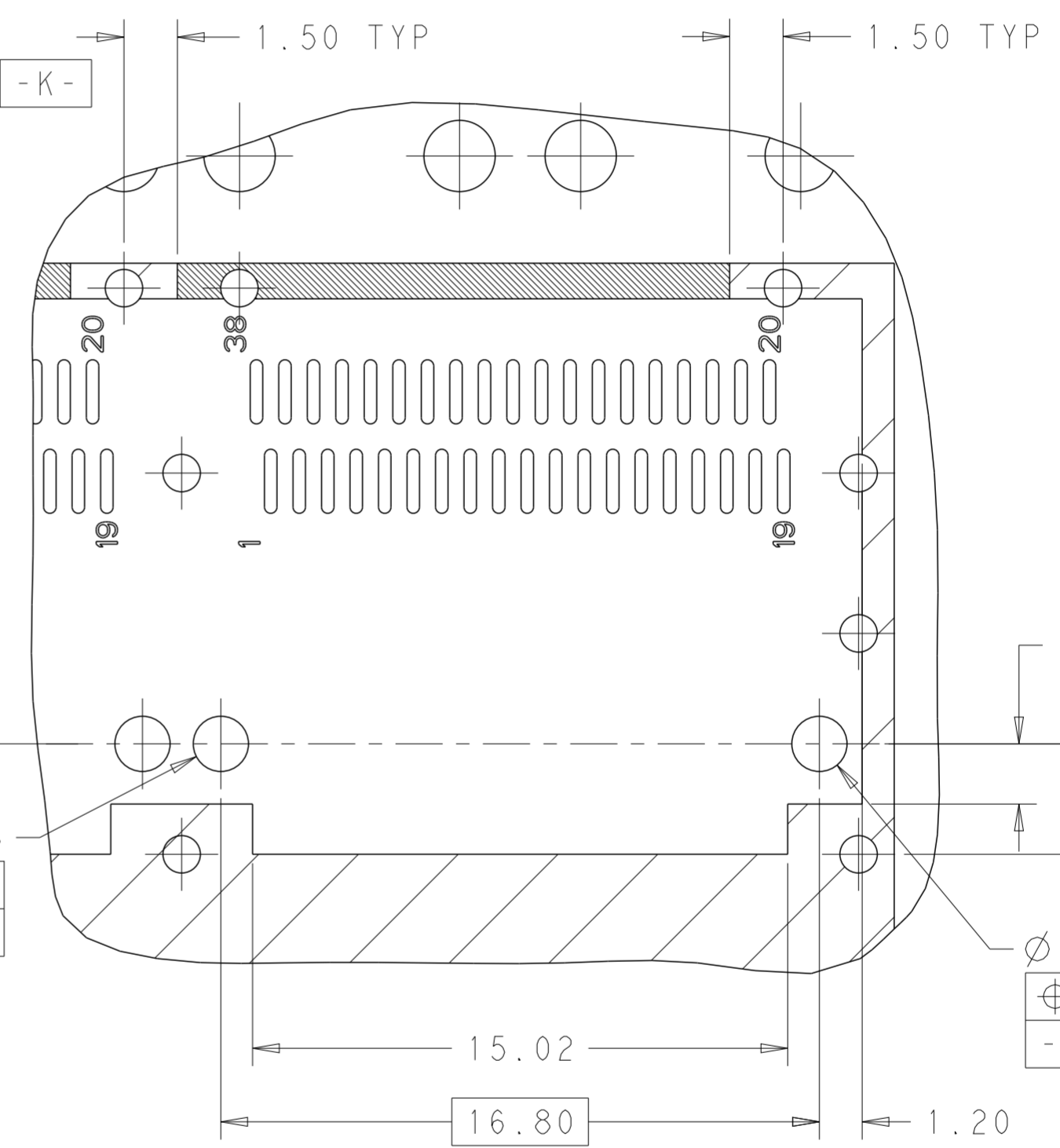
THIS DRAWING IS A CONTROLLED DOCUMENT.		DWN BING LIU 16SEP2014	<b>STE</b> TE Connectivity
DIMENSIONS: mm		CHK JASON YANG 16SEP2014	
TOLERANCES UNLESS OTHERWISE SPECIFIED:		APVD SEAN HAN 08NOV2016	NAME RECEPTACLE CAGE ASSEMBLY WITH LIGHT PIPES, THRU BEZEL, 1X2, QSFP28
0 PLC ±	1 PLC ±0.25	PRODUCT SPEC 108-19428	SIZE CAGE CODE DRAWING NO RESTRICTED TO
2 PLC ±0.2	3 PLC ±	APPLICATION SPEC 114-32023	A200779 C-2170807
4 PLC ±	ANGLES ±	WEIGHT -	SCALE 3:1 SHEET 5 OF 6 REV B2
MATERIAL SEE NOTES material_2	FINISH SEE NOTES finish_spec_2	CUSTOMER DRAWING	

THIS DRAWING IS UNPUBLISHED. RELEASED FOR PUBLICATION 20  
 © COPYRIGHT 20 BY - ALL RIGHTS RESERVED.

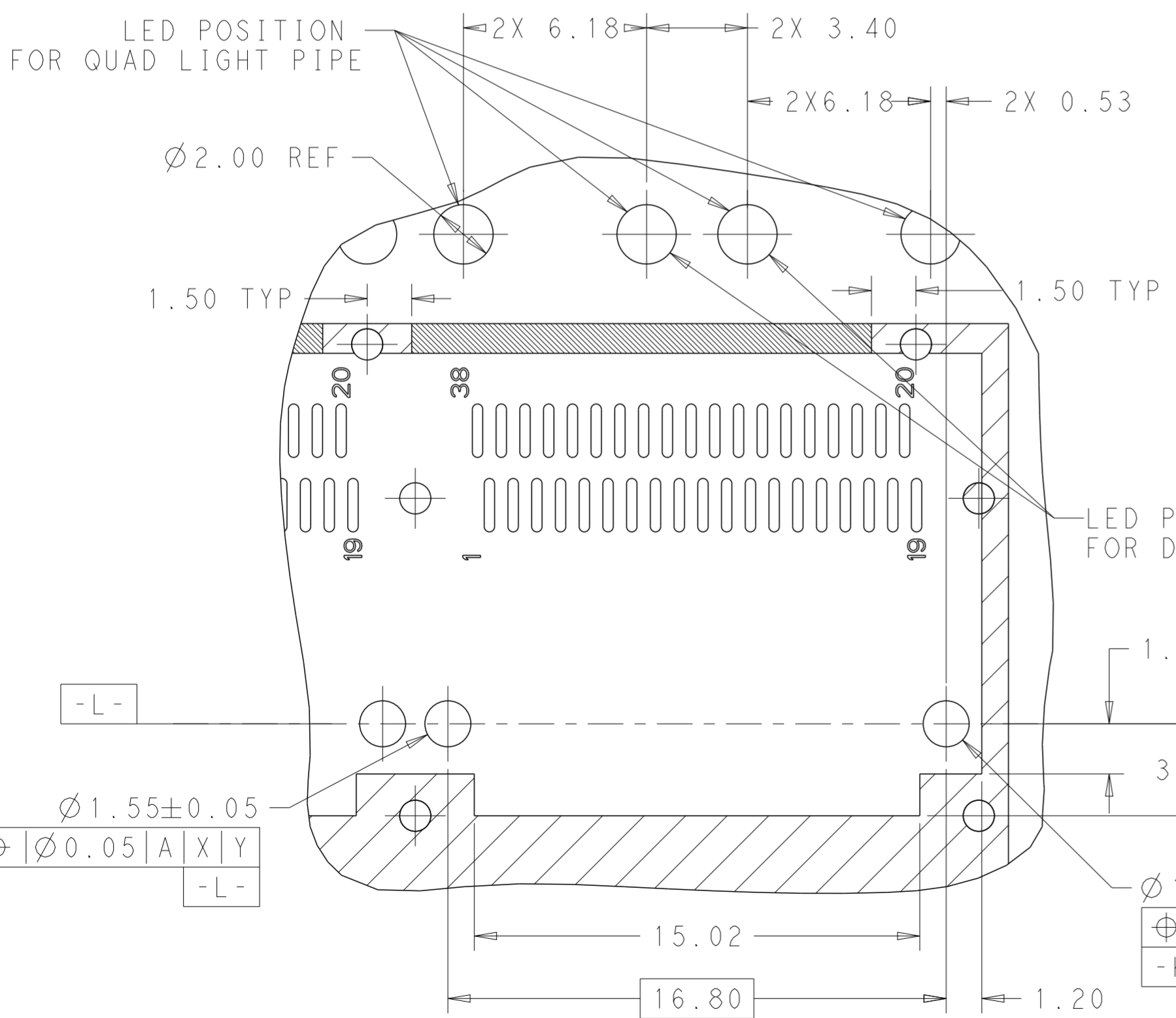
LOC		DIST		REVISIONS				
P	LTR	DESCRIPTION		DATE	DWN	APVD		
-	-	SEE SHEET 1		-	-	-		



DETAIL D  
SCALE 3:1



DETAIL B  
SCALE 6:1



DETAIL A  
SCALE 6:1

THIS DRAWING IS A CONTROLLED DOCUMENT.		DWN BING LIU 16SEP2014	TE Connectivity
		CHK JASON YANG 16SEP2014	
		APVD SEAN HAN 08NOV2016	NAME RECEPTACLE CAGE ASSEMBLY WITH LIGHT PIPES, THRU BEZEL, 1X2, QSFP28
DIMENSIONS: mm		PRODUCT SPEC 108-19428	SIZE A200779
TOLERANCES UNLESS OTHERWISE SPECIFIED: 0 PLC ± 1 PLC ±0.25 2 PLC ±0.2 3 PLC ± 4 PLC ± ANGLES ±		APPLICATION SPEC 114-32023	DRAWING NO C-2170807
MATERIAL SEE NOTES material_2		FINISH SEE NOTES finish_spec_2	RESTRICTED TO -
		WEIGHT -	SCALE 3:1 SHEET 6 OF 6 REV B2
		CUSTOMER DRAWING	