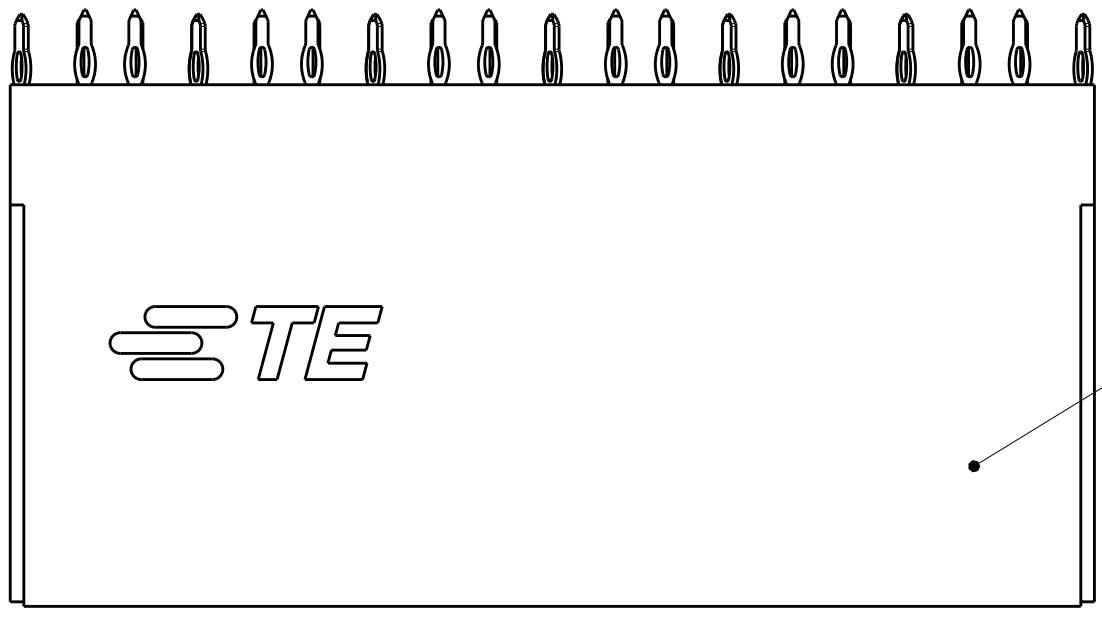


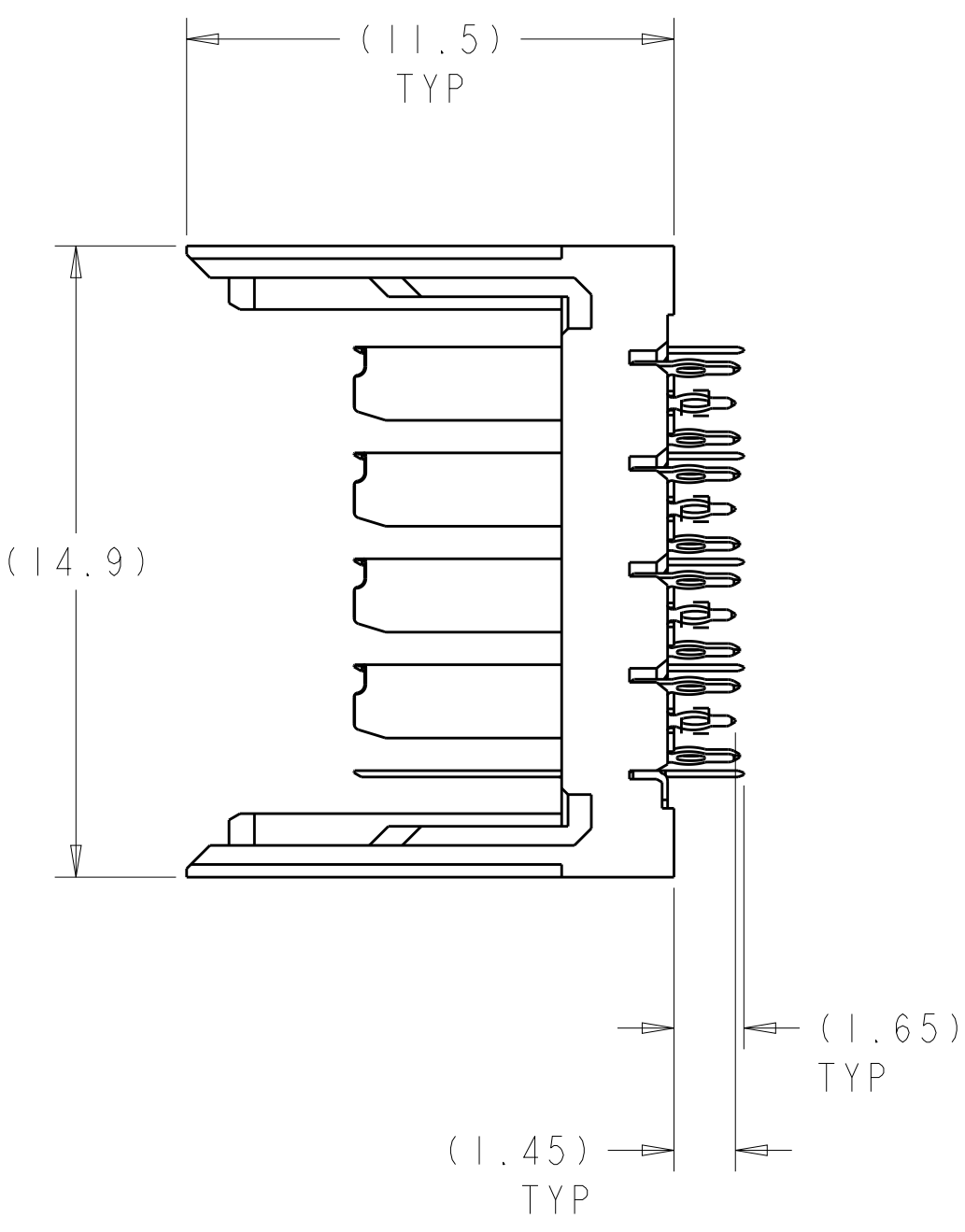
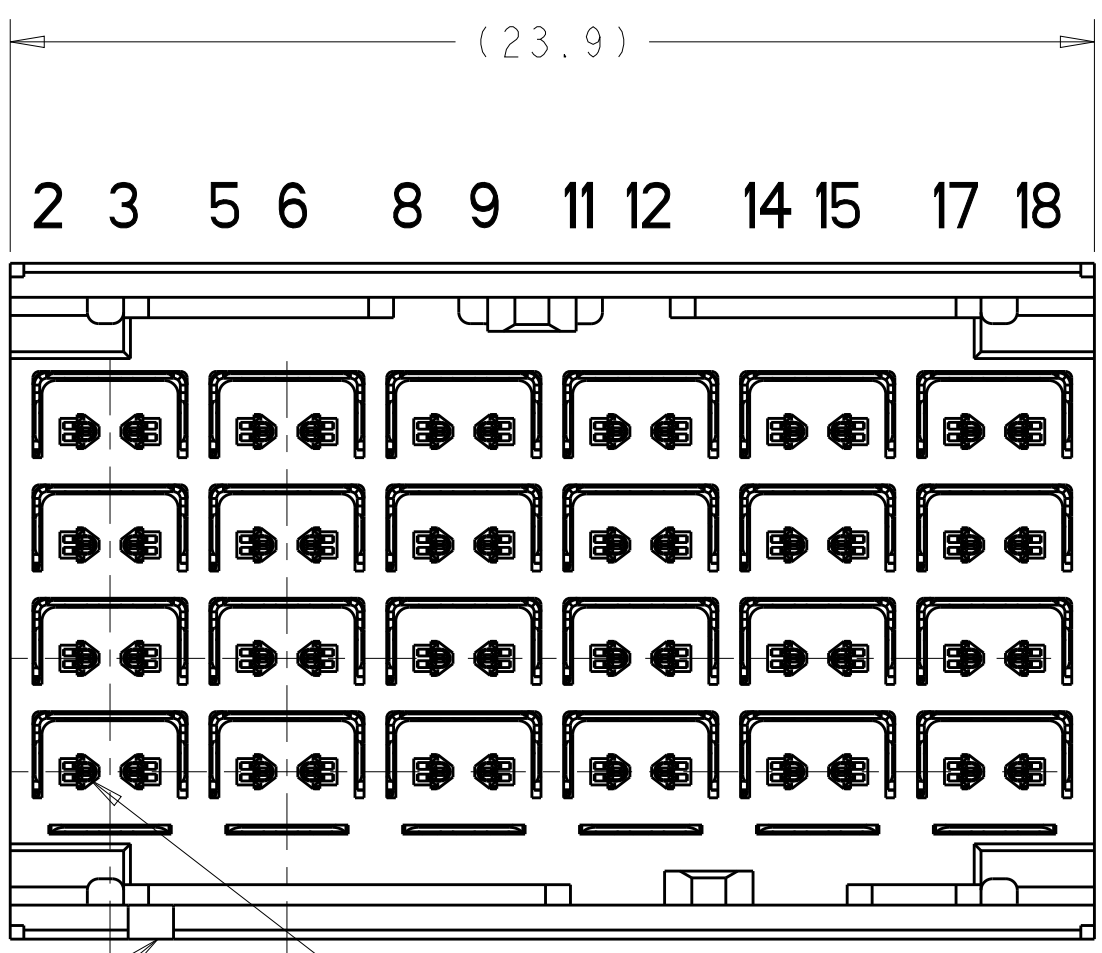
THIS DRAWING IS UNPUBLISHED. RELEASED FOR PUBLICATION 2015  
 © COPYRIGHT 2015 BY TE CONNECTIVITY ALL RIGHTS RESERVED.

REVISIONS				
P	LTR	DESCRIPTION	DATE	APVD
	A	INITIAL RELEASE	26FEB2019	AP RP



6

- 1 MATERIAL:  
HOUSING: THERMOPLASTIC, UL 94V-0, BLACK  
CONTACTS AND SHIELDS: COPPER ALLOY
- 2 FINISH:  
- CONFORMS TO THE REQUIREMENTS OF TE PRODUCT SPECIFICATION 108-32021 BASED ON TELCORDIA GR-1217-CORE FOR SYSTEM QUALITY LEVEL III, APPLICATIONS IN CONTROLLED ENVIRONMENTS (CENTRAL OFFICE).  
- COMPLIANT PIN AREA: 0.5µm MIN MATTE TIN.
- 3 SIGNAL PLATED THRU HOLE REQUIREMENTS:  
FINISHED HOLE =  $\varnothing 0.34 \pm 0.05$   
HOLE SIZE PRIOR TO PLATING =  $\varnothing 0.420 \pm 0.025$   
COPPER THICKNESS = 0.025 MIN  
IMMERSION TIN IF APPLICABLE = (0.00095)
- 4 GROUND AND SI VIA PLATED THRU HOLE REQUIREMENTS:  
FINISHED HOLE =  $\varnothing 0.37 \pm 0.05$   
HOLE SIZE PRIOR TO PLATING =  $\varnothing 0.450 \pm 0.025$   
COPPER THICKNESS = 0.025 MIN  
IMMERSION TIN IF APPLICABLE = (0.00095)
- 5 PTH DIMENSIONS APPLY TO THE TOP 1.00mm OF THE PCB THICKNESS FROM THE CONNECTOR MOUNTING SIDE.
- 6 CONNECTOR MARKED WITH PART NUMBER, DATE CODE, AND "92 OHM" IN APPROXIMATE AREA SHOWN.
- 7 DATUMS AND BASIC DIMENSIONS ESTABLISHED BY CUSTOMER.
- 8. CONTACT PRODUCT ENGINEERING FOR LAYOUTS WHEN STACKING CONNECTORS.
- 9 APPLIES TO FINISHED HOLE DIAMETER.



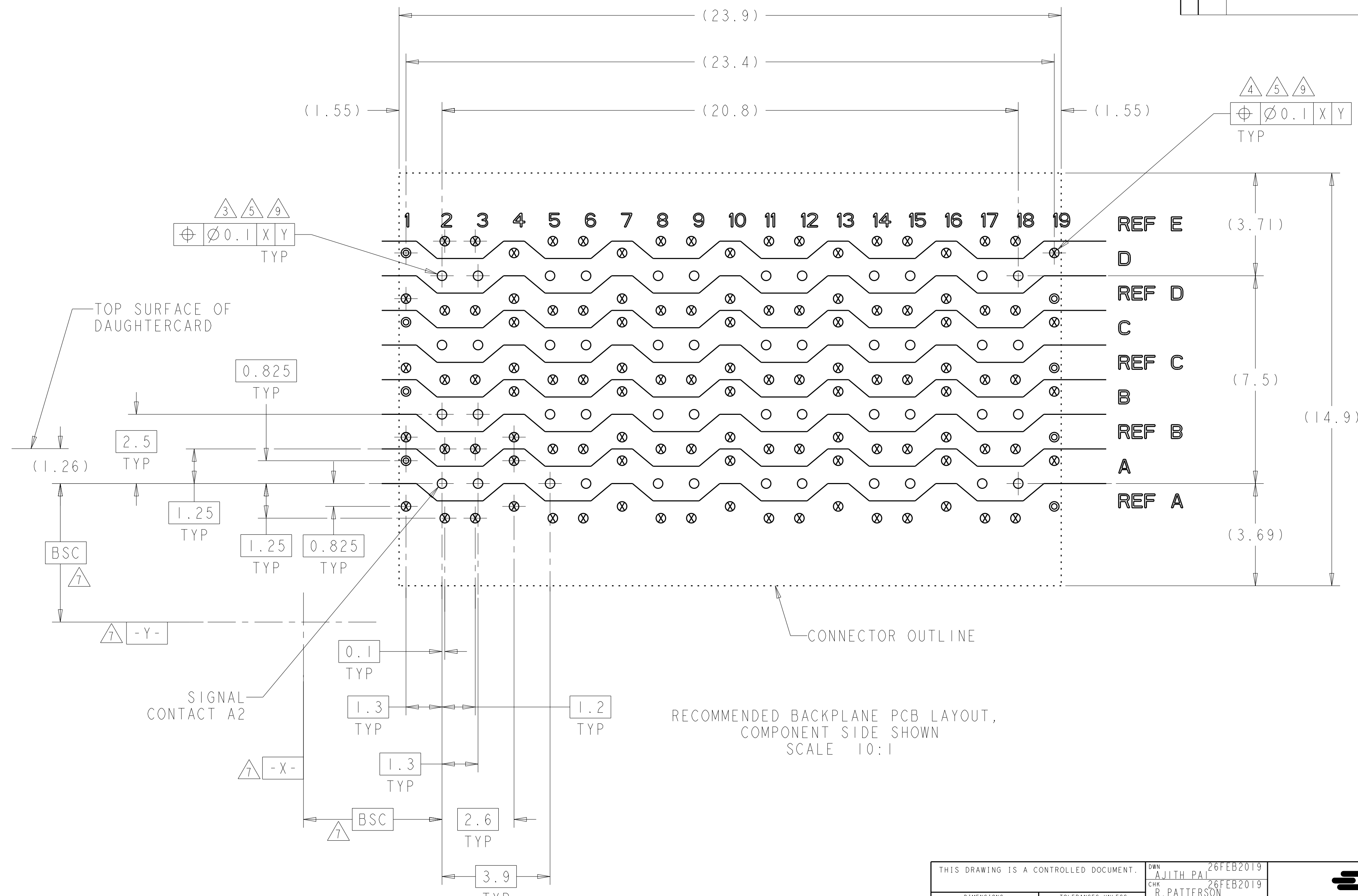
SIGNAL CONTACT A2  
 (3.9) TYP  
 POSITION A1 CORNER INDICATOR

2187726-1  
 PART NO

THIS DRAWING IS A CONTROLLED DOCUMENT.		DWN 26FEB2019 AJITH PAI	<b>STE</b> TE Connectivity	
DIMENSIONS: mm		CHK 26FEB2019 R. PATTERSON		
TOLERANCES UNLESS OTHERWISE SPECIFIED:		APVD 26FEB2019 R. PATTERSON	NAME	
0 PLC ±	1 PLC ±	PRODUCT SPEC	HEADER ASSEMBLY, 4 PAIR 6 COLUMN, OPEN ENDED, BACKPLANE, 92 OHM, PAIR-IN-ROW, STRADA WHISPER	
2 PLC ±	3 PLC ±	APPLICATION SPEC	SIZE	CAGE CODE
4 PLC ±	ANGLES ±	FINISH	A2	00779
MATERIAL	finish	WEIGHT	DRAWING NO	RESTRICTED TO
material_2	finish_spec_2	-	114-32029	C-2187726
CUSTOMER DRAWING			SCALE 6:1	SHEET 1 OF 2


THIS DRAWING IS UNPUBLISHED. RELEASED FOR PUBLICATION 2015  
 © COPYRIGHT 2015 BY TE CONNECTIVITY ALL RIGHTS RESERVED.

REVISIONS				
P	LTR	DESCRIPTION	DATE	APVD
-	-	SEE SHEET 1	-	-



RECOMMENDED BACKPLANE PCB LAYOUT,  
 COMPONENT SIDE SHOWN  
 SCALE 10:1

- = SIGNAL
- ⊗ = GROUND
- ⊙ = SIGNAL INTEGRITY VIA TO GROUND

THIS DRAWING IS A CONTROLLED DOCUMENT.		DWN 26FEB2019 AJLTH PAL	 TE Connectivity
DIMENSIONS: mm		CHK 26FEB2019 R. PATTERSON	
TOLERANCES UNLESS OTHERWISE SPECIFIED:		APVD 26FEB2019 R. PATTERSON	NAME
0 PLC ±	1 PLC ±	PRODUCT SPEC	HEADER ASSEMBLY, 4 PAIR 6 COLUMN, OPEN ENDED, BACKPLANE, 92 OHM, PAIR-IN-ROW, STRADA WHISPER
2 PLC ±	3 PLC ±	APPLICATION SPEC	SIZE CAGE CODE DRAWING NO
4 PLC ±	ANGLES ±	114-32029	A200779 C-2187726
MATERIAL	FINISH	WEIGHT	RESTRICTED TO
material_2	finish_spec_2	CUSTOMER DRAWING	SCALE 6:1 SHEET 2 OF 2 REV A