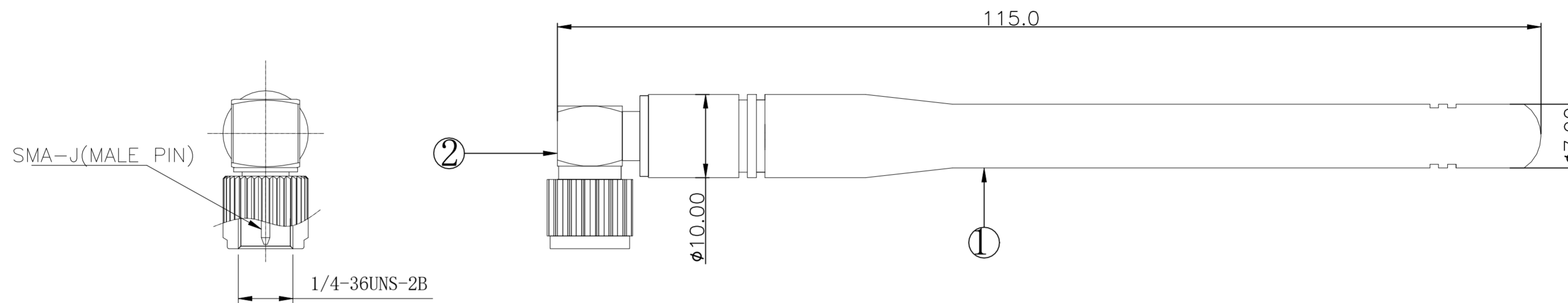


REVISIONS					
P	LTR	DESCRIPTION	DATE	DWN	APVD
B1		ECR-24-200584	05MAR2024	DC	JH



NOTES:

1. Electrical:

- 1.1 FREQUENCY: 698~960MHz ; 1710~2700MHz
- 1.2 IMPEDANCE: 50 OHM.
- 1.3 VSWR:698~960MHz<3.7 ; 1710~2700MHz<2.2
- 1.4 PEAK GAIN: 3.2dBi / 3.9dBi
- 1.5 POLARIZATION: Vertical
- 1.6 RADIATION:Omni-directional

2. ENVIRONMENTAL:

- 2.1 STORAGE TEMPERATURE RANGE: -30 TO +70°C
- 2.2 OPERATING TEMPERATURE RANGE: -30 TO +70°C

3. MEET RoHS REQUEST.

4. MATERIALS : REFER TO TABLE.

5. PACKAGING : SINGULARATE PARTS TO BE SECURELY BAG WRAPPED, BAGGED OR VACUM PACKAGE INBULK

6. CONSULT TE CONNECTIVITY DATASHEET DS 2195890

TE PN			
2195890-1			
1	SMA	SMA, MALE PLATING NI	2
1	BODY	TPEE, BLACK	1
Q'TY	ITEM	MATERIAL / FINISH	NO

THIS DRAWING IS A CONTROLLED DOCUMENT.		DWN DC HSAING 29JAN2021	TE TE Connectivity	
		CHK SHIN CHOO 29JAN2021		
		APVD AMOS CHEAH 29JAN2021	NAME External Ant., SMA, 698-960 & 1710-2170MHz	
DIMENSIONS: mm		TOLERANCES UNLESS OTHERWISE SPECIFIED:	SIZE CAGE CODE DRAWING NO RESTRICTED TO	
0 PLC ± -		1 PLC ± -	A2 00779 C=2195890	
1 PLC ± -		2 PLC ± -	SCALE 1:1 SHEET 1 of 1 REV B1	
2 PLC ± -		3 PLC ± -		
3 PLC ± -		4 PLC ± -		
4 PLC ± -		ANGLES ± -		
MATERIAL -		FINISH -	CUSTOMER DRAWING	