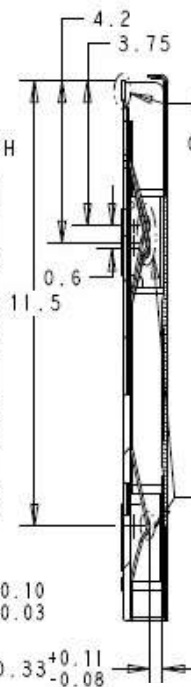
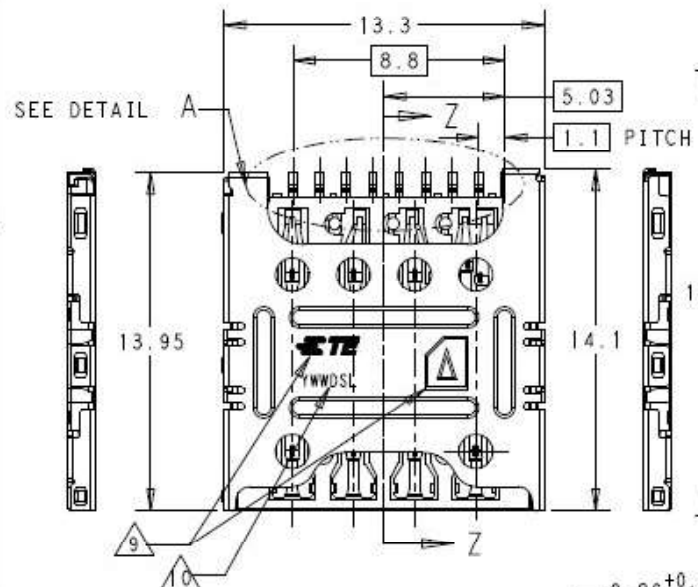


4 | 3 | 2 | 1

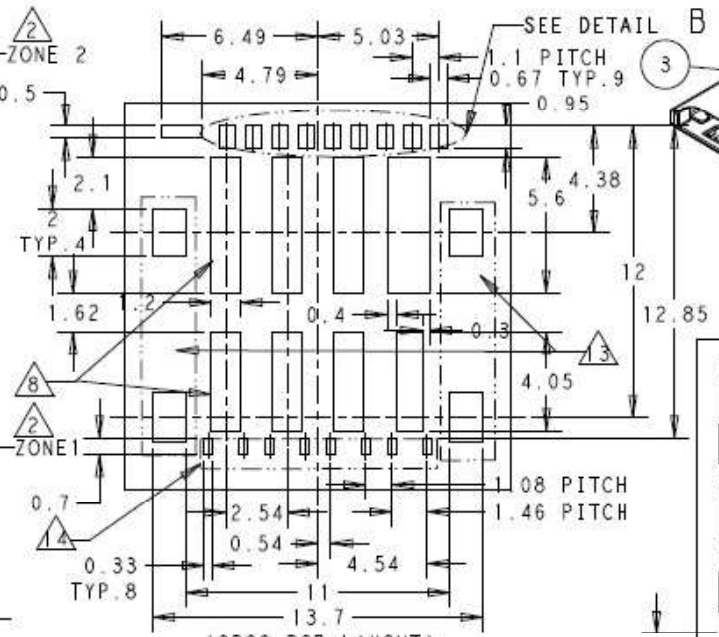
THIS DRAWING IS UNPUBLISHED. RELEASED FOR PUBLICATION
 © COPYRIGHT 20 BY - ALL RIGHTS RESERVED.

REVISIONS					
P	LTR	DESCRIPTION	DATE	OWN	APVD
A2		RELEASED	28NOV2023	M.T	H.T

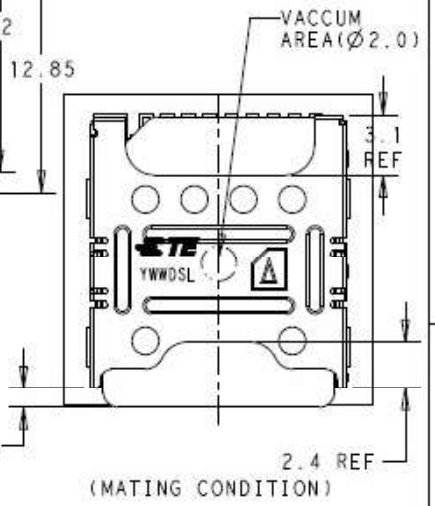
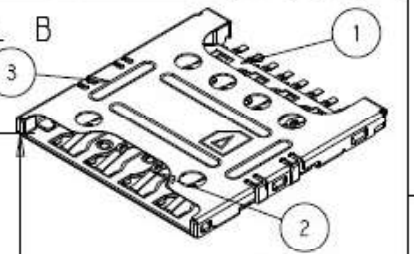
8POS AS SHOWN



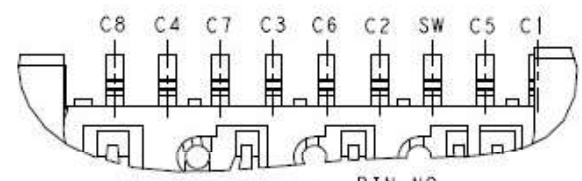
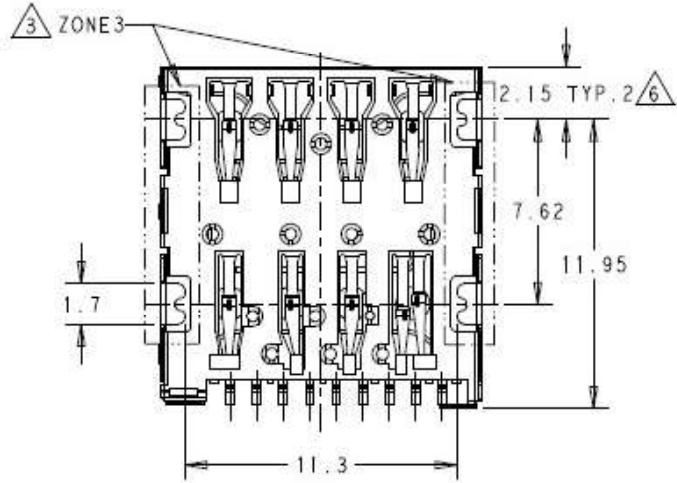
SECTION Z-Z
SCALE 8:1



(8POS PCB LAYOUT)
TOLERANCE: ±0.05



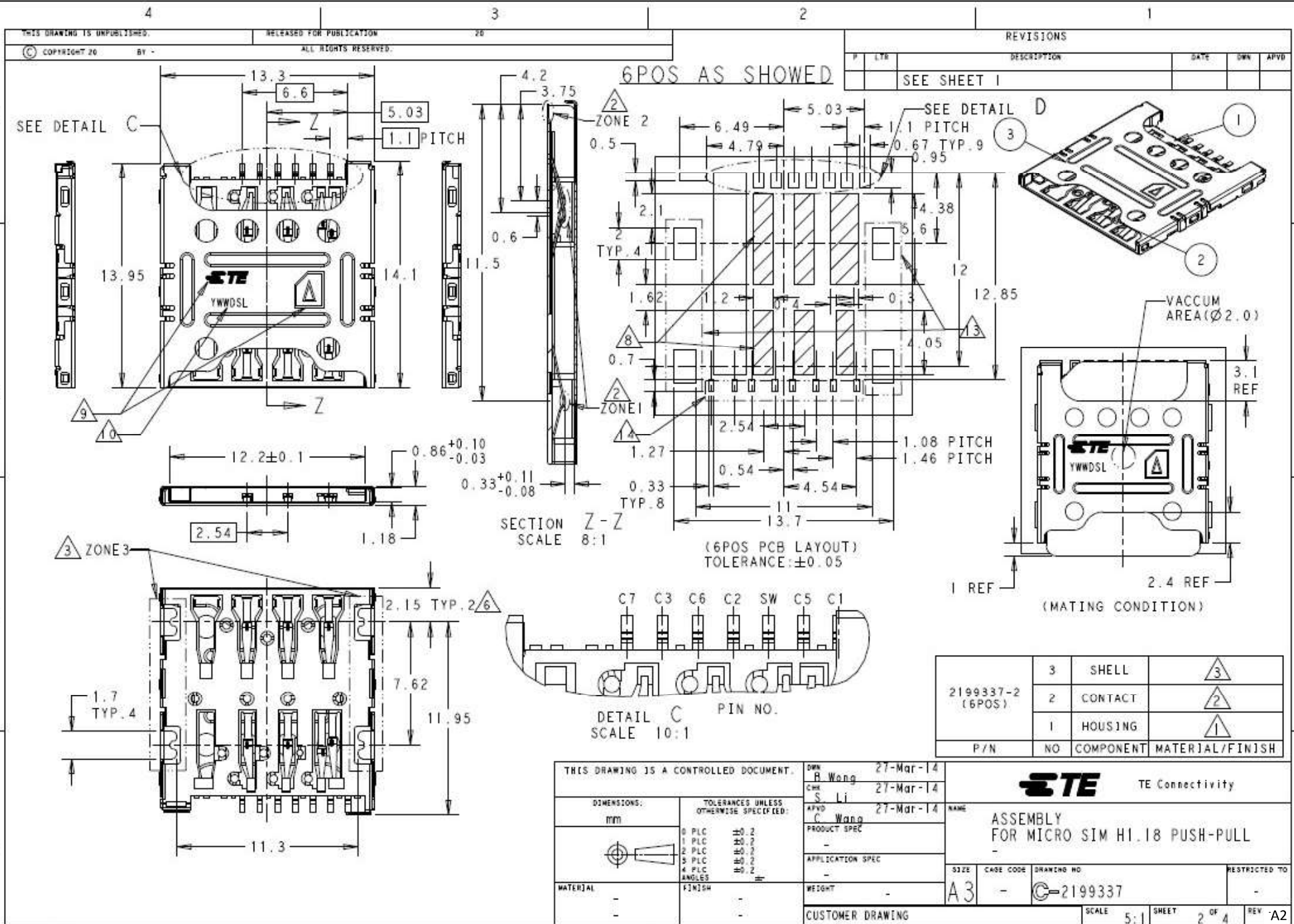
(MATING CONDITION)



DETAIL A PIN NO.
SCALE 10:1

2199337-5 (8POS)	3	SHELL	3
	2	CONTACT	2
	1	HOUSING	1
P/N	NO	COMPONENT	MATERIAL/FINISH

THIS DRAWING IS A CONTROLLED DOCUMENT.		DWN R. Wong	27-Mar-14	TE Connectivity	
DIMENSIONS:		CHK S. Li	27-Mar-14		
mm	TOLERANCES UNLESS OTHERWISE SPECIFIED:	APVD C. Wang	27-Mar-14	NAME ASSEMBLY FOR MICRO SIM H1.18 PUSH-PULL	
	0 PLC ±0.2 1 PLC ±0.2 2 PLC ±0.2 3 PLC ±0.2 4 PLC ±0.2 ANGLES ±0.2	PRODUCT SPEC 108-115082	APPLICATION SPEC	SIZE	CAGE CODE
MATERIAL	FINISH	WEIGHT	0.195g	A3	00779
		CUSTOMER DRAWING		DRAWING NO	2199337
				RESTRICTED TO	
				SCALE	5:
				SHEET	4
				REV	A2



THIS DRAWING IS UNPUBLISHED.
 © COPYRIGHT 20 BY - ALL RIGHTS RESERVED.

RELEASED FOR PUBLICATION
 ALL RIGHTS RESERVED.

REVISIONS				
P	LTG	DESCRIPTION	DATE	BY
1		SEE SHEET 1		

6POS AS SHOWN

SEE SHEET 1

SEE DETAIL D

VACCU AREA (Ø2.0)

SECTION Z-Z
 SCALE 8:1

(6POS PCB LAYOUT)
 TOLERANCE: ±0.05

DETAIL C PIN NO.
 SCALE 10:1

3	SHELL	△3
2	CONTACT	△2
1	HOUSING	△1
P/N	NO COMPONENT	MATERIAL/FINISH

DIMENSIONS:		TOLERANCES UNLESS OTHERWISE SPECIFIED:		APPROVED		NAME	
mm		0 PLC	±0.2	DRW	R Wang	27-Mar-14	
		1 PLC	±0.2	CHK	S. Li	27-Mar-14	
		2 PLC	±0.2	APVD	C Wang	27-Mar-14	
		3 PLC	±0.2	PRODUCT SPEC			
		4 PLC	±0.2	APPLICATION SPEC			
		ANGLES	±0.2	WEIGHT			
MATERIAL		FINISH		CUSTOMER DRAWING			

STE TE Connectivity			
ASSEMBLY FOR MICRO SIM HI.18 PUSH-PULL			
SIZE	CASE CODE	DRAWING NO.	RESTRICTED TO
A3	-	2199337	-
SCALE 5:1		SHEET 2 OF 4	REV A2

4

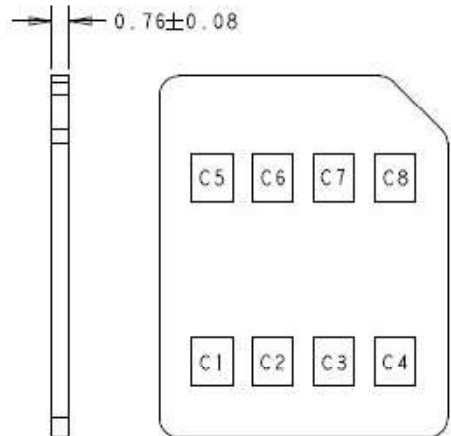
3

2

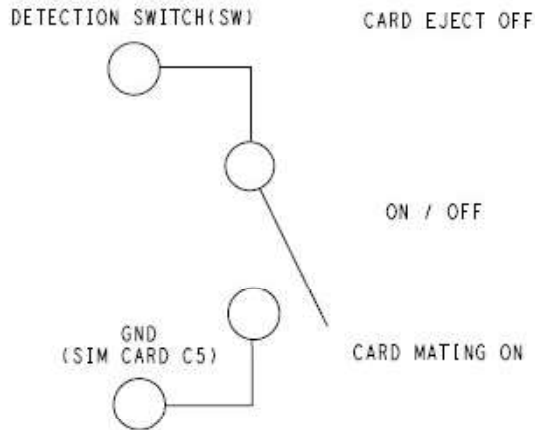
1

THIS DRAWING IS UNPUBLISHED. RELEASED FOR PUBLICATION 20
 © COPYRIGHT 20 BY - ALL RIGHTS RESERVED.

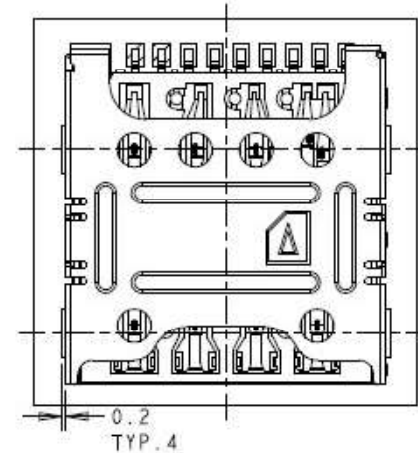
REVISIONS				
P	LYR	DESCRIPTION	DATE	APVD
		SEE SHEET 1		



SIM CARD PAD LAYOUT



CIRCUIT DRAWING OF SWITCH

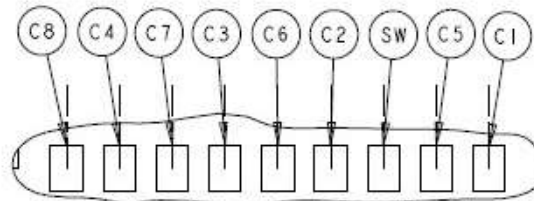


MATCH WITH PCB LAYOUT

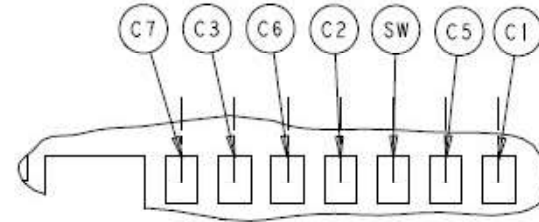
SCALE <5:1>

PIN No.	PIN NAME
SW	DETECTION SWITCH
C8	RESERVED
C7	I/O
C6	VPP
C5	GND
C4	RESERVED
C3	CLK
C2	RST
C1	VCC

SIM CARD PIN ASSIGNMENT



DETAIL B
SCALE 10:1
8POS TYPE



DETAIL D
SCALE 10:1
6POS TYPE

PCB LAYOUT (REFERENCE)
(VIEW FROM CONNECTOR MOUNT SIDE)

THIS DRAWING IS A CONTROLLED DOCUMENT.		DWN R. Wang 27-Mar-14	TE Connectivity	
		CHR S. Li 27-Mar-14		
DIMENSIONS: mm		APVD C. Wang 27-Mar-14	NAME ASSEMBLY FOR MICRO SIM HI.18 PUSH-PULL	
TOLERANCES UNLESS OTHERWISE SPECIFIED: 0 PLC ±0.2 1 PLC ±0.2 2 PLC ±0.2 3 PLC ±0.2 4 PLC ±0.2 ANGLES		PRODUCT SPEC -	APPLICATION SPEC -	
MATERIAL -		WEIGHT -	SIZE A3	CAGE CODE -
		DRAWING NO. C-2199337		RESTRICTED TO -
CUSTOMER DRAWING			SCALE 3:1	SHEET 3 OF 4
			REV A2	

4

3

2

1

THIS DRAWING IS UNPUBLISHED.

RELEASED FOR PUBLICATION

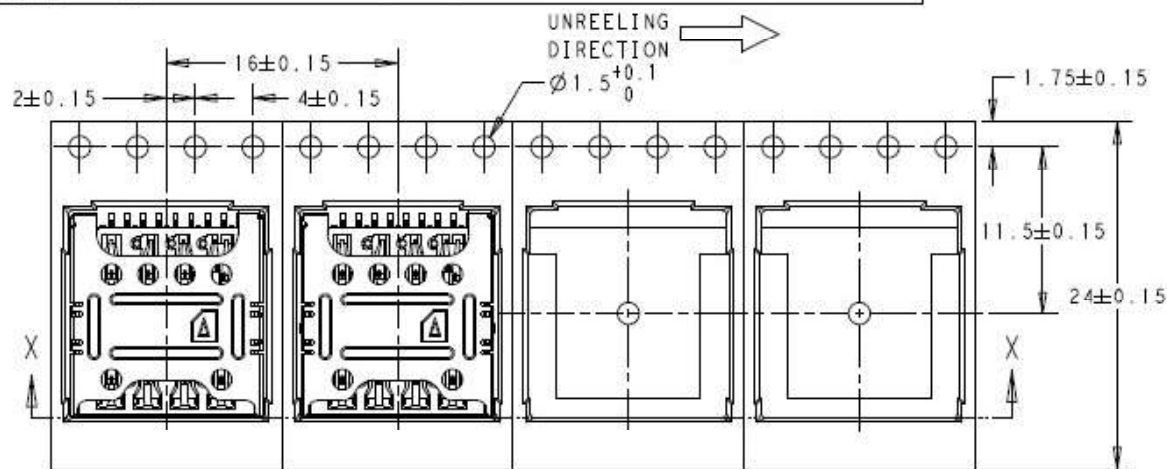
20

© COPYRIGHT 20 BY -

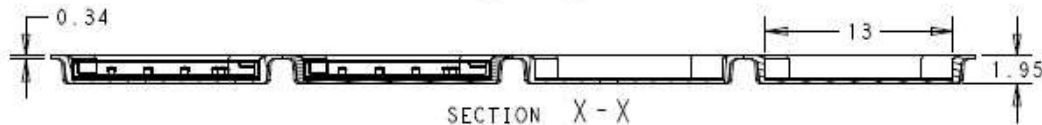
ALL RIGHTS RESERVED.

REVISIONS

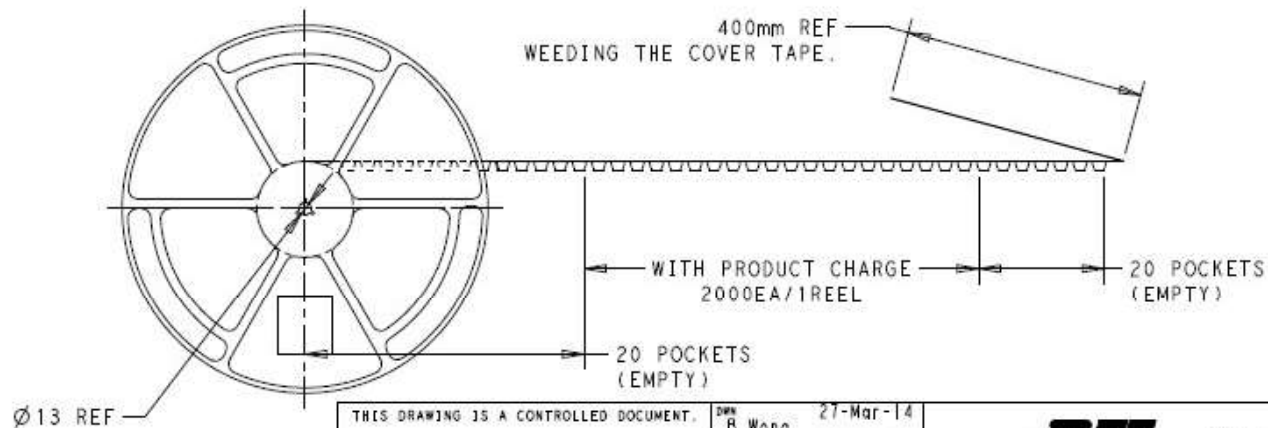
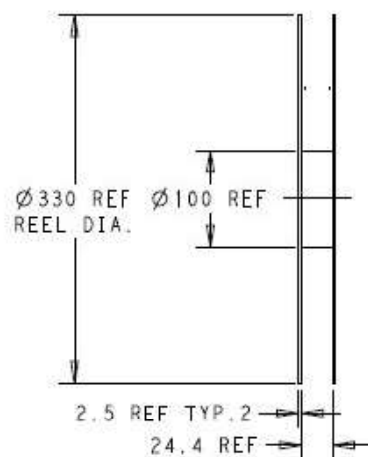
#	LYR	DESCRIPTION	DATE	OWN	APVD
SEE SHEET 1					



SCALE 3:1



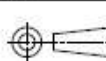
- 1 HOUSING MATERIAL : THERMO PLASTIC RESIN.
- 2 CONTACT MATERIAL : COPPER ALLOY.
FINISH : 1.3um MIN. NICKEL UNDERPLATING ALL OVER,
GOLD PLATING 0.3um MIN. ON ZONE 1,
GOLD PLATING 0.05um MIN. ON ZONE 2.
- 3 SHELL MATERIAL : STAINLESS STEEL.
FINISH : 1.3um MIN. NICKEL UNDERPLATING ALL OVER,
TIN PLATING 1.0um MIN. ZONE 3.
- 4 COPLANARITY : 0.08MAX BEFORE IR.
- 5 COPLANARITY MEASURED ON 9 CONTACTS AND 5 CLIP PEGS IN ONE PASS.
- 6 DIMENTION MEASURED FROM PLASTIC TO CENTER OF CLIP PEGS.
- 7 EASY BROKEN BURR IS NOT PERMITTED.
- 8 NO STRIP-LINE AREA
- 9 TE LOGO, CARD INSERTION LOGO
- 10 DATE CODE : YWDSL (YEAR, WEEK, DAY, SHIFT, LINE)
- 11 DO NOT CONTAIN ANY SUBSTANCE WHICH ARE SPECIFIED IN (00A-2049)
- 12 PACKING QUANTITY : 2000PCS/REEL
- 13 GROUND PATTERN
- 14 THIS PATTERN IS NOT GROUND.



THIS DRAWING IS A CONTROLLED DOCUMENT.

DIMENSIONS:

mm



TOLERANCES UNLESS OTHERWISE SPECIFIED:

0 PLC	± 0.2
1 PLC	± 0.2
2 PLC	± 0.2
3 PLC	± 0.2
4 PLC	± 0.2
ANGLES	\pm

MATERIAL

FINISH

DWN R Wang 27-Mar-14

CHK S Li 27-Mar-14

APVD C Wang 27-Mar-14

PRODUCT SPEC

APPLICATION SPEC

WEIGHT

CUSTOMER DRAWING



TE Connectivity

NAME

ASSEMBLY FOR MICRO SIM HI.18 PUSH-PULL

SIZE

A3

CAGE CODE

-

DRAWING NO.

C-2199337

RESTRICTED TO

SCALE 3:1

SHEET 4 OF 4

REV A2