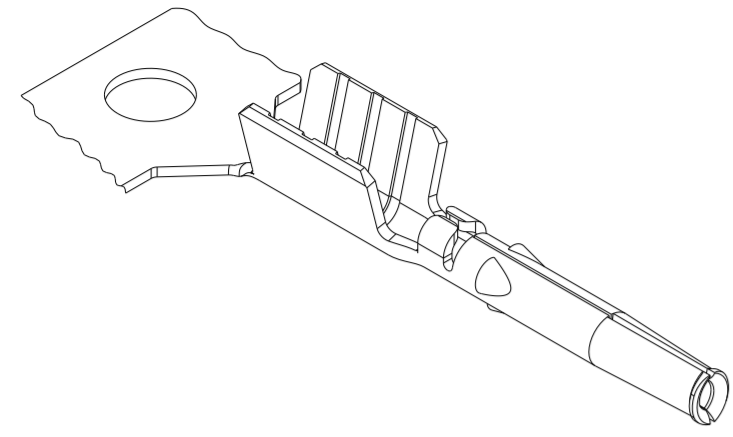
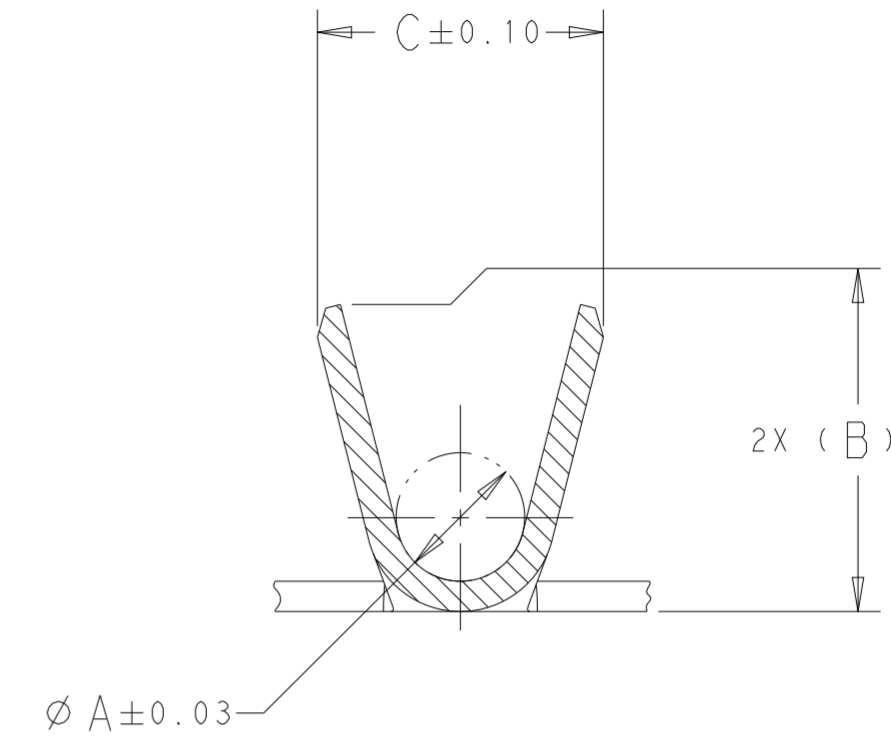
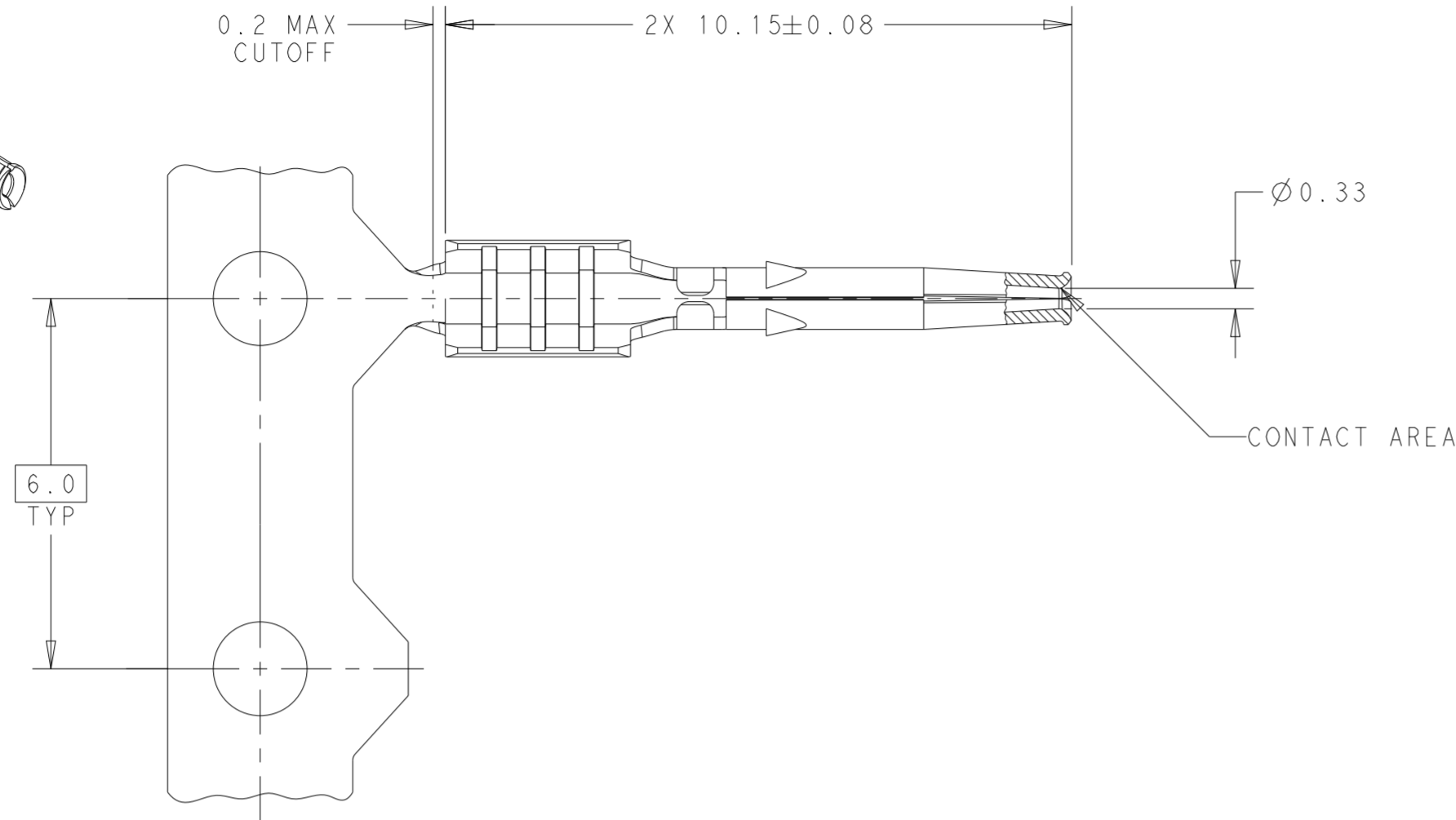


THIS DRAWING IS UNPUBLISHED. RELEASED FOR PUBLICATION 20
 © COPYRIGHT 20 BY - ALL RIGHTS RESERVED.

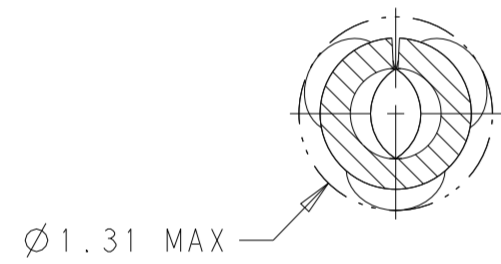
REVISIONS					
P	LTR	DESCRIPTION	DATE	DWN	APVD
C1		REVISED	07NOV2016	ERL	ERL
D		REVISED	15MAY2019	JAB	NE
D1		REVISED PER ECO-19-011159	17JUL2019	KF	NE
D2		REVISED PER ECN-21-125134	05NOV2021	CN	AC



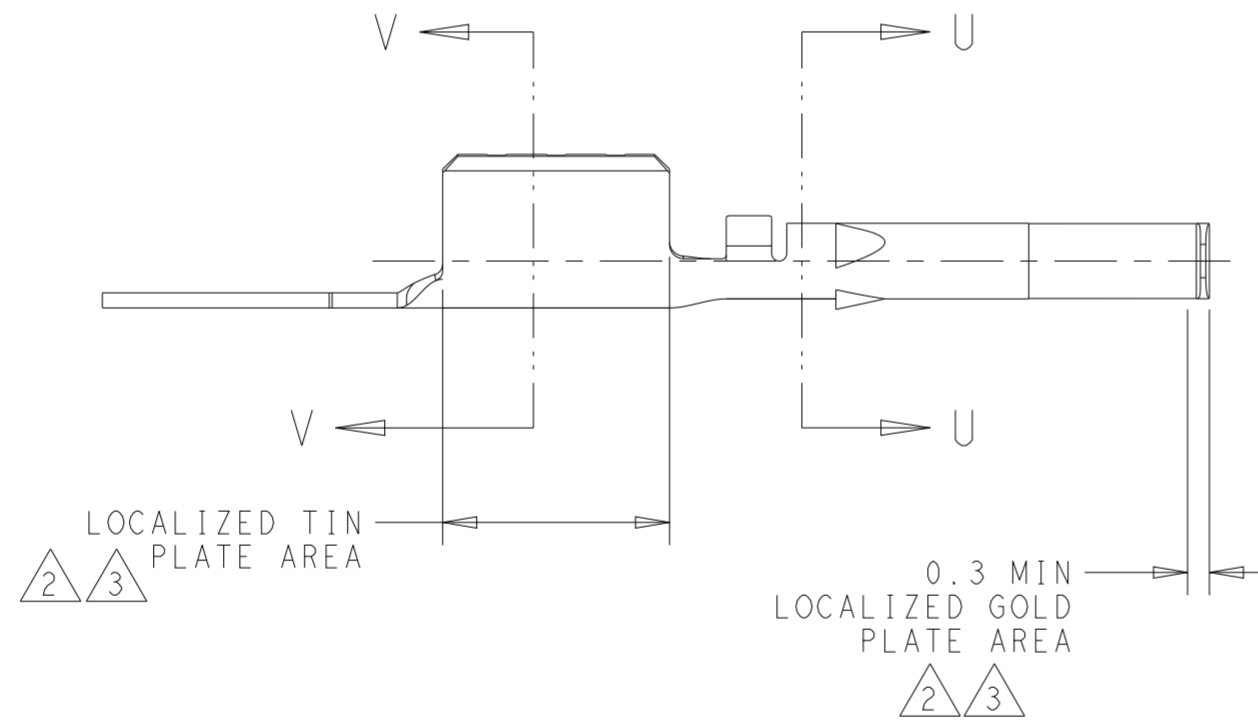
ISOMETRIC VIEW
SCALE 8:1



SECTION V-V
SCALE 20:1



SECTION U-U
SCALE 20:1



	2.13	2.28	1.00	2	RG-58 LL	4-2203270-7	1-2203270-9
	2.13	2.28	1.00	3	RG-58, DACAR 037	-	1-2203270-8
	2.13	2.28	1.00	2	RG-58, DACAR 037	-	1-2203270-7
	2.13	2.28	1.00	3	RG-58 LL	3-2203270-2	1-2203270-5
	1.89	2.03	0.85	3	RTK-031, 2DS-PPFW(TA), RTK044	2-2203270-6	1-2203270-4
OBSOLETE	-	-	-	-	-	-	1-2203270-3
	1.42	1.57	0.55	3	1.5DS, DACAR 363, DACAR 462, RG-174, RG-174 LL, RG-316	2-2203270-3	1-2203270-2
	1.05	1.14	0.35	3	1.5CS	2-2203270-9	1-2203270-1
SUPERSEDED BY 1-2203270-9	-	-	-	-	-	-	1-2203270-0
	1.89	2.03	0.85	2	RTK-031, 2DS-PPFW(TA), RTK044	4-2203270-5	2203270-8
OBSOLETE	-	-	-	-	-	-	2203270-6
	1.42	1.57	0.55	2	1.5DS, DACAR 363, DACAR 462, RG-174, RG-174 LL, RG-316	4-2203270-3	2203270-4
	1.05	1.14	0.35	2	1.5CS	-	2203270-2
	C	B	A	FINISH	APPLICABLE CABLE SIZE	ALTERNATE PART NUMBER	PART NUMBER

1 PHOSPHOR BRONZE.
ALTERNATE: COPPER ALLOY.

2 0.38µm MIN GOLD PLATE IN LOCALIZED GOLD PLATE AREA,
2.5µm MIN TIN PLATE IN LOCALIZED TIN PLATE AREA,
BOTH OVER 1.5µm MIN NICKEL PLATE.

3 0.80µm MIN GOLD PLATE IN LOCALIZED GOLD PLATE AREA,
2.5µm MIN TIN PLATE IN LOCALIZED TIN PLATE AREA,
BOTH OVER 1.27µm MIN NICKEL PLATE.

- CENTER CONTACT WILL ACCEPT COAXIAL CABLE: SEE TABLE.
- 2203270-8 AS SHOWN.
- PACKAGED ON REEL.

THIS DRAWING IS A CONTROLLED DOCUMENT. DWN: D. J. HARDY 12AUG2015
 CHK: D. J. LANE 12AUG2015
 APVD: D. J. LANE 12AUG2015

STE TE Connectivity

NAME: CENTER CONTACT, FEMALE, 180 DEGREE, FAKRA AUTOMATED

PRODUCT SPEC: 108-32107
 APPLICATION SPEC: 114-32145

MATERIAL: 1 SEE TABLE

SIZE: A2 CAGE CODE: - DRAWING NO: C-2203270 RESTRICTED TO: -
 WEIGHT: - SCALE: 10:1 SHEET: 1 OF 1 REV: D2

CUSTOMER DRAWING