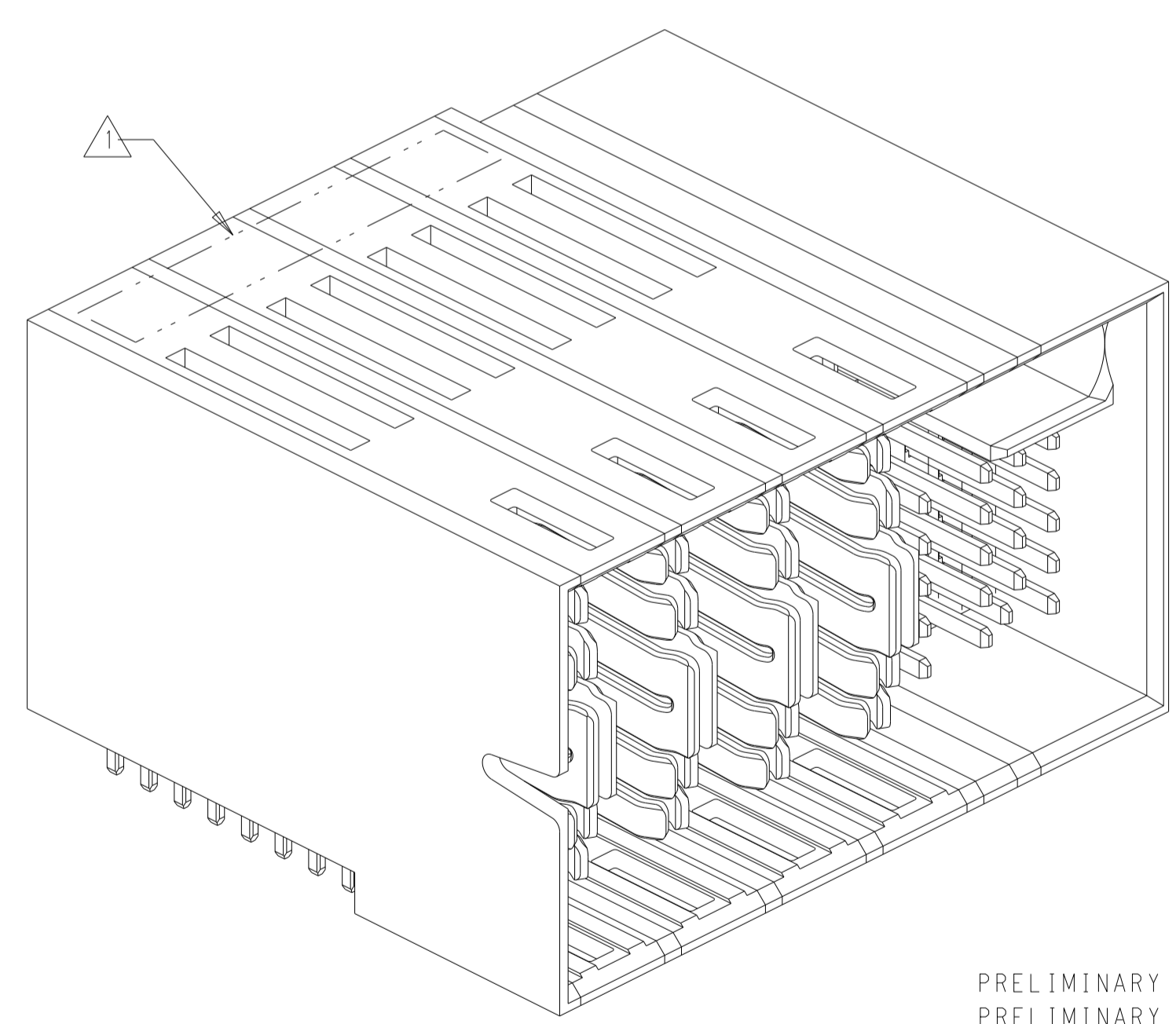
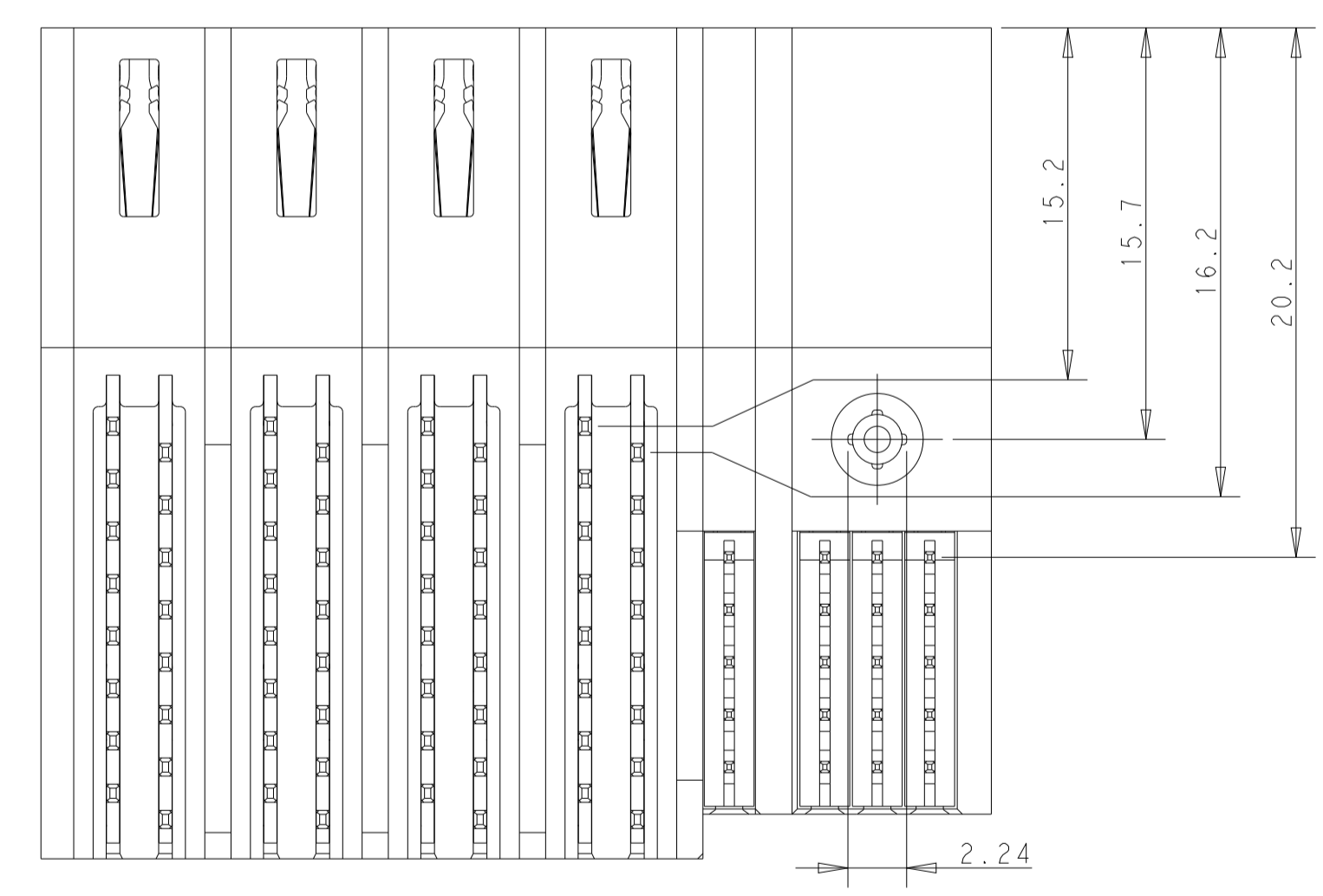
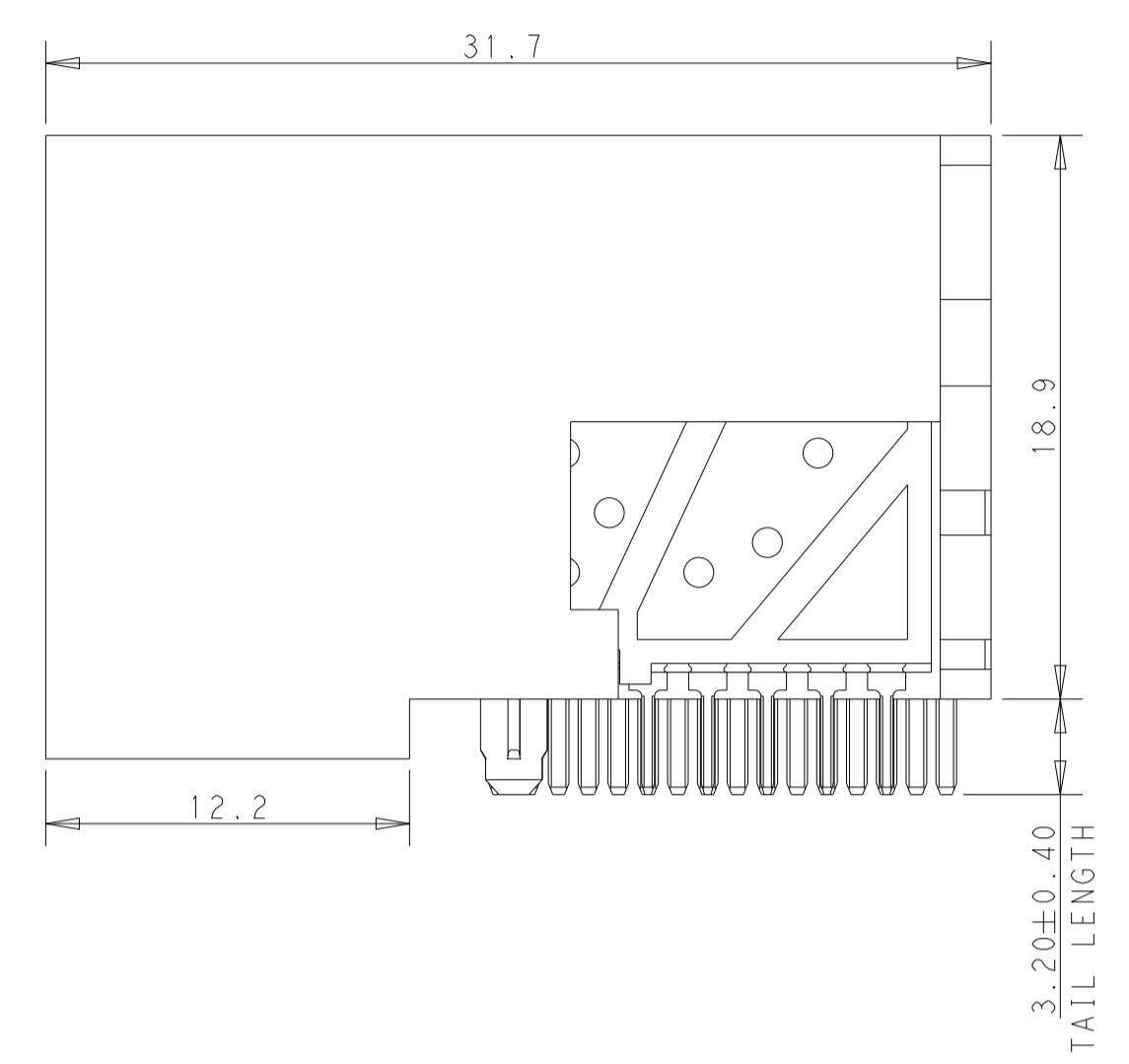
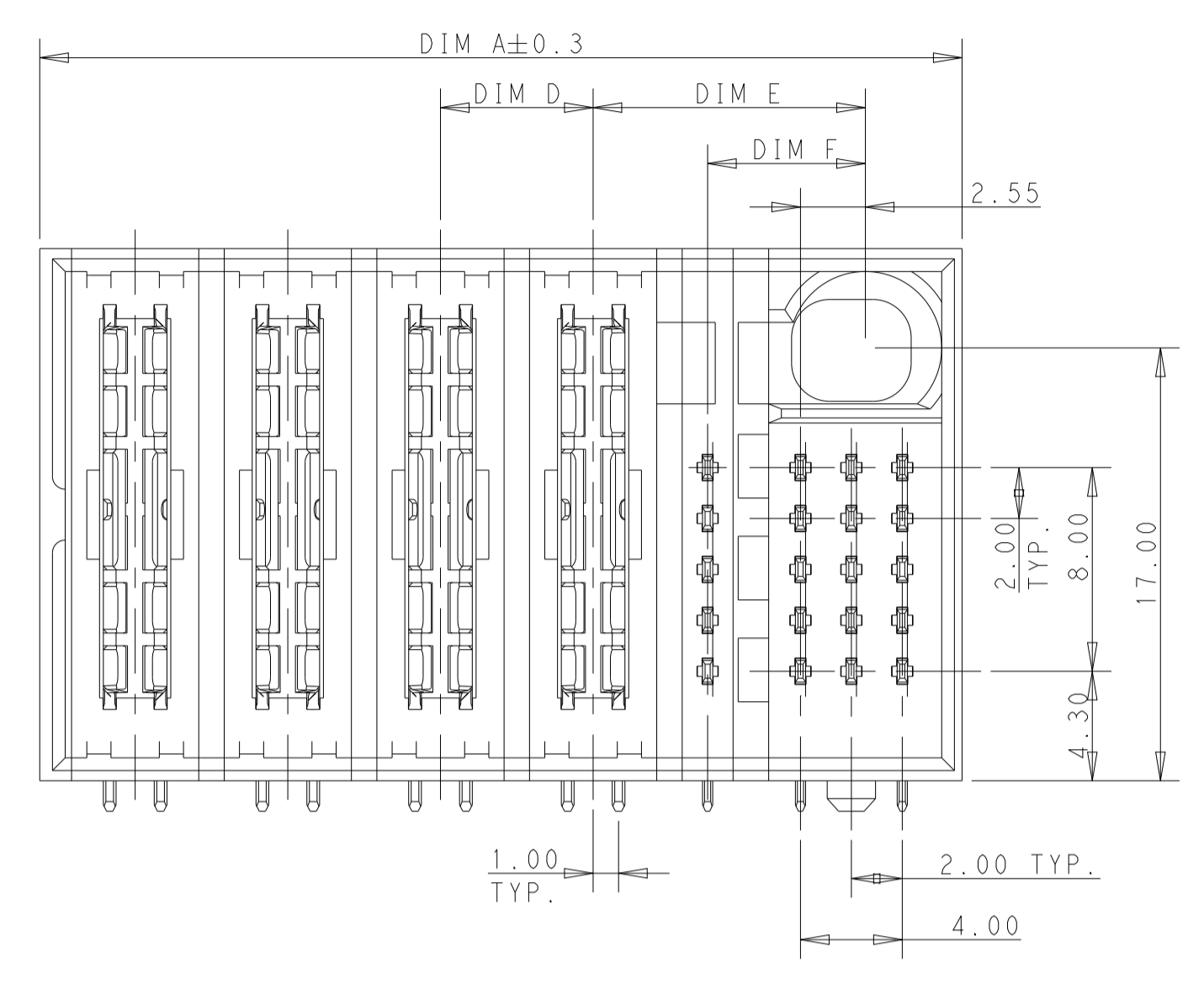


REVISIONS				
P	LTM	DESCRIPTION	DATE	APVD
A7		ECR-19-018617	29NOV2019	TZ SZ
A8		ECR-21-119940	22OCT2021	TZ SH

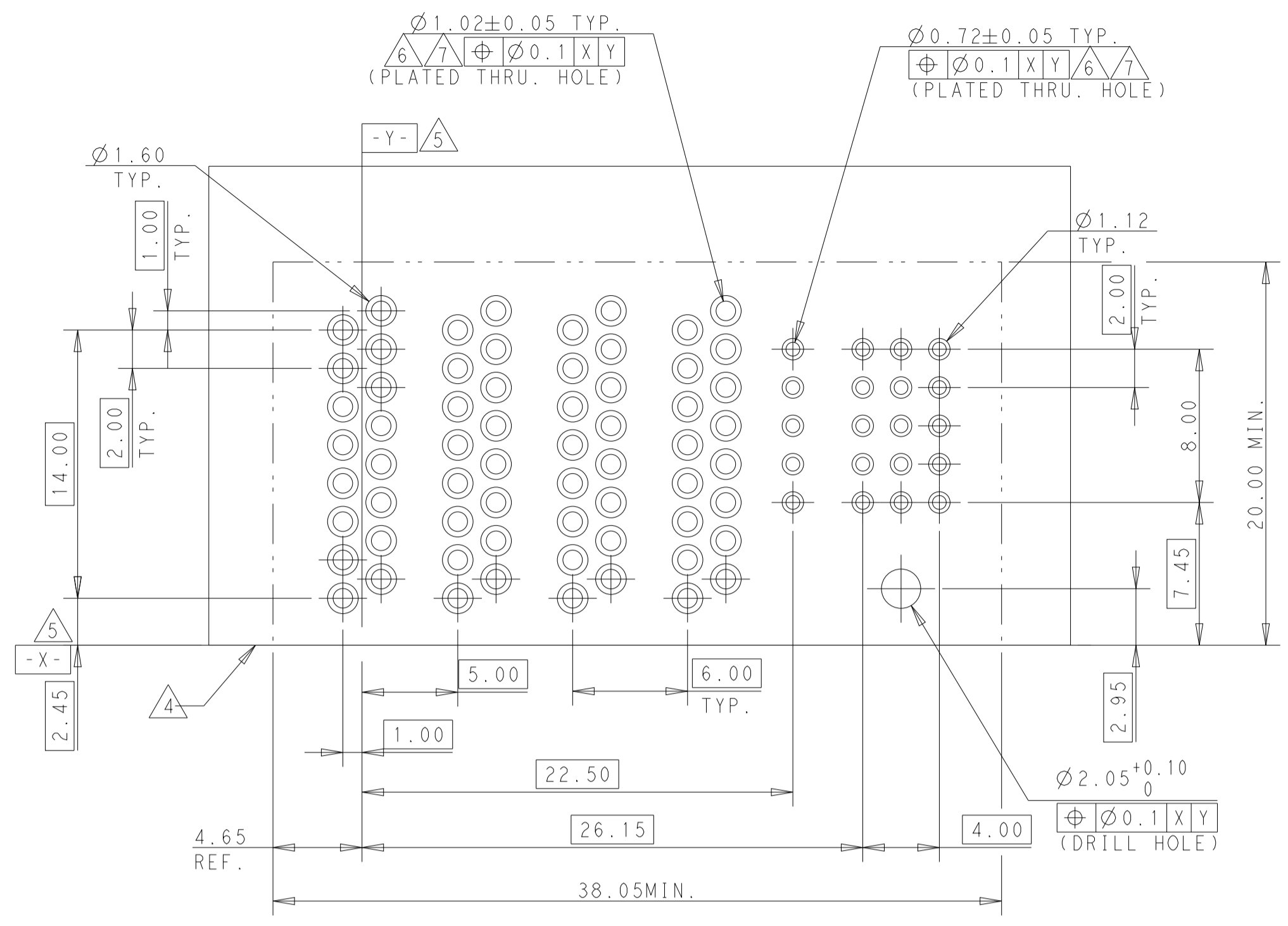


NOTES, UNLESS OTHERWISE SPECIFIED:
 1. "TE", PART NUMBER AND DATE CODE TO BE MARKED IN AREA SHOWN.
 2. MATERIAL:
 HOUSING - GLASS FILLED HIGH TEMP THERMO PLASTIC, COLOR: BLACK, UL94 V- 0.
 SIGNAL CONTACT - HIGH CONDUCTIVITY COPPER ALLOY.
 POWER CONTACT - HIGH CONDUCTIVITY COPPER ALLOY.
 3. CONTACT PLATING:
 MATING AREA - NOBLE METAL OVERALL NICKEL
 TAIL SIDE AREA - MATTE TIN OVERALL NICKEL.
 4. MECHANICAL CONNECTOR KEEP OUT ZONE.
 5. DATUM AND BASIC DIMENSIONS ESTABLISHED BY CUSTOMER.
 6. PCB - ALL HOLE DIAMETERS ARE FINISHED HOLE SIZES.
 7. PCB HOLE:
 POWER - 1.15 ± 0.025 MM DRILLED HOLES SIZE PLATING WITH 0.0076 MM MIN. Sn OVER 0.025-0.076 MM Cu PLATING TO ACHIEVE A 1.02 MM DIA. HOLE.
 SIGNAL - 0.835 ± 0.025 MM DRILLED HOLES SIZE PLATING WITH 0.0076 MM MIN. Sn OVER 0.025-0.076 MM Cu PLATING TO ACHIEVE A 0.72 MM DIA. HOLE.
 8. THE UN-MATING DISTANCE IS 2.0MM FOR THE P/N: 1-2204456-0

PRELIMINARY	13.00	5.00	59.15	59.70	26.00	39.00	52.00	67.25	10S+1P+2P+2P+2P	1-2204456-4
PRELIMINARY	-	5.00	-	12.70	-	-	-	20.25	2P+15S	1-2204456-3
PRELIMINARY	-	5.00	-	12.70	-	-	-	20.25	2MP+15S	1-2204456-2
PRELIMINARY	-	5.00	20.70	25.70	6.20	10.70	5.00	38.25	2P+2LP+2P+20S	1-2204456-0
PRELIMINARY	-	5.00	-	32.70	-	6.20	2.00	40.50	5P+25S	2204456-9
PRELIMINARY	-	-	-	-	-	7.70	5.00	40.50	15S+6P	2204456-8
PRELIMINARY	-	5.00	/	46.70	6.20	10.70	6.00	63.75	3VMP+6VP+20S	2204456-7
PRELIMINARY	-	5.00	20.70	25.70	6.20	10.70	5.00	38.25	2P+2LP+2P+20S	2204456-6
PRELIMINARY	-	5.00	20.70	25.70	6.20	10.70	5.00	38.25	2P+2LP+2P+20S	2204456-3
PRELIMINARY	-	-	-	-	6.20	10.70	6.00	36.25	4VP+20S	2204456-1

DIM H.	DIM G.	DIM C.	DIM B.	DIM F.	DIM E.	DIM D.	DIM A.	DESCRIPTION	PART NUMBER																																																																																																																																
THIS DRAWING IS A CONTROLLED DOCUMENT.																																																																																																																																									
<table border="0"> <tr> <td>DIMENSIONS:</td> <td>TOLERANCES UNLESS OTHERWISE SPECIFIED:</td> <td>OWN</td> <td>27JULY2016</td> <td colspan="6" rowspan="3"> TE Connectivity CUSTOMER DRAWING R/A PLUG WITH SINGAL GUIDE MULTI-BEAM HD SOLDER TYPE </td> </tr> <tr> <td>mm</td> <td>0 PLC ±0.4</td> <td>CHK</td> <td>THOMAS ZHAO</td> </tr> <tr> <td></td> <td>1 PLC ±0.4</td> <td>CHK</td> <td>SUNY ZHAO</td> </tr> <tr> <td></td> <td>2 PLC ±0.75</td> <td>APVD</td> <td>SUNY ZHAO</td> <td>27JULY2016</td> <td colspan="5">NAME</td> </tr> <tr> <td></td> <td>3 PLC ±0.15</td> <td></td> <td></td> <td></td> <td colspan="5">PRODUCT SPEC</td> </tr> <tr> <td></td> <td>4 PLC ±0.0001</td> <td></td> <td></td> <td></td> <td colspan="5">APPLICATION SPEC</td> </tr> <tr> <td></td> <td>ANGLES ±</td> <td></td> <td></td> <td></td> <td colspan="5">SIZE</td> </tr> <tr> <td>MATERIAL:</td> <td>FINISH</td> <td>WEIGHT</td> <td></td> <td></td> <td colspan="5">CAGE CODE</td> </tr> <tr> <td></td> <td></td> <td></td> <td></td> <td></td> <td colspan="5">DRAWING NO</td> </tr> <tr> <td></td> <td></td> <td></td> <td></td> <td></td> <td colspan="5">RESTRICTED TO</td> </tr> <tr> <td></td> <td></td> <td></td> <td></td> <td></td> <td colspan="5">SCALE</td> </tr> <tr> <td></td> <td></td> <td></td> <td></td> <td></td> <td colspan="5">SHEET</td> </tr> <tr> <td></td> <td></td> <td></td> <td></td> <td></td> <td colspan="5">OF</td> </tr> <tr> <td></td> <td></td> <td></td> <td></td> <td></td> <td colspan="5">REV</td> </tr> </table>										DIMENSIONS:	TOLERANCES UNLESS OTHERWISE SPECIFIED:	OWN	27JULY2016	TE Connectivity CUSTOMER DRAWING R/A PLUG WITH SINGAL GUIDE MULTI-BEAM HD SOLDER TYPE						mm	0 PLC ±0.4	CHK	THOMAS ZHAO		1 PLC ±0.4	CHK	SUNY ZHAO		2 PLC ±0.75	APVD	SUNY ZHAO	27JULY2016	NAME						3 PLC ±0.15				PRODUCT SPEC						4 PLC ±0.0001				APPLICATION SPEC						ANGLES ±				SIZE					MATERIAL:	FINISH	WEIGHT			CAGE CODE										DRAWING NO										RESTRICTED TO										SCALE										SHEET										OF										REV				
DIMENSIONS:	TOLERANCES UNLESS OTHERWISE SPECIFIED:	OWN	27JULY2016	TE Connectivity CUSTOMER DRAWING R/A PLUG WITH SINGAL GUIDE MULTI-BEAM HD SOLDER TYPE																																																																																																																																					
mm	0 PLC ±0.4	CHK	THOMAS ZHAO																																																																																																																																						
	1 PLC ±0.4	CHK	SUNY ZHAO																																																																																																																																						
	2 PLC ±0.75	APVD	SUNY ZHAO	27JULY2016	NAME																																																																																																																																				
	3 PLC ±0.15				PRODUCT SPEC																																																																																																																																				
	4 PLC ±0.0001				APPLICATION SPEC																																																																																																																																				
	ANGLES ±				SIZE																																																																																																																																				
MATERIAL:	FINISH	WEIGHT			CAGE CODE																																																																																																																																				
					DRAWING NO																																																																																																																																				
					RESTRICTED TO																																																																																																																																				
					SCALE																																																																																																																																				
					SHEET																																																																																																																																				
					OF																																																																																																																																				
					REV																																																																																																																																				

REVISIONS				
P	LTN	DESCRIPTION	DATE	APPV
-	-	SEE SHEET 1	-	-



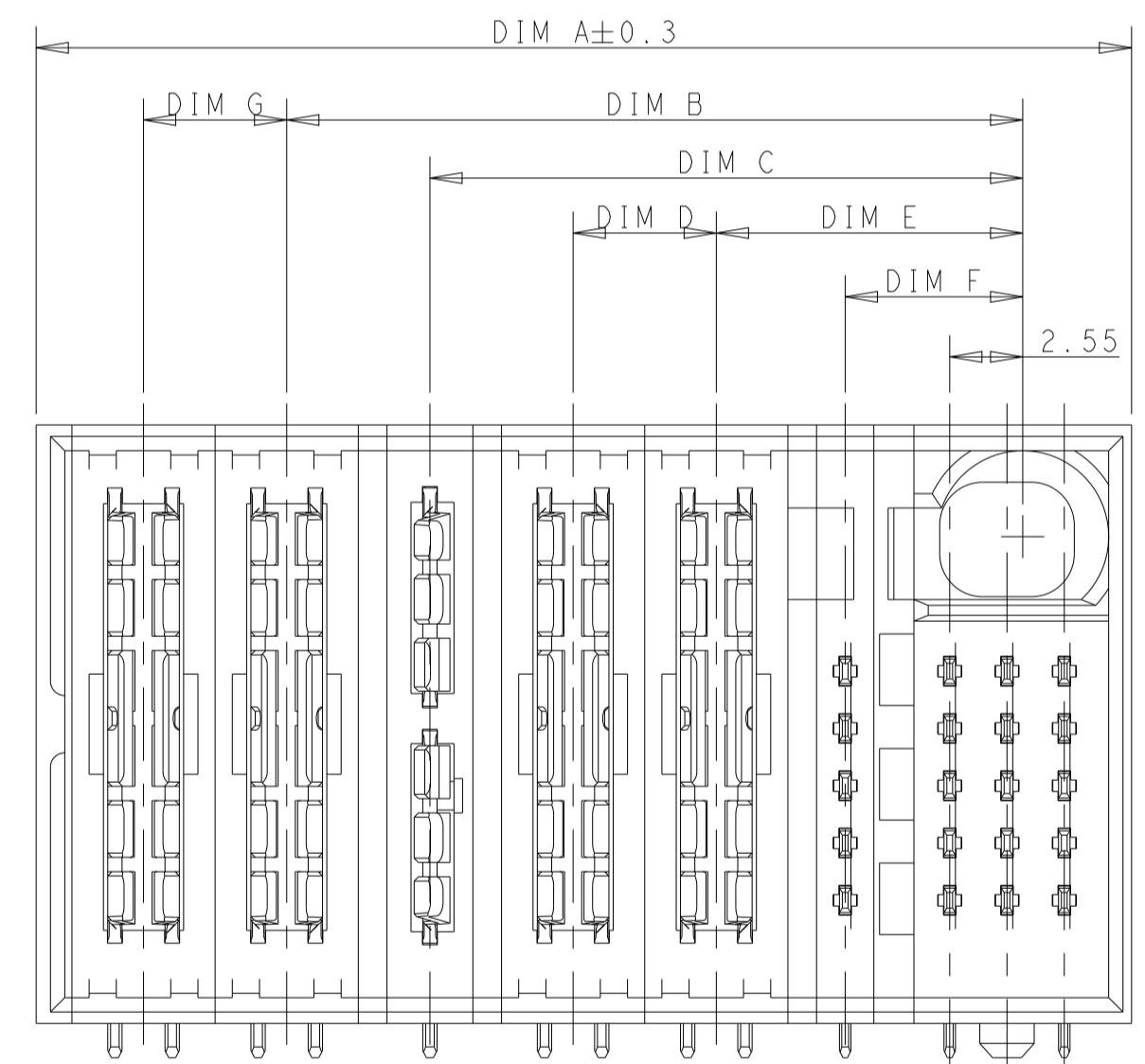
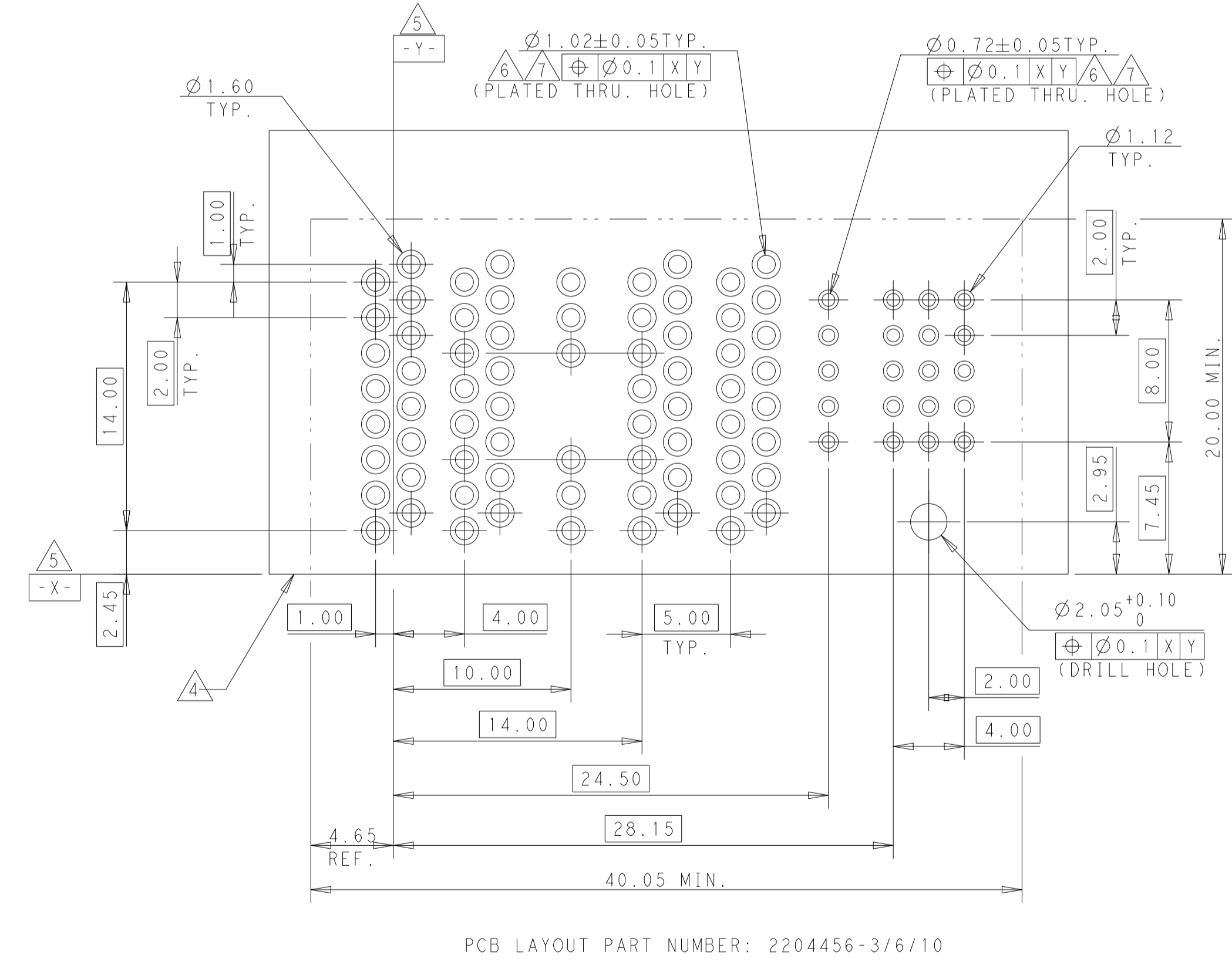
PART NUMBER	POWER				SIGNAL				ROWS
	P1	P2	P3	P4	1	2	3	4	
2204456-1	PK	PK	PK	PK	VK	VK	VK	VK	E D C B A
4VP+20S									

PART NUMBER	POWER				SIGNAL				ROWS	
	P1	P2	LP	P3	P4	1	2	3		4
2204456-3	PK	PK	LK	LK	PK	VK	VK	VK	VK	E D C B A
2P+2LP+2P+20S										

PART NUMBER	POWER				SIGNAL				ROWS	
	P1	P2	LP	P3	P4	1	2	3		4
2204456-6	PK	PK	LK	LK	PK	VJ	VJ	VJ	VJ	E D C B A
2P+2LP+2P+20S										

PART NUMBER	POWER						SIGNAL				ROWS			
	MP1	MP2	MP3	P1	P2	P3	P4	P5	P6	1		2	3	4
2204456-7	MK	MK	MK	PK	PK	PK	PK	PK	PK	VK	VK	VK	VK	E D C B A
3VMP+6VP+20S														

PART NUMBER	POWER				SIGNAL				ROWS	
	P1	P2	LP	P3	P4	1	2	3		4
1-2204456-0	PK	PK	LK	LK	PK	VY	VY	VY	VY	E D C B A
2P+2LP+2P+20S										



LEFT MIDDLE POWER CONTACT SOLDER TYPE	MK1
RIGHT MIDDLE POWER CONTACT SOLDER TYPE	MK2
POWER CONTACT SOLDER TYPE	PK
TOP LOW POWER CONTACT	LK1
BOTTOM LOW POWER CONTACT	LK2
1/M SIGNAL CONTACT STANDARD SOLDER EXTEND UM-MATING	VY1
1/M SIGNAL CONTACT MLBF SOLDER EXTEND UM-MATING	VY2
1/M SIGNAL CONTACT STANDARD SOLDER TAIL LENGTH 2.4MM	VJ1
1/M SIGNAL CONTACT MLBF SOLDER TAIL LENGTH 2.4MM	VJ2
1/M SIGNAL CONTACT STANDARD SOLDER TAIL LENGTH 3.2MM	VK1
1/M SIGNAL CONTACT MLBF SOLDER TAIL LENGTH 3.2MM	VK2
HP/SIGNAL WITH SINGAL GUIDE	HOUSING
DESCRIPTION	CODE

THIS DRAWING IS A CONTROLLED DOCUMENT.

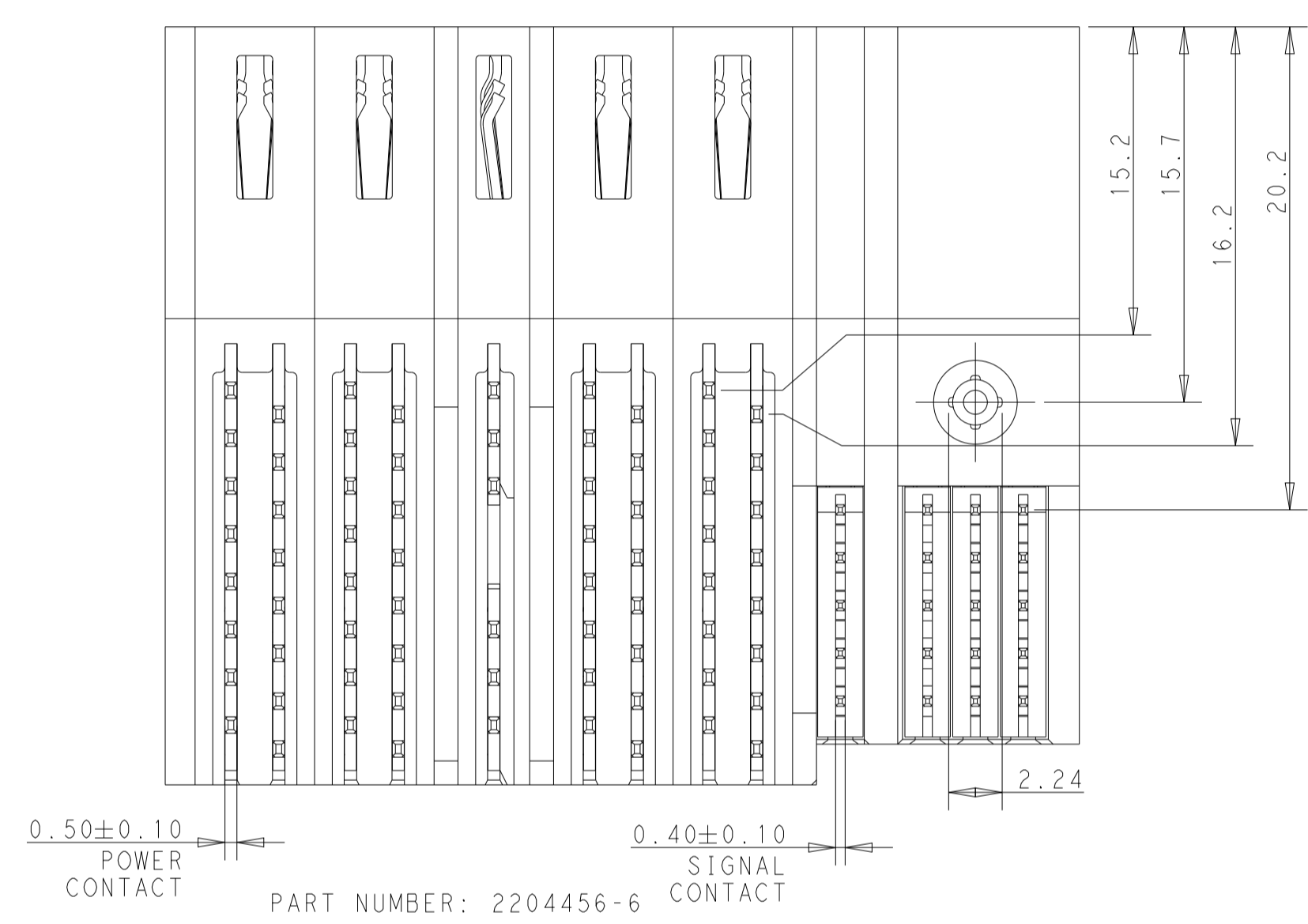
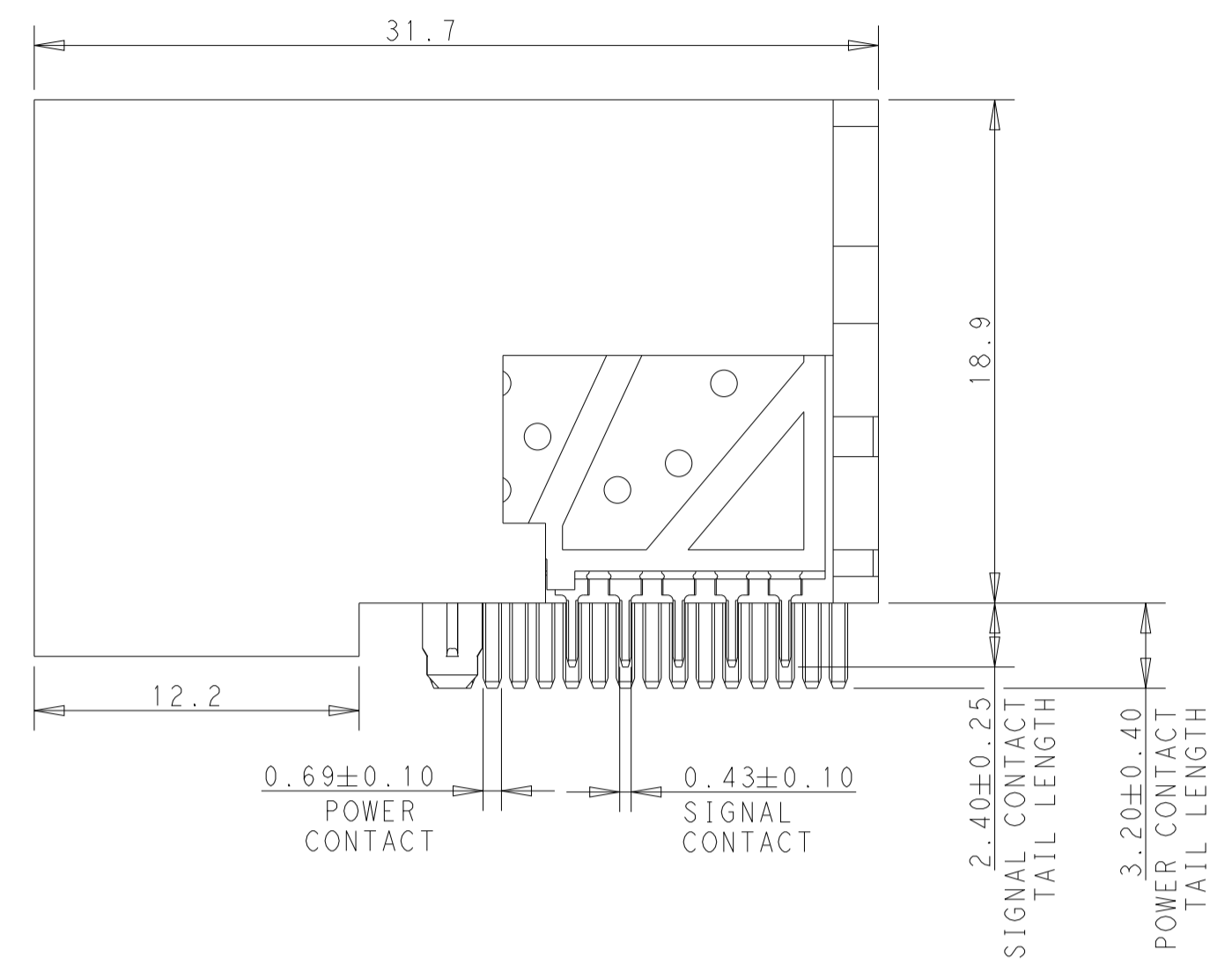
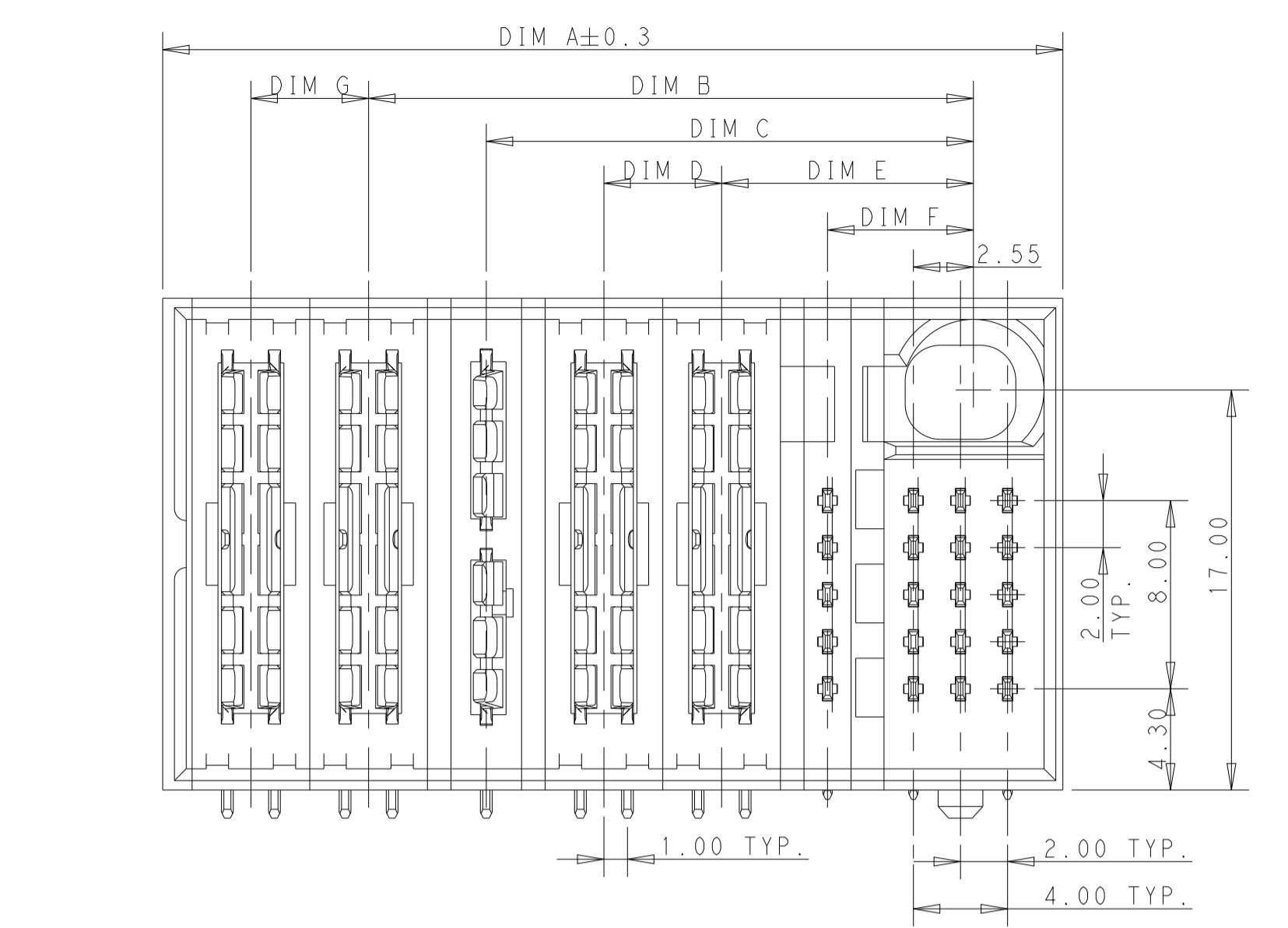
DIMENSIONS: mm
 TOLERANCES UNLESS OTHERWISE SPECIFIED:
 0 PLC ±0.4
 2 PLC ±0.25
 3 PLC ±0.15
 4 PLC ±0.0001
 ANGLES FINISH ±

MATERIAL: -
 FINISH: -
 WEIGHT: -
 CUSTOMER DRAWING

DWN: THOMAS ZHAO 27JULY2016
 CHK: SUNY ZHAO 27JULY2016
 APPV: SUNY ZHAO 27JULY2016
 NAME: CUSTOMER DRAWING R/A PLUG WITH SINGAL GUIDE MULTI-BEAM HD SOLDER TYPE
 SIZE: A1
 CAGE CODE: -
 DRAWING NO: C=2204456
 SCALE: 3:1
 SHEET: 2 OF 4
 REV: A8

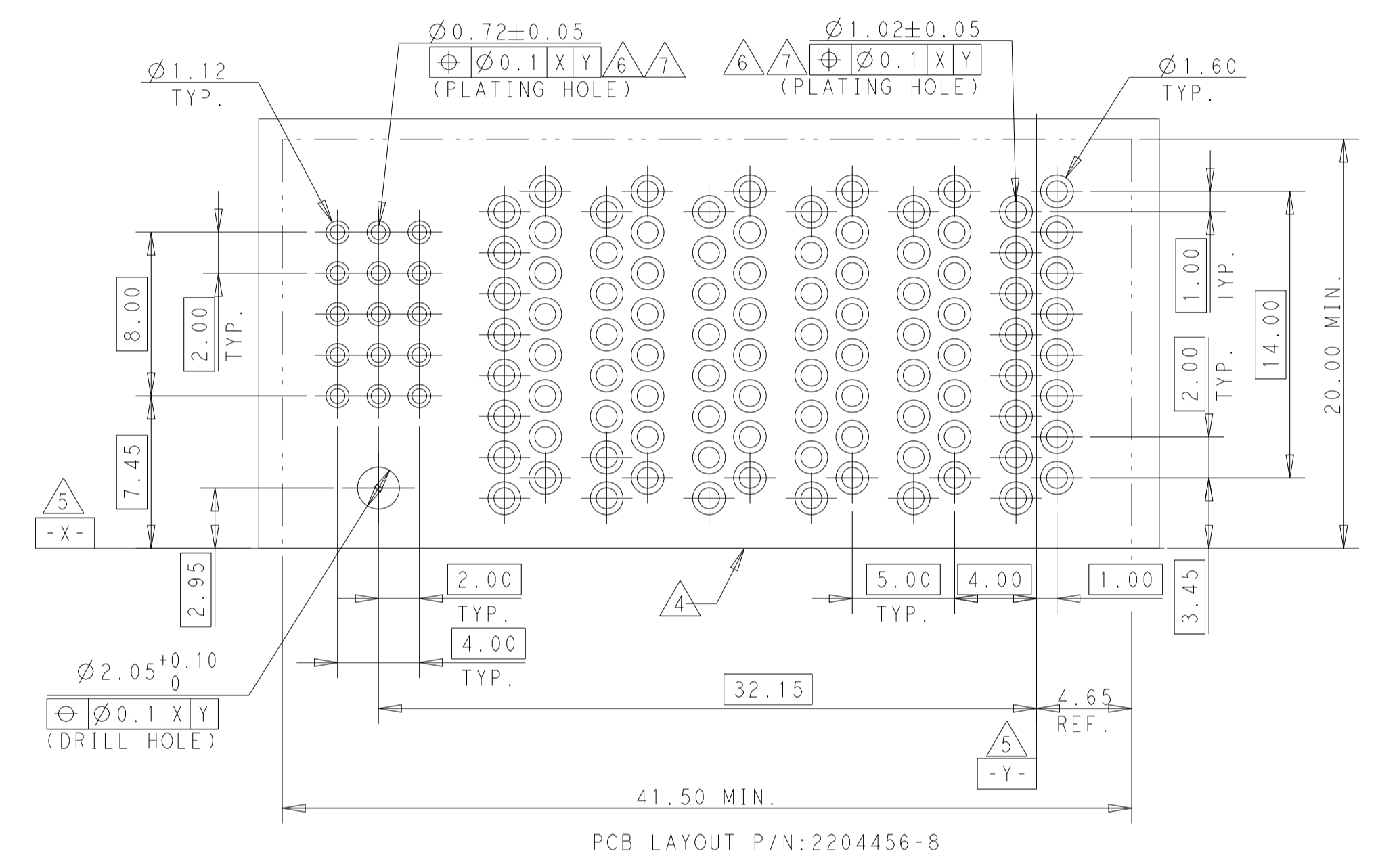
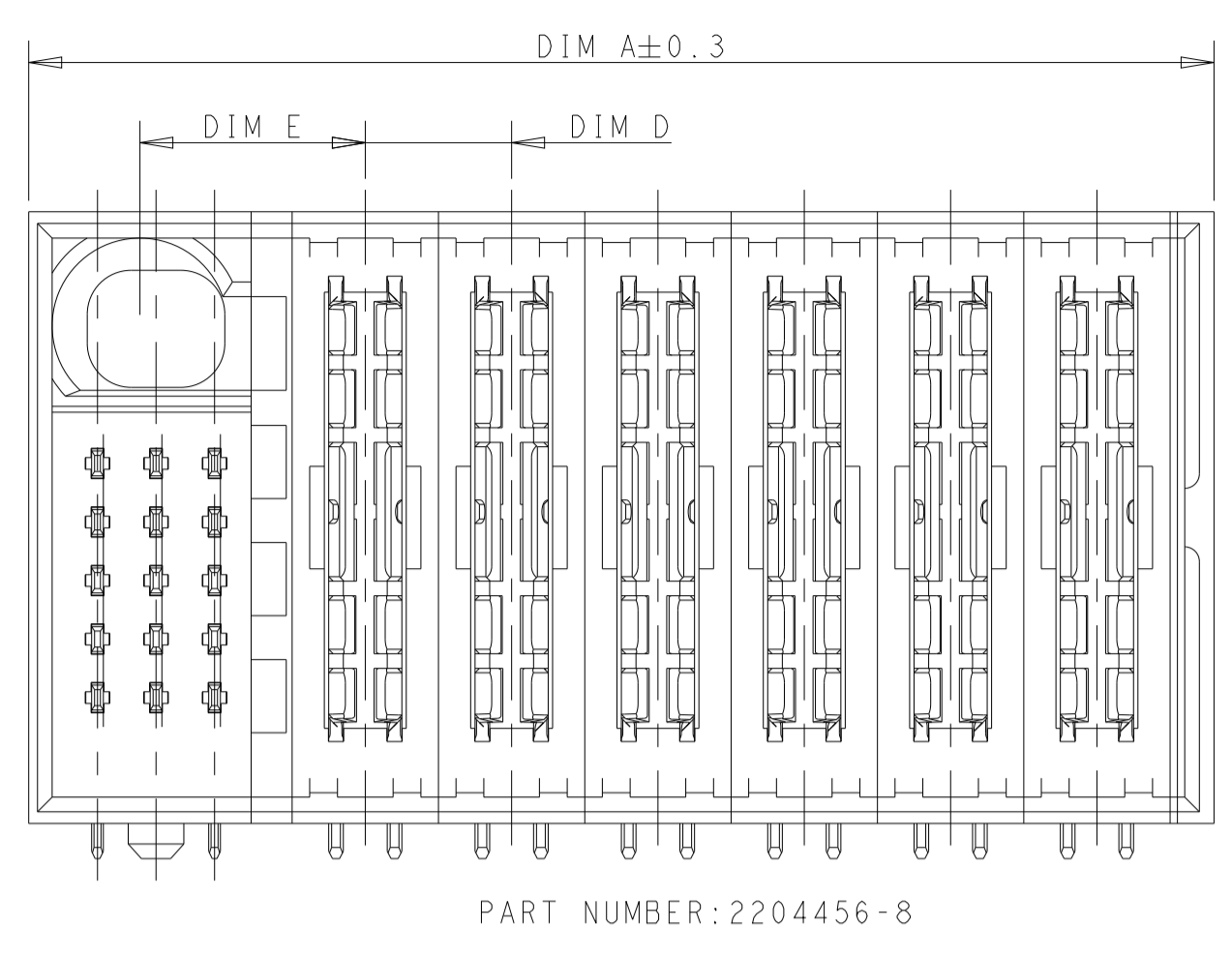
SUNY ZHAO
 PRODUCT SPEC
 APPLICATION SPEC
 RESTRICTED TO

REVISIONS				
P	LTN	DESCRIPTION	DATE	APPD
-	-	SEE SHEET 1	-	-

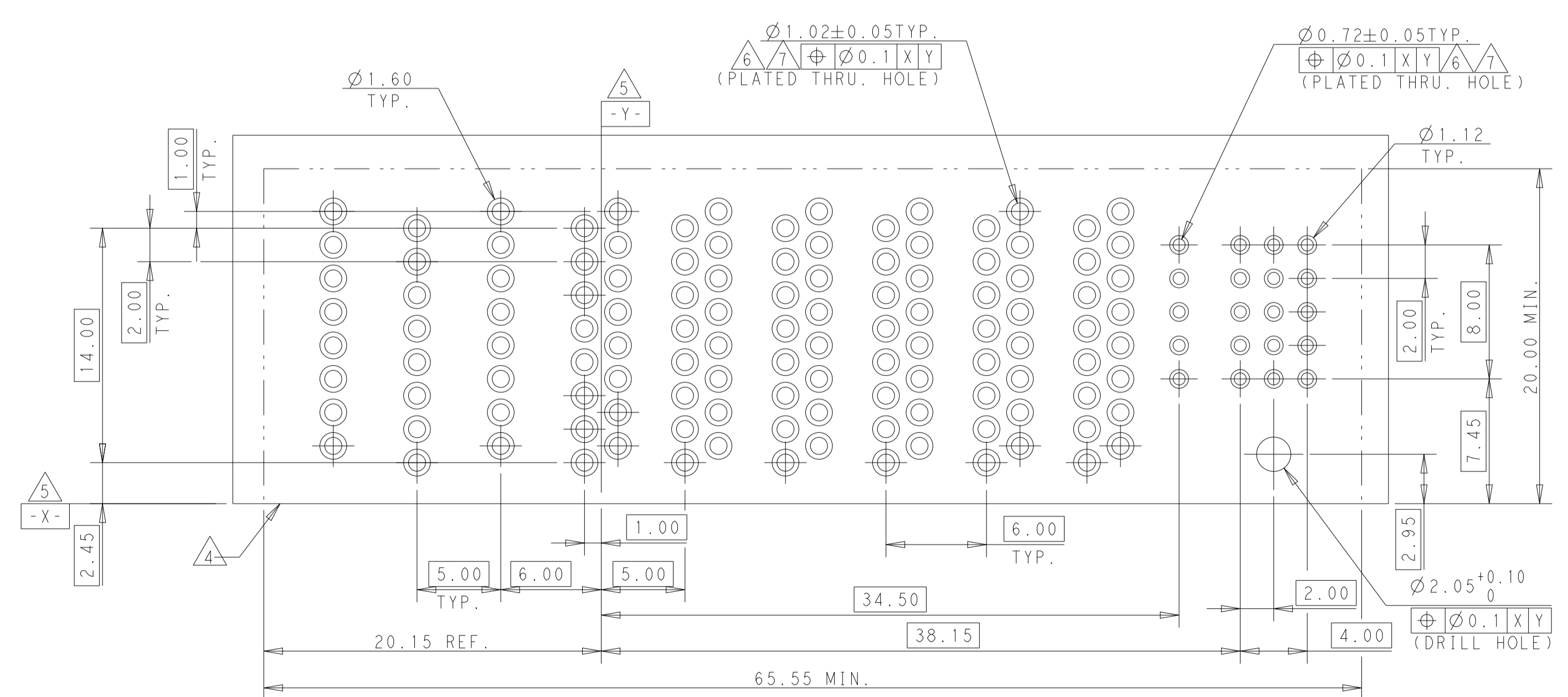
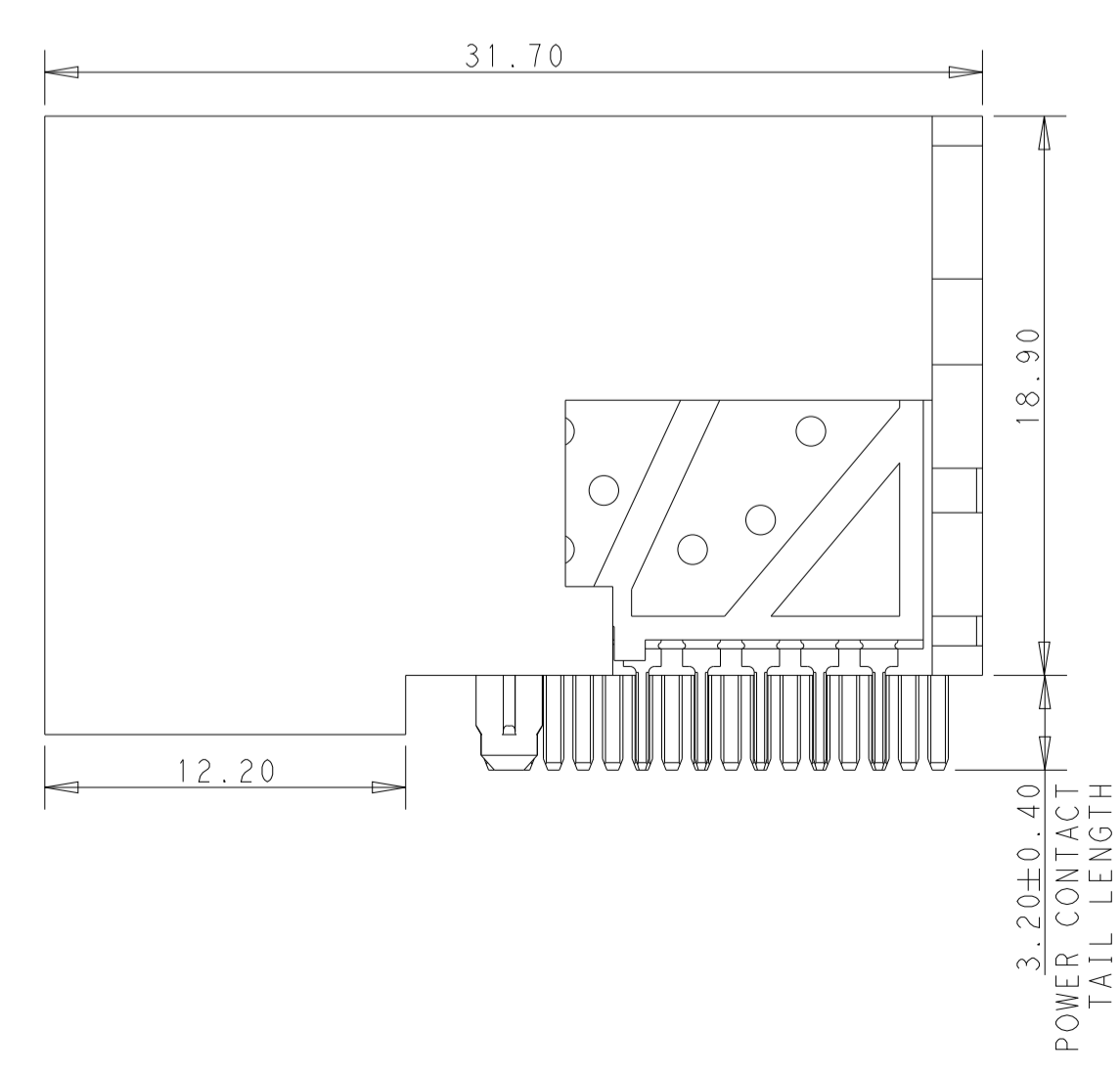
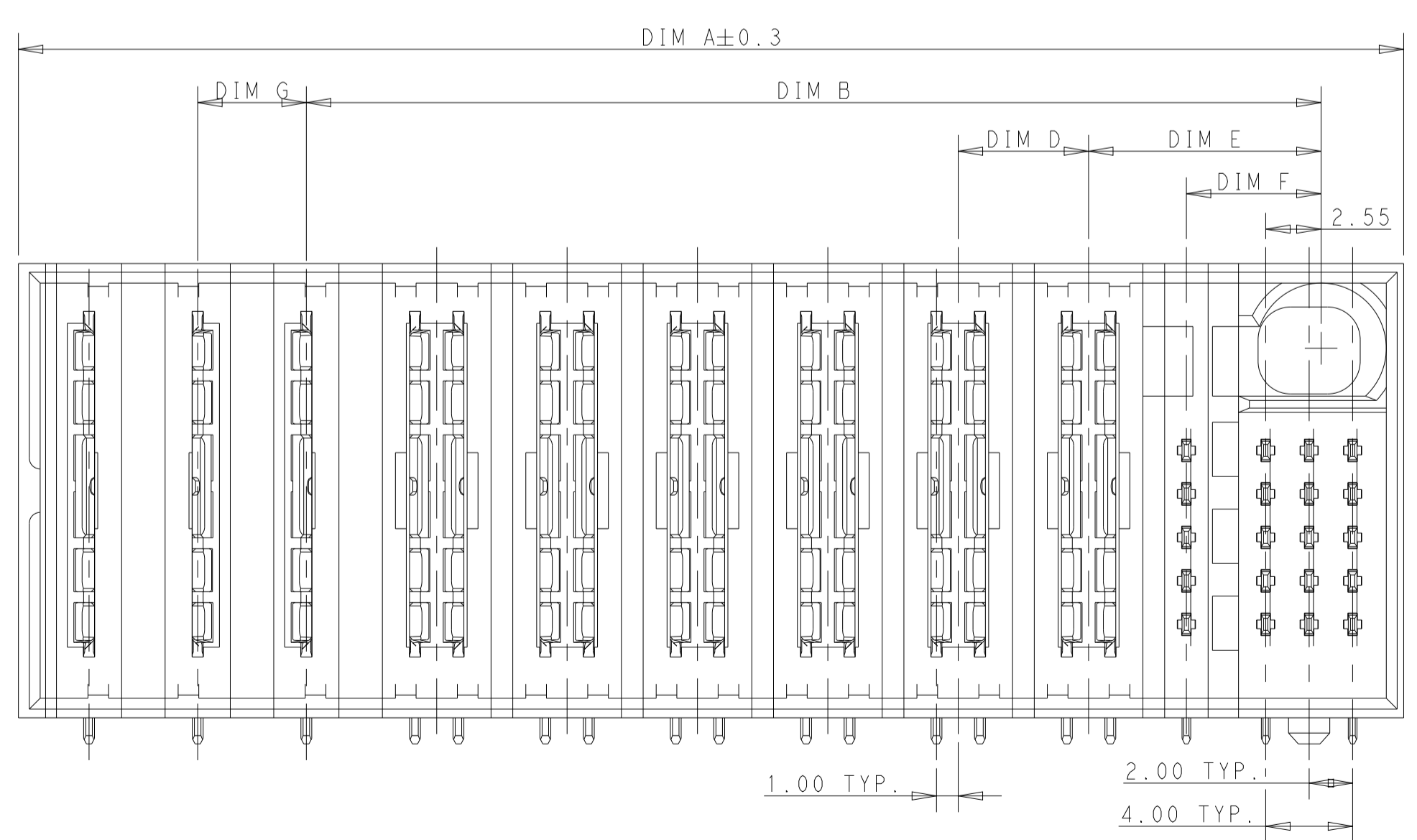


PART NUMBER	ROW	SIGNAL			POWER					
		1	2	3	P1	P2	P3	P4	P5	P6
2204456-8	E	VK	VK	VK	PK	PK	PK	PK	PK	PK
	D	VK	VK	VK						
	C	VK	VK	VK						
	B	VK	VK	VK						
	A	VK	VK	VK						

15S+6P



PCB LAYOUT P/N: 2204456-8



PCB LAYOUT PART NUMBER: 2204456-7

PART NUMBER: 2204456-7

THIS DRAWING IS A CONTROLLED DOCUMENT. DWG: THOMAS ZHAO 27JULY2016, CHK: SUNY ZHAO 27JULY2016, APPD: SUNY ZHAO 27JULY2016.

DIMENSIONS: mm. TOLERANCES UNLESS OTHERWISE SPECIFIED: 0 PLC ±0.4, 1 PLC ±0.4, 2 PLC ±0.25, 3 PLC ±0.15, 4 PLC ±0.0001, ANGLES ±0.0001.

MATERIAL: FINISH.

WEIGHT: CUSTOMER DRAWING.

SCALE: 4:1. SHEET 3 OF 4. REV A8.

STE TE Connectivity. CUSTOMER DRAWING R/A PLUG WITH SINGAL GUIDE MULTI-BEAM HD SOLDER TYPE. SIZE: A1. CAGE CODE: C=2204456. DRAWING NO: 2204456.

