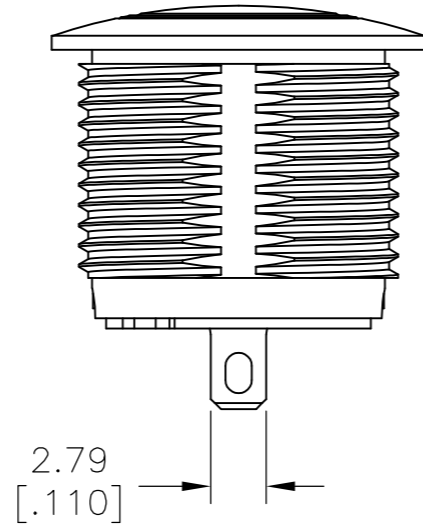
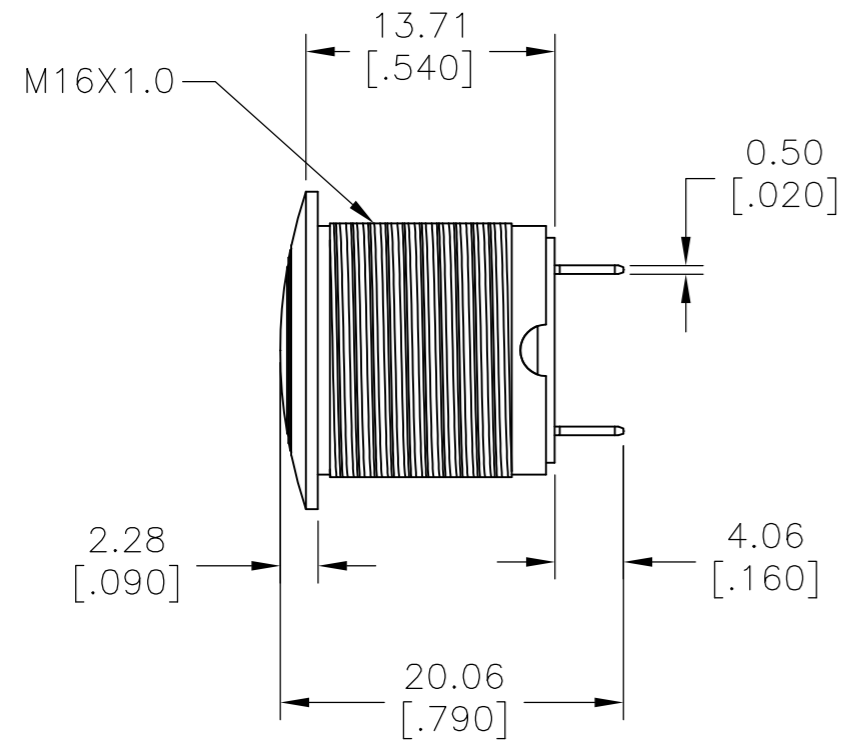
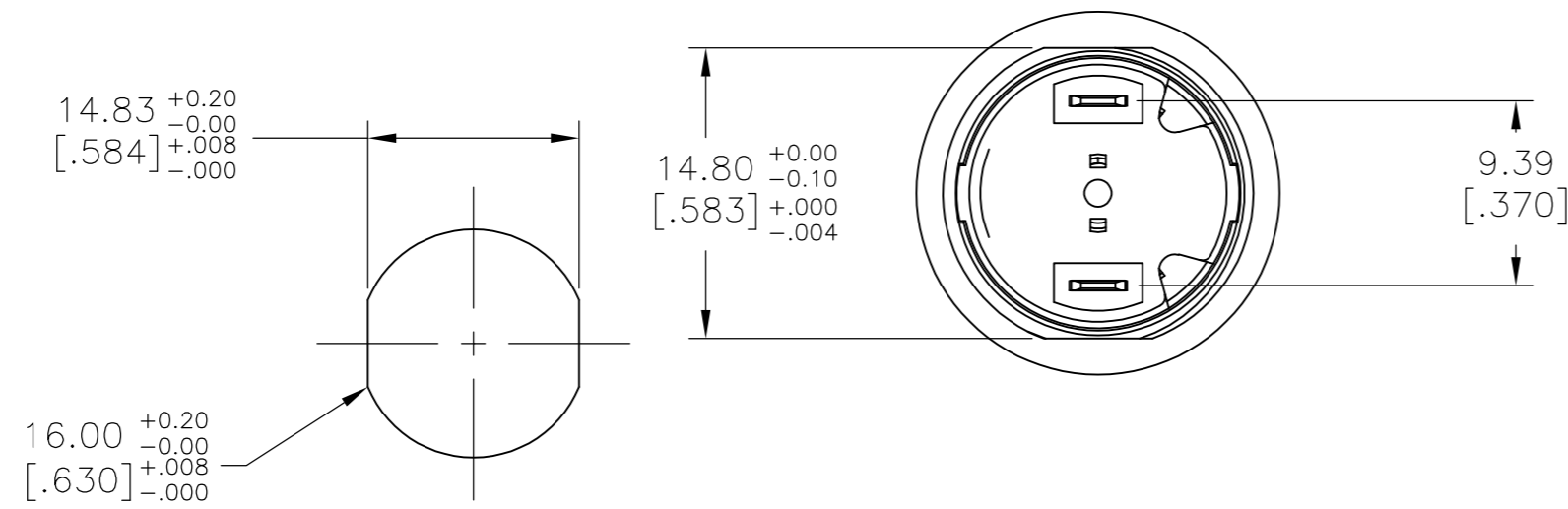
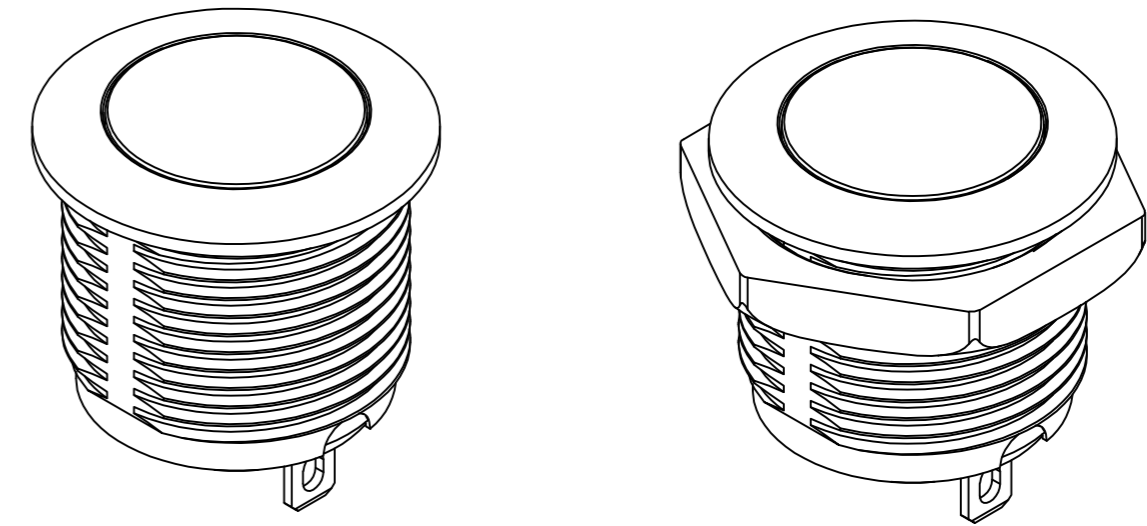


THIS DRAWING IS UNPUBLISHED. RELEASED FOR PUBLICATION
 © COPYRIGHT - By - ALL RIGHTS RESERVED.

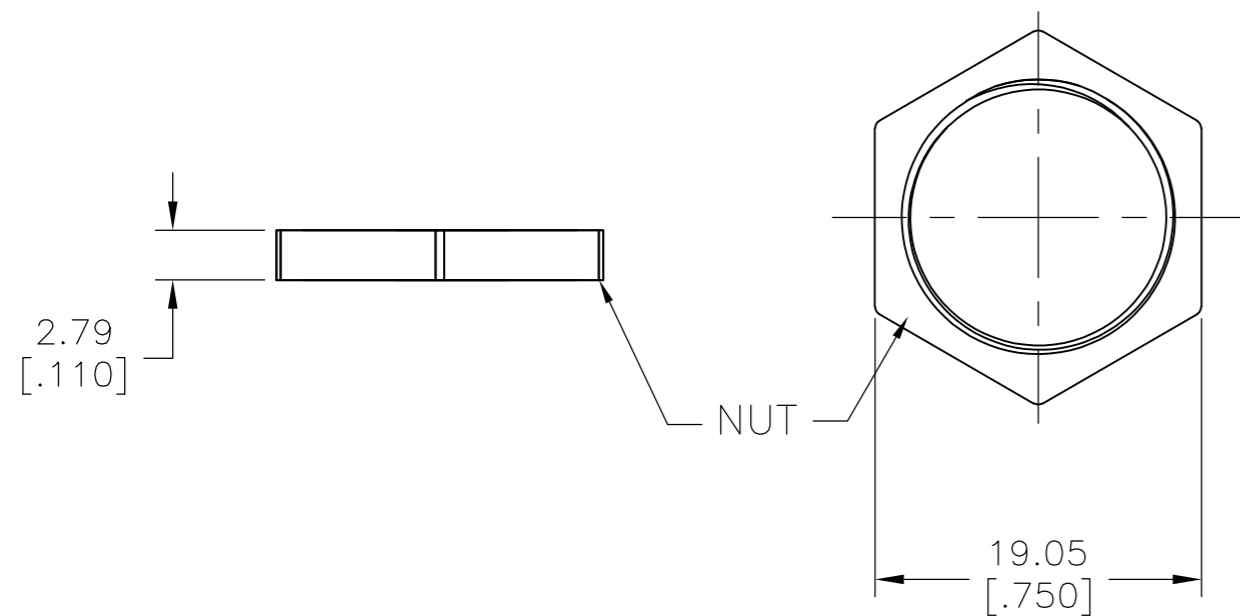
| REVISIONS | | | | |
|-----------|-----|-------------|-----------|-------|
| P | LTR | DESCRIPTION | DATE | APVD |
| A | | NEW DRAWING | 09FEB2016 | NK RH |



ASSEMBLED VIEW



PANEL CUTOUT
 THICKNESS: 8.00mm [0.315] (MAX.)



SPECIFICATIONS

CONTACT RATING: 2A @ 36 VDC RESISTIVE
 INSULATION RESISTANCE: 1,000MΩ MIN AT 500VDC
 DIELECTRIC STRENGTH: 2,000V RMS @ SEA LEVEL
 CONTACT RESISTANCE: 50 mΩ MAX
 ELECTRICAL LIFECYCLES: 200,000 MAKE AND BREAK CYCLES AT FULL LOAD

ACTUATION FORCE: 4.5±1.5 NEWTONS
 ACTUATION TRAVEL: 2.0±0.20MM
 OPERATING TEMPERATURE: -20°C TO +70°C
 MECHANICAL LIFECYCLES: 1,000,000 CYCLES
 HARDWARE TORQUE: 1.15 N-m MAX
 SEALED PER IP67

MATERIALS

BUSHING: ALUMINUM ALLOY
 BASE: PBT (BLUE UL 94-V0)
 ACTUATOR: PC (TRANSLUCENT UL 94-V2)
 SEALING: O-RING (SILICONE)
 TERMINAL: BRASS, GOLD FLASH PLATED
 CONTACT: COPPER BASE, SILVER PLATED
 HEX NUT: BRASS BASE, NICKEL PLATED

1 ALL MATERIAL AND FINISHES SHALL COMPLY WITH EU DIRECTIVE 2002/95/EC OF 27JAN2003 (ROHS)

| | | | | |
|--|------------|--------------------------------|--------------------------------|----------------|
| SINGLE POLE-MOMENTARY | - | - | AV1610000R04 | 2213773-1 |
| POLE/THROW | LED COLOUR | LED VOLTAGE | TE DESCRIPTIVE PN | TE PART NUMBER |
| THIS DRAWING IS A CONTROLLED DOCUMENT. | | DWN 09FEB2016 NAGALAKSHMI K | | |
| DIMENSIONS: mm [INCHES] | | CHK 09FEB2016 HILL RYAN | | |
| TOLERANCES UNLESS OTHERWISE SPECIFIED: | | APVD 09FEB2016 HILL RYAN | NAME | |
| 0 PLC ± - | | PRODUCT SPEC | ANTI-VANDAL SWITCH 16mm NO LED | |
| 1 PLC ± - | | APPLICATION SPEC | SIZE | CAGE CODE |
| 2 PLC ± - | | | A2 | 00779 |
| 3 PLC ± - | | | DRAWING NO | |
| 4 PLC ± - | | | C=2213773 | |
| ANGLES ± - | | WEIGHT | RESTRICTED TO | |
| FINISH | | | - | |
| MATERIAL | | CUSTOMER DRAWING | SCALE 8:1 | SHEET 1 OF 1 |
| | | | REV A | |