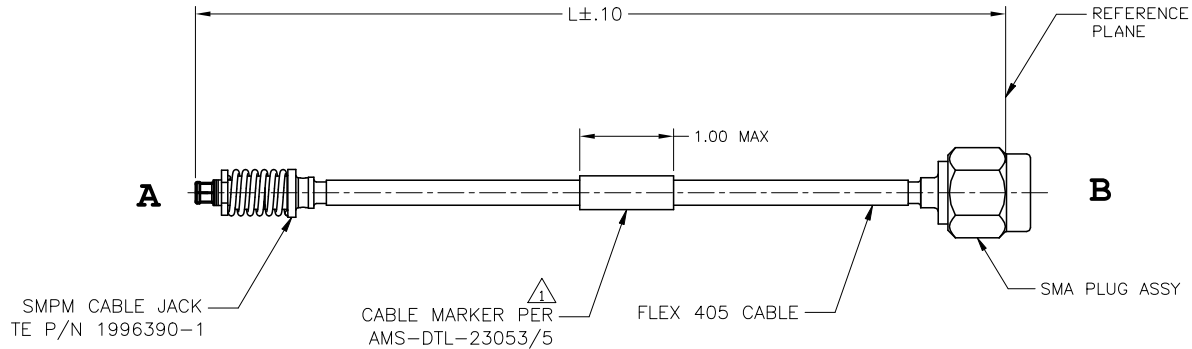


REVISIONS

P	LTR	DESCRIPTION	DATE	DWN	APVD
B		REV PER ECO 20-006193	5-12-20	CT	DHW



1. PART NUMBER, DATE CODE AND "TE" MARKED ON CABLE MARKER.
2. VSWR: 1.2 MAX, DC - 10 GHz
1.35 MAX 10-18 GHz

18.00	1-2221289-8
17.00	1-2221289-7
16.00	1-2221289-6
15.00	1-2221289-5
14.00	1-2221289-4
12.00	1-2221289-2
10.00	1-2221289-0
6.00	2221289-6
4.00	2221289-4
3.00	2221289-3
DIM "L"	PART NUMBER

DIMENSIONS:		TOLERANCES UNLESS OTHERWISE SPECIFIED:		THIS DRAWING IS A CONTROLLED DOCUMENT.		DWN		25MAY2012	
INCHES		0 PLC	± -	D. WILSON		6-27-12		C.C. THOMAS	
		1 PLC	± -	APVD		6-27-12		D. WILSON	
		2 PLC	± -	PRODUCT SPEC					
		3 PLC	± -	APPLICATION SPEC					
		4 PLC	± -	WEIGHT		0.000000		A2 00779	
		ANGLES	± -	CUSTOMER DRAWING				SCALE NTS	
MATERIAL		FINISH		SIZE		CAGE CODE		DRAWING NO	
				RESTRICTED TO		2221289		SHEET 1 of 1	
				REV		B			