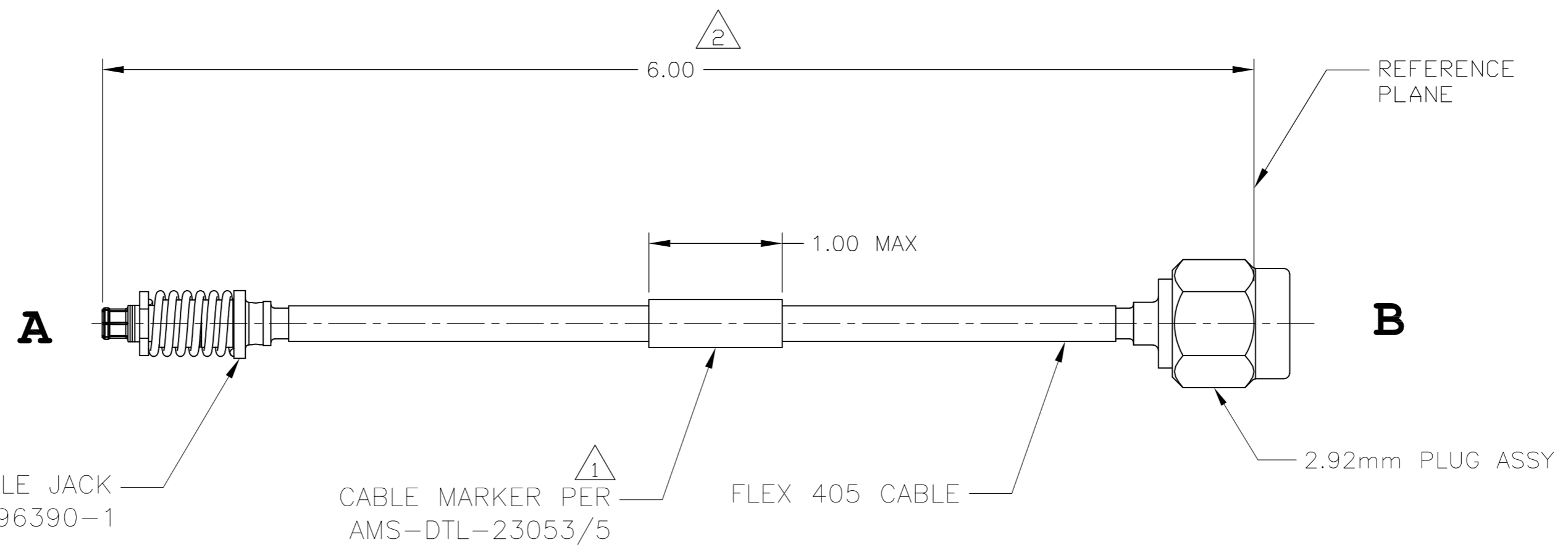


THIS DRAWING IS UNPUBLISHED. RELEASED FOR PUBLICATION
 © COPYRIGHT - By - ALL RIGHTS RESERVED.

LOC		DIST		REVISIONS			
P	LTR	DESCRIPTION		DATE	DWN	APVD	
-	-	A		RELEASED PER ECO 12-017736	10-8-12	CT	DW



- △1 PART NUMBER, DATE CODE AND "TE" MARKED ON CABLE MARKER.
- △2 LENGTH TOLERANCE ± 0.5%, ± .10 IN. MINIMUM.
- 3. VSWR: 1.2 MAX, DC - 10 GHz
 1.35 MAX 10-18 GHz
 TBD MAX 18-28 GHz

2221459

2221459-6
 PART NUMBER

THIS DRAWING IS A CONTROLLED DOCUMENT.		DWN	C.C.THOMAS	10-8-12	TE TE Connectivity																		
DIMENSIONS: INCHES		CHK	D.WILSON	10-8-12																			
TOLERANCES UNLESS OTHERWISE SPECIFIED:		APVD	D.WILSON	10-8-12																			
<table border="1"> <tr><td>0 PLC</td><td>±</td><td>-</td></tr> <tr><td>1 PLC</td><td>±</td><td>-</td></tr> <tr><td>2 PLC</td><td>±</td><td>-</td></tr> <tr><td>3 PLC</td><td>±</td><td>-</td></tr> <tr><td>4 PLC</td><td>±</td><td>-</td></tr> <tr><td>ANGLES</td><td>±</td><td>-</td></tr> </table>		0 PLC	±	-		1 PLC	±	-	2 PLC	±	-	3 PLC	±	-	4 PLC	±	-	ANGLES	±	-	PRODUCT SPEC	NAME	
0 PLC	±	-																					
1 PLC	±	-																					
2 PLC	±	-																					
3 PLC	±	-																					
4 PLC	±	-																					
ANGLES	±	-																					
MATERIAL		APPLICATION SPEC		SIZE	CAGE CODE	DRAWING NO	RESTRICTED TO																
FINISH		WEIGHT		A2	00779	C=2221459	-																
CUSTOMER DRAWING				SCALE	NTS	SHEET	1 of 1																
				REV	A																		