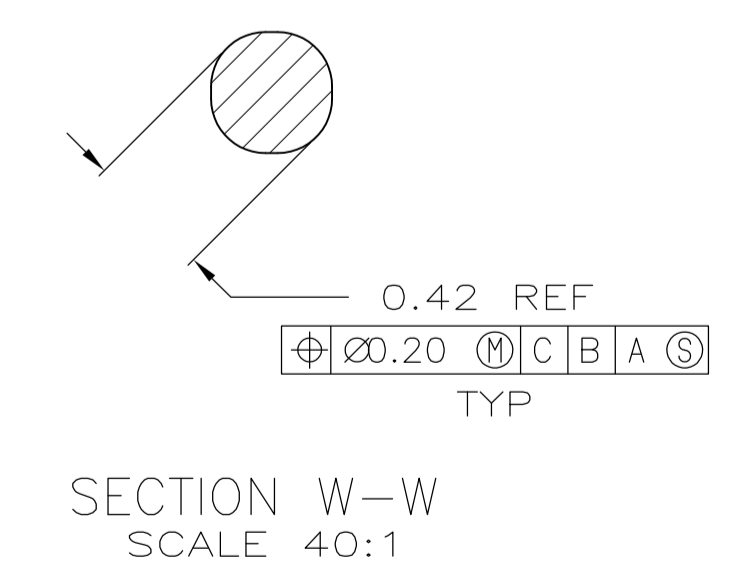
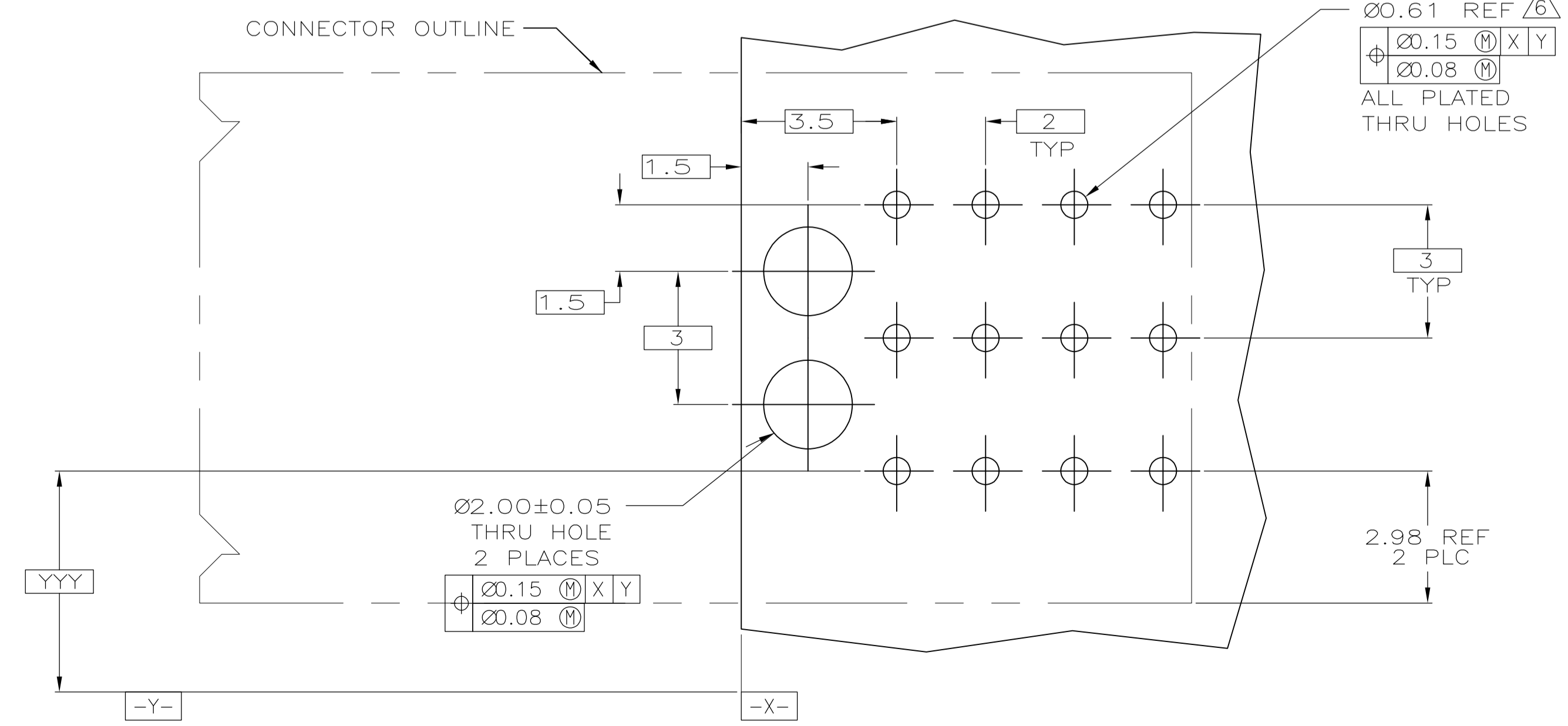
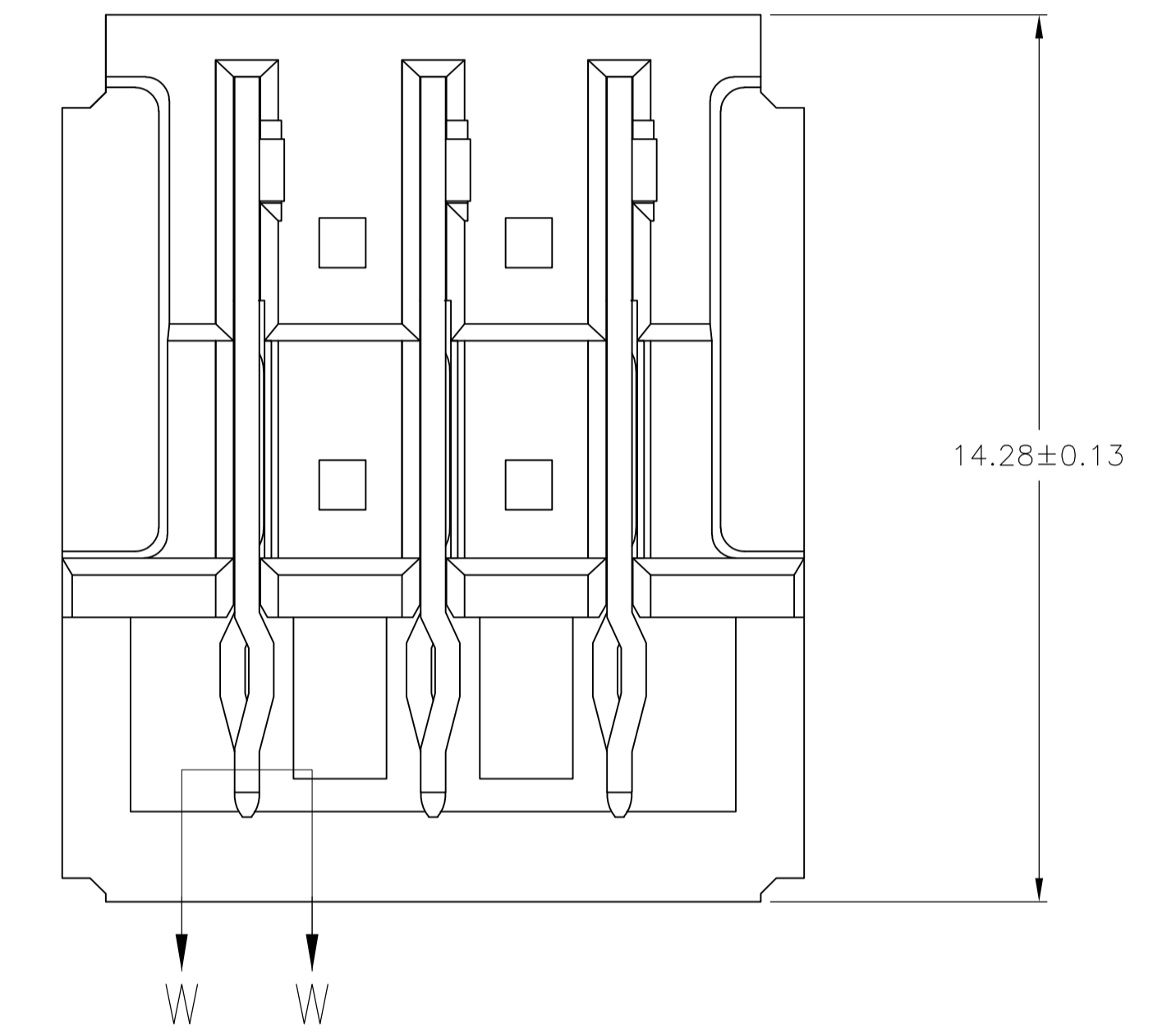
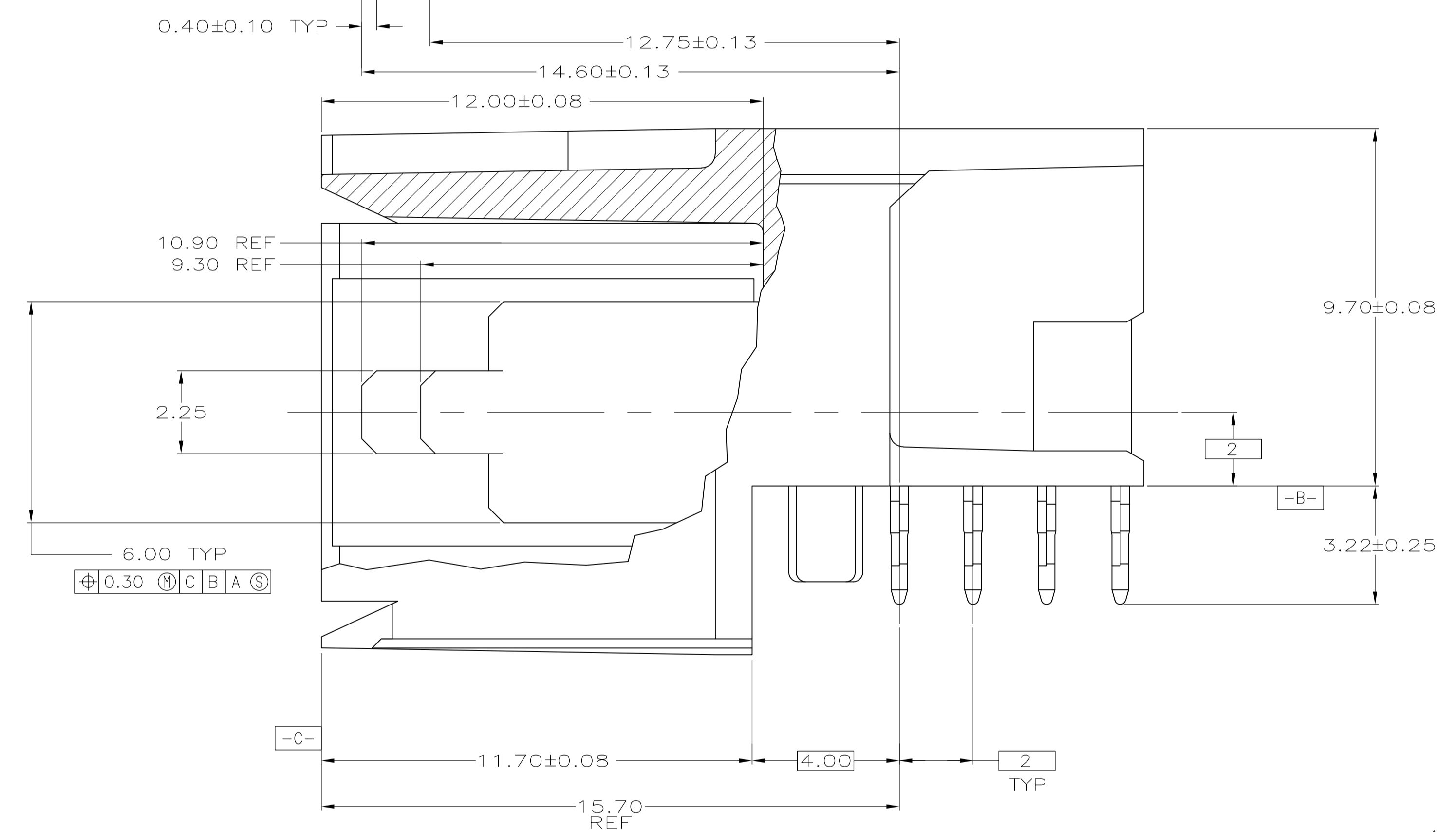
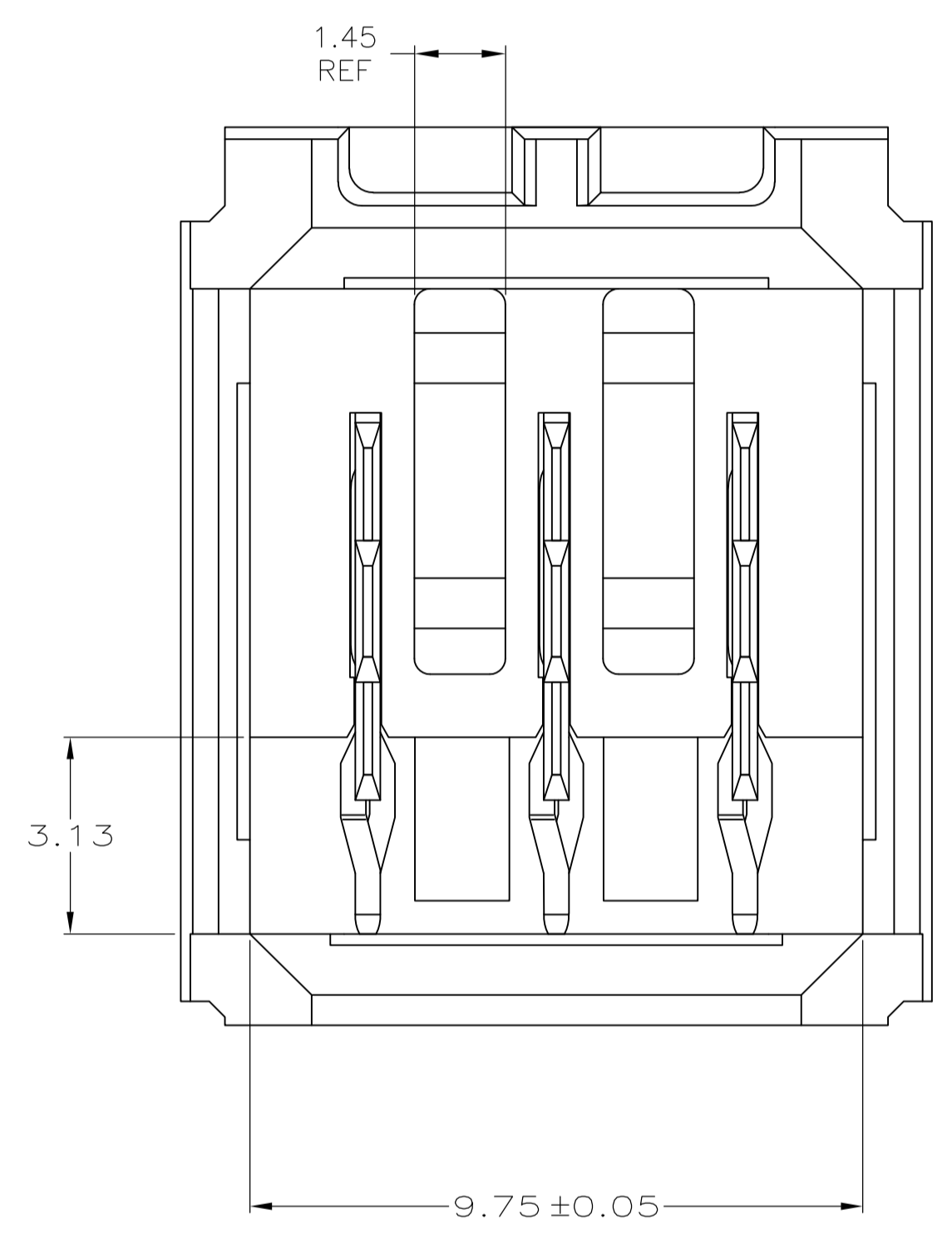


- 1 MATERIAL: HOUSING: POLYESTER. COLOR: GRAY. UL 94V-0. CONTACT: PHOSPHOR BRONZE.
 - 2 FINISH: CONTACT MATING AREA: 1.27µm MIN GOLD OR 0.08µm MIN GOLD OVER 0.76µm MIN PALLADIUM-NICKEL. ACTION PIN AREA: 0.5µm MIN TIN LEAD PLATE, ALL OVER 1.27µm MIN NICKEL UNDERPLATE.
 - 3 FINISH: CONTACT LUBRICATION WITH BELLCORE APPROVED LUBRICANT. TECHNICAL REFERENCE: TR-NWT-001217 ISSUE 1, SEPTEMBER 1992.
 - 4 NUMBER "5" MARKED IN THIS AREA.
 - 5 OBSOLETE
 - 6 REFERENCE APPLICATION SPEC 114-1103 FOR RECOMMENDED PLATED THRU HOLE DIAMETER AND PLATING THICKNESSES.
7. CURRENT RATING 10A/CONTACT PER PRODUCT SPEC 108-1651.



5	GRAY	1-223962-0
4	BLACK	223962-4
3	GRAY	223962-1
	HOUSING COLOR	PART NUMBER

RECOMMENDED PCB HOLE LAYOUT

THIS DRAWING IS A CONTROLLED DOCUMENT.		DIN R. BUCHHEISTER 20/SEP/95		Tyco Electronics Corporation	
DIMENSIONS: mm		CHK N. NORRIS 20/SEP/95		Harrisburg, PA 17105-3608	
TOLERANCES UNLESS OTHERWISE SPECIFIED:		APP'D D. SINISI 20/SEP/95		NAME	
0 PLC	± -	PRODUCT SPEC		ASSEMBLY, RIGHT ANGLE HEADER, W/ RETENTION PEGS, SEQUENCED, UNIVERSAL POWER MODULE	
1 PLC	± -	APPLICATION SPEC		SIZE CAGE CODE DRAWING NO	
2 PLC	± 0.13	MATERIAL		A1 00779 C=223962	
3 PLC	± -	FINISH		WEIGHT	
4 PLC	± -	RESTRICTED TO		CUSTOMER DRAWING	
ANGLES	± -	SCALE 10:1		SHEET 1 OF 1	