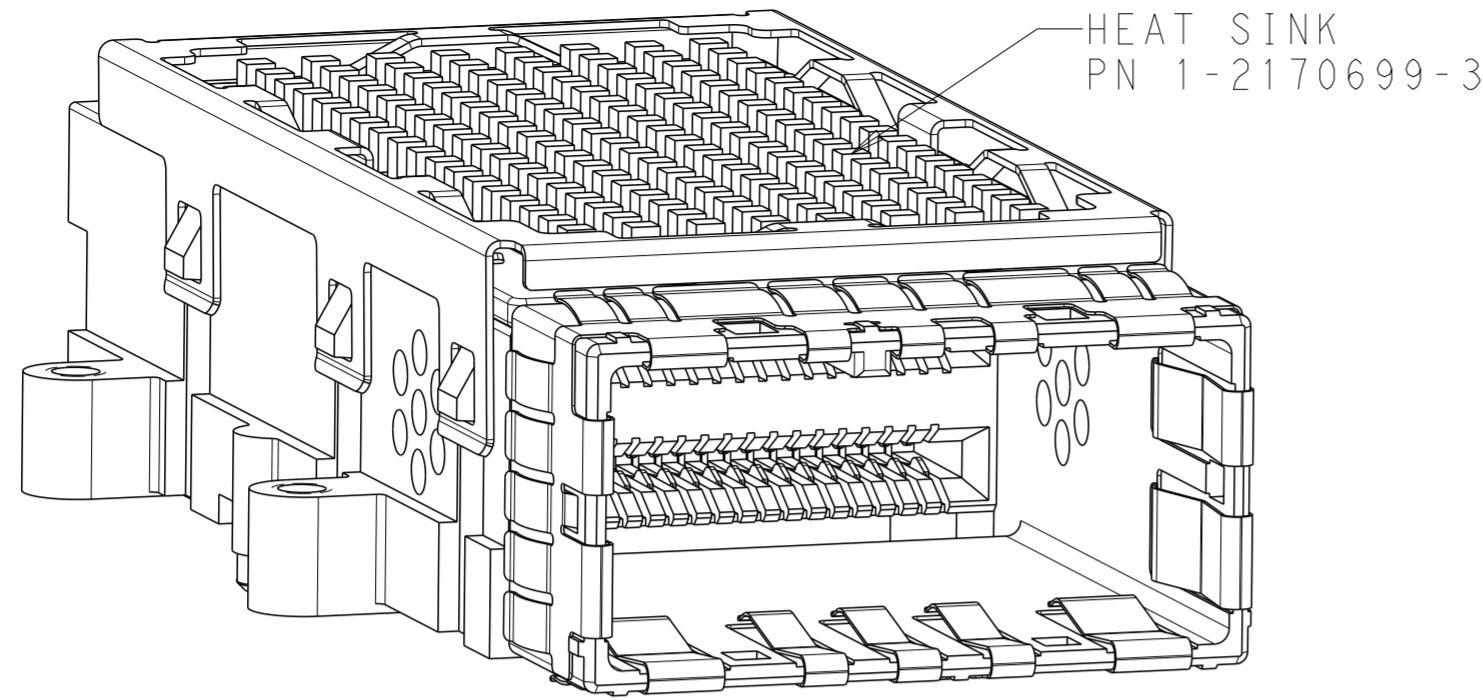
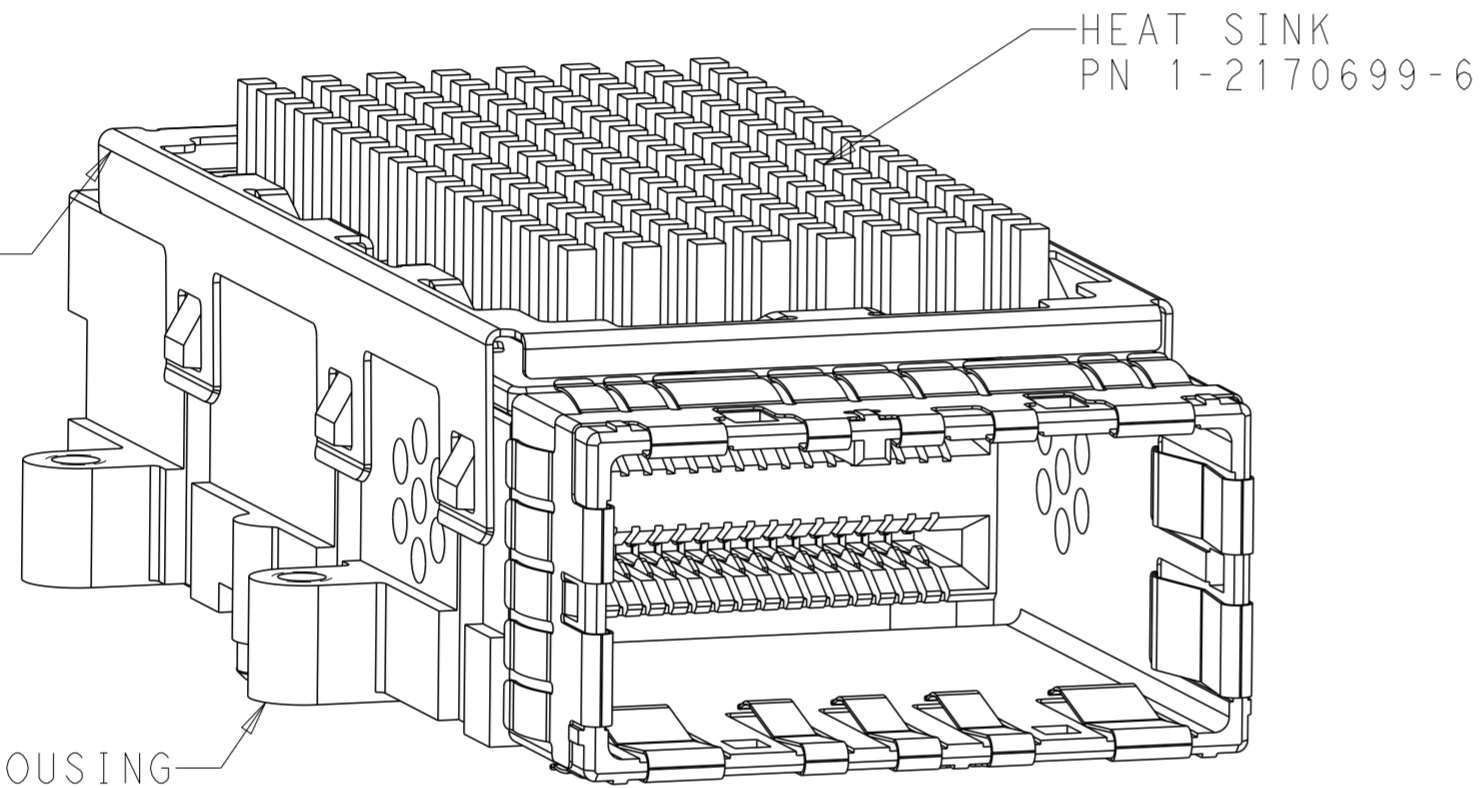


THIS DRAWING IS UNPUBLISHED. RELEASED FOR PUBLICATION 20
 © COPYRIGHT 20 BY - ALL RIGHTS RESERVED.

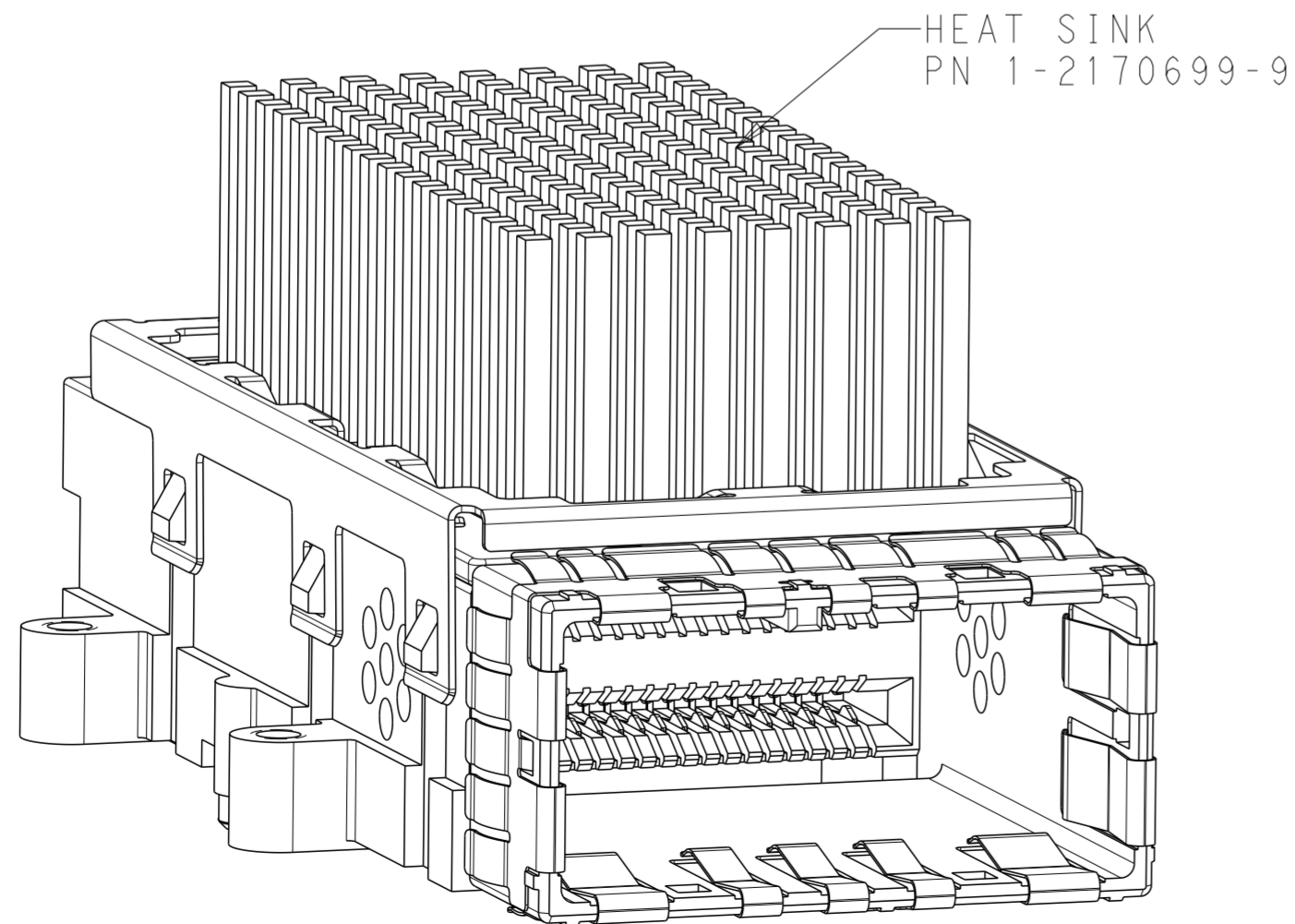
LOC	DIST	REVISIONS					
GP	00	P	LTR	DESCRIPTION	DATE	DWN	APVD
		2		ADDED -3	16APR2014	LAW	SB
		3		UPDATED VIEWS AND HEATSINK PART NUMBERS	08AUG2014	BM	SB
		4		UPDATED HEATSINK PART NUMBERS	03DEC2018	JY	SH
		5		REVISED PER ECN-24-245792	03JAN2024	AP	SKH



2274306-1



2274306-2



2274306-3

1. MATERIALS:
 HOUSING - ZINC ALLOY
 EMI SPRINGS - COPPER ALLOY
 RECEPTACLE HOUSING - LCP, BLACK, UL 94V-0 RATED
 CHICKLET - LCP, BLACK, UL 94V-0 RATED
 CONTACT - PHOSPHOR BRONZE
 EMI SPRING - COPPER ALLOY
 HEAT SINK - ALUMINUM
 CLIP, HEAT SINK - STAINLESS STEEL
2. FINISH:
 CONTACTS - CONFORMS TO THE REQUIREMENTS OF TE PRODUCT SPECIFICATION 108-2426, BASED ON EIA/ECA-364-1000.01A, (CONTROLLED ENVIRONMENT APPLICATIONS) ON MATING INTERFACE, MATTE TIN PLATE OVER NICKEL UNDERPLATE ON COMPLIANT PIN.
 HOUSING - NICKEL PLATE
3. PCB THICKNESS = 1.44 MIN
4. FOR HOLE SIZE AND FINISHES, SEE APPLICATION SPEC 114-13283
5. THE ENTIRE AREA OF THE CONNECTOR FOOTPRINT, INDICATED BY CROSSHATCHING, TO BE CONSIDERED THE KEEP-OUT AREA FOR COMPONENTS AND SIGNAL TRACES, TOP SIDE ONLY, TOP SIDE TRACES ALLOWED WITHIN CONNECTOR HOLE PATTERN, CROSSHATCHING TO BE CONDUCTIVE
6. MOUNTING HARDWARE REQUIRED:
 M2x0.4 (4)
 MOUNTING SCREW LENGTH = BOARD THICKNESS PLUS 8mm MAX
7. COMPONENTS PACKAGED UNASSEMBLED. (CONNECTOR SHOWN ASSEMBLED)

	23.18±0.5	84 POSITION RECEPTACLE KIT WITH HEAT SINK	2274306-3
OBsolete	16.18±0.5	84 POSITION RECEPTACLE KIT WITH HEAT SINK	2274306-2
	13.88±0.5	84 POSITION RECEPTACLE KIT WITH HEAT SINK	2274306-1
D		DESCRIPTION	PART NUMBER

THIS DRAWING IS A CONTROLLED DOCUMENT. DIMENSIONING AND TOLERANCING PER ASME Y14.5M-2009

DIMENSIONS: mm

TOLERANCES UNLESS OTHERWISE SPECIFIED:
 0 PLC ±0.15
 1 PLC ±0.15
 2 PLC ±0.15
 3 PLC ±
 4 PLC ±
 ANGLES ±1°
 FINISH

DWN: B. MATTHEWS 02OCT2013
 CHK: S. BOLASH 02OCT2013
 APVD: S. BOLASH 02OCT2013

PRODUCT SPEC: 108-2426
 APPLICATION SPEC: 114-13283

NAME: RECEPTACLE KIT WITH HEAT SINK, BELLY-BELLY, STANDARD, 84 POSITION, CXP

SIZE: A2 CAGE CODE: 00779 DRAWING NO: C-2274306 RESTRICTED TO: -

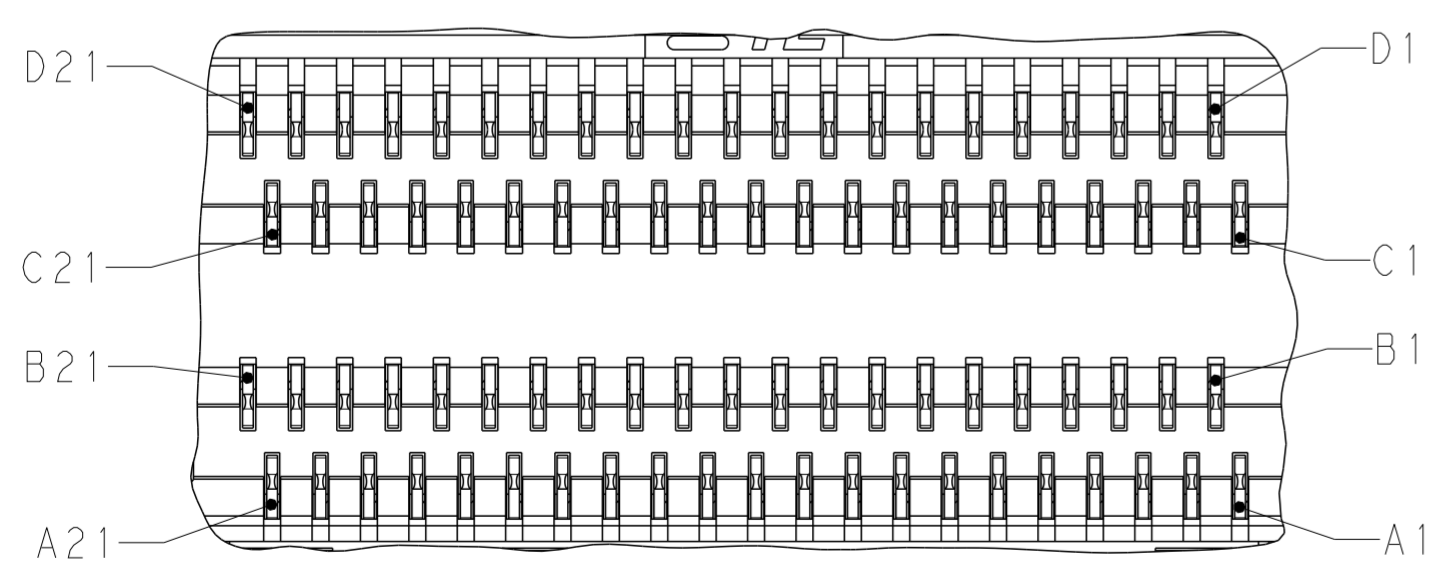
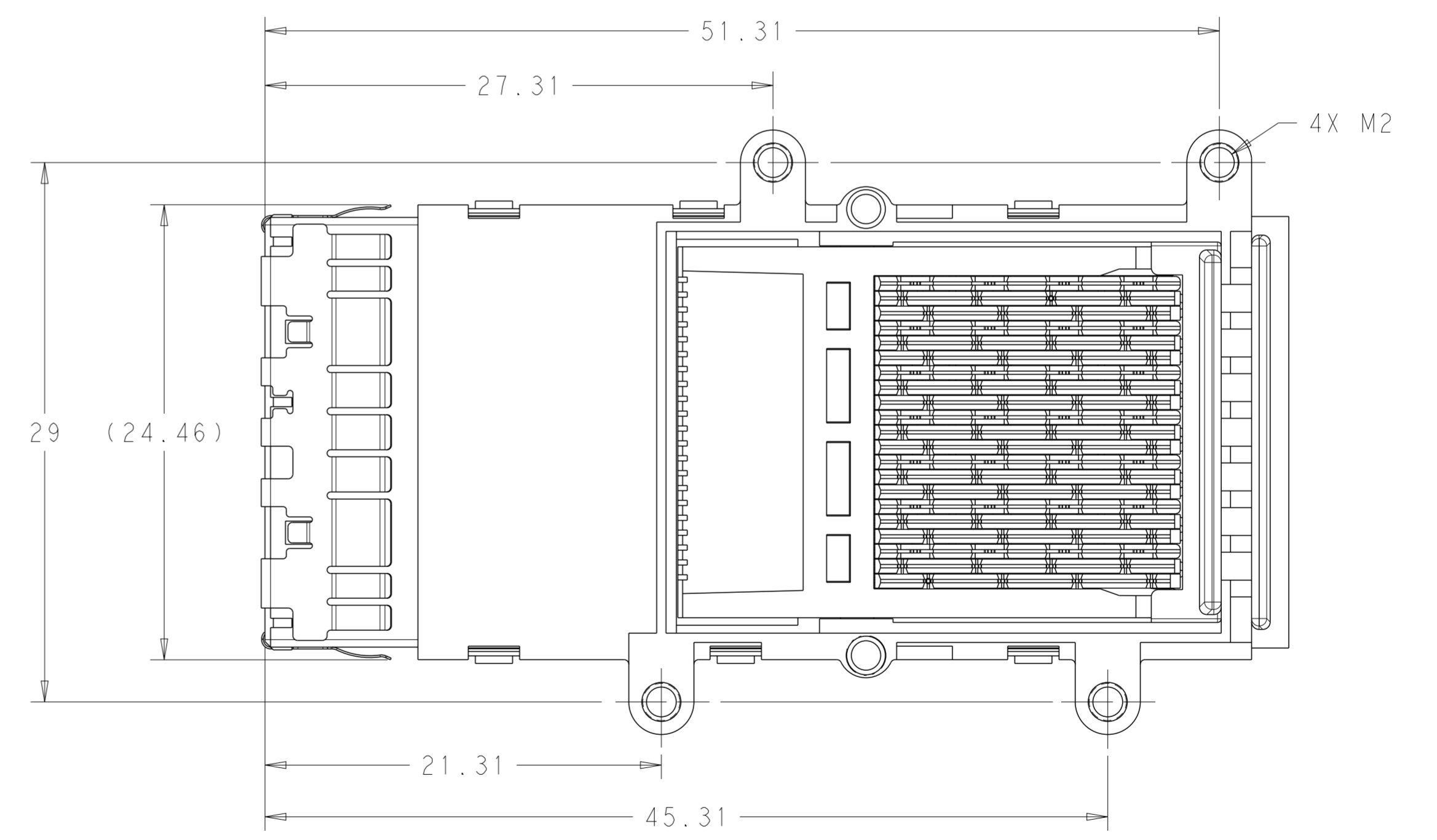
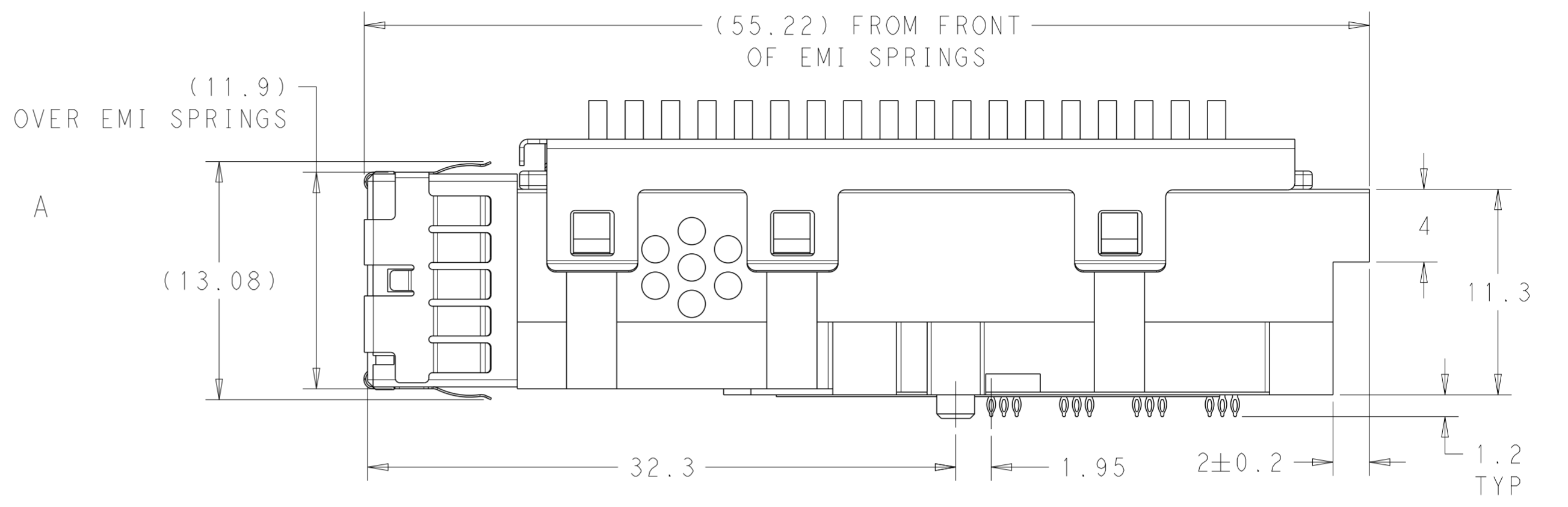
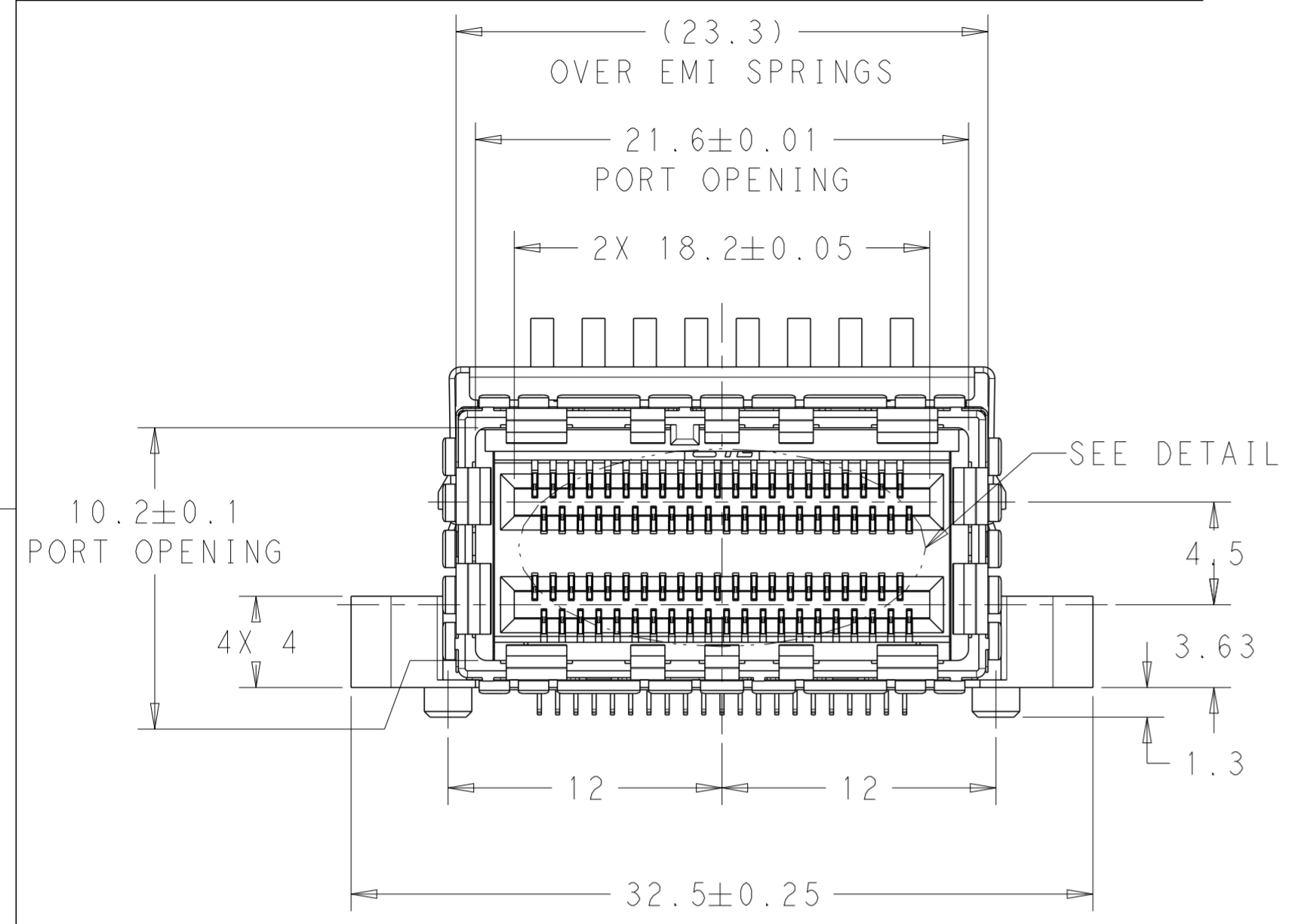
WEIGHT: -

CUSTOMER DRAWING SCALE: 4:1 SHEET 1 OF 4 REV 5

PRELIMINARY PART- NOT RELEASED FOR PRODUCTION

THIS DRAWING IS UNPUBLISHED. RELEASED FOR PUBLICATION 20
 © COPYRIGHT 20 BY - ALL RIGHTS RESERVED.

LOC	DIST	REVISIONS			
P	LTR	DESCRIPTION	DATE	DWN	APVD
GP	00	SEE SHEET 1	-	-	-

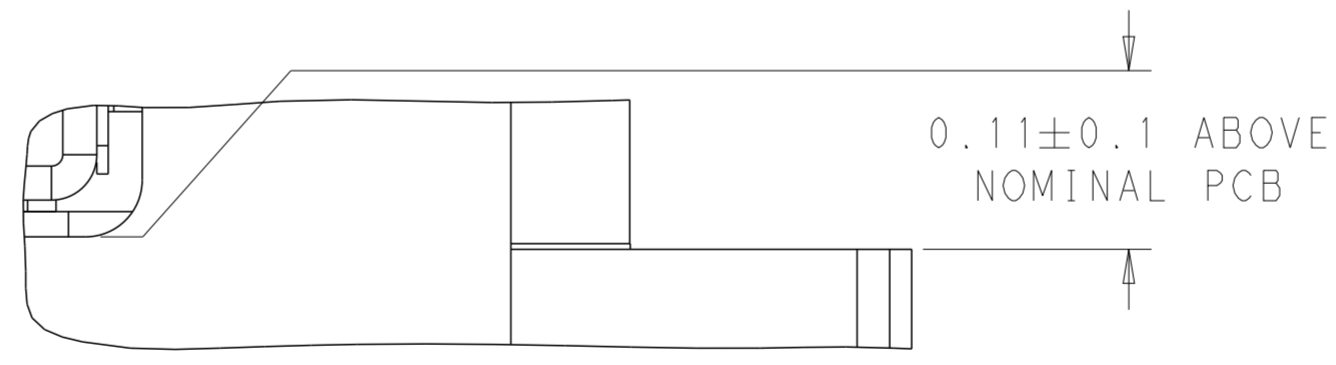
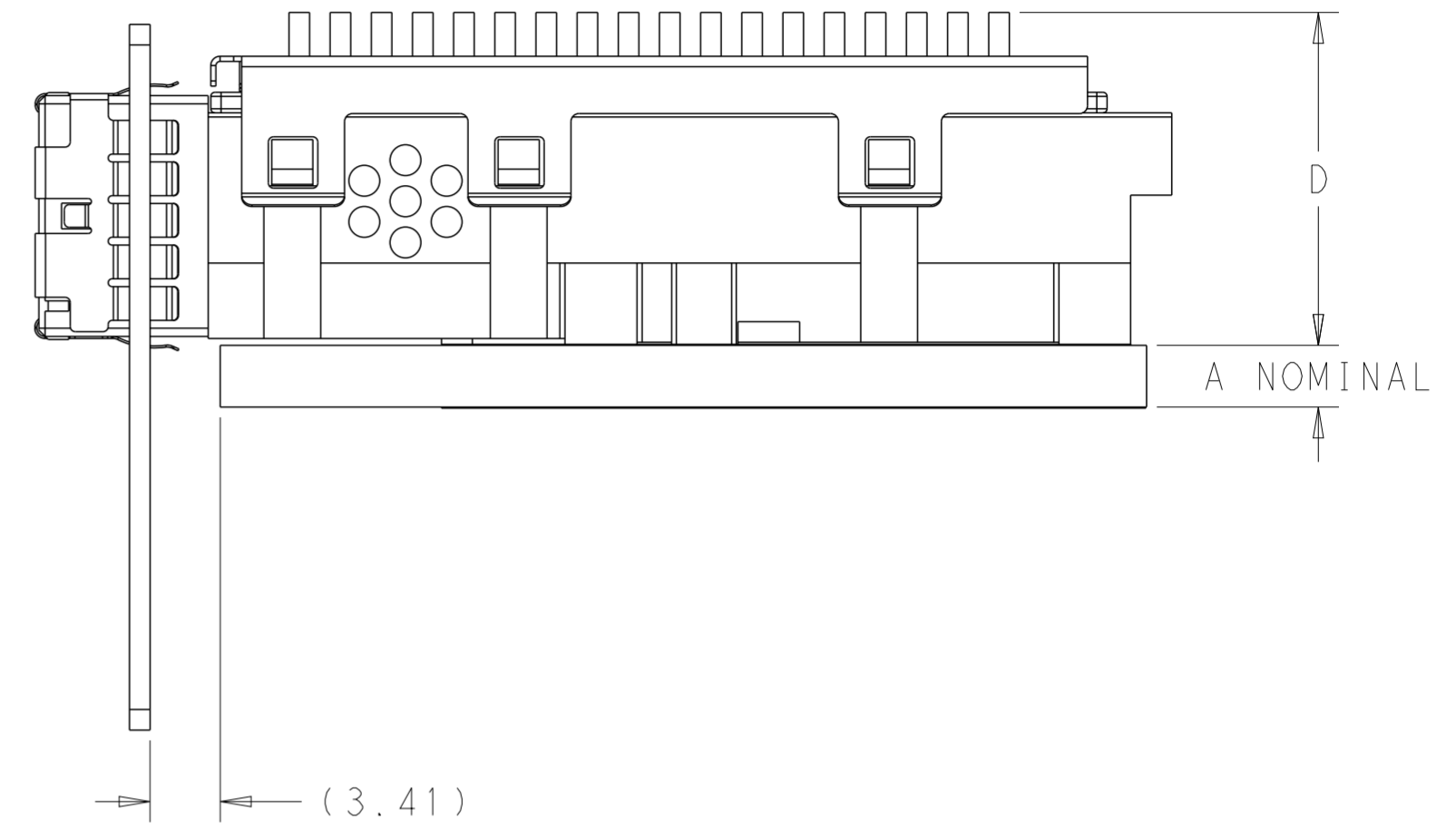
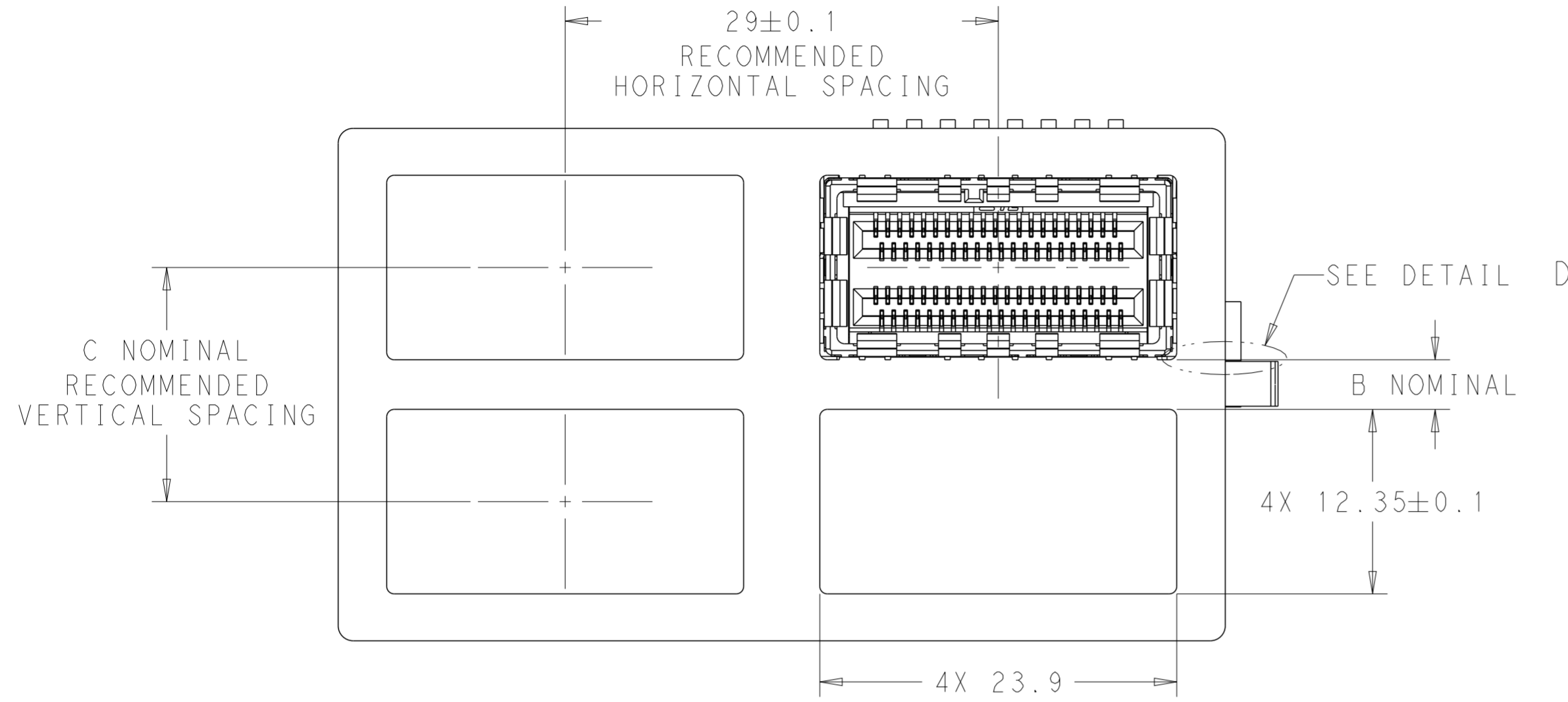


PRELIMINARY PART- NOT RELEASED FOR PRODUCTION

THIS DRAWING IS A CONTROLLED DOCUMENT.		DWN B. MATTHEWS 02OCT2013	TE Connectivity	NAME RECEPTACLE KIT WITH HEAT SINK, BELLY-BELLY, STANDARD, 84 POSITION, CXP	
DIMENSIONS: mm		CHK S. BOLASH 02OCT2013		SIZE 108-2426	
TOLERANCES UNLESS OTHERWISE SPECIFIED:		APVD S. BOLASH 02OCT2013		APPLICATION SPEC 114-13283	
0 PLC ± 0.15 1 PLC ± 0.15 2 PLC ± 0.15 3 PLC \pm 4 PLC \pm ANGLES $\pm 1^\circ$ FINISH		PRODUCT SPEC 114-13283		WEIGHT -	RESTRICTED TO -
MATERIAL		CUSTOMER DRAWING	SCALE 5:1	SHEET 2 OF 4	REV 5

THIS DRAWING IS UNPUBLISHED. RELEASED FOR PUBLICATION 20
 © COPYRIGHT 20 BY - ALL RIGHTS RESERVED.

LOC	DIST	REVISIONS					
GP	00	P	LTR	DESCRIPTION	DATE	DWN	APVD
		-		SEE SHEET 1	-	-	-



DETAIL D
SCALE 15:1

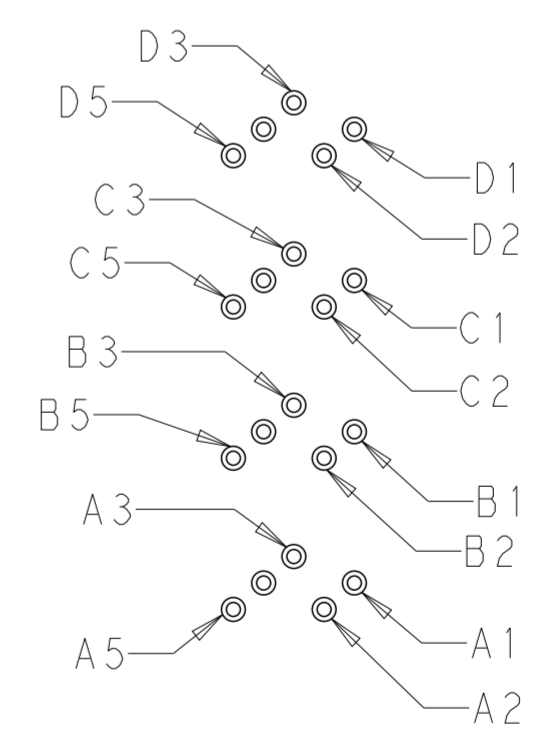
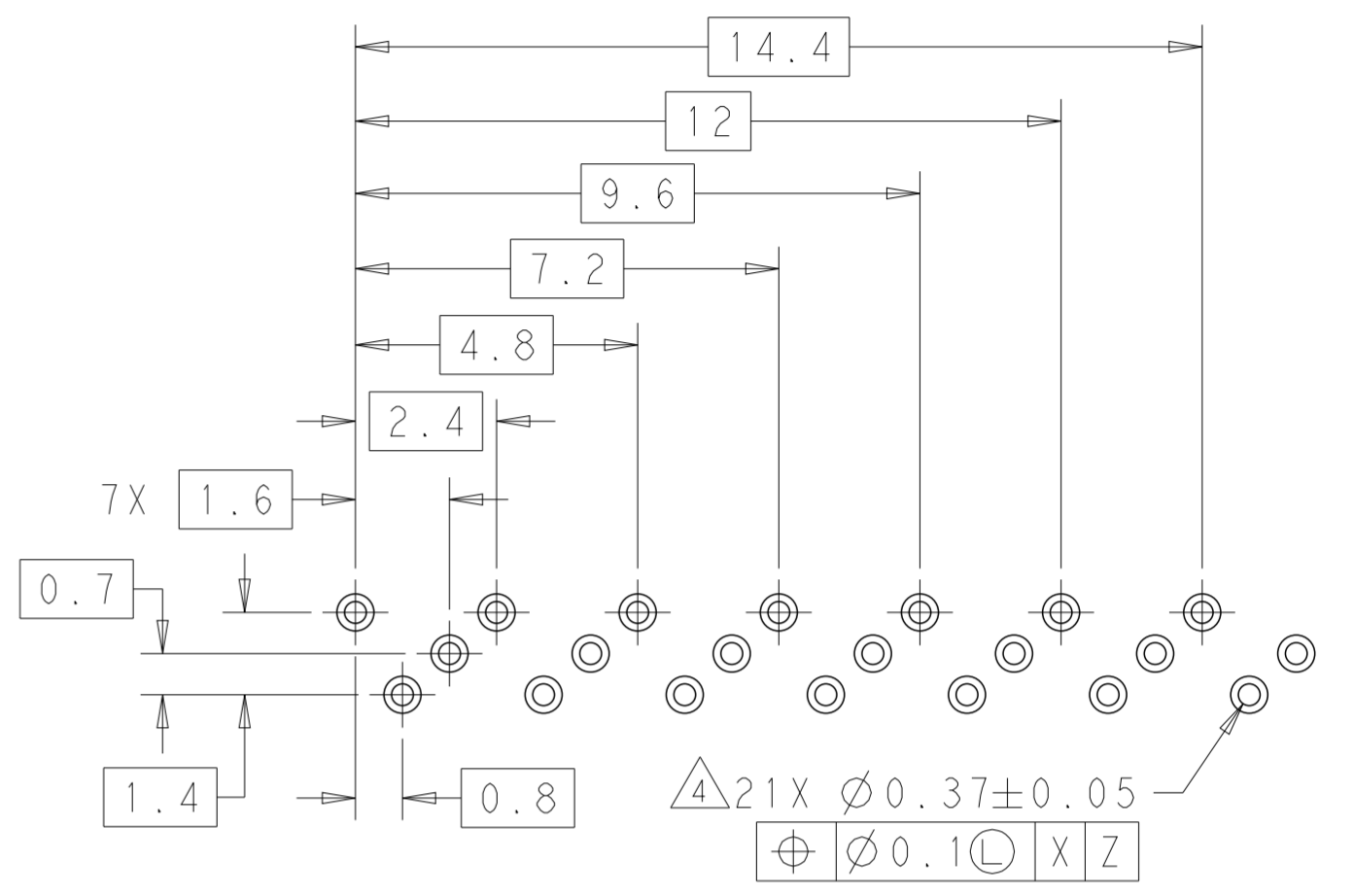
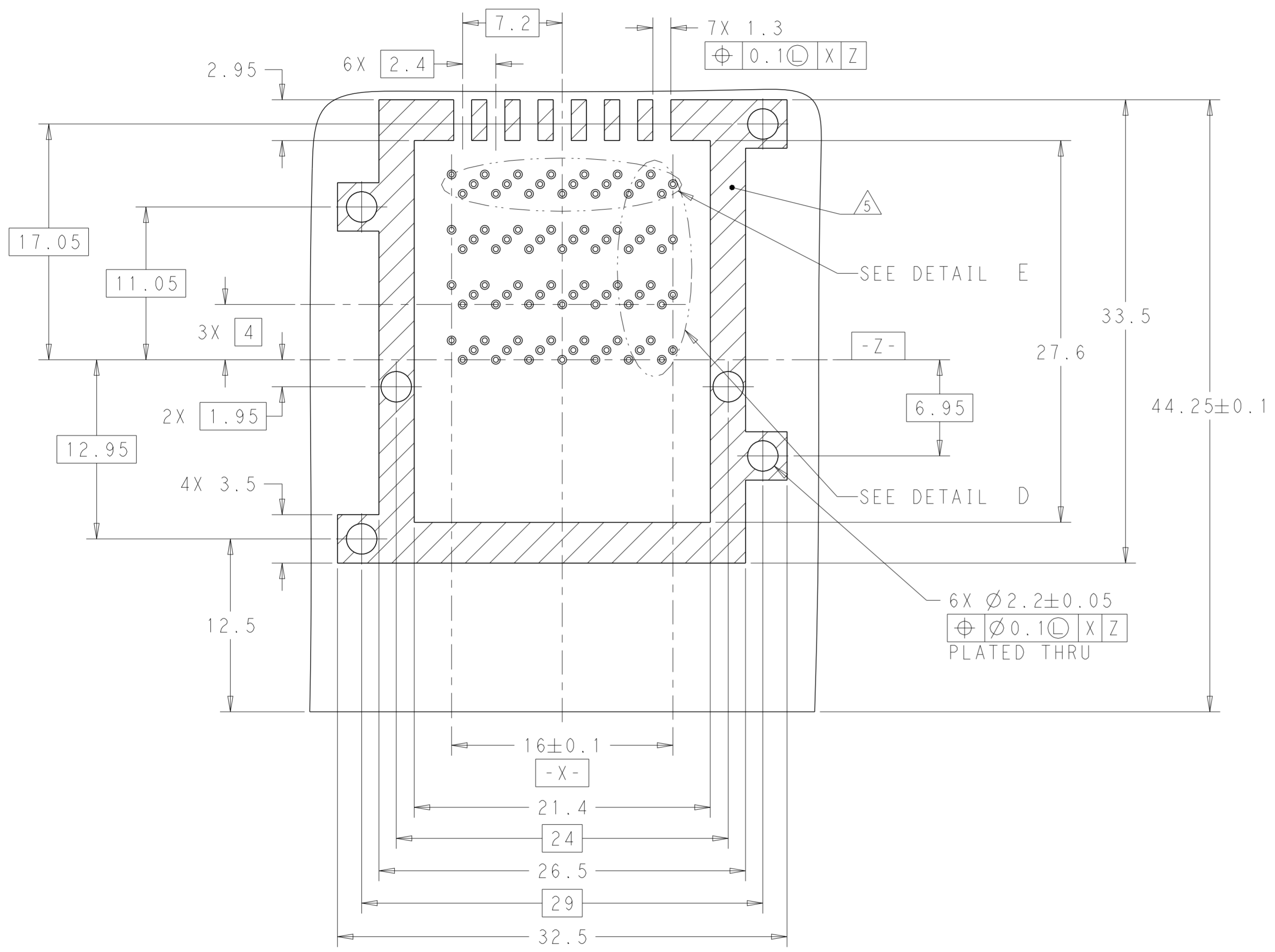
12.57+A	0.22+A	PCB THICKNESS
C	B	A

PRELIMINARY PART- NOT RELEASED FOR PRODUCTION

THIS DRAWING IS A CONTROLLED DOCUMENT. DIMENSIONING AND TOLERANCING PER ASME Y14.5M-2009		DWN B. MATTHEWS 02OCT2013	TE Connectivity	
DIMENSIONS: mm		CHK S. BOLASH 02OCT2013		
TOLERANCES UNLESS OTHERWISE SPECIFIED:		APVD S. BOLASH 02OCT2013	NAME RECEPTACLE KIT WITH HEAT SINK, BELLY-BELLY, STANDARD, 84 POSITION, CXP	
0 PLC ±0.15	1 PLC ±0.15	PRODUCT SPEC 108-2426	SIZE A200779	CAGE CODE C-2274306
2 PLC ±0.15	3 PLC ±	APPLICATION SPEC 114-13283	DRAWING NO	RESTRICTED TO
4 PLC ±	ANGLES ±1°	WEIGHT -	SCALE 1:1	SHEET 3 OF 4
MATERIAL 1	FINISH 2	CUSTOMER DRAWING	REV 5	

THIS DRAWING IS UNPUBLISHED. RELEASED FOR PUBLICATION 20
 © COPYRIGHT 20 BY - ALL RIGHTS RESERVED.

LOC	DIST	REVISIONS					
GP	00	P	LTR	DESCRIPTION	DATE	DWN	APVD
		-		SEE SHEET 1			



RECOMMENDED PCB LAYOUT
 COMPONENT SIDE SHOWN
 SCALE 4:1

DETAIL D
 PIN CALLOUT (TYPICAL)
 SCALE 5:1

PRELIMINARY PART- NOT RELEASED FOR PRODUCTION

THIS DRAWING IS A CONTROLLED DOCUMENT. DIMENSIONING AND TOLERANCING PER ASME Y14.5M-2009		DWN B. MATTHEWS 02OCT2013	TE Connectivity
DIMENSIONS: mm		CHK S. BOLASH 02OCT2013	
TOLERANCES UNLESS OTHERWISE SPECIFIED:		APVD S. BOLASH 02OCT2013	NAME RECEPTACLE KIT WITH HEAT SINK, BELLY-BELLY, STANDARD, 84 POSITION, CXP
0 PLC ±0.15	1 PLC ±0.15	PRODUCT SPEC 108-2426	SIZE A2
2 PLC ±0.15	3 PLC ±	APPLICATION SPEC 114-13283	CAGE CODE 00779
4 PLC ±	ANGLES ±1°	WEIGHT -	DRAWING NO C-2274306
MATERIAL 1	FINISH 2	CUSTOMER DRAWING	RESTRICTED TO -
SCALE 1:1			SHEET 4 OF 4
			REV 5