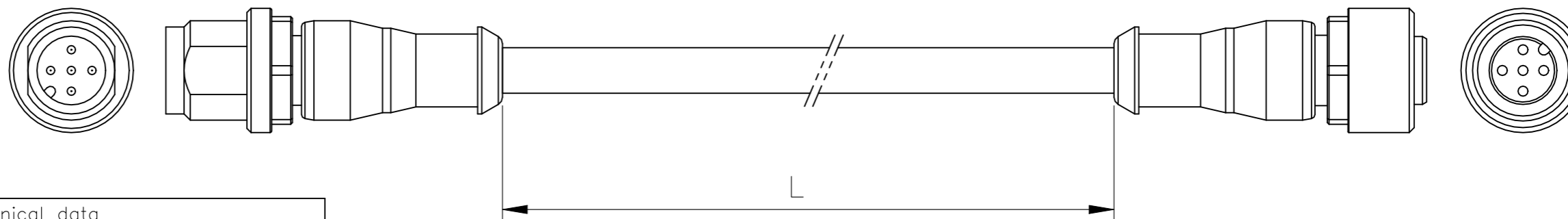


REVISIONS

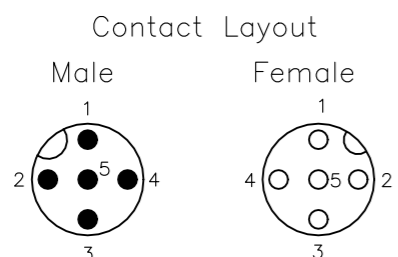
P	LTR	DESCRIPTION	DATE	DWN	APVD
	C3	ECR-22-157330	22SEP2023	MAR	B.P

NOTES:
 Tolerances cable lengths:
 0m to 0.5m +30mm
 0.5m to 1.0m +50mm
 1.0m to 3.0m +100mm
 >3.0m +1.5%

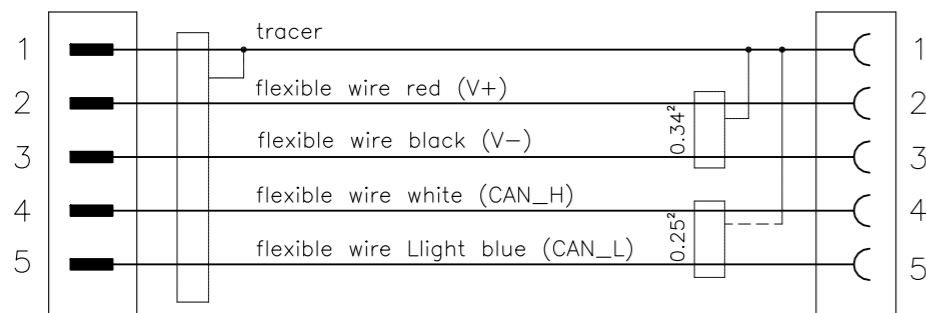


Mechanical data	
Housing:	M12 female straight, black
Screw:	M12x1 zinc pressure die casting surface Ni
Connection:	pluggable screw locking A/F 13 recommended breakaway torque 0.6Nm
Temp. range:	-25°C to +85°C (for connector)
Protection:	IP67

Electrical data	
Nominal voltage:	max. 60V AC/DC (UL rating 30V AC/DC)
Rated current:	max. 4A per contact
Rated impuls voltage:	1.5kV
Pollution degree:	3
Material group:	Categorie I according to IEC 60664-1
Fieldbus:	CANopen / DeviceNet



Schematic diagram



ITEM	TE PN	DESCRIPTION	MATERIAL	JACKET COLOR	LENGTH "L"
17	1-2289297-7	5x22AWG PUR 18m	PUR	BLACK	18mtr
16	1-2289297-6	5x22AWG PUR 75m			75mtr
15	1-2289297-5	5x22AWG PUR 60m			60mtr
14	1-2289297-4	5x22AWG PUR 45m			45mtr
13	1-2289297-3	5x22AWG PUR 35m			35mtr
12	1-2289297-2	5x22AWG PUR 25m			25mtr
11	1-2289297-1	5x22AWG PUR 20m			20mtr
10	1-2289297-0	5x22AWG PUR 15.2m			15.2mtr
9	2289297-9	5x22AWG PUR 13m			13mtr
8	2289297-8	5x22AWG PUR 12m			12mtr
7	2289297-7	5x22AWG PUR 10.2m			10.2mtr
6	2289297-6	5x22AWG PUR 9m			9mtr
5	2289297-5	5x22AWG PUR 7.7m			7.7mtr
4	2289297-4	5x22AWG PUR 6.2m			6.2mtr
3	2289297-3	5x22AWG PUR 4.7m			4.7mtr
2	2289297-2	5x22AWG PUR 3.2m			3.2mtr
1	2289297-1	5x22AWG PUR 1.5m			1.5mtr

THIS DRAWING IS A CONTROLLED DOCUMENT.

DWN: 22DEC2014 SATHISH KUMAR G
 CHK: 22DEC2014 B.VELDHOVEN
 APVD: 22DEC2014 A.VAN ZANDVOORT

NAME: M12 STRGT PLUG TO M12 STRGT SOCKET AA

PRODUCT SPEC: 108-19483
 APPLICATION SPEC: 114-32127

WEIGHT: 0

CUSTOMER DRAWING

SCALE: NTS SHEET: 1 OF 2 REV: C3

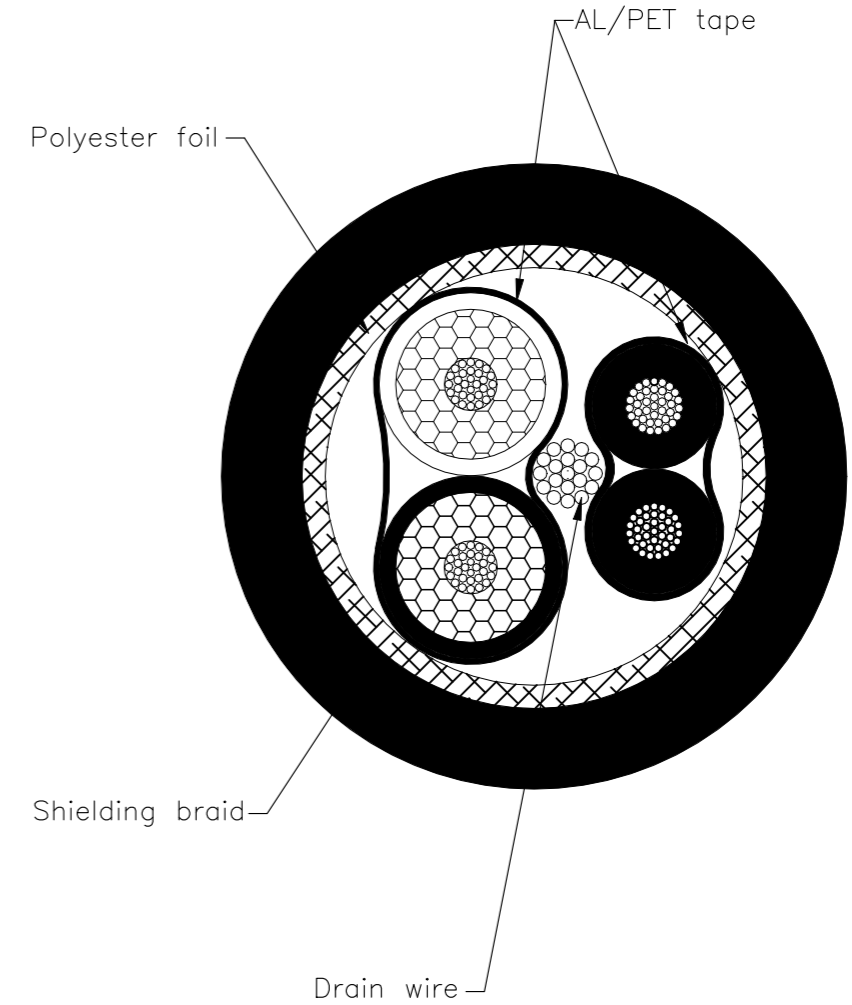
NOTES:


Tolerances cable lengths:
 0m to 0.5m +30mm
 0.5m to 1.0m +50mm
 1.0m to 3.0m +100mm
 >3.0m +1.5%

P	LTR	DESCRIPTION	DATE	DWN	APVD
-	-	SEE SHEET 1	-	-	-

CABLE DATA SHEET

Cable diameter	2x0.25+ 2x0.34mm ²	6.9mm±5%
Conductor colors	DATA PAIR: BLUE, WHITE 0.25mm ² ; POWER PAIR: BLACK, RED 0.34mm ²	
Conductor construction	0.25: tinned copper wire 22/19AWG, paired in AL/PET tape 0.34mm ² : tinned copper wire 24/19AWG, paired in AL/PET tape	
Conductor isolation DIN VDE 0207-7	0.25mm ² : solid polyethylene outer dia 2.10mm ±5% 0.34mm ² : foam skin polyethylene outer dia 1.55mm ±5%	
Banding	Polyester foil, tinned copper wires (coverage min. 65%), drain wire 24/19AWG	
Outer jacket	Halogen free PUR, color: Violet	
Resistance	Good oil, petrol and chemical resistance, UV resistance compliant UL1581	
Electrical data Nominal voltage Dielectric strength	300v max operating voltage cond/cond, cond/shield: 1.5kVac/1min	
Temperature range	-40°C to +80°C Fixed -30°C to +70°C Flexible	
Drag chain data	Translation speed: < 3.0m/s; acceleration: < 3.0m/s (proper installation) Bending radius:6x outer dia (static); 12x outer dia (axial drag chain)	
Drag chain data Torsion range	12x outer diameter, max. 5 million cycles Not recommended for torsion	
Permission	UL (AWM style 20233), CSA	
Manufacturer & type	CEAM 0502688	



THIS DRAWING IS A CONTROLLED DOCUMENT.		DWN 22DEC2014 SATHISH KUMAR G	 TE Connectivity Ltd.	
DIMENSIONS: mm		CHK 22DEC2014 B.VELDHOVEN		
TOLERANCES UNLESS OTHERWISE SPECIFIED:		APVD 22DEC2014 A.VAN ZANDVOORT	NAME M12 STRGT PLUG TO M12 STRGT SOCKET AA	
0 PLC ± -		PRODUCT SPEC 108-19483	-	
1 PLC ± -		APPLICATION SPEC 114-32127	-	
2 PLC ± -		WEIGHT -	SIZE A3	CAGE CODE 00779
3 PLC ± -		MATERIAL -	DRAWING NO C-2289297	
4 PLC ± -			RESTRICTED TO -	
ANGLES ± -		SCALE NTS		SHEET 2 OF 2
FINISH -		CUSTOMER DRAWING		REV C3