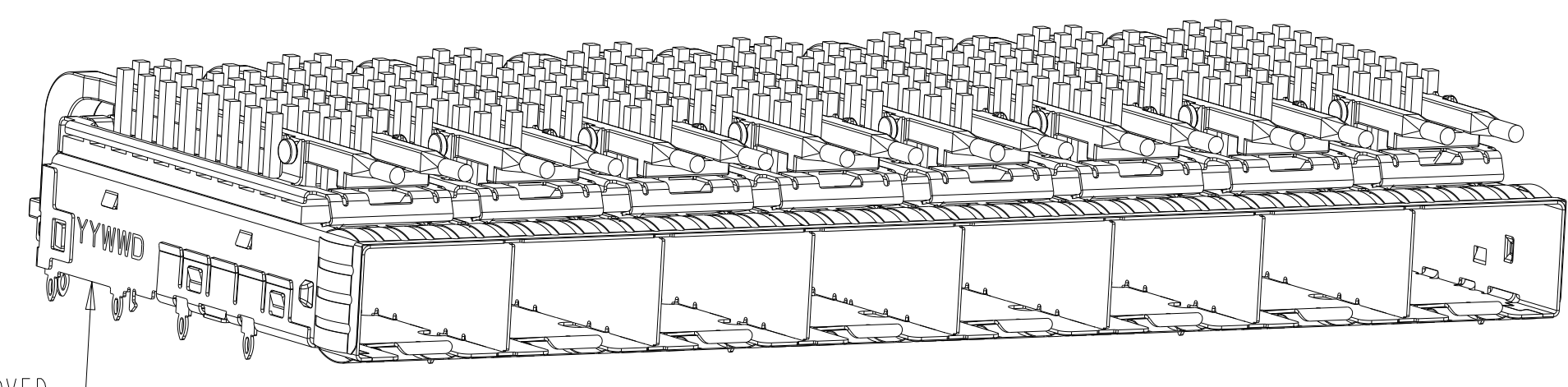
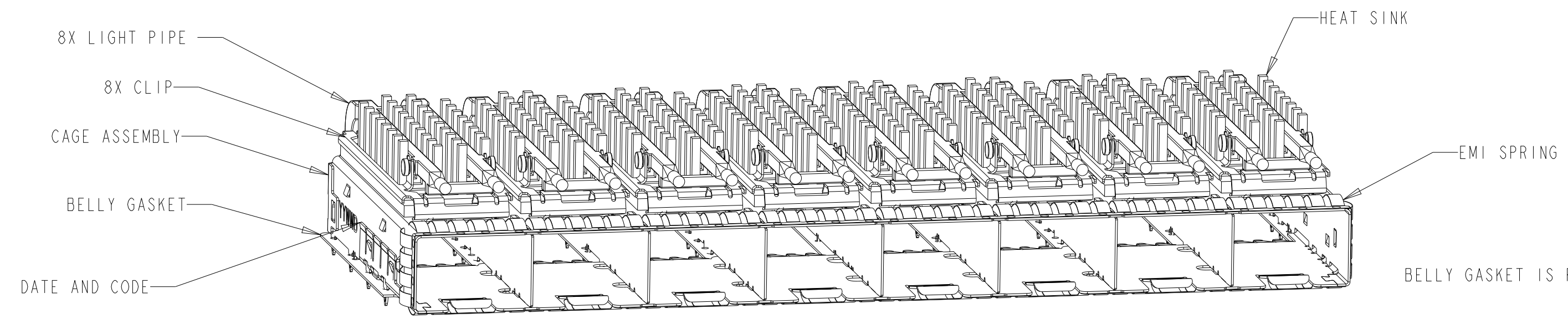


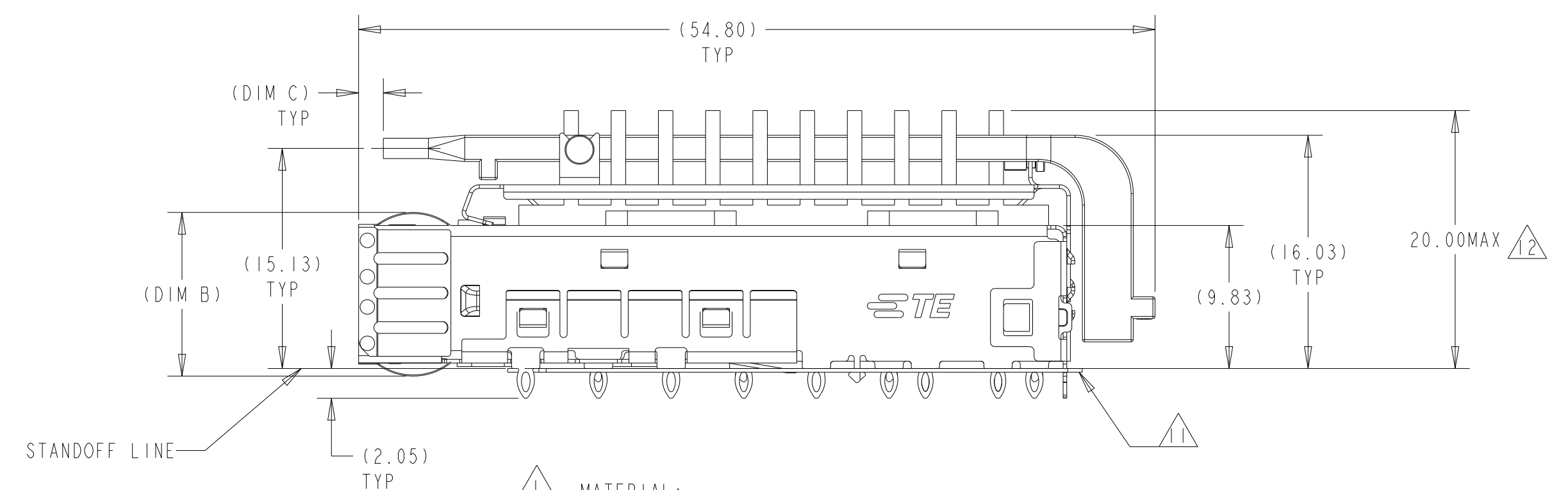
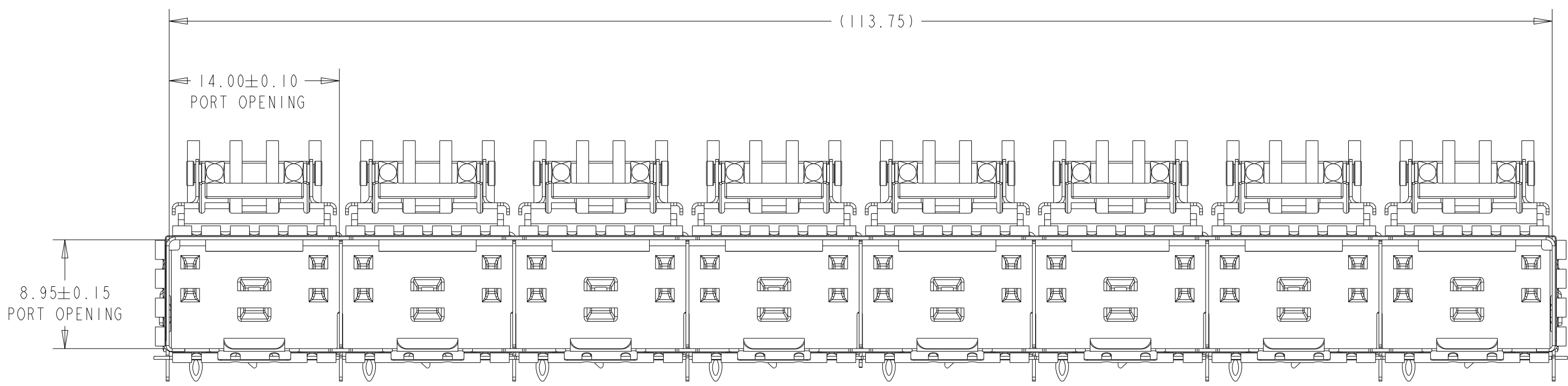
| LOC | DIST | REVISIONS | | | | | |
|-----|------|-----------|-----|--------------------------|-----------|-----|------|
| GP | 00 | P | LYN | DESCRIPTION | DATE | DWN | APVD |
| | | B3 | | REVISE PER ECN-23-234587 | 16OCT2023 | KH | SZ |



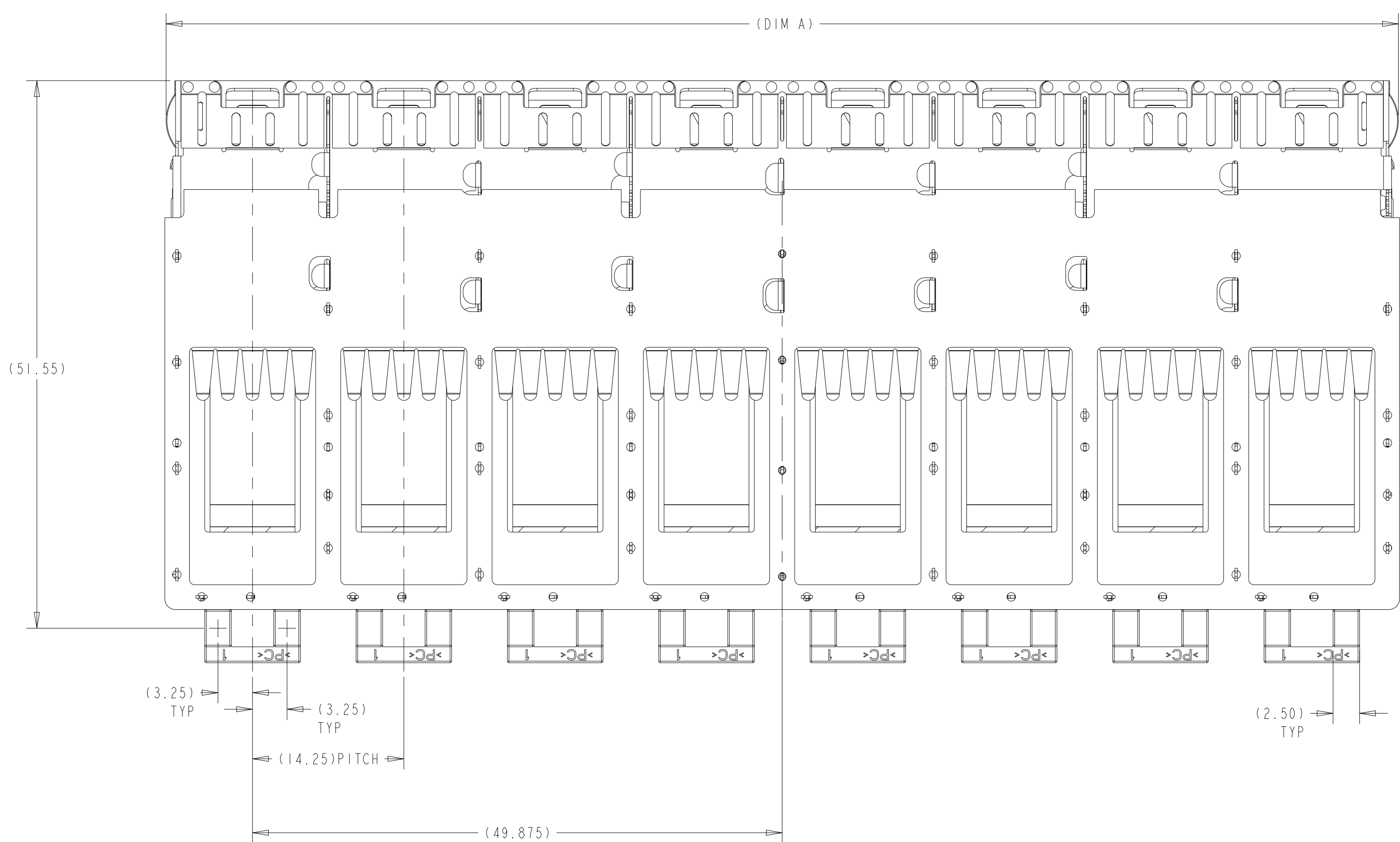
SCALE 2:1

1-2294408-1, DIMENSIONS SAME AS 2294408-1
 SCALE 2:1

2294408-1
 SCALE 3:1



- 1 MATERIAL:
 CAGE ASSEMBLY: NICKEL SILVER ALLOY, (0.25mm)
 PCB GASKET: RF ABSORBER
 EMI SPRINGS: PHOSPHOR BRONZE
 LIGHT PIPE&HEATSINK CLIP: STAINLESS STEEL
 LIGHT PIPE: POLYCARBONATE, CLEAR
 HEATSINK: ALUMINUM
- 2 MINIMUM PC BOARD THICKNESS:
 SINGLE SIDE = 1.45mm
 BELLY TO BELLY = 2.25mm
- 3 PADS AND VIAS CHASSIS GROUND
- 4 DATUM AND BASIC DIMENSION ESTABLISHED BY CUSTOMER
- 5. MATES WITH SFP MSA COMPLIANT TRANSCEIVERS
- 6. INTERPRETATION OF DATUM REFERENCE FRAME IN ACCORDANCE WITH SECT 4.4.1.1 OF ASME Y14.5M-1994
- 7 REFERENCE APPLICATION SPEC. 114-13120, HOLE A, FOR RECOMMENDED DRILL HOLE DIAMETER AND PLATING THICKNESS
- 8 REFERENCE APPLICATION SPEC. 114-13120, HOLE B, FOR RECOMMENDED DRILL HOLE DIAMETER AND PLATING THICKNESS
- 9 HOLE PATTERN REPEATS FOR EACH PORT, SPACING BETWEEN PORTS IS 14.25mm
- 10. PRODUCT COMPLIES WITH SPECIFICATION SFF-8433, IMPROVED PLUGGABLE FORM FACTOR FOR SFP+ GANGED CAGES
- 11 CONTACT STANDOFF WILL PIERCE GASKET WHEN PROPERLY PRESSED INTO PCB.
- 12 DIMENSION APPLIES WITH MODULE INSERTED IN CAGE.
- 13 BELLY GASKET IS REMOVED



| 3.8 | 11.25 | 116.04 | 14.2 MAX HEIGHT, PIN TYPE | DUAL, STANDARD HEIGHT&LENGTH | 2-2294408-2 |
|-------|-------|--------|---------------------------|--------------------------------------|-------------|
| 3.8 | 11.25 | 116.04 | 20.0 MAX HEIGHT, PIN TYPE | DUAL, STANDARD HEIGHT&LENGTH | 2-2294408-1 |
| - | 10.85 | 115.64 | 14.2 MAX HEIGHT, PIN TYPE | NA | 1-2294408-2 |
| 1.7 | 10.85 | 115.64 | 20.0 MAX HEIGHT, PIN TYPE | DUAL, STANDARD HEIGHT&LENGTH | 1-2294408-1 |
| 1.7 | 11.25 | 116.04 | 17.0 MAX HEIGHT, PIN TYPE | DUAL, STANDARD HEIGHT&LENGTH | 2294408-5 |
| 1.7 | 11.25 | 116.04 | 17.0 MAX HEIGHT, PIN TYPE | DUAL, STANDARD HEIGHT&LENGTH | 2294408-4 |
| 1.7 | 11.25 | 116.04 | 20.0 MAX HEIGHT, PIN TYPE | DUAL, STANDARD HEIGHT&LENGTH, COATED | 2294408-3 |
| - | 11.25 | 116.04 | 14.2 MAX HEIGHT, PIN TYPE | NA | 2294408-2 |
| 1.7 | 11.25 | 116.04 | 20.0 MAX HEIGHT, PIN TYPE | DUAL, STANDARD HEIGHT&LENGTH | 2294408-1 |
| DIM C | DIM B | DIM A | HEATSINK DESC | LIGHT PIPE DESC | PART NUMBER |

THIS DRAWING IS A CONTROLLED DOCUMENT. DIMENSIONING AND TOLERANCING PER ASME Y14.5M-2009. TOLERANCES UNLESS OTHERWISE SPECIFIED:

| DIMENSIONS: | TOLERANCES UNLESS OTHERWISE SPECIFIED: |
|-------------|--|
| mm | 0 PLC ±0.25 |
| | 1 PLC ±0.25 |
| | 2 PLC ±0.25 |
| | 3 PLC ±0.25 |
| | 4 PLC ±0.25 |
| ANGLES | ±° |
| FINISH | ±μm |

MATERIAL: SEE NOTES

DATE: 24JUL2015
 CHK: SEAN HAN
 APVD: SEAN HAN
 PRODUCT SPEC: -
 APPLICATION SPEC: -

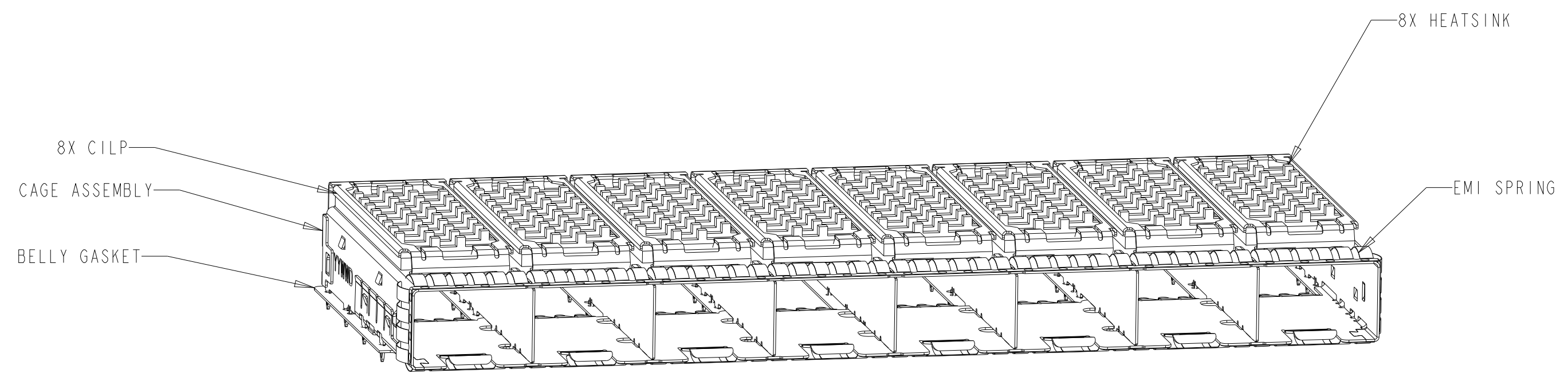
WEIGHT: -
 CUSTOMER DRAWING

OWN: REVIN
 CHK: SEAN HAN
 APVD: SEAN HAN
 NAME: CAGE ASSEMBLY, PRESS-FIT, EMI SPRINGS, 1X8, zSFP+

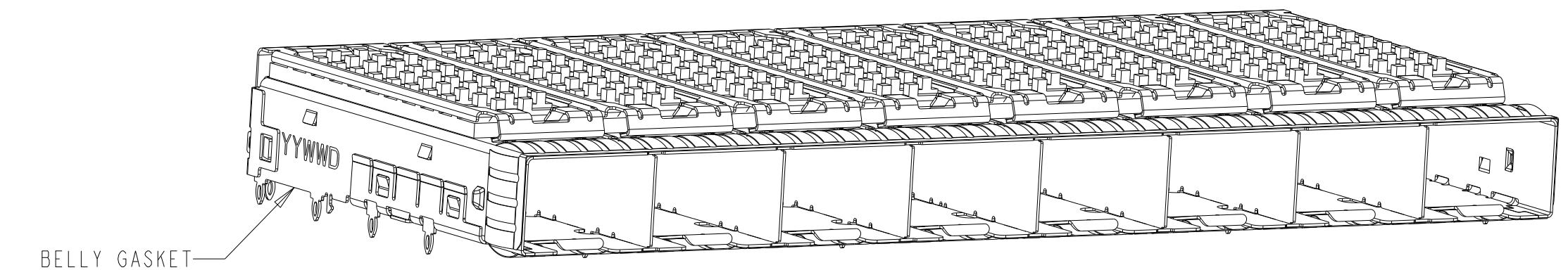
SIZE: A1
 CAGE CODE: 00779
 DRAWING NO: 2294408
 SHEET 1 OF 6
 REV B3

SCALE: 3:1

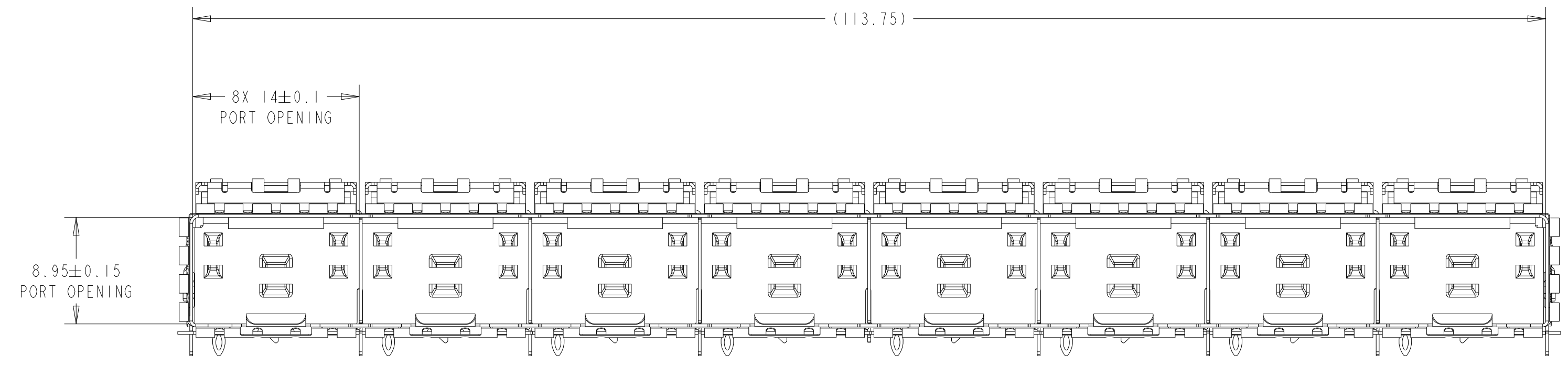
| LOC | | DIST | | REVISIONS | | | |
|-----|-----|-------------|------|-----------|------|--|--|
| P | LYR | DESCRIPTION | DATE | OWN | APVD | | |
| - | - | SEE SHEET 1 | - | - | - | | |
| | | | | | | | |
| | | | | | | | |



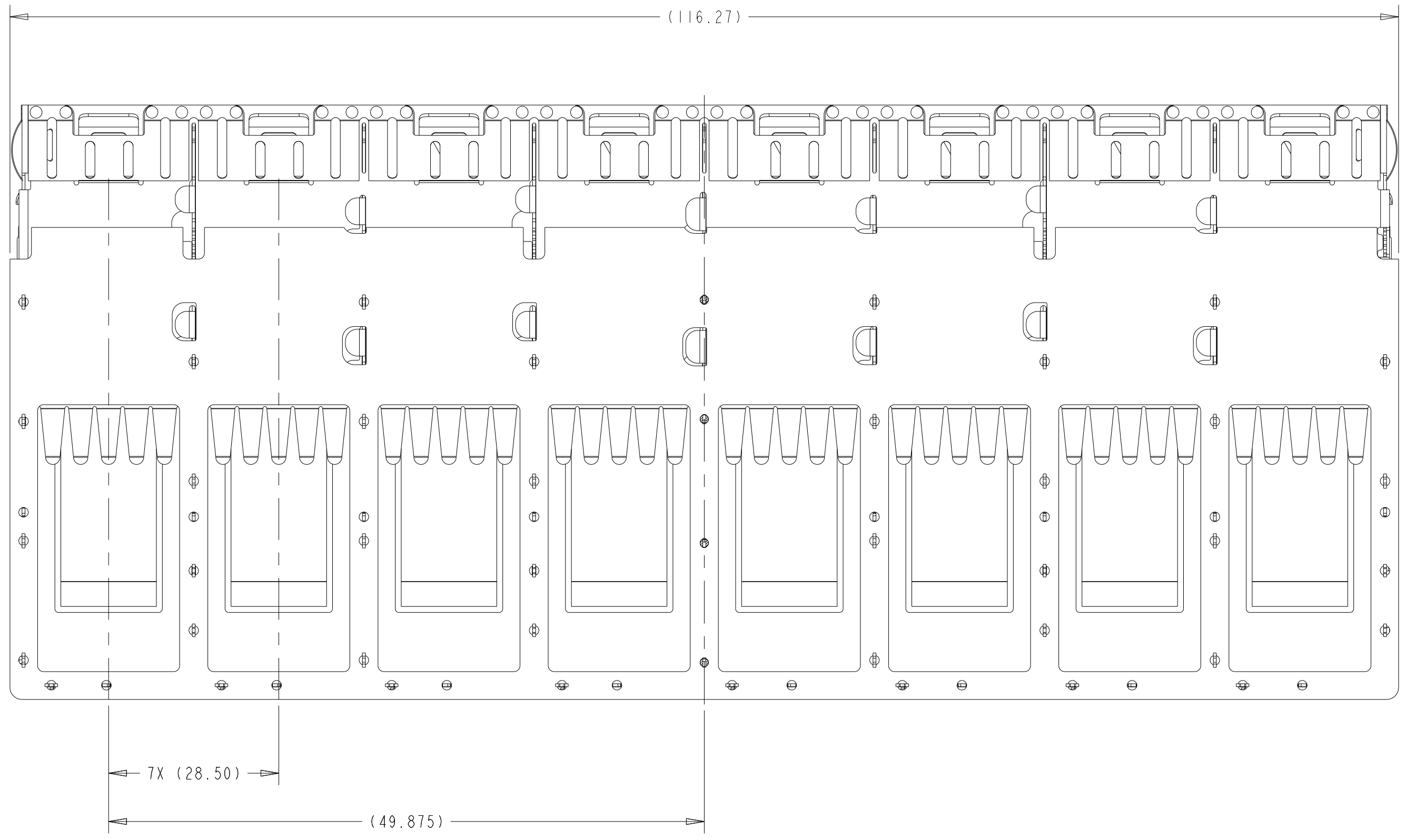
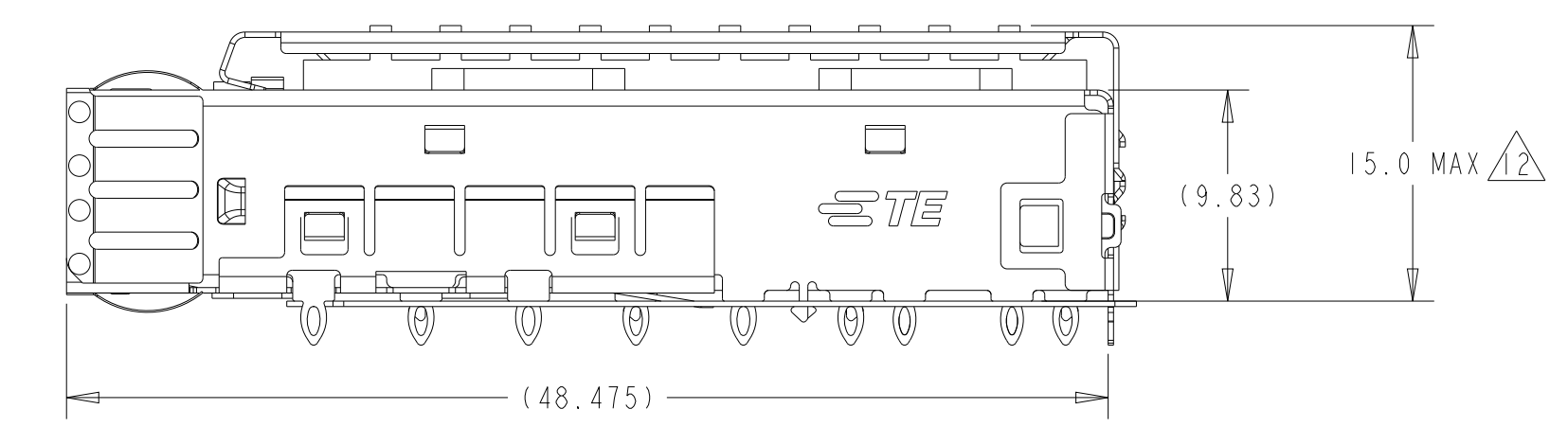
2294408-2
SCALE 2:1



1-2294408-2, DIMENSIONS SAME AS 2294408-2
SCALE 2:1

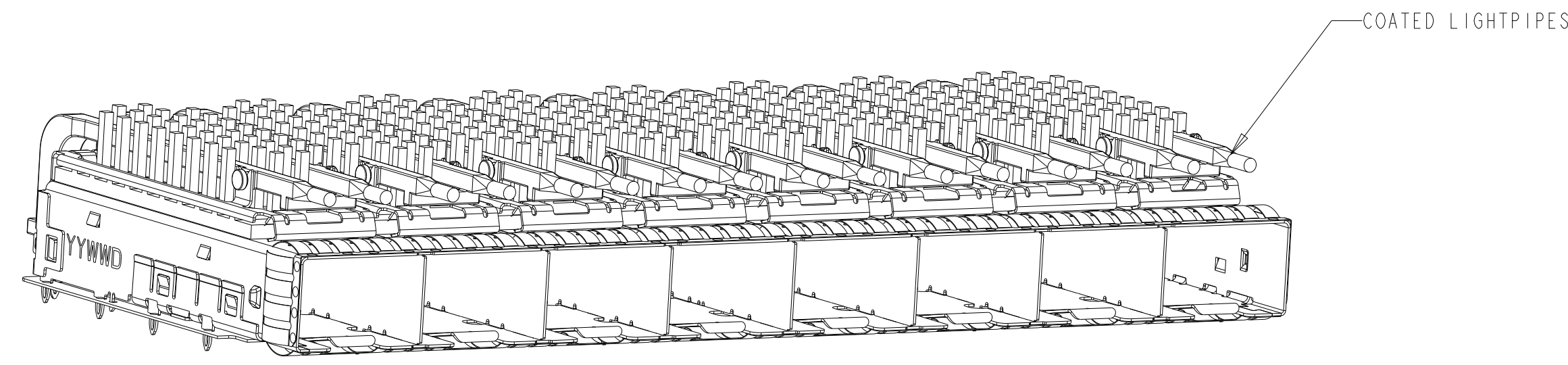


SCALE 3:1

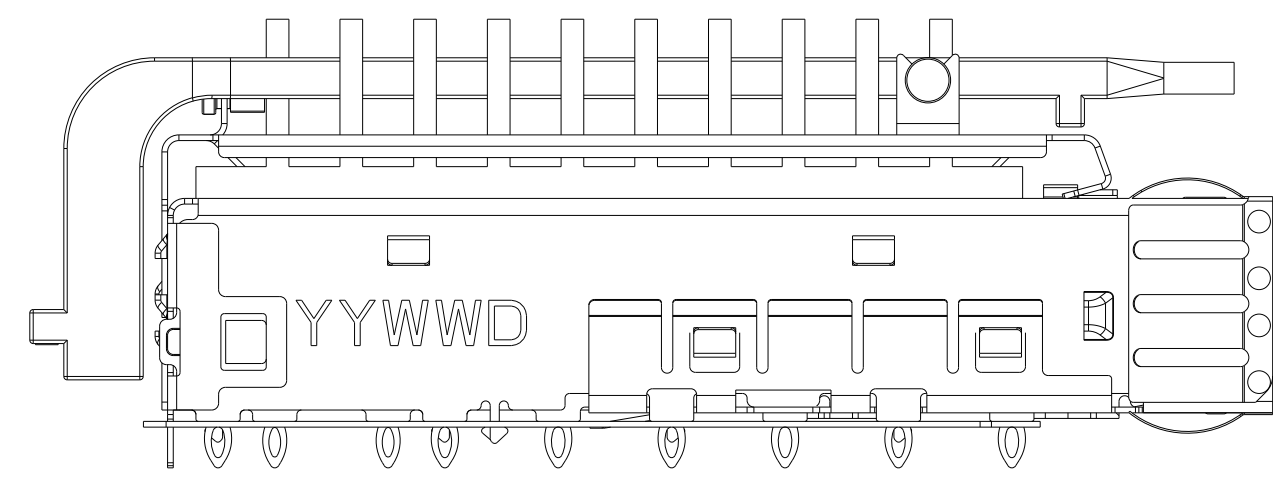


| | | | |
|--|--|--------------------------|---|
| THIS DRAWING IS A CONTROLLED DOCUMENT. DIMENSIONING AND TOLERANCING PER ASME Y14.5M-2009 | | OWN: REVIN 24JUL2015 | TE Connectivity |
| DIMENSIONS: mm | | CHK: SEAN HAN 24JUL2015 | |
| TOLERANCES UNLESS OTHERWISE SPECIFIED: | | APVD: SEAN HAN 24JUL2015 | NAME: CAGE ASSEMBLY, PRESS-FIT, EMI SPRINGS, 1X8, zSFP+ |
| 0 PLC ±0.25 1 PLC ±0.25 2 PLC ±0.25 3 PLC ±0.25 4 PLC ±0.25 ANGLES ±° FINISH ±μm | | PRODUCT SPEC: - | SIZE: A1 |
| MATERIAL: SEE NOTES | | APPLICATION SPEC: - | CAGE CODE: 00779 |
| | | WEIGHT: - | DRAWING NO: C=2294408 |
| | | CUSTOMER DRAWING | SCALE: 3:1 SHEET 2 OF 6 REV B3 |

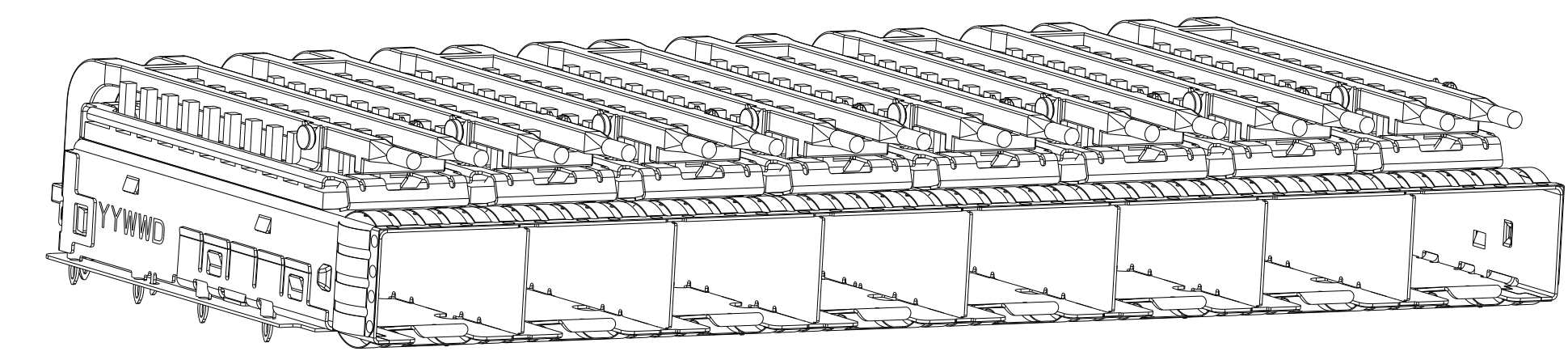
| LOC | | DIST | | REVISIONS | | | |
|-----|-----|-------------|-----|-----------|---|---|--|
| P | LYN | DATE | DMN | APVD | | | |
| - | | SEE SHEET 1 | - | - | - | - | |
| | | | | | | | |
| | | | | | | | |



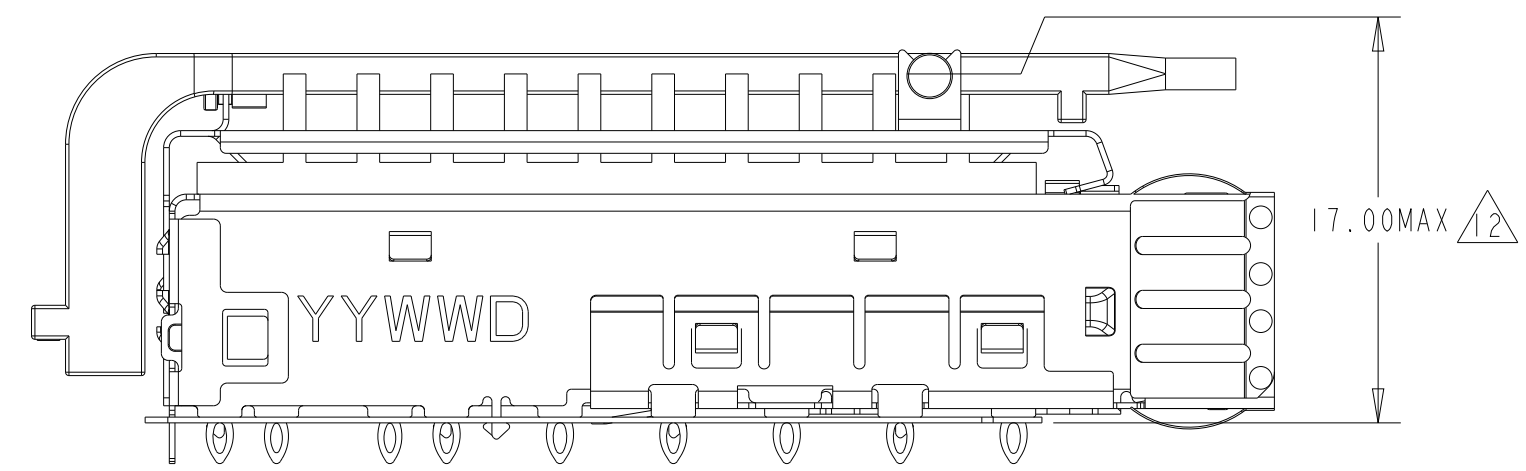
2294408-3
SCALE 2:1



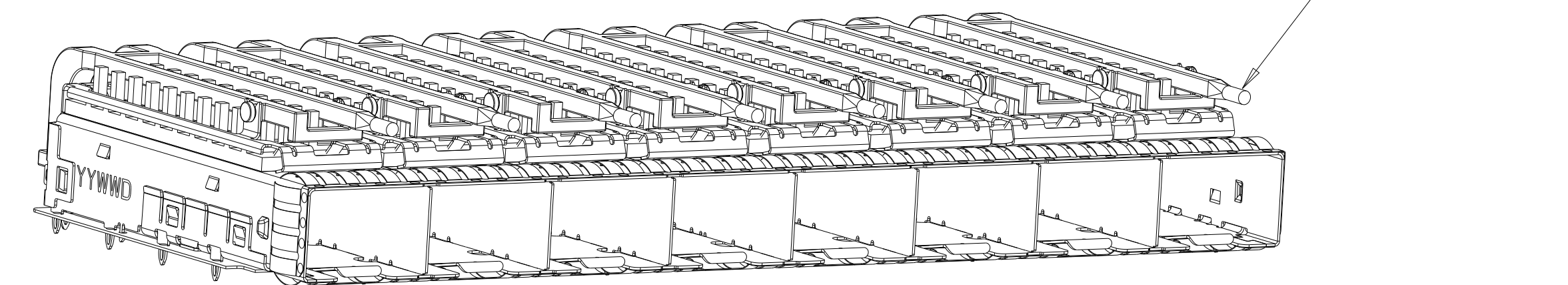
2294408-3
UNMARKED DIMENSIONS SAME AS 2394048-1



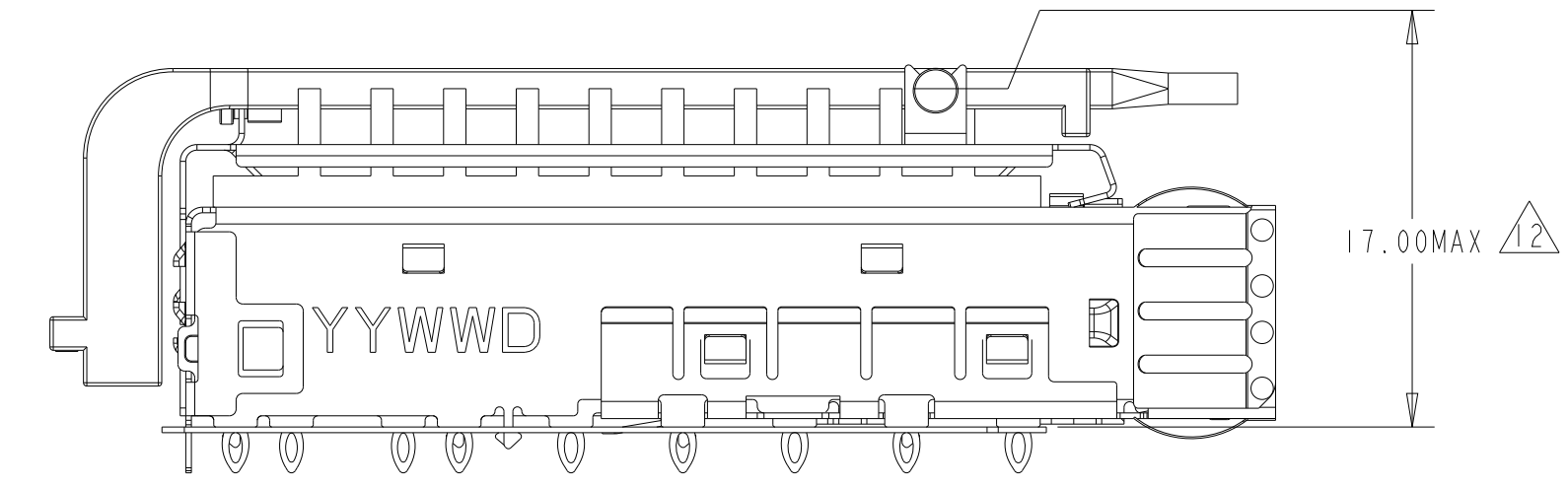
2294408-4
SCALE 2:1



2294408-4
UNMARKED DIMENSIONS SAME AS 2394048-1



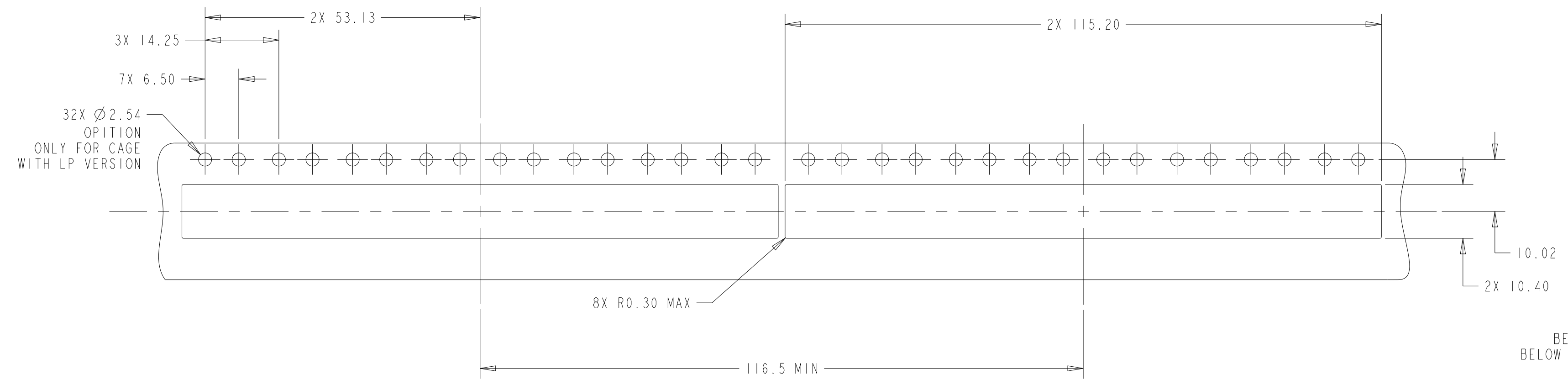
2294408-5
SCALE 2:1



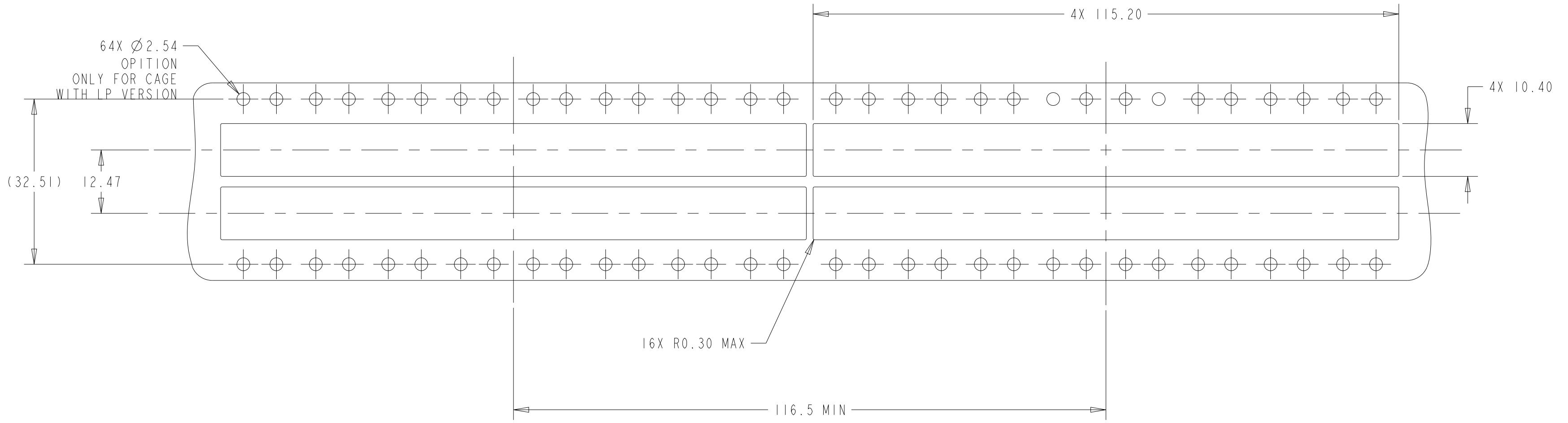
2294408-5
UNMARKED DIMENSIONS SAME AS 2394048-1

| | | | |
|--|--|--------------------------|---|
| THIS DRAWING IS A CONTROLLED DOCUMENT. DIMENSIONING AND TOLERANCING PER ASME Y14.5M-2009 | | OWN: REVIN 24JUL2015 | TE Connectivity |
| DIMENSIONS: mm | | CHK: SEAN HAN 24JUL2015 | |
| TOLERANCES UNLESS OTHERWISE SPECIFIED: | | APVD: SEAN HAN 24JUL2015 | NAME: CAGE ASSEMBLY, PRESS-FIT, EMI SPRINGS, 1X8, zSFP+ |
| 0 PLC ±0.25 1 PLC ±0.25 2 PLC ±0.25 3 PLC ±0.25 4 PLC ±0.25 ANGLES ±° FINISH ±μm | | PRODUCT SPEC: - | |
| MATERIAL: SEE NOTES | | APPLICATION SPEC: - | RESTRICTED TO: - |
| | | WEIGHT: - | SIZE: A1 |
| | | CUSTOMER DRAWING | CAGE CODE: 00779 |
| | | | DRAWING NO: 2294408 |
| | | | SCALE: 3:1 |
| | | | SHEET: 3 OF 6 |
| | | | REV: B3 |

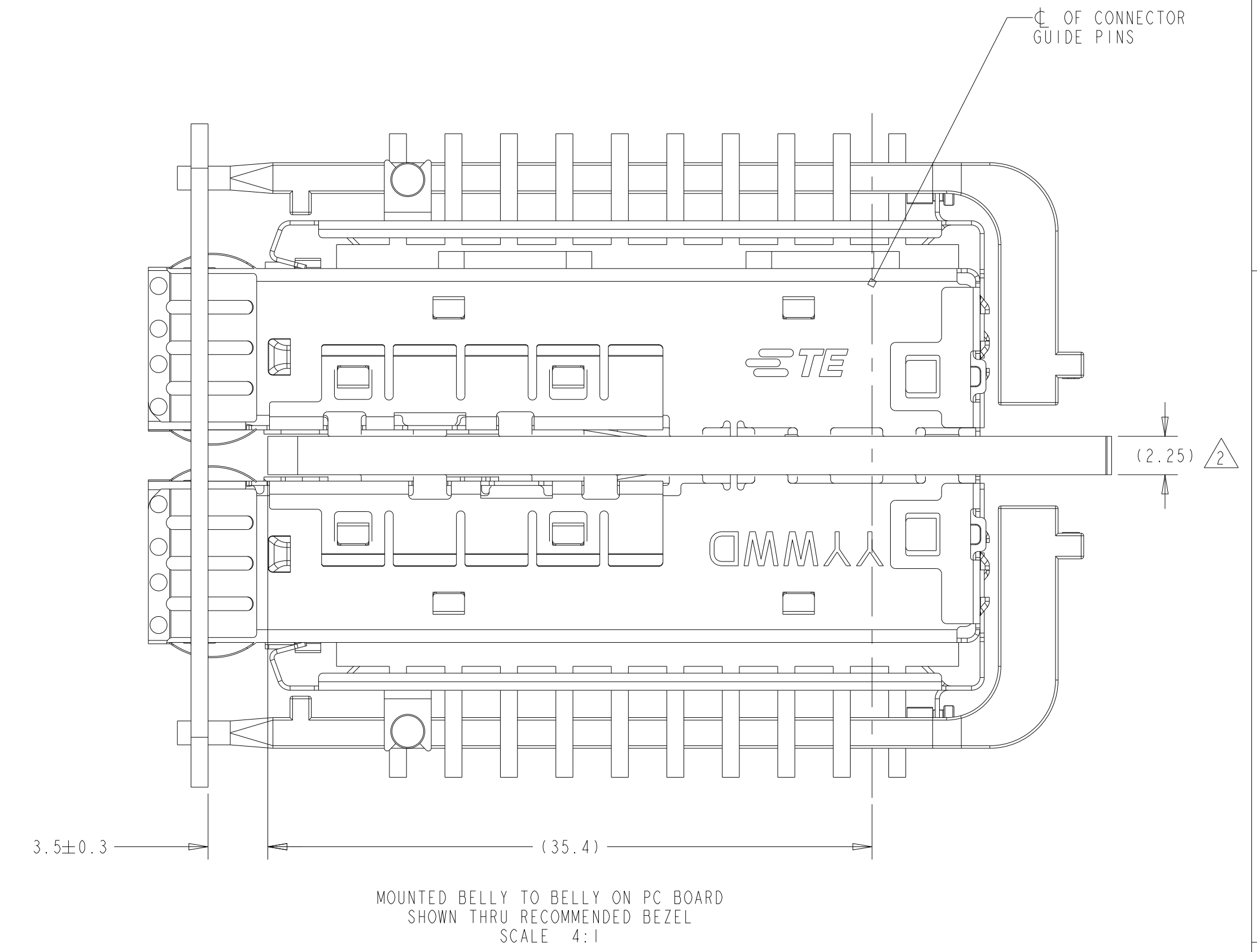
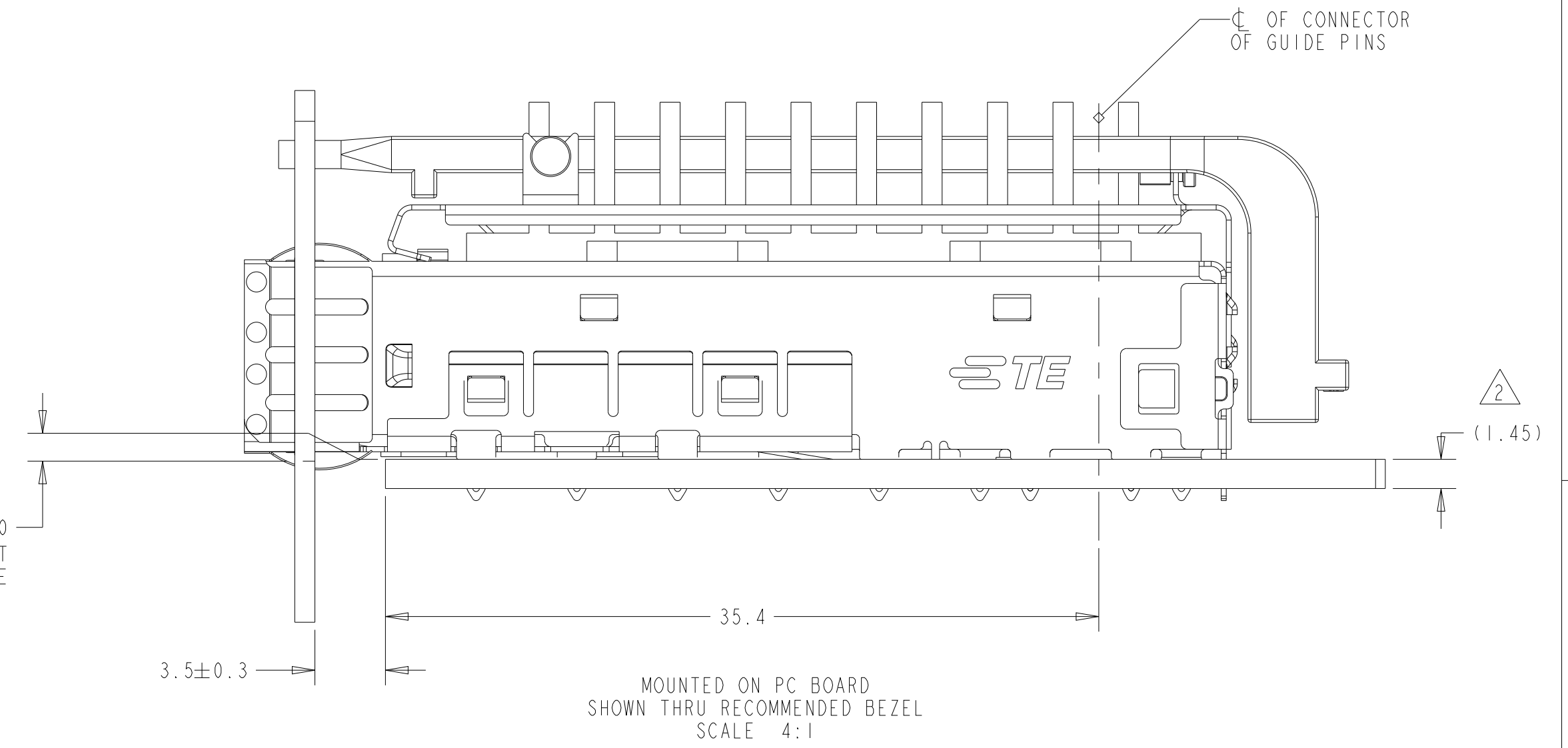
| LOC | DIST | REVISIONS | | | | | |
|-----|------|-----------|-----|-------------|------|-----|------|
| GP | 00 | P | LTN | DESCRIPTION | DATE | OWN | APVD |
| | | - | | SEE SHEET 1 | | | |



RECOMMENDED BEZEL OPENING
 SINGLE SIDED APPLICATIONS
 SCALE 3:2

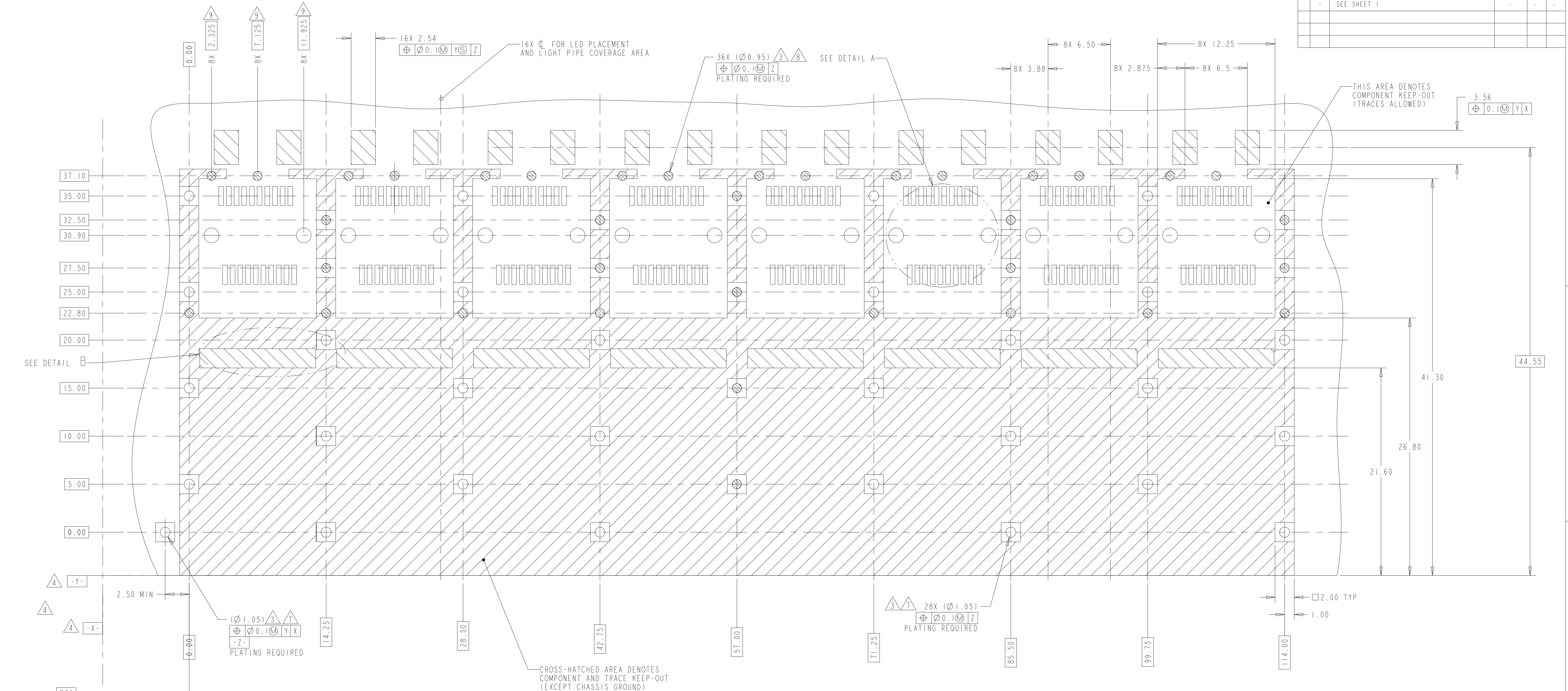


RECOMMENDED BEZEL OPENING
 BELLY TO BELLY APPLICATION
 SCALE 3:2

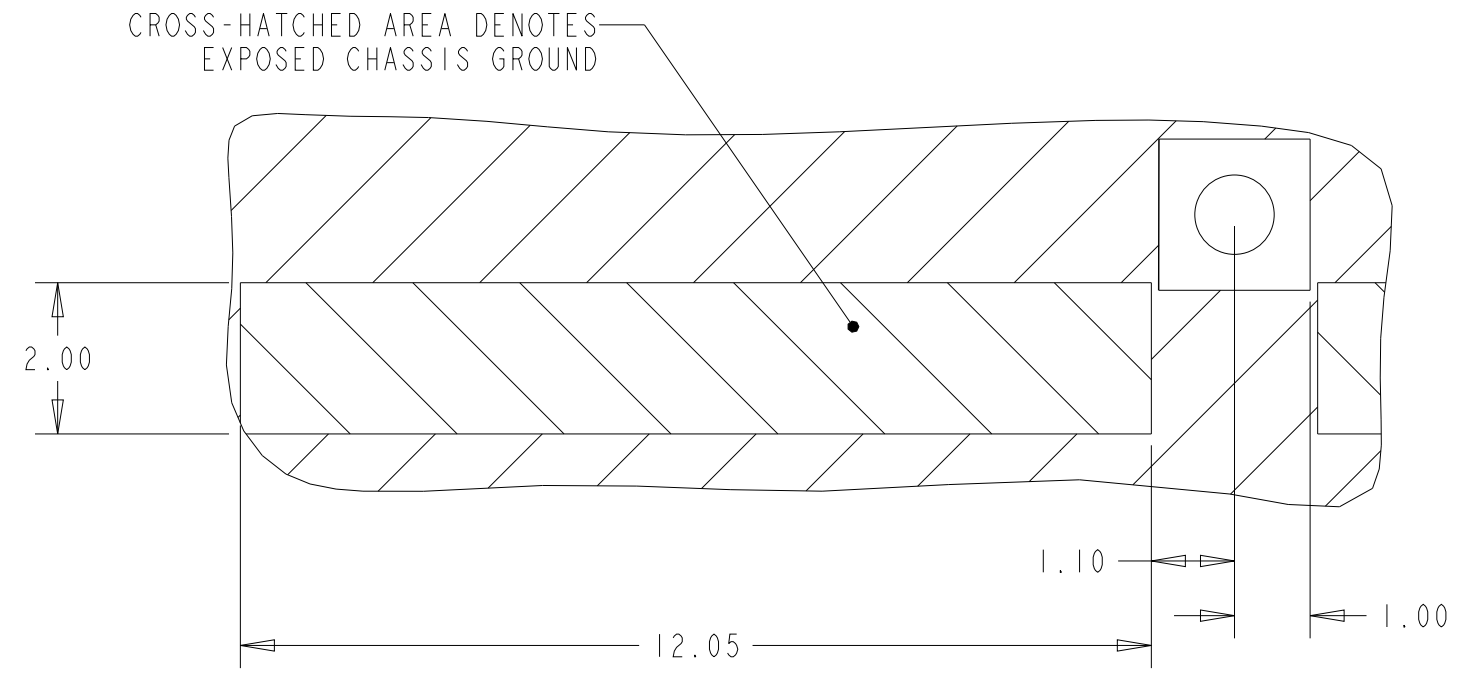


| | | | |
|--|--|--------------------------|---|
| THIS DRAWING IS A CONTROLLED DOCUMENT. DIMENSIONING AND TOLERANCING PER ASME Y14.5M-2009 | | OWN: REVIN 24JUL2015 | TE Connectivity |
| DIMENSIONS: mm | | CHK: SEAN HAN 24JUL2015 | |
| TOLERANCES UNLESS OTHERWISE SPECIFIED: | | APVD: SEAN HAN 24JUL2015 | NAME: CAGE ASSEMBLY, PRESS-FIT, EMI SPRINGS, 1X8, zSFP+ |
| 0 PLC ±0.25 1 PLC ±0.25 2 PLC ±0.25 3 PLC ±0.25 4 PLC ± ANGLES ±° FINISH ± | | PRODUCT SPEC | |
| MATERIAL: SEE NOTES | | APPLICATION SPEC | RESTRICTED TO |
| WEIGHT: - | | SIZE: A1 | CAGE CODE: 00779 |
| CUSTOMER DRAWING | | DRAWING NO: C=2294408 | SCALE: 4:1 |
| | | SHEET: 4 | OF: 6 |
| | | REV: B3 | |

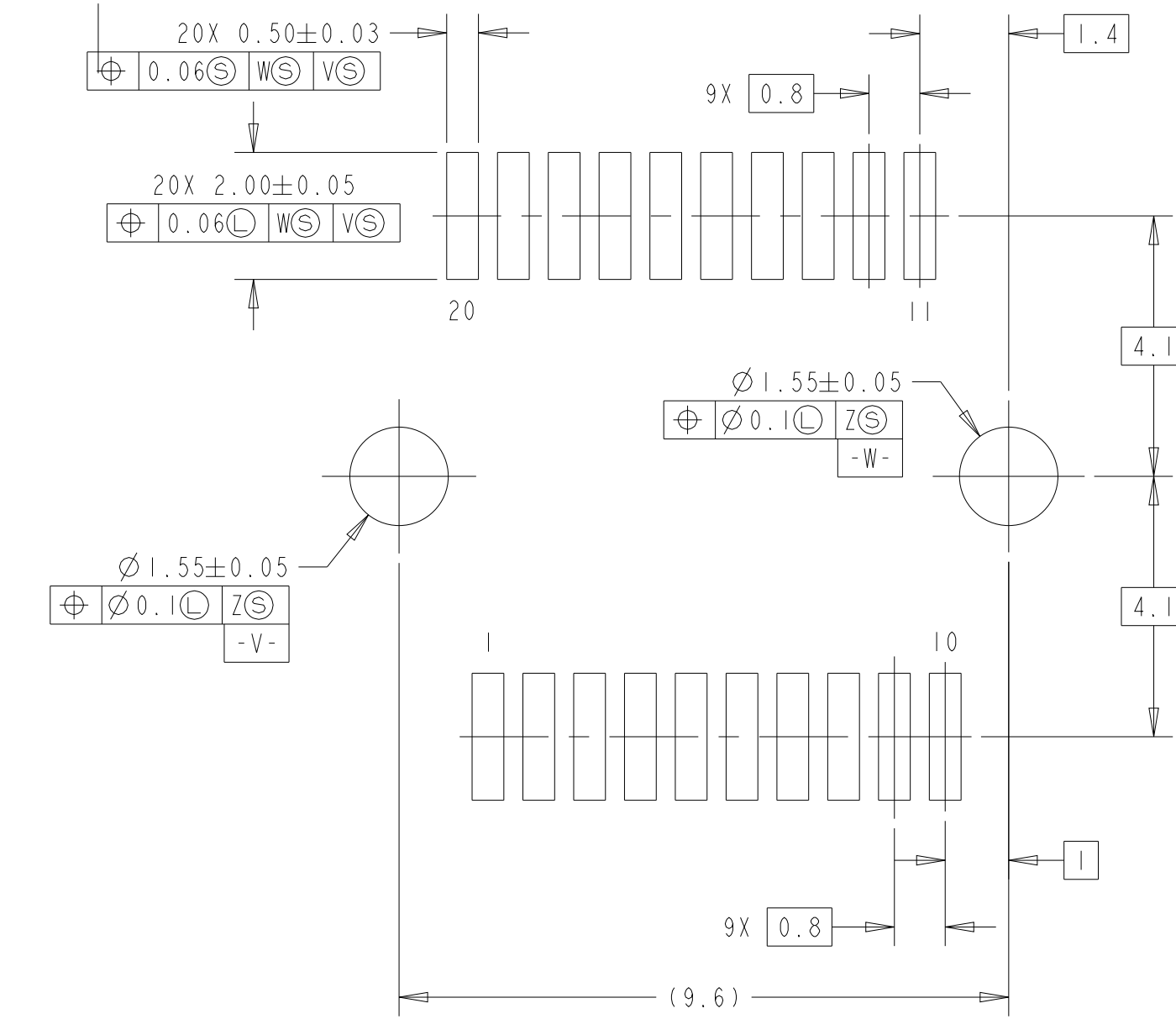
| LOC | DIST | REVISIONS | | | |
|-----|------|-------------|------|----|------|
| GP | 00 | REV | DATE | BY | APPD |
| - | - | SEE SHEET 1 | - | - | - |



RECOMMENDED PCB CONFIGURATION WITH KEEP-OUT AREAS FOR SINGLE SIDED APPLICATION
 SCALE 5:1



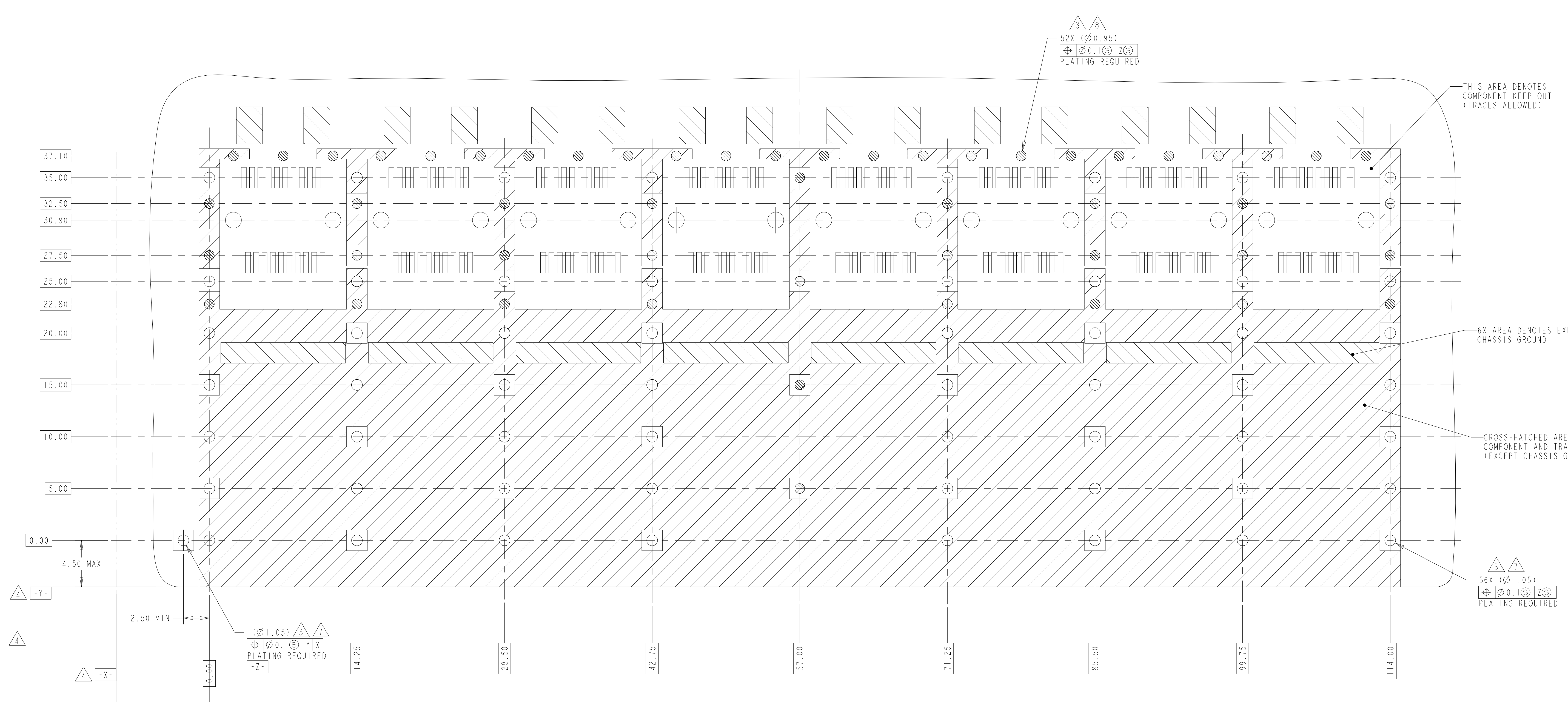
DETAIL B
 6X INDIVIDUALLY
 SCALE 10:1



DETAIL SEE DETAIL A
 6X INDIVIDUALLY
 SCALE 10:1

| | | | |
|--|--|---|----------------------|
| THIS DRAWING IS A CONTROLLED DOCUMENT. DIMENSIONING AND TOLERANCING PER ASME Y14.5M-2009. TOLERANCES UNLESS OTHERWISE SPECIFIED: | | OWN: REVIN 24JUL2015 | TE Connectivity |
| DIMENSIONS: mm | | CHK: SEAN HAN 24JUL2015 | |
| 0 PLC ±0.1 1 PLC ±0.1 2 PLC ±0.08 3 PLC ±0.05 4 PLC ±0.05 ANGLES ±° FINISH ±* | | APPD: SEAN HAN 24JUL2015 | |
| MATERIAL: SEE NOTES | | NAME: CAGE ASSEMBLY, PRESS-FIT, EMI SPRINGS, 1X8, zSFP+ | |
| CUSTOMER DRAWING | | SIZE: A1 | RESTRICTED TO: - |
| SCALE: 4:1 | | DRAWING NO: 00779 | CAGE CODE: C=2294408 |
| SHEET 5 OF 6 | | REV B3 | |

| LOC | DIST | REVISIONS | | | |
|-----|------|-------------|------|-----|------|
| P | LTN | DESCRIPTION | DATE | OWN | APVD |
| - | - | SEE SHEET 1 | - | - | - |
| | | | | | |
| | | | | | |



RECOMMENDED PCB CONFIGURATION
 WITH KEEP-OUT AREAS FOR BELLY TO BELLY APPLICATION
 SAME AS SINGLE SIDED APPLICATION, EXCEPT AS SHOWN
 SCALE 5:1

| | | | |
|--|-------------------|--------------------------|--|
| THIS DRAWING IS A CONTROLLED DOCUMENT. DIMENSIONING AND TOLERANCING PER ASME Y14.5M 2009 | | OWN: REVIN 24JUL2015 | TE Connectivity CAGE ASSEMBLY, PRESS-FIT, EMI SPRINGS, 1X8, zSFP+ |
| DIMENSIONS: mm | | CHK: SEAN HAN 24JUL2015 | |
| TOLERANCES UNLESS OTHERWISE SPECIFIED: | | APVD: SEAN HAN 24JUL2015 | |
| 0 PLC ±0.1 1 PLC ±0.1 2 PLC ±0.08 3 PLC ±0.05 4 PLC ± ANGLES ±1° | | NAME: APPLICATION SPEC | |
| MATERIAL: SEE NOTES | FINISH: SEE NOTES | WEIGHT: - | RESTRICTED TO: - |
| CUSTOMER DRAWING | | SIZE: A1 | SCALE: 4:1 |
| CAGE CODE: 00779 | | DRAWING NO: 2294408 | SHEET 6 OF 6 |
| REV: B3 | | REV: B3 | |