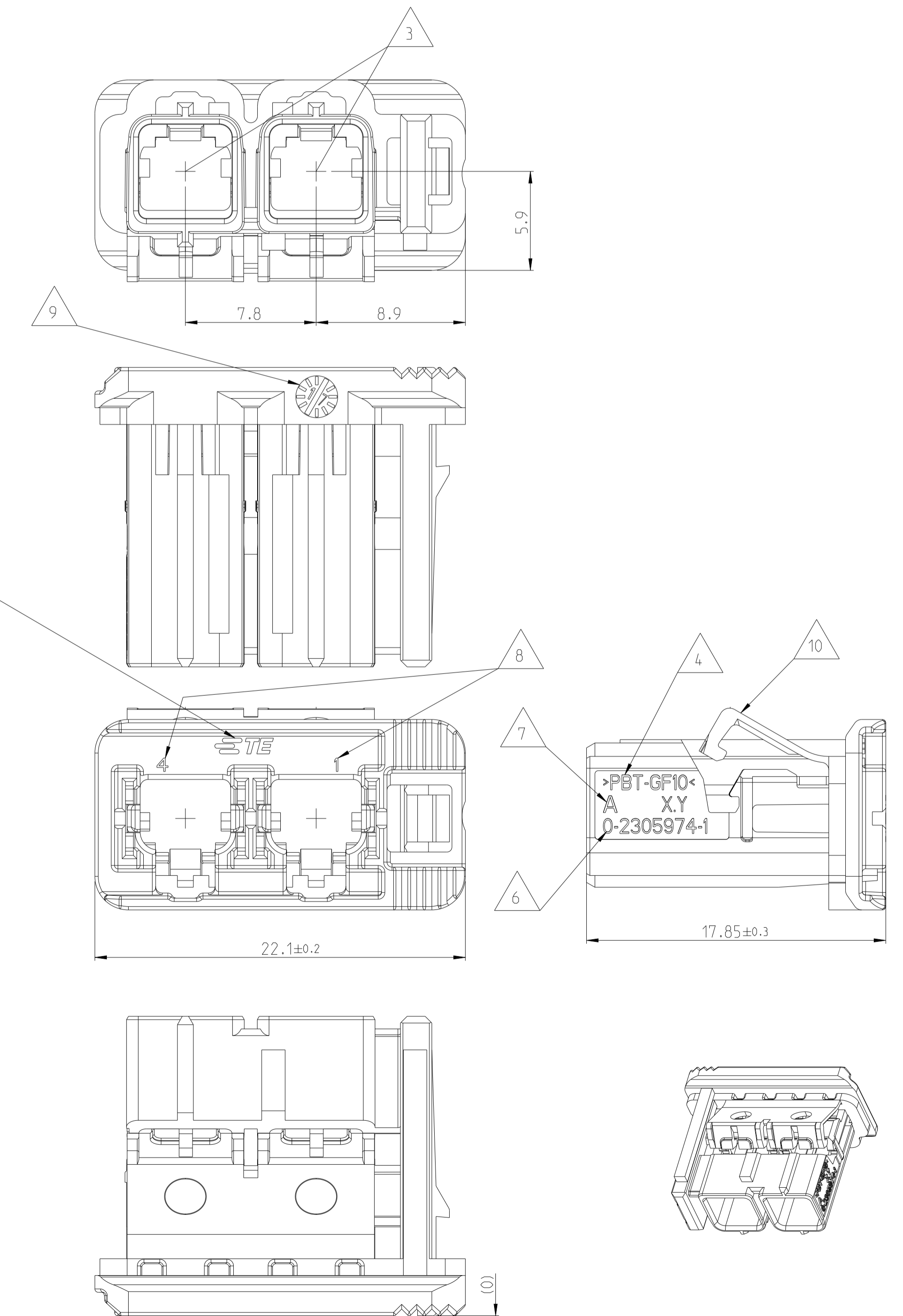
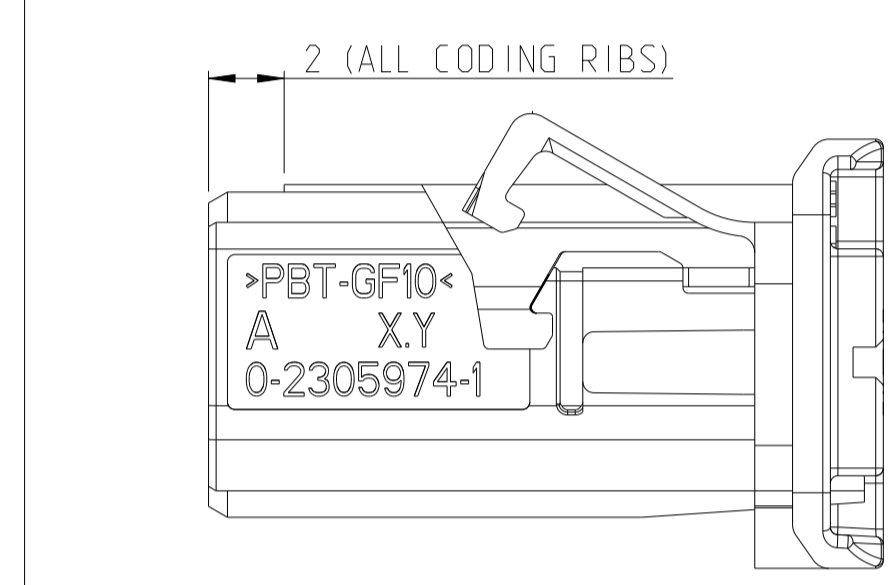
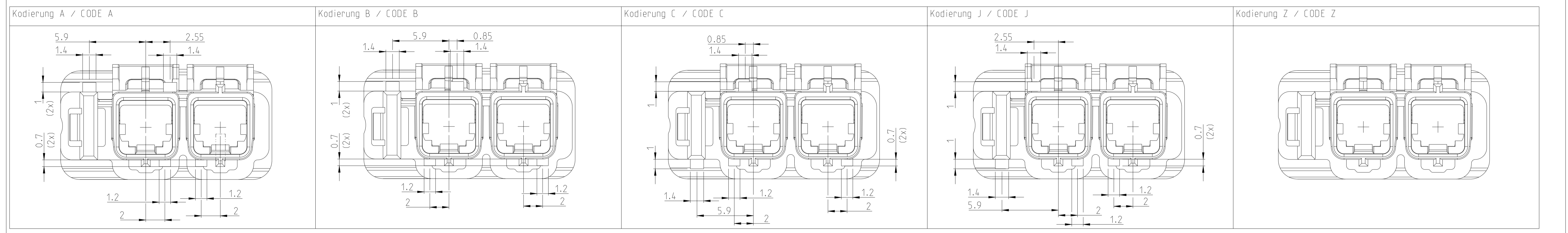
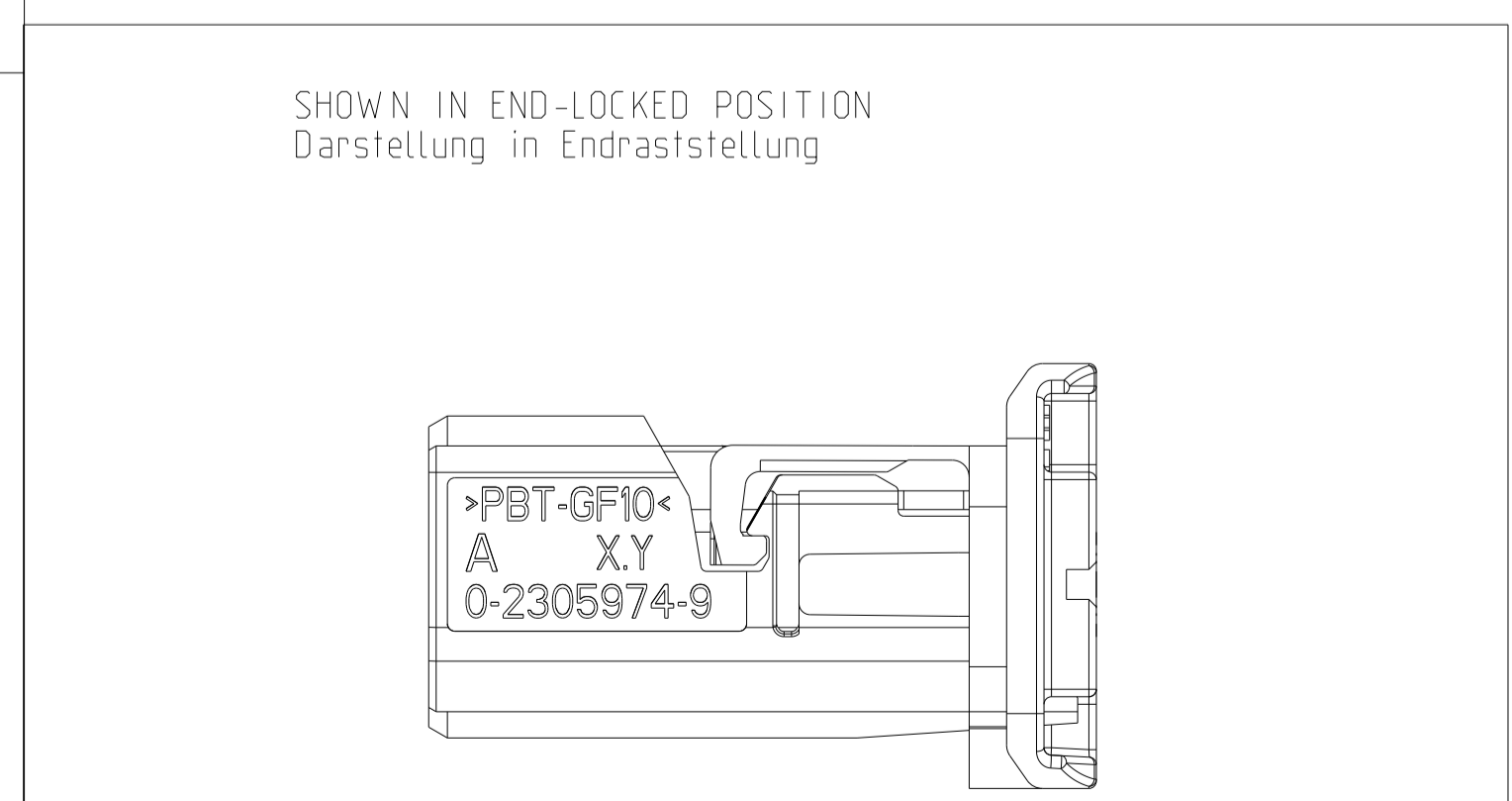


PROJEKT NR.:		REVISIONS ÄNDERUNGEN			
P	LTN	DESCRIPTION BESCHREIBUNG	DATE	DWN	APVD
A1	E-17-01935		17AUG2017	RW	AK
A2	E-19-014867		11NOV2019	FF	AK
A3	PCN-22-128957 (removed optional long latch)		17FEB2022	RW	AK
A4	PCN-24-211274 (added China Market variants)		12JUN2024	RW	AK



- Notizen / NOTES
- 0-2305974-1 Kodierung A wie dargestellt  
0-2305974-1 CODING A AS SHOWN
  - Passend zu Stiftwanne nach  
TE-Schnittstellenzeichnung 208-18012  
MATING TO PINHEADER ACC.  
TE-INTERFACE DRAWING 208-18012
  - Kammer fuer MATenet 2Pos. NanoMQS female Insert module  
TE PN 0-2302450-X  
CAVITY FOR MATenet 2Pos. NanoMQS FEMALE INSERT MODULE  
TE PN 0-2302450-X
  - Materialkennzeichnung  
MATERIAL MARKING
  - TE-Logo  
TE-LOGO
  - TE-Teile Nummer  
TE-Part Number
  - Revisionsstand  
PART REVISION
  - Kontaktkammernummer  
CONTACT CAVITY NUMBER
  - Produktionsdatum  
PRODUKTION DATE
  - Anlieferzustand: 2. Kontaktsicherung geöffnet  
DELIVERY CONDITION: RETAINER IN OPEN POSITION
  - Verpackung: Schuetztgut im Beutel im Karton  
PACKAGING: LOOSE PIECES IN BAG IN BOX



CODE	PART No.	REV.	DESCRIPTION	MARKET	MATERIAL	WEIGHT [g]	COLOR similar RAL
Z	2-2305974-9	A	Dual-Port MATenet Frame, Code Z	CHINA	PBT-GF10	1.5	water-blue 5021
J	2-2305974-7	A	Dual-Port MATenet Frame, Code J			1.5	beige 1001
C	2-2305974-3	A	Dual-Port MATenet Frame, Code C			1.5	blue 5012
B	2-2305974-2	A	Dual-Port MATenet Frame, Code B			1.5	white 9010
A	2-2305974-1	A	Dual-Port MATenet Frame, Code A			1.5	black 9011
Z	0-2305974-9	A	Dual-Port MATenet Frame, Code Z	GLOBAL	PBT-GF10	1.5	water-blue 5021
J	0-2305974-7	A	Dual-Port MATenet Frame, Code J			1.5	beige 1001
C	0-2305974-3	A	Dual-Port MATenet Frame, Code C			1.5	blue 5012
B	0-2305974-2	A	Dual-Port MATenet Frame, Code B			1.5	white 9010
A	0-2305974-1	A	Dual-Port MATenet Frame, Code A			1.5	black 9011

THIS DRAWING IS A CONTROLLED DOCUMENT. DWN: J. KIESSWITZER, 23AUG2016  
 CHK: R. WUERKER, 13OCT2016

DIMENSIONS: MASSENHEITEN: mm TOLERANCES UNLESS OTHERWISE SPECIFIED: ALLE DIMENSIONEN

0 PLC ±0.2  
 1 PLC ±0.1  
 2 PLC ±0.1  
 3 PLC ±  
 4 PLC ±  
 ANGLES/WINKEL: ±1°  
 FINISH/BEFLACHE/FARBE: -

MATERIAL: - SEE TABLE WEIGHT: see table

CUSTOMER DRAWING /KUNDENZEICHNUNG SCALE: 5:1 SHEET: 1 OF 1 REV: A4

NAME: Dual-Port MATenet Frame DUAL-PORT MATenet FRAME

SIZE: A1 CAGE CODE: 00779 DRAWING NO: 2305974

RESTRICTED TO: NUR FÜR