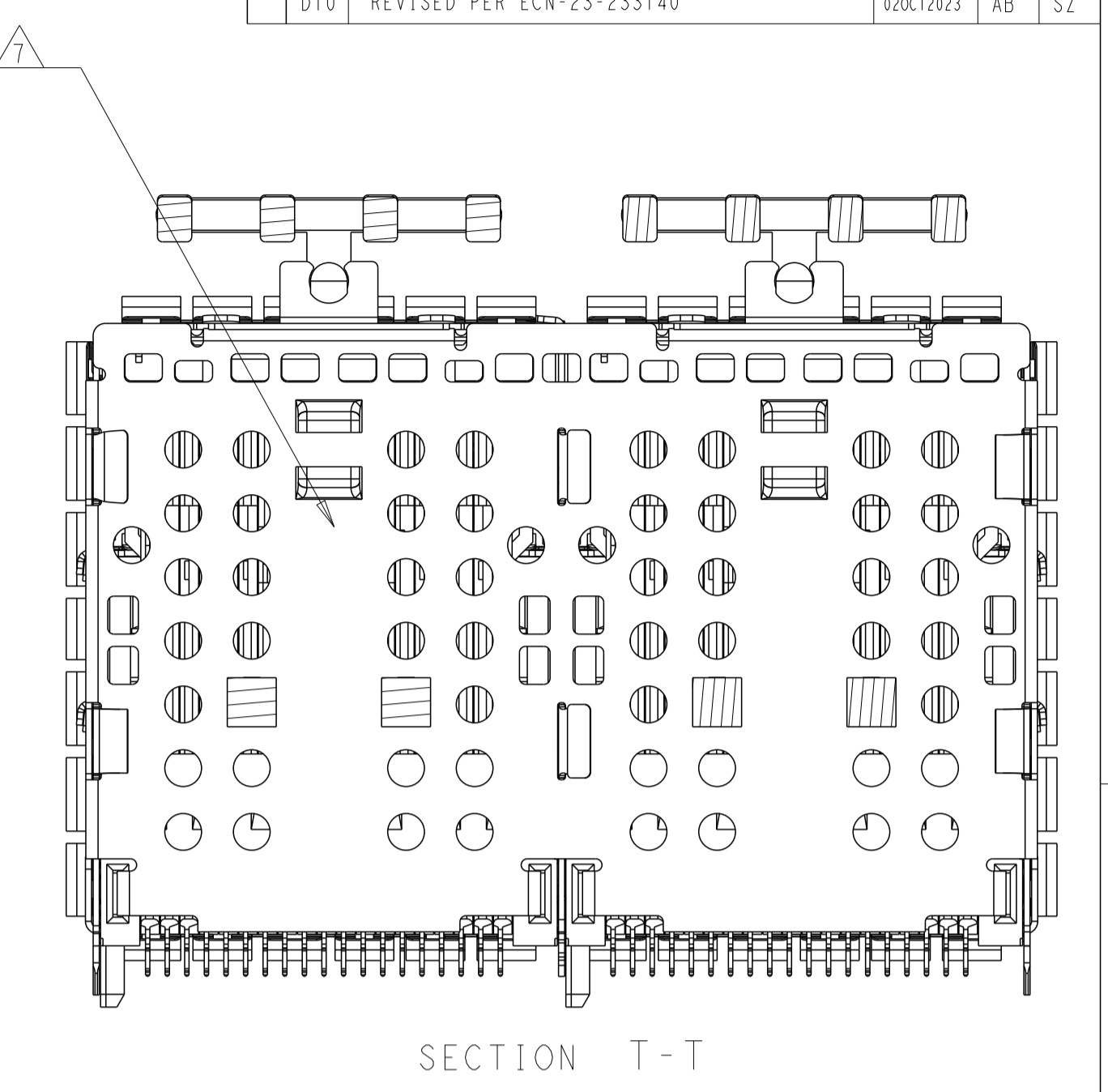
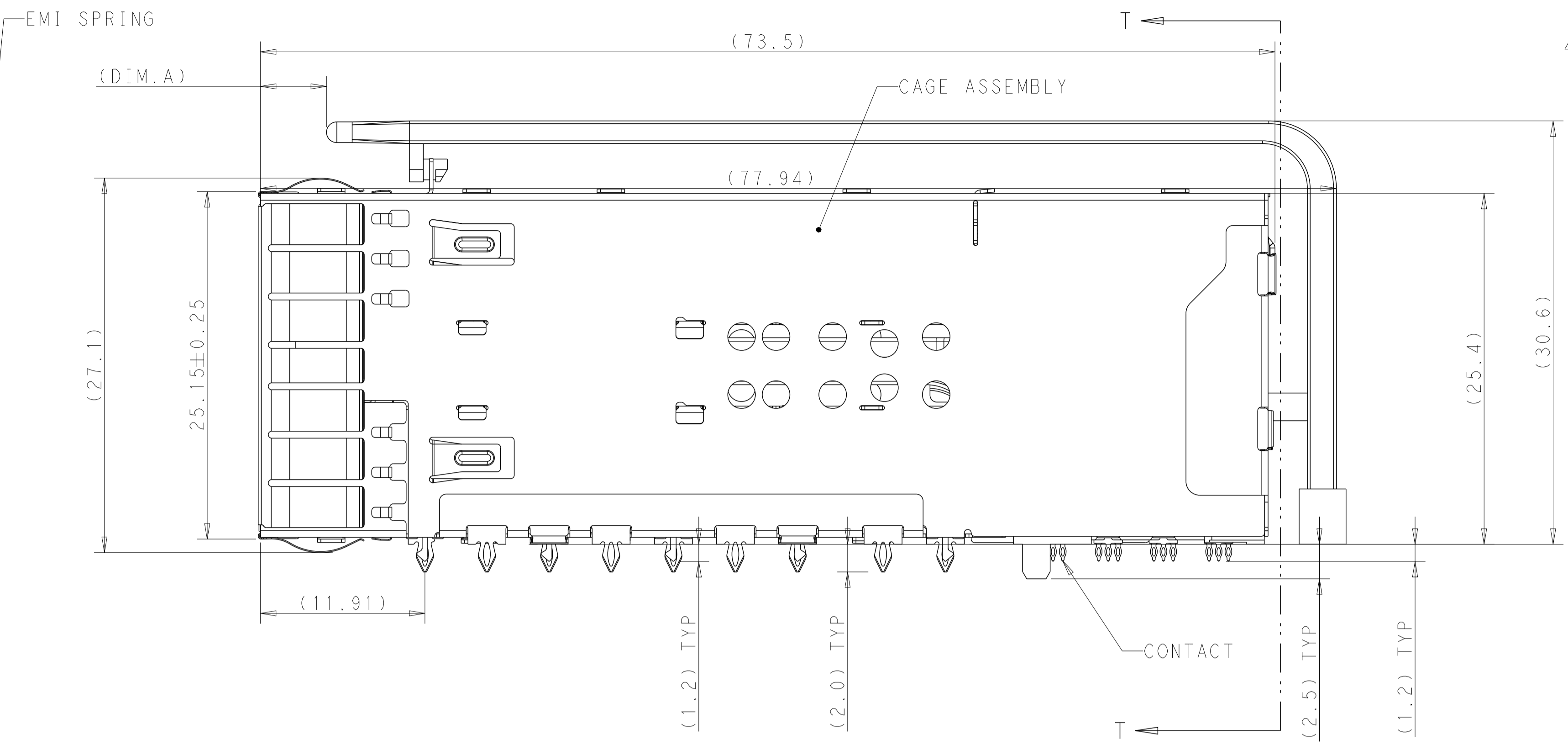
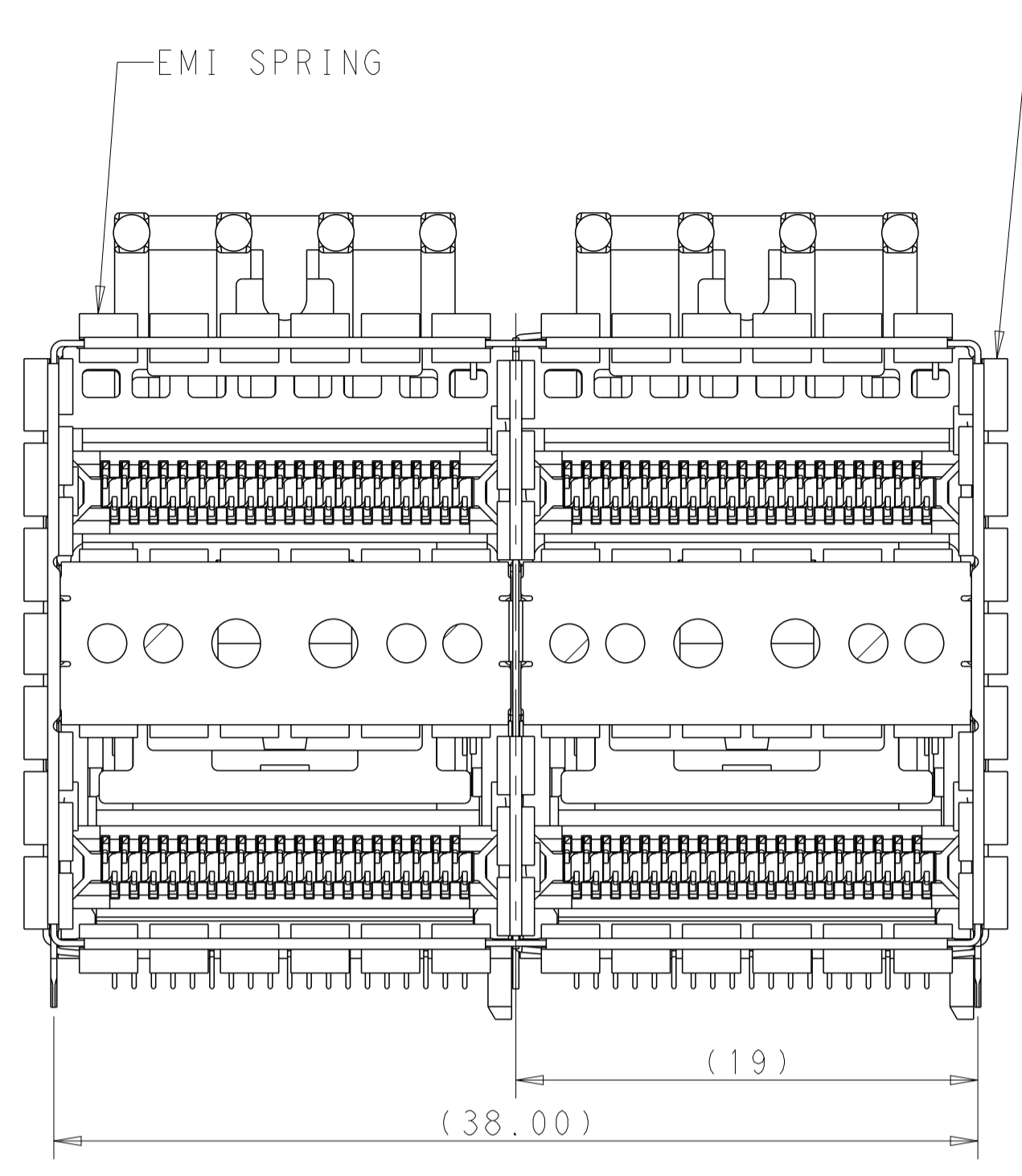
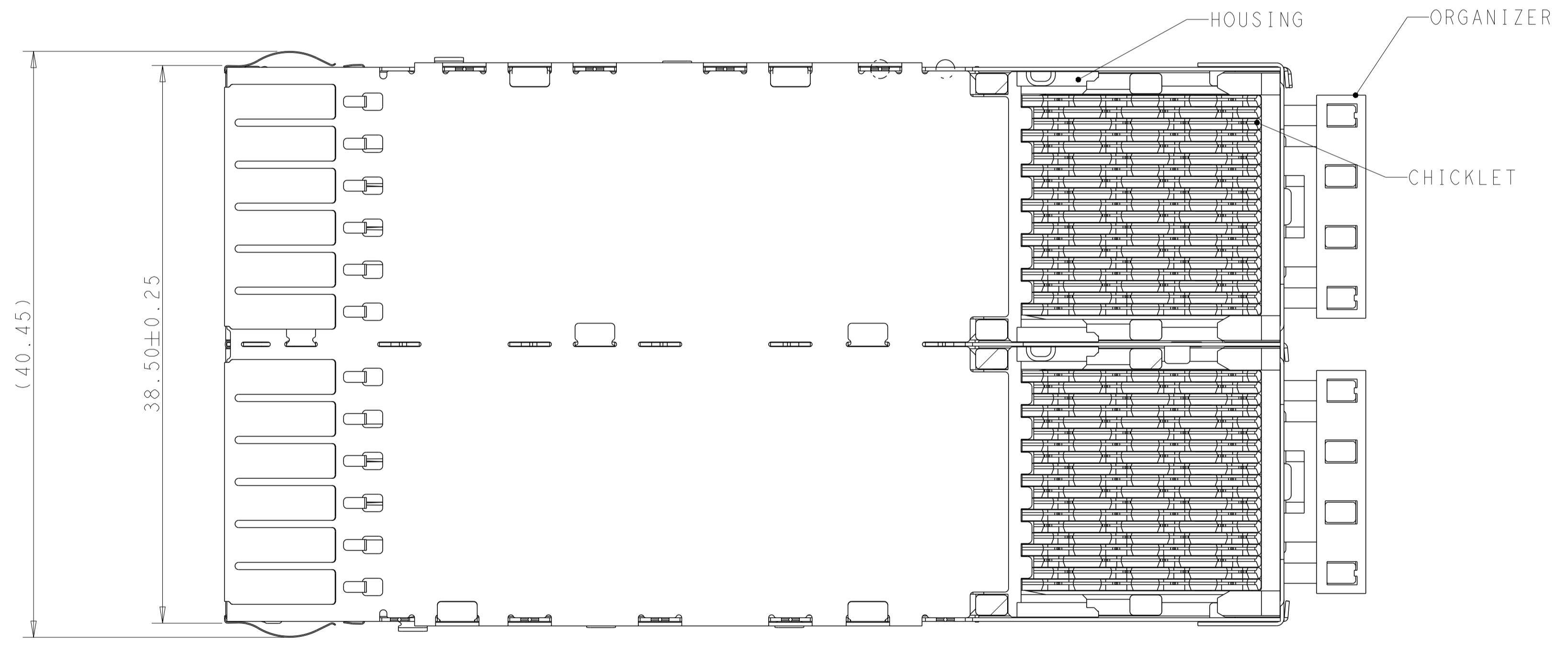


| LOC | DIST | REVISIONS |     |                           |           |     |      |
|-----|------|-----------|-----|---------------------------|-----------|-----|------|
| GP  | 00   | P         | LTH | DESCRIPTION               | DATE      | DWN | APVD |
|     |      | D         |     | REVISED PER ECR-20-014390 | 14OCT2020 | RM  | SH   |
|     |      | D1        |     | REVISED PER ECO-21-000016 | 04JAN2021 | SH  | SZ   |
|     |      | D9        |     | REVISED PER ECN-23-213779 | 08MAY2023 | RY  | SZ   |
|     |      | D10       |     | REVISED PER ECN-23-233140 | 02OCT2023 | AB  | SZ   |



238171-1 AS SHOWN



1. MATERIALS:  
 CAGE ASSEMBLY- NICKEL SILVER ALLOY PER ASTM B 122.  
 EMI SPRING- COPPER ALLOY, NICKEL PLATED.  
 HOUSING- POLYESTER LCP WITH 94V-0.  
 CHICKLET- POLYESTER LCP WITH 94V-0.  
 CONTACT- COPPER ALLOY.  
 LIGHTPIPE- POLYCARBONATE WITH 94V-0.

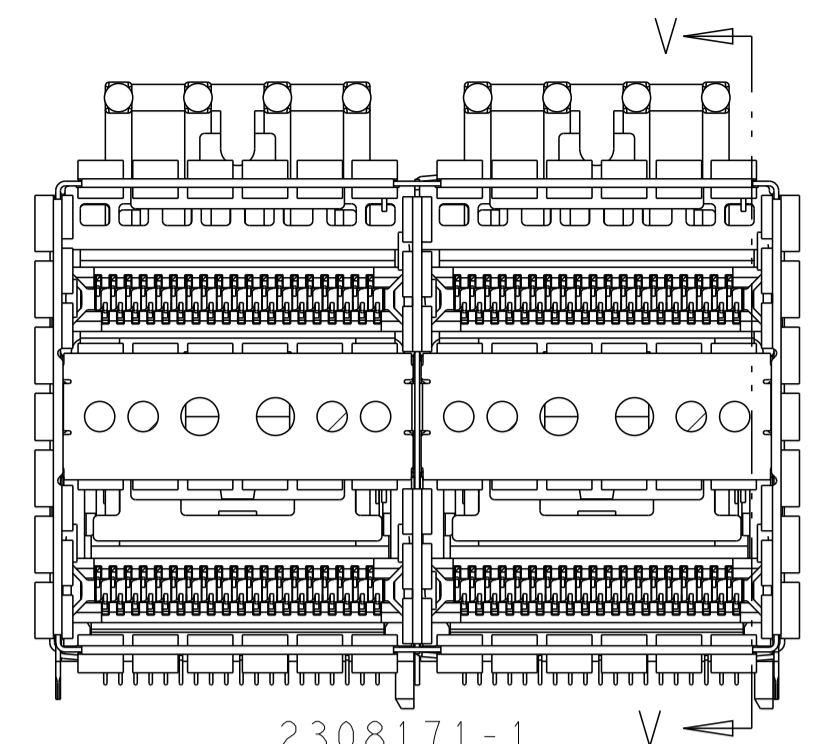
- 2 CONTACT FINISH: 0.76µm MIN GOLD ON MATING AREA, 0.7-1.5µm MATT TIN ON COMPLIANT AREA, ALL OVER 1.27µm MIN NICKEL.
- 3 DATUM AND BASIC DIMENSION ESTABLISHED BY CUSTOMER.
4. MINIMUM PCB THICKNESS OF 3.0 FOR BELLY TO BELLY APPLICATION.
- 5 THE ENTIRE AREA OF THE CONNECTOR FOOTPRINT, INDICATED BY THE DASHED LINE, TO BE CONSIDERED THE KEEPOUT AREA FOR COMPONENTS AND TRACES.
- 6 CROSS-HATCHED AREAS REPRESENT ZONES ON THE PCB THAT COME IN CONTACT WITH OR BE IN CLOSE PROXIMITY TO THE PLASTIC HOUSING OR THE CONNECTOR CAGE. INDICATED AREAS TO BE CONSIDERED TRACE FREE.
- 7 PART NUMBER AND DATE CODE MADE IN APPROXIMATE AREA SHOWN.
- 8 HATCHED AREA IS PLACEMENT ZONE FOR LED. LED SHOULD BE CENTERED WITHIN ZONE. RECOMMEND 0805 PACKAGE.

THIS DRAWING IS A CONTROLLED DOCUMENT.

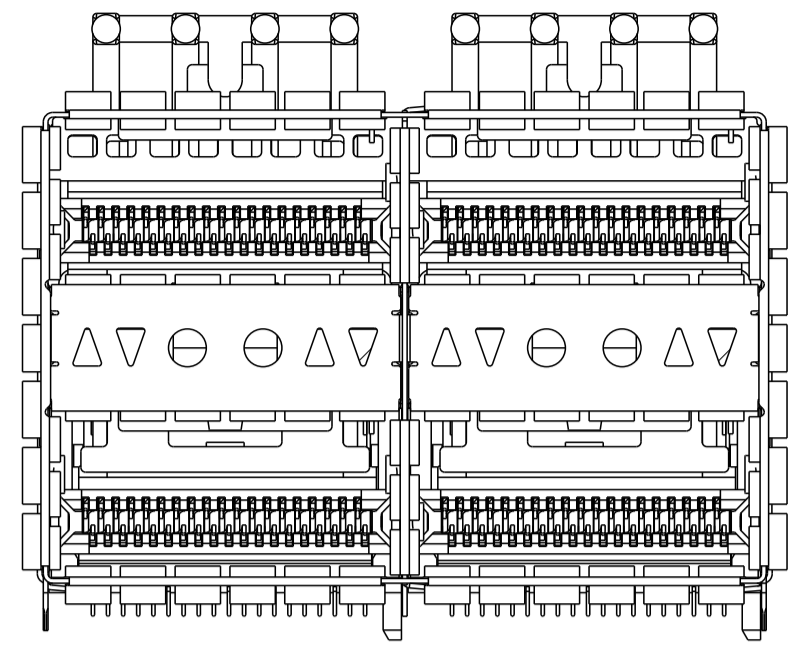
|                      |                                                             |                        |                         |                          |                                                                                             |
|----------------------|-------------------------------------------------------------|------------------------|-------------------------|--------------------------|---------------------------------------------------------------------------------------------|
| DIMENSIONS:          | TOLERANCES UNLESS OTHERWISE SPECIFIED:                      | OWN: TIM XUE 17AUG2016 | CHK: SEAN HAN 17AUG2016 | APVD: SEAN HAN 17AUG2016 | NAME: zOSFP+ 2X2 4 INTERNAL LIGHT PIPES WITH EMI SPRING FINGERS, BELLY TO BELLY APPLICATION |
| mm                   | 0 PLC ±<br>1 PLC ±0.25<br>2 PLC ±0.20<br>3 PLC ±<br>4 PLC ± | SIZE: A1               | CAGE CODE: 100779       | DRAWING NO: C=2308171    | RESTRICTED TO: -                                                                            |
| MATERIAL: SEE NOTE 1 | FINISH: SEE NOTE 2                                          | WEIGHT: -              | CUSTOMER DRAWING        | SCALE: 1:1               | SHEET 1 OF 11                                                                               |

4805 (3/11)

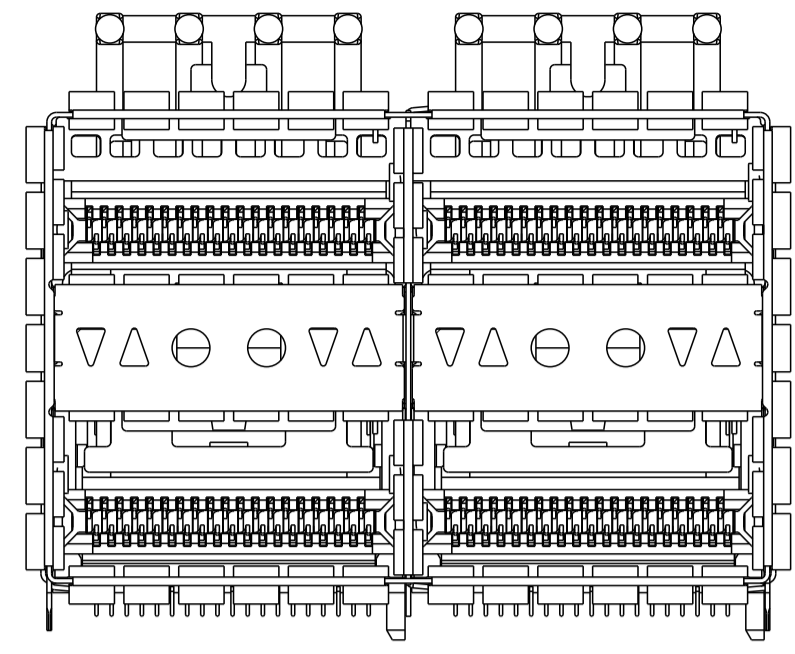
| LOC | DIST | REVISIONS |     |             |      |     |      |
|-----|------|-----------|-----|-------------|------|-----|------|
| GP  | 00   | P         | LTN | DESCRIPTION | DATE | OWN | APVD |
|     |      | -         |     | SEE SHEET 1 |      |     |      |



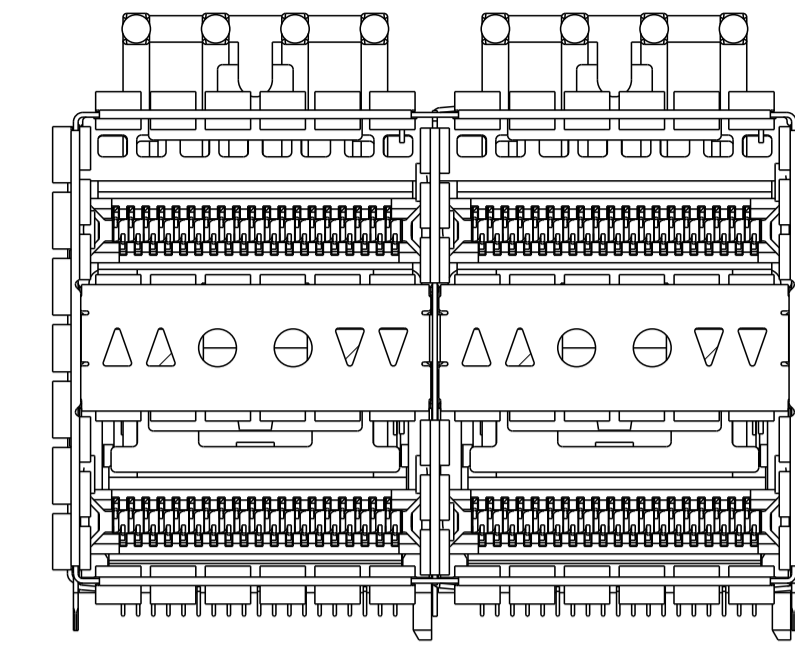
2308171-1  
 2308171-7  
 1-2308171-0  
 3-2308171-0  
 ALL ROUND INDICATOR, 4LP  
 SCALE 5:2



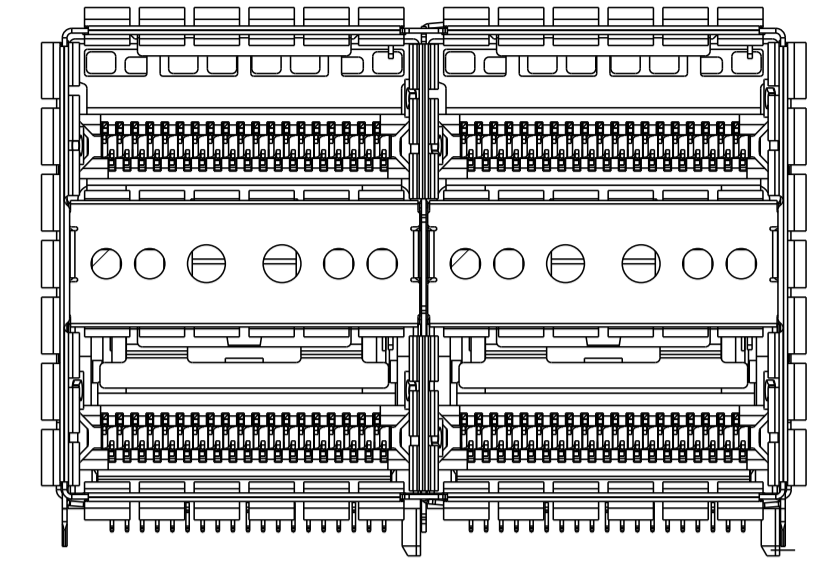
2308171-2  
 LEFT INDICATOR UP  
 SCALE 5:2



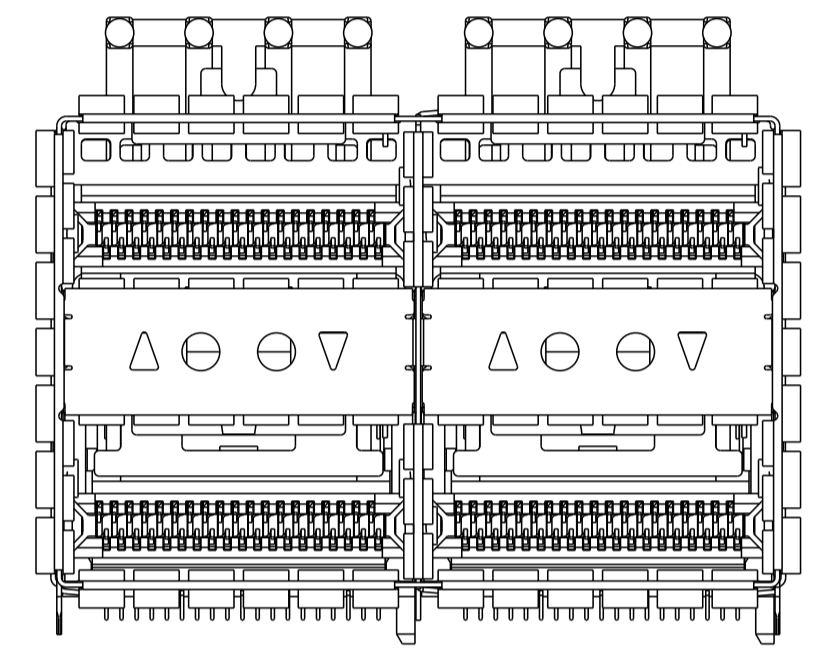
2308171-3  
 LEFT INDICATOR DOWN  
 SCALE 5:2



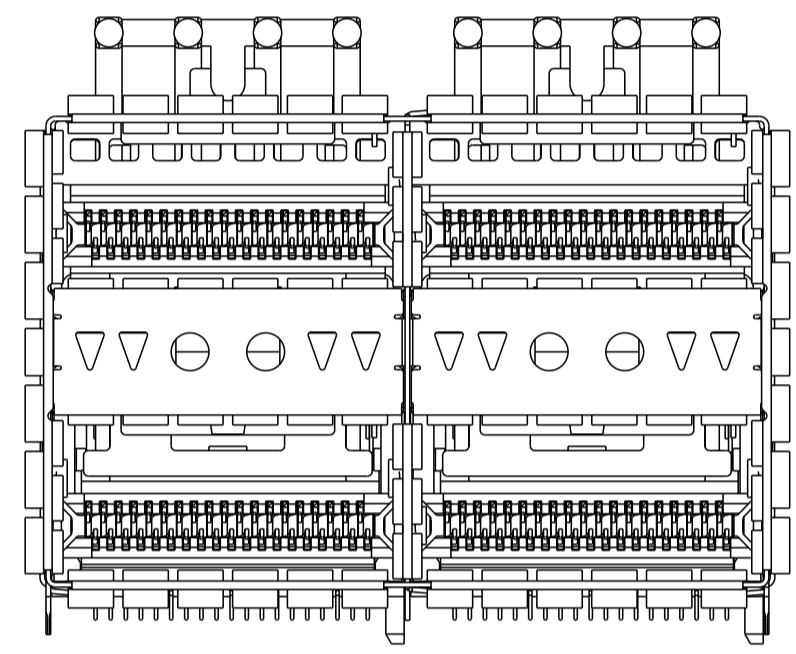
2308171-4  
 LEFT INDICATOR UP  
 SCALE 5:2



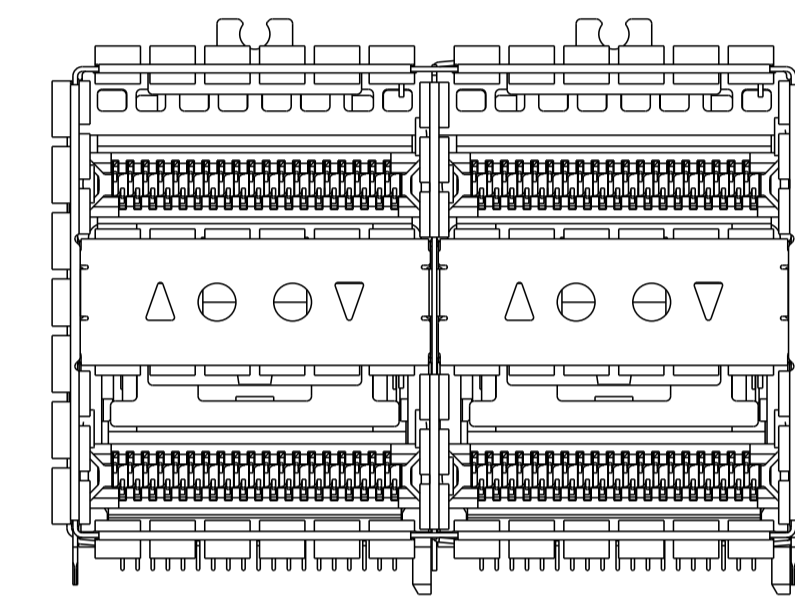
1-2308171-2  
 ALL ROUND INDICATOR  
 SCALE 5:2



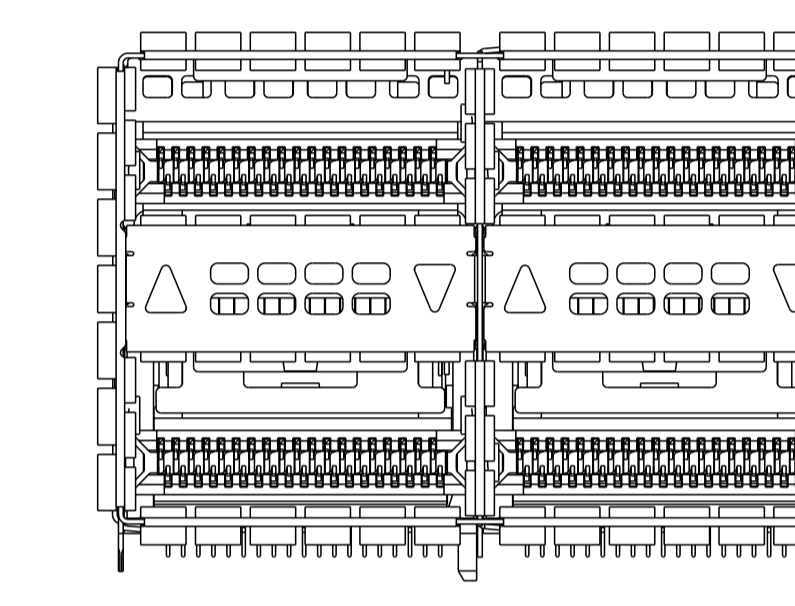
2308171-5  
 LEFT INDICATORS UP(2 LIGHT PIPES)  
 SCALE 5:2



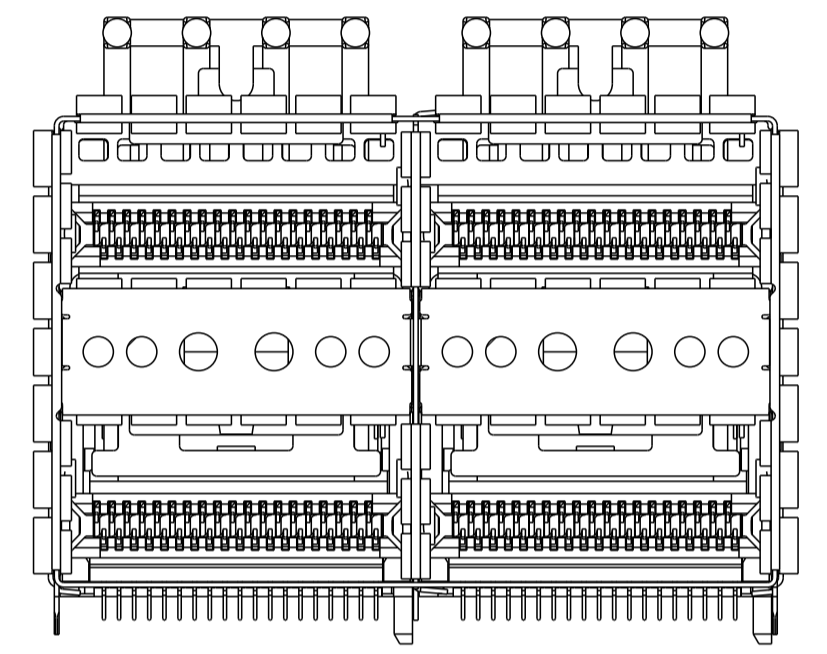
2308171-6  
 ALL INDICATORS DOWN  
 SCALE 5:2



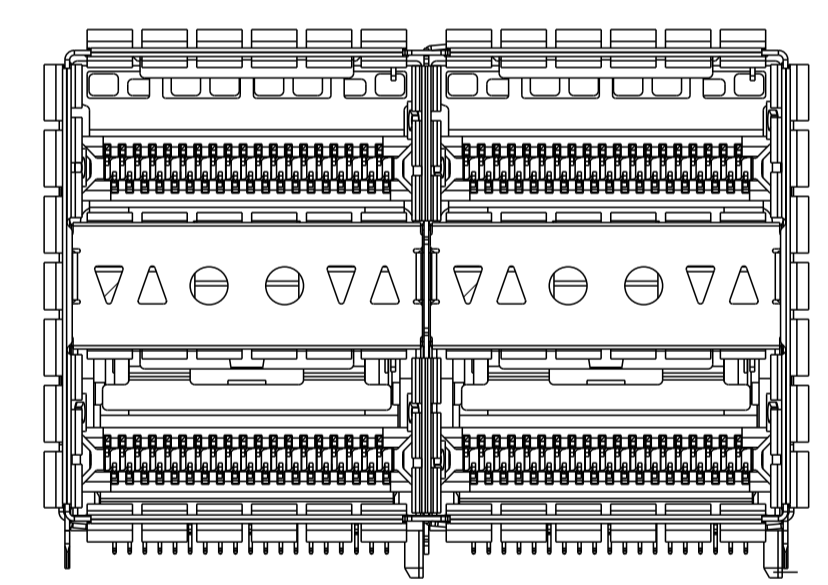
2308171-8  
 W/O TOP LIGHT PIPE  
 SCALE 5:2



2308171-9  
 W/O TOP LIGHT PIPE  
 SCALE 5:2

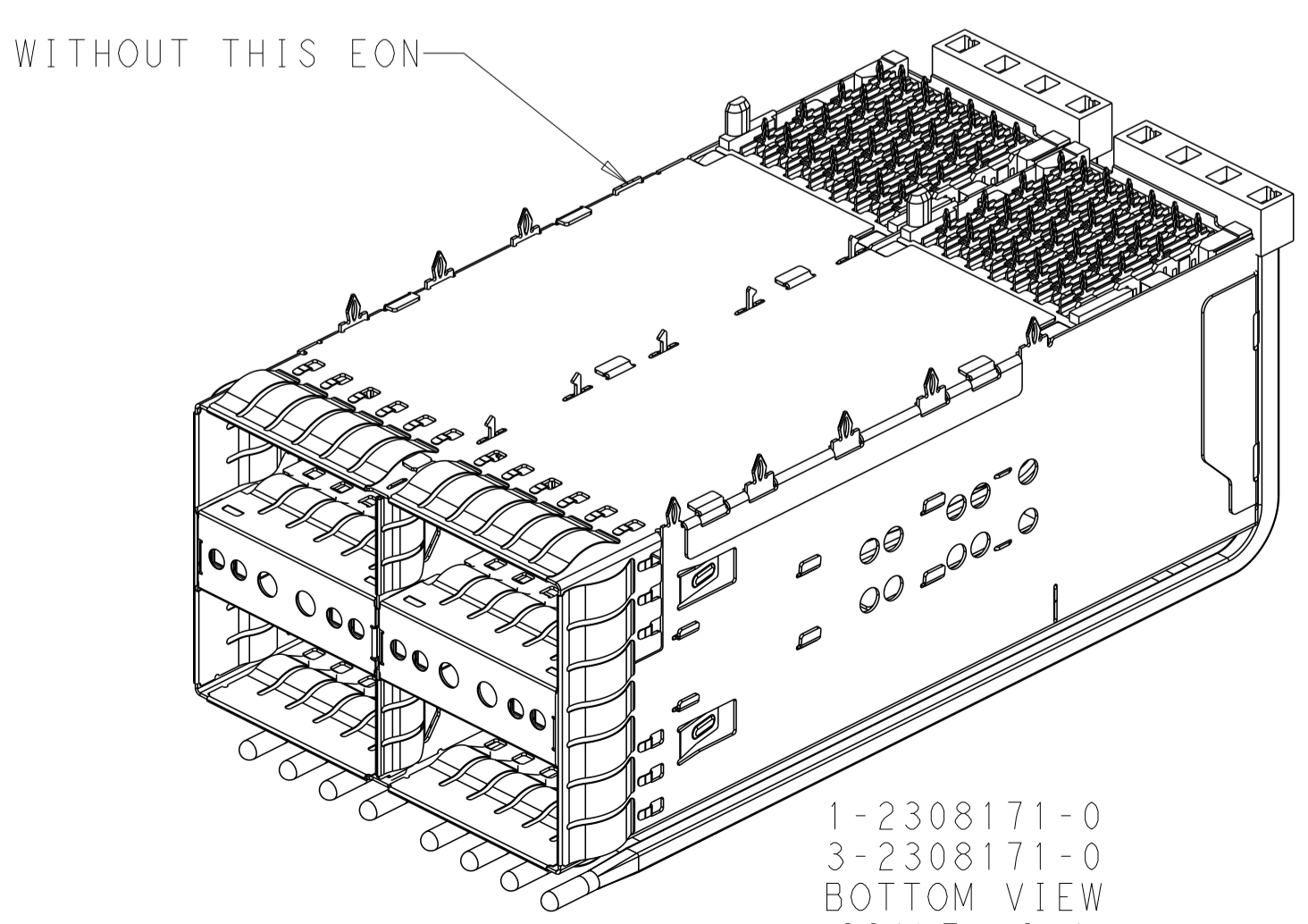


1-2308171-1  
 3-2308171-1  
 ALL ROUND INDICATOR, 4LP  
 WITHOUT BOTTOM EMI SPRINGS  
 SCALE 5:2

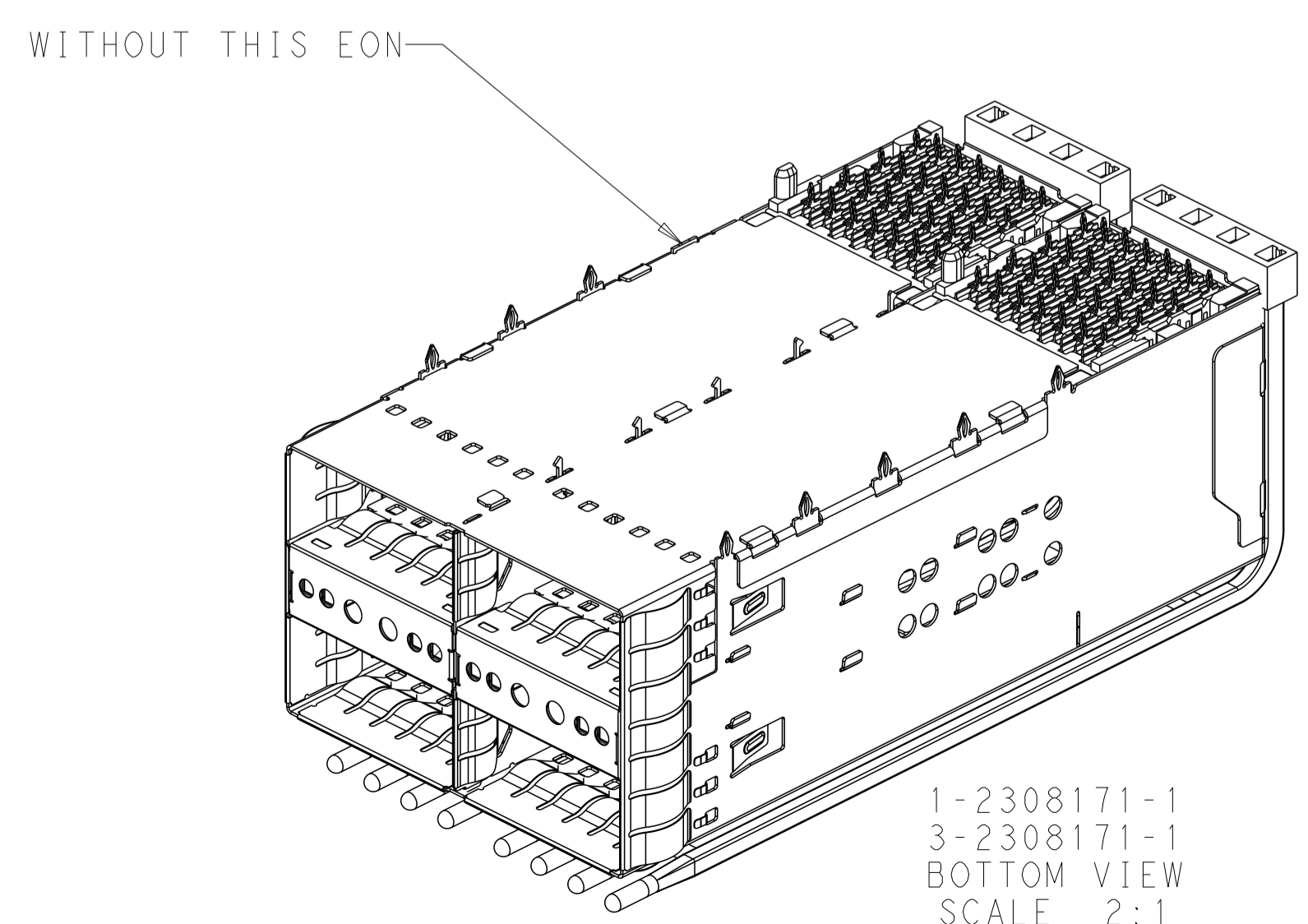


1-2308171-3  
 LEFT INDICATOR DOWN  
 SCALE 5:2

| W/O ORGANIZER, W/O TOP LP  | N/A    | 2              | LEFT INDICATOR DOWN, 4LP                                   | 1-2308171-3 |
|----------------------------|--------|----------------|------------------------------------------------------------|-------------|
| W/ ORGANIZER, UNCOATED LP  | 0.1    | 2              | ALL ROUND INDICATOR, 4LP                                   | 3-2308171-1 |
| W/ ORGANIZER, UNCOATED LP  | 0.1    | 2              | ALL ROUND INDICATOR, 4LP                                   | 3-2308171-0 |
| W/O ORGANIZER, W/O TOP LP  | N/A    | 2              | NO INTRENAL LP                                             | 2-2308171-2 |
| W/ ORGANIZER, UNCOATED LP  | N/A    | 2              | NO INTRENAL LP                                             | 2-2308171-1 |
| W/ ORGANIZER, UNCOATED LP  | N/A    | 2              | NO INTRENAL LP                                             | 2-2308171-0 |
| W/O ORGANIZER, W/O TOP LP  | N/A    | 2              | ALL ROUND INDICATOR<br>NO INTERNAL LP,<br>WITH INTERNAL HS | 1-2308171-4 |
| W/O ORGANIZER, W/O TOP LP  | N/A    | 2              | ALL ROUND INDICATOR                                        | 1-2308171-2 |
| W/ ORGANIZER, UNCOATED LP  | 1.6    | 2              | ALL ROUND INDICATOR, 4LP                                   | 1-2308171-1 |
| W/ ORGANIZER, UNCOATED LP  | 1.6    | 2              | ALL ROUND INDICATOR, 4LP                                   | 1-2308171-0 |
| W/O ORGANIZER, W/O TOP LP  | N/A    | 2              | LEFT INDICATOR UP, 2LP                                     | 2308171-9   |
| W/O ORGANIZER, W/O TOP LP  | N/A    | 2              | LEFT INDICATOR UP, 2LP                                     | 2308171-8   |
| W/O ORGANIZER, UNCOATED LP | 1.6    | 2              | ALL ROUND INDICATOR, 4LP                                   | 2308171-7   |
| W/ ORGANIZER, UNCOATED LP  | 1.6    | 2              | ALL INDICATOR DOWN, 4LP                                    | 2308171-6   |
| W/O ORGANIZER, UNCOATED LP | 4.8    | 2              | LEFT INDICATOR UP, 2LP                                     | 2308171-5   |
| W/O ORGANIZER, UNCOATED LP | 4.8    | 2              | LEFT INDICATOR UP, 4LP                                     | 2308171-4   |
| W/O ORGANIZER, UNCOATED LP | 4.8    | 2              | LEFT INDICATOR DOWN, 4LP                                   | 2308171-3   |
| W/O ORGANIZER, UNCOATED LP | 4.8    | 2              | LEFT INDICATOR UP, 4LP                                     | 2308171-2   |
| W/ ORGANIZER, UNCOATED LP  | 4.8    | 2              | ALL ROUND INDICATOR, 4LP                                   | 2308171-1   |
| REMARK                     | DIM. A | CONTACT FINISH | DESCRIPTION                                                | PART NUMBER |



1-2308171-0  
 3-2308171-0  
 BOTTOM VIEW  
 SCALE 2:1



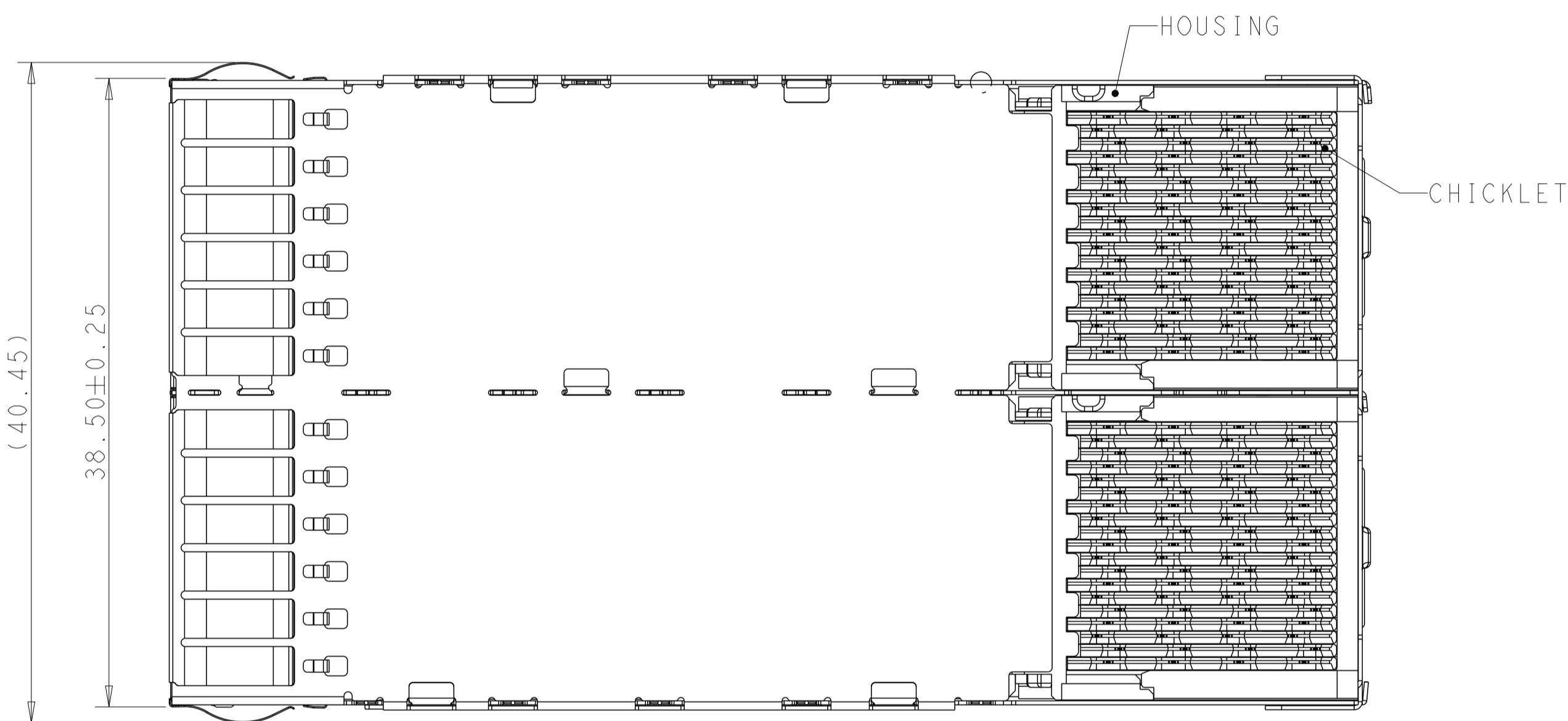
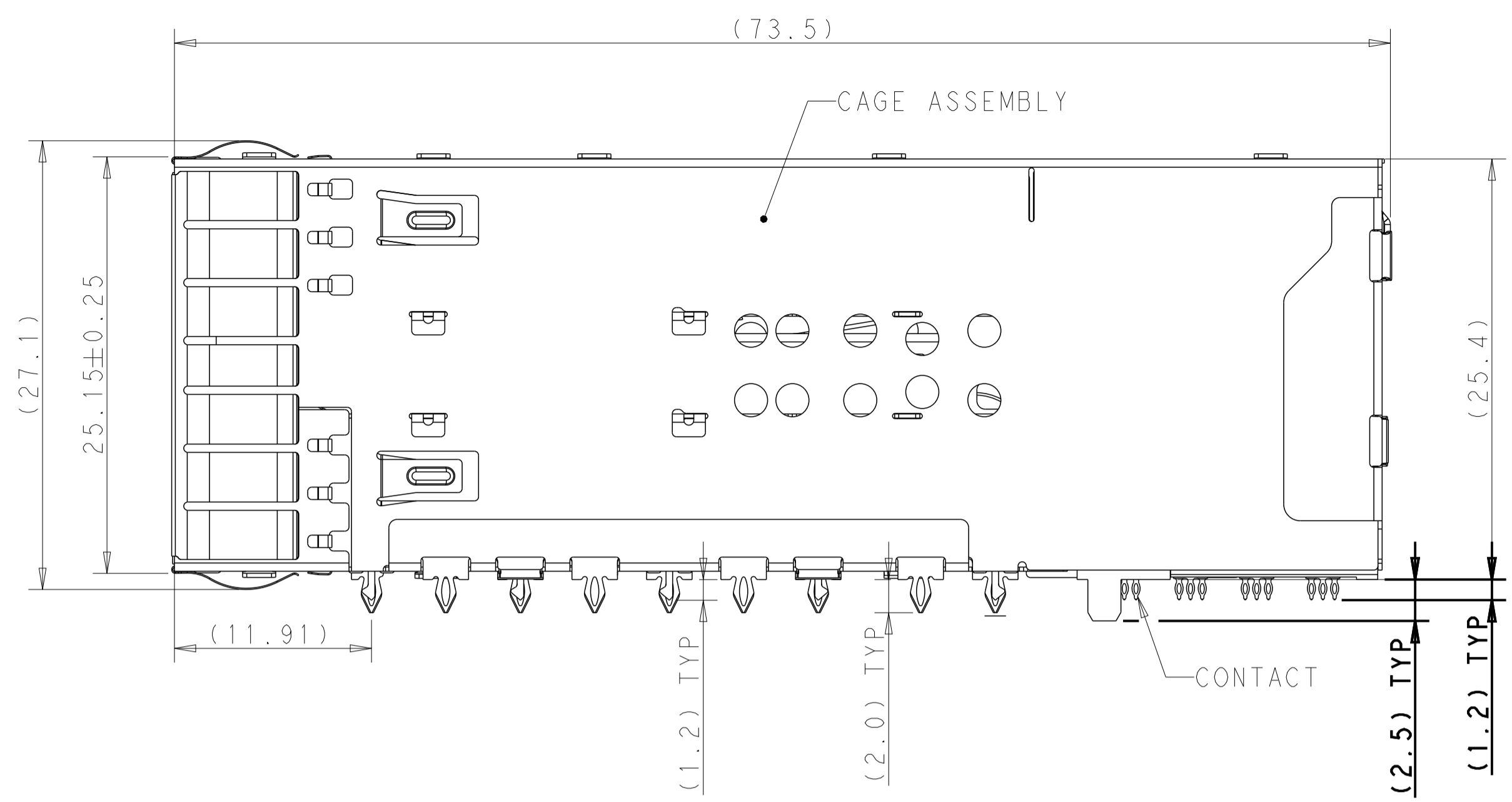
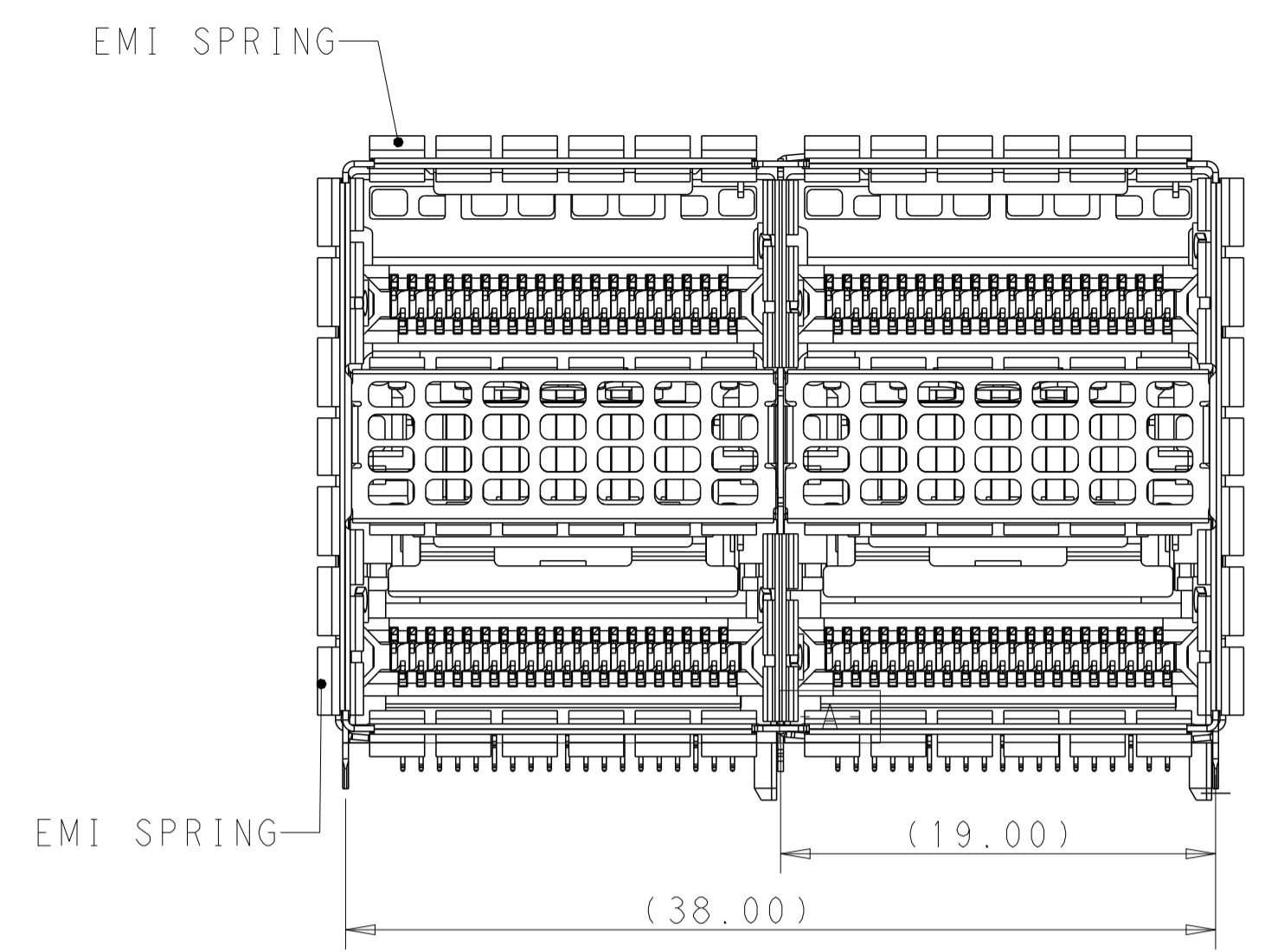
1-2308171-1  
 3-2308171-1  
 BOTTOM VIEW  
 SCALE 2:1

THIS DRAWING IS A CONTROLLED DOCUMENT.

|             |                                        |                  |                                                                                       |            |
|-------------|----------------------------------------|------------------|---------------------------------------------------------------------------------------|------------|
| DIMENSIONS: | TOLERANCES UNLESS OTHERWISE SPECIFIED: | OWN              | TIM XUE                                                                               | 17AUG2016  |
| mm          | 0 PLC ±                                | CHK              | SEAN HAN                                                                              | 17AUG2016  |
|             | 1 PLC ±0.25                            | APVD             | SEAN HAN                                                                              | 17AUG2016  |
|             | 2 PLC ±0.20                            | NAME             | zOSFP+ 2X2 4 INTERNAL LIGHT PIPES WITH EMI SPRING FINGERS, BELLY TO BELLY APPLICATION |            |
|             | 3 PLC ±                                | PRODUCT SPEC     | 108-60102                                                                             |            |
|             | 4 PLC ±                                | APPLICATION SPEC | 114-60015                                                                             |            |
|             | ANGLES ±                               | SIZE             | CAGE CODE                                                                             | DRAWING NO |
| MATERIAL    | FINISH                                 | WEIGHT           | A100779                                                                               | C=2308171  |
| SEE NOTE 1  | SEE NOTE 2                             | CUSTOMER DRAWING | SCALE                                                                                 | 1:1        |

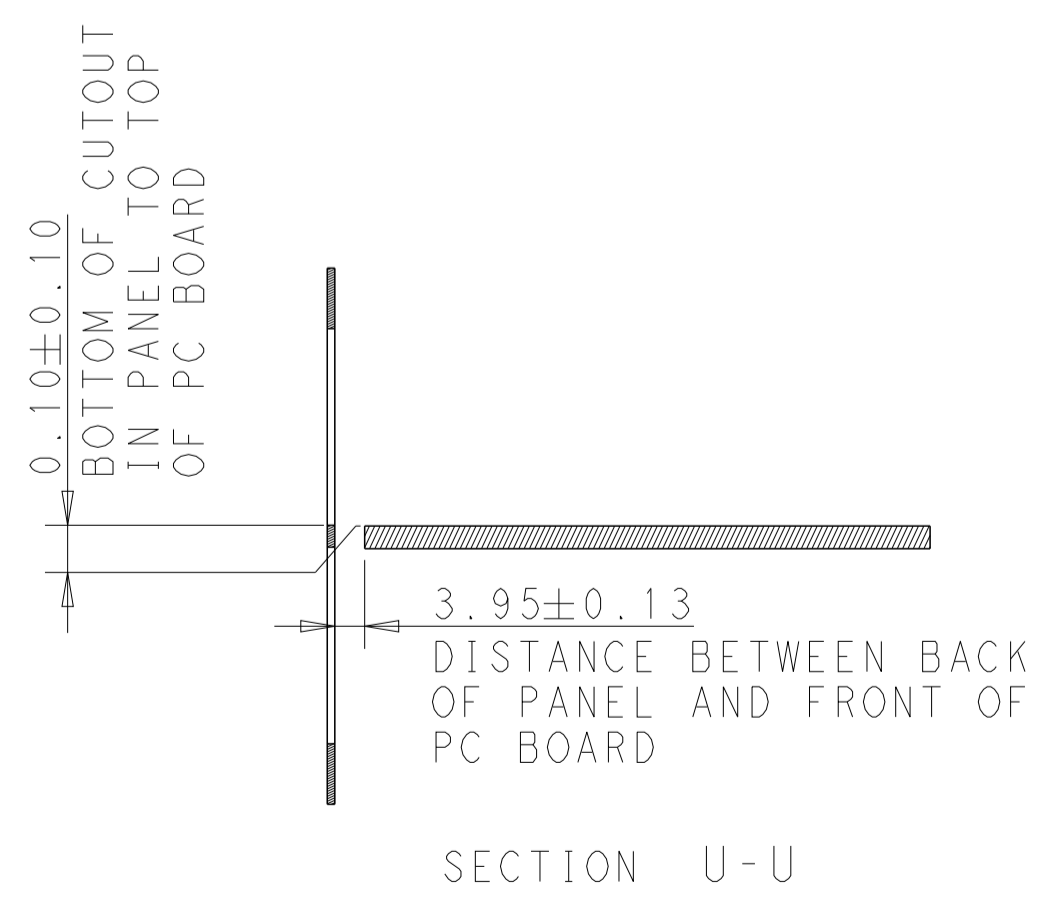
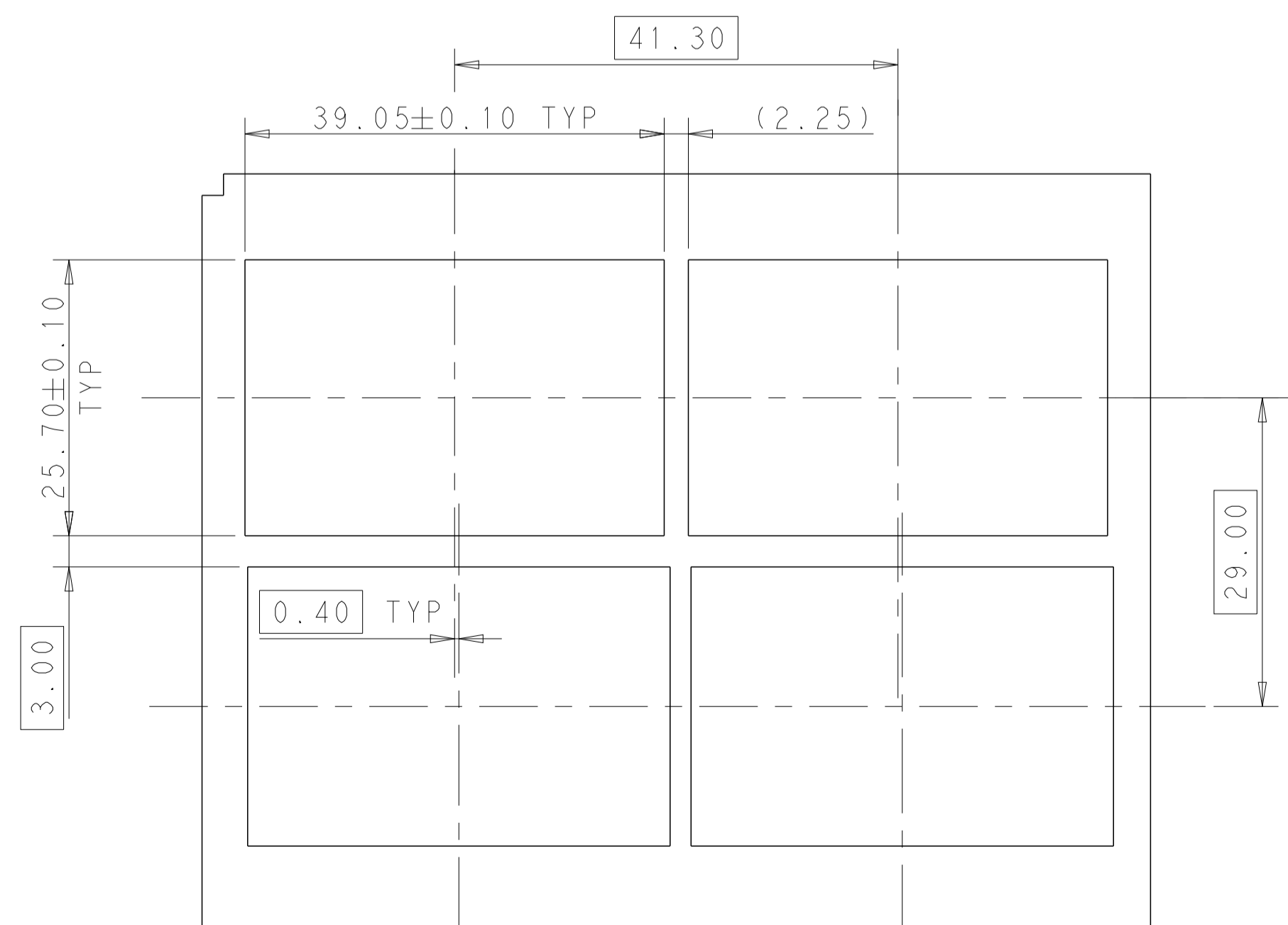
RESTRICTED TO SHEET 2 OF 11

| LOC | DIST | REVISIONS |     |             |      |     |      |
|-----|------|-----------|-----|-------------|------|-----|------|
| GP  | 00   | P         | LTH | DESCRIPTION | DATE | OWN | APVD |
|     |      |           |     | SEE SHEET 1 |      |     |      |



1-2308171-4  
 WITH INTERNAL HS  
 OTHERS ARE THE SAME AS 2308171-1

1-2308171-4 PCB FOOTPRINT IS  
 SHOWN IN THE NEXT PAGE



1-2308171-4 PANEL CUTOUT  
 SCALE 2:1

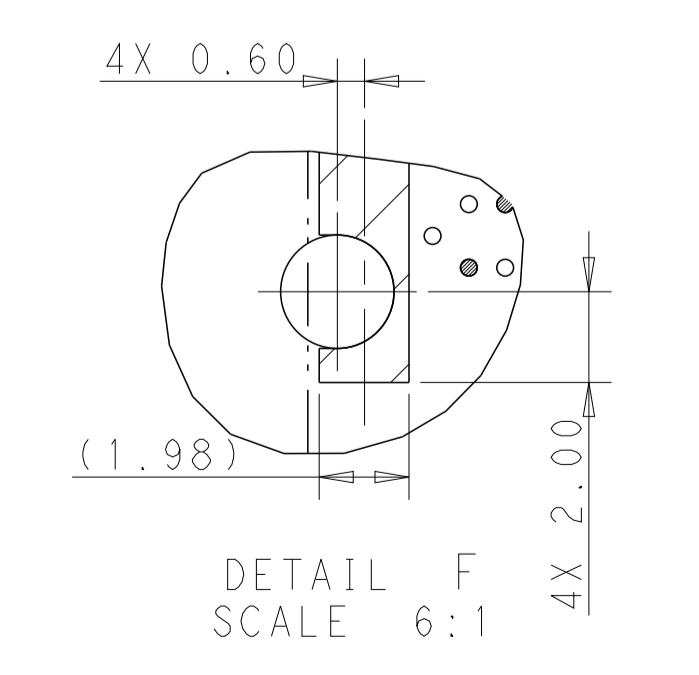
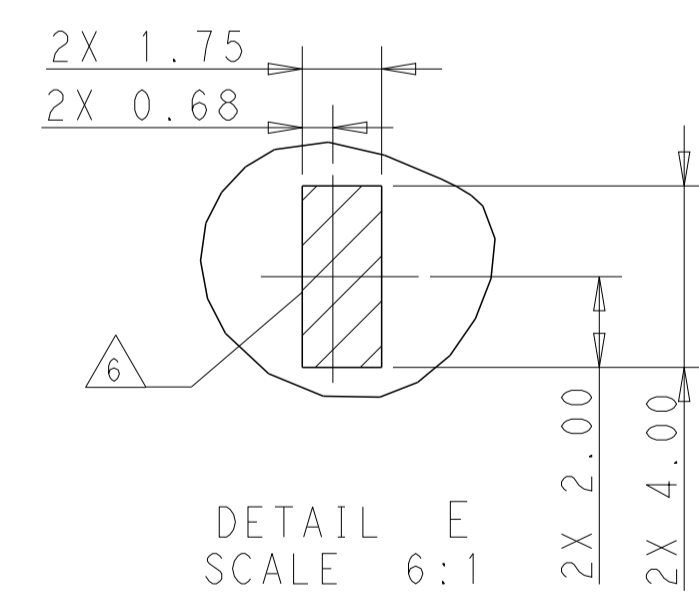
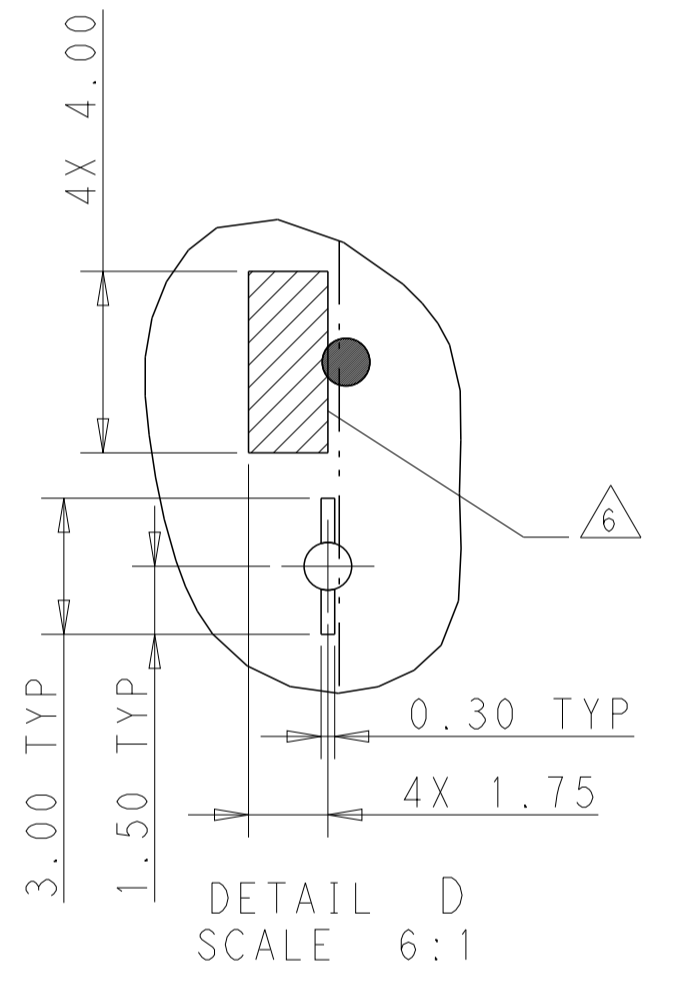
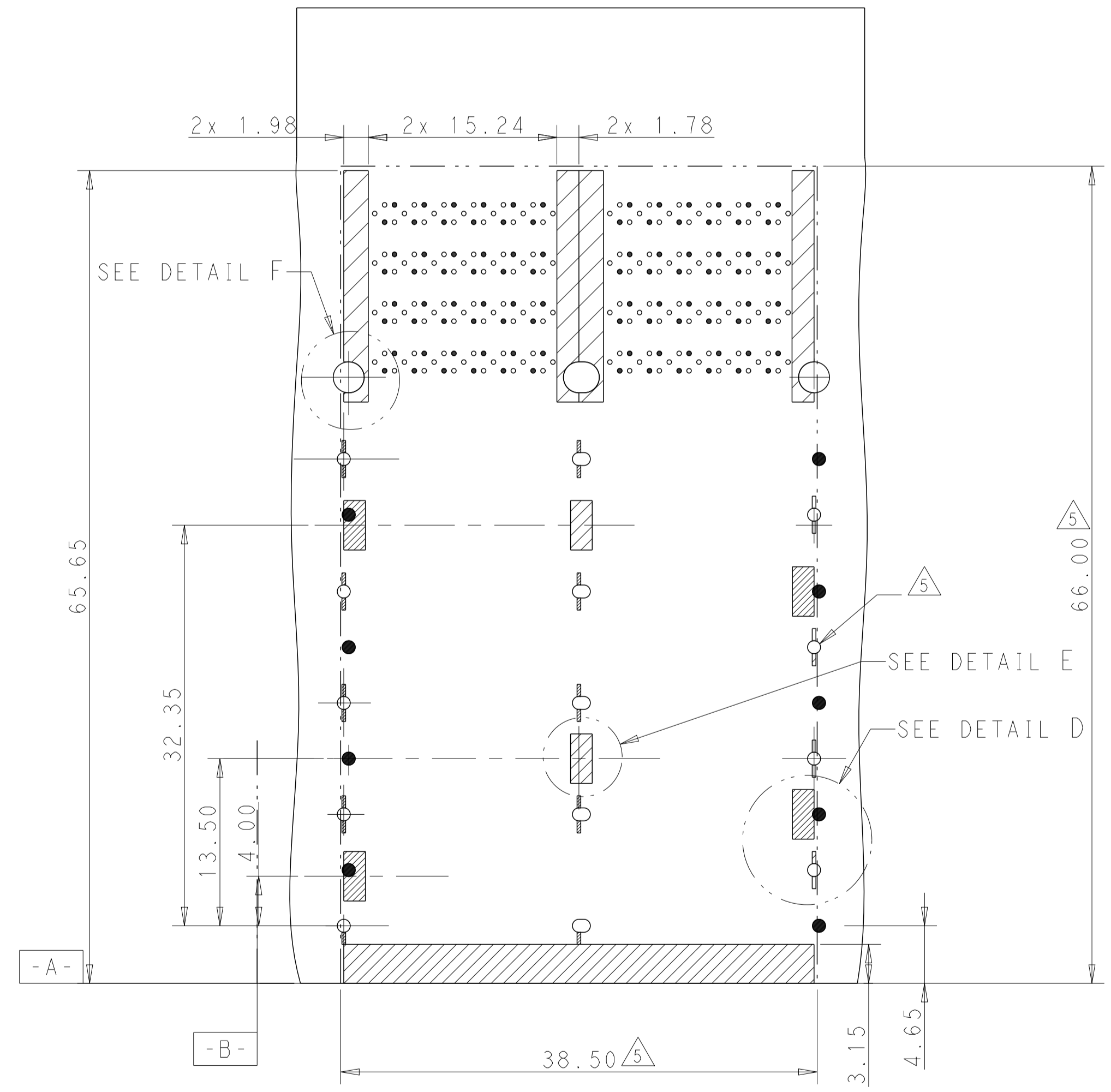
|                                                                                     |            |                                                                                             |                   |
|-------------------------------------------------------------------------------------|------------|---------------------------------------------------------------------------------------------|-------------------|
| THIS DRAWING IS A CONTROLLED DOCUMENT.                                              |            | OWN: TIM XUE 17AUG2016                                                                      | TE Connectivity   |
| DIMENSIONS: mm                                                                      |            | CHK: SEAN HAN 17AUG2016                                                                     |                   |
| TOLERANCES UNLESS OTHERWISE SPECIFIED:                                              |            | APVD: SEAN HAN 17AUG2016                                                                    |                   |
| 0 PLC ±<br>1 PLC ±0.25<br>2 PLC ±0.20<br>3 PLC ±<br>4 PLC ±<br>ANGLES ±<br>FINISH ± |            | NAME: zOSFP+ 2X2 4 INTERNAL LIGHT PIPES WITH EMI SPRING FINGERS, BELLY TO BELLY APPLICATION |                   |
| MATERIAL: SEE NOTE 1                                                                | SEE NOTE 2 | PRODUCT SPEC: 108-60102                                                                     | RESTRICTED TO: -  |
| CUSTOMER DRAWING                                                                    |            | APPLICATION SPEC: 114-60015                                                                 | SIZE: A1          |
| SCALE: 1:1                                                                          |            | WEIGHT: -                                                                                   | CAGE CODE: 100779 |
| SHEET 3 OF 11                                                                       |            | DRAWING NO: 2308171                                                                         | REV: 010          |

| LOC | DIST | REVISIONS |     |             |      |     |      |
|-----|------|-----------|-----|-------------|------|-----|------|
| GP  | 00   | P         | LTN | DESCRIPTION | DATE | DMN | APVD |
|     |      | -         |     | SEE SHEET 1 |      |     |      |

# 1-2308171-4 PCB FOOTPRINT

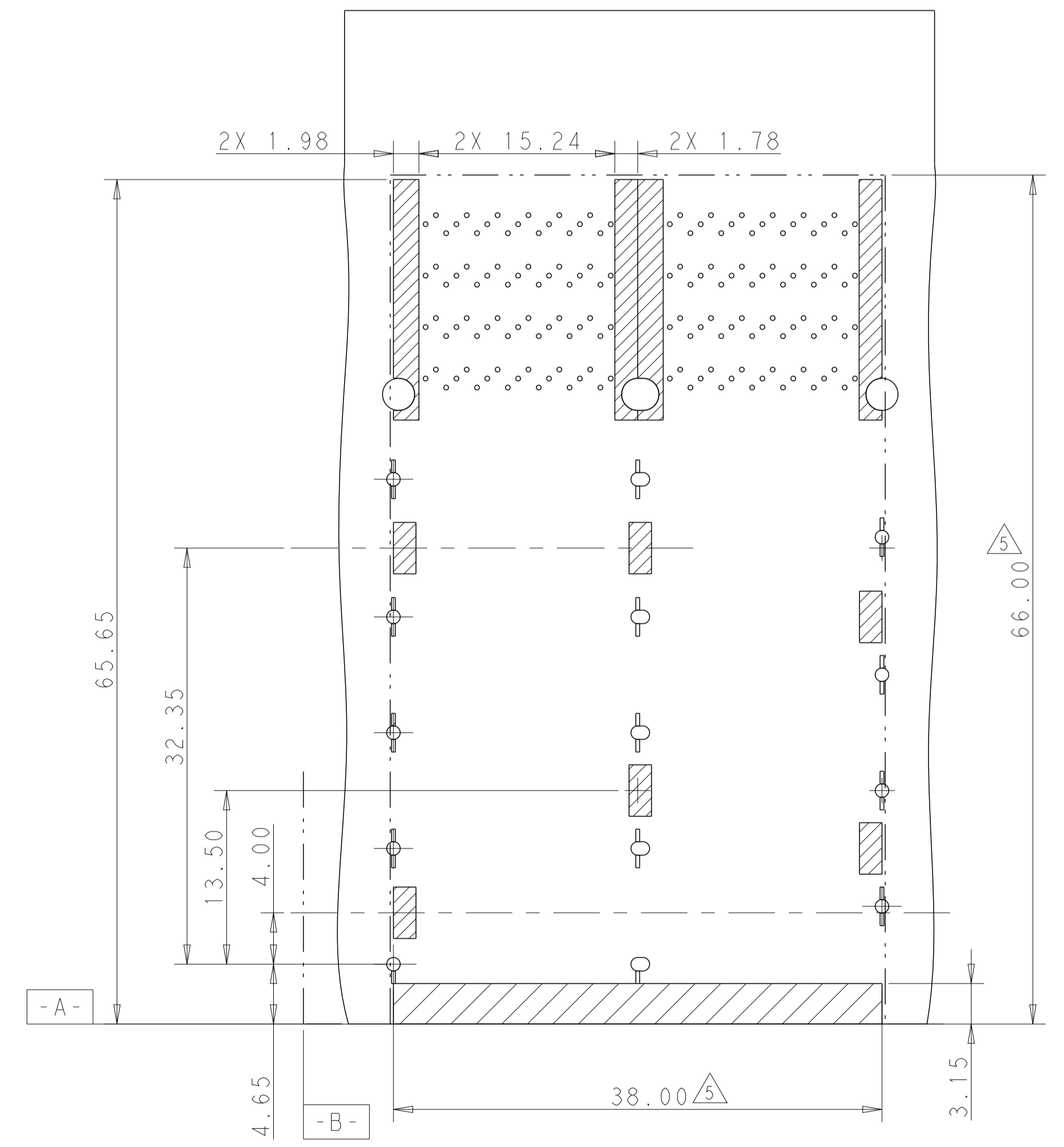
## BELLY TO BELLY PCB APPLICATION

KEEP OUT AREAS OF 1-2308171-4  
 PLS REFER TO PAGE 8 FOR OTHER DIMENSIONS OF PC BOARD  
 TOP COMPONENT SIDE OF BOARD(PCB TOLERANCE ±0.05)  
 SCALE 3:1



## SINGLE PCB APPLICATION

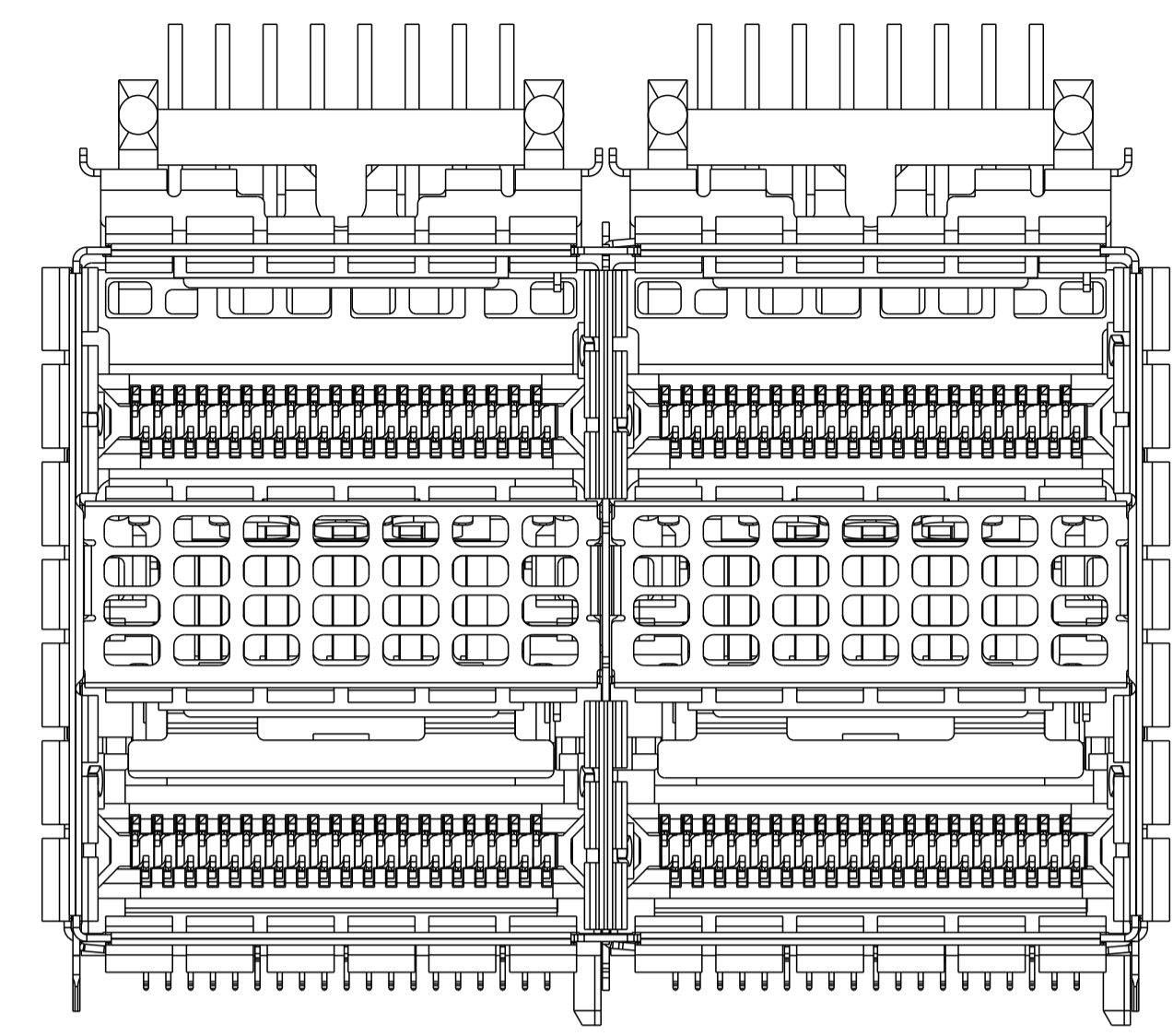
KEEP OUT AREAS OF 1-2308171-4 ARE THE SAME TO BELLY TO BELLY PCB APPLICATION SHOWN LEFT  
 PLS REFER TO PAGE 8 FOR OTHER DIMENSIONS OF PC BOARD  
 TOP COMPONENT SIDE OF BOARD(PCB TOLERANCE ±0.05)  
 SCALE 3:1



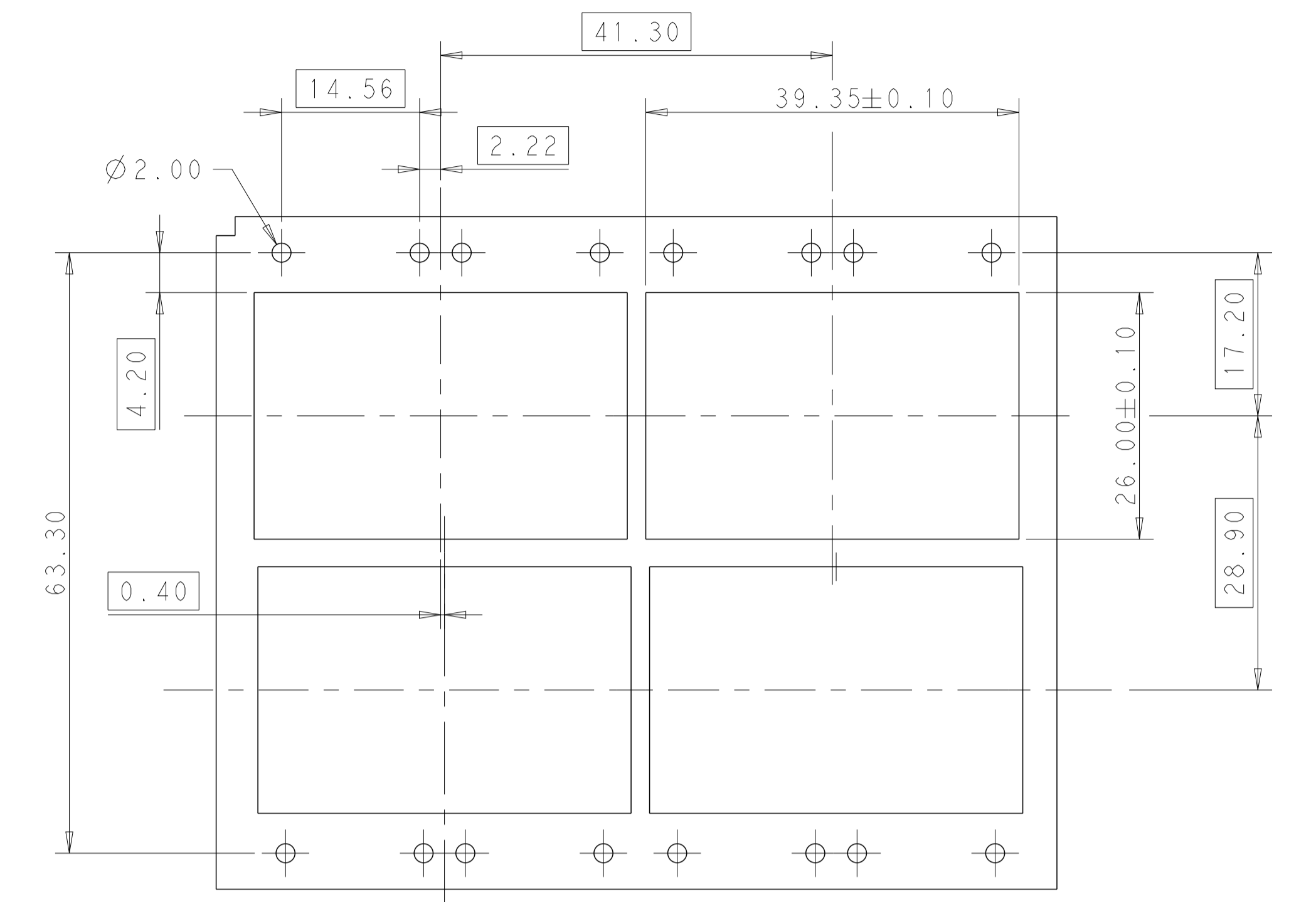
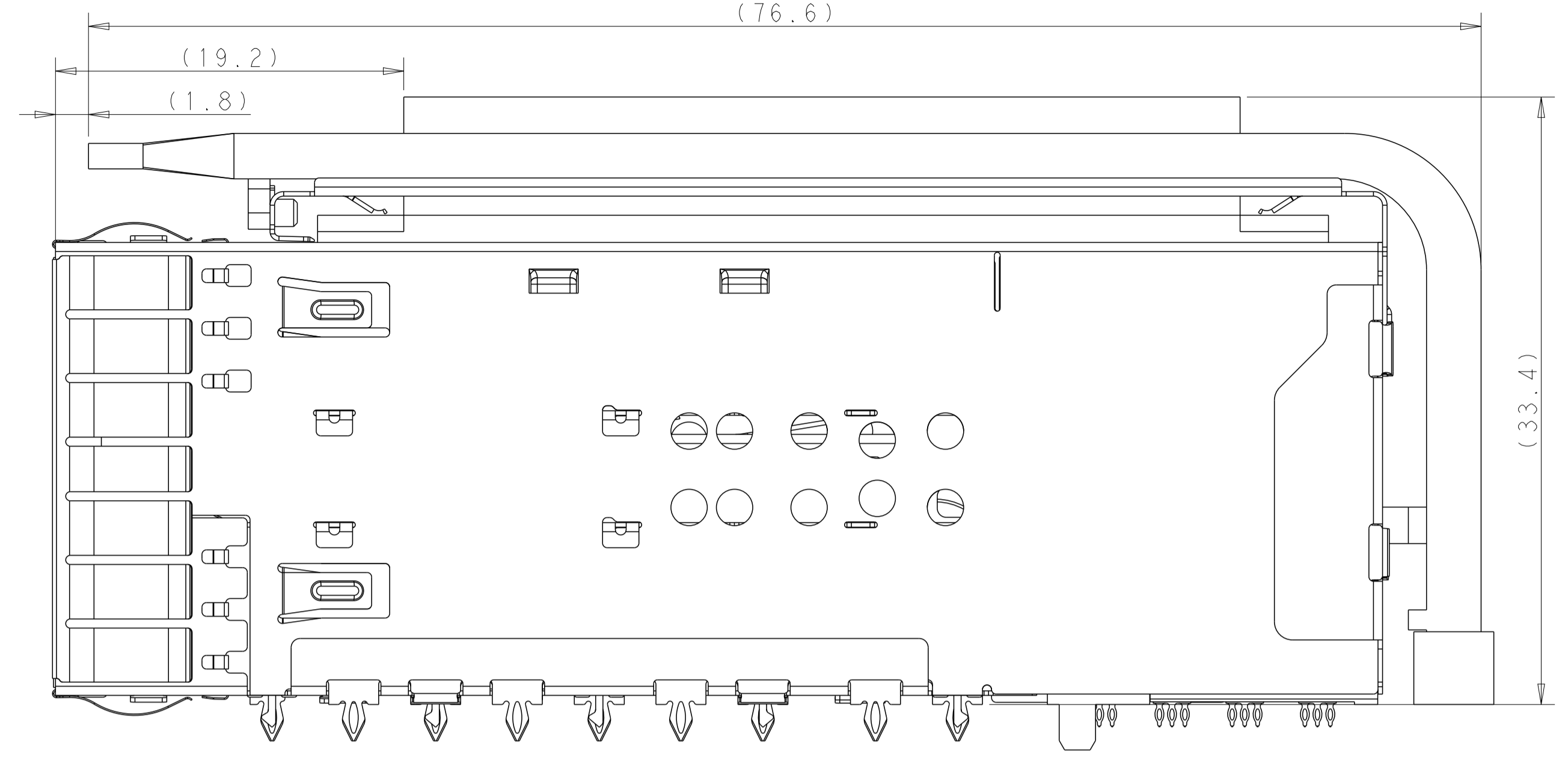
|                                        |             |                               |                                                                                               |
|----------------------------------------|-------------|-------------------------------|-----------------------------------------------------------------------------------------------|
| THIS DRAWING IS A CONTROLLED DOCUMENT. |             | DMN<br>TIM XUE<br>17AUG2016   | TE Connectivity                                                                               |
| DIMENSIONS: mm                         |             | CHK<br>SEAN HAN<br>17AUG2016  |                                                                                               |
| TOLERANCES UNLESS OTHERWISE SPECIFIED: |             | APVD<br>SEAN HAN<br>17AUG2016 | NAME<br>zQSFP+ 2X2.4 INTERNAL LIGHT PIPES WITH EMI SPRING FINGERS, BELLY TO BELLY APPLICATION |
| 0 PLC ±                                | 1 PLC ±0.25 | PRODUCT SPEC                  | 108-60102                                                                                     |
| 2 PLC ±0.20                            | 3 PLC ±     | APPLICATION SPEC              | 114-60015                                                                                     |
| 4 PLC ±                                | ANGLES ±    | SIZE                          | 114-60015                                                                                     |
| MATERIAL                               | FINISH      | WEIGHT                        | A100779C=2308171                                                                              |
| SEE NOTE 1                             | SEE NOTE 2  | CUSTOMER DRAWING              | SCALE 1:1 SHEET 4 OF 11 REV 010                                                               |

2-2308171-0 AS SHOWN  
 (76.6)

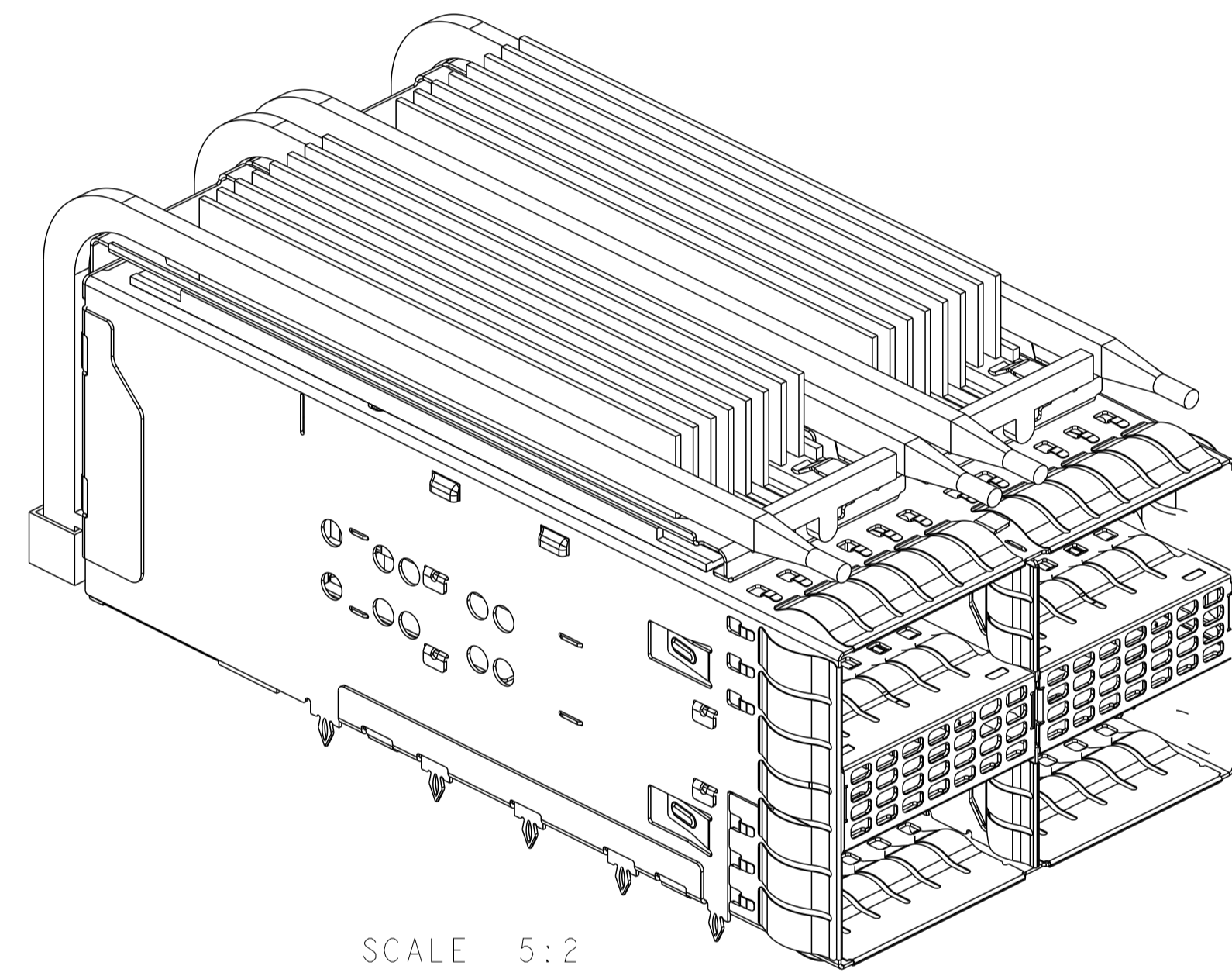
| LOC | DIST | REVISIONS |     |             |      |     |      |
|-----|------|-----------|-----|-------------|------|-----|------|
| GP  | 00   | P         | LYR | DESCRIPTION | DATE | OWN | APVD |
|     |      | -         |     | SEE SHEET 1 |      |     |      |



2-2308171-0  
 SCALE 4:1

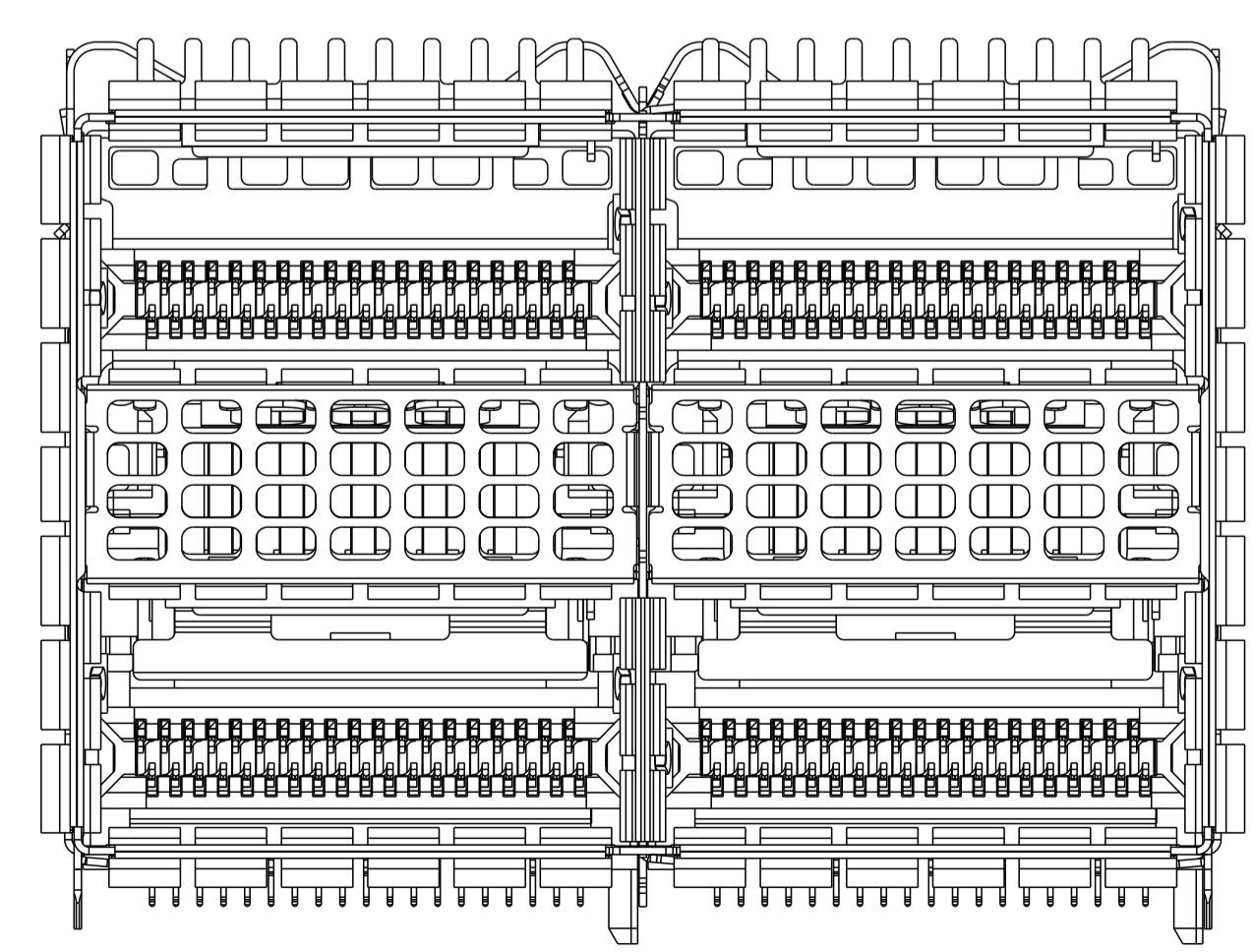


2-2308171-0 PANEL  
 SCALE 2:1

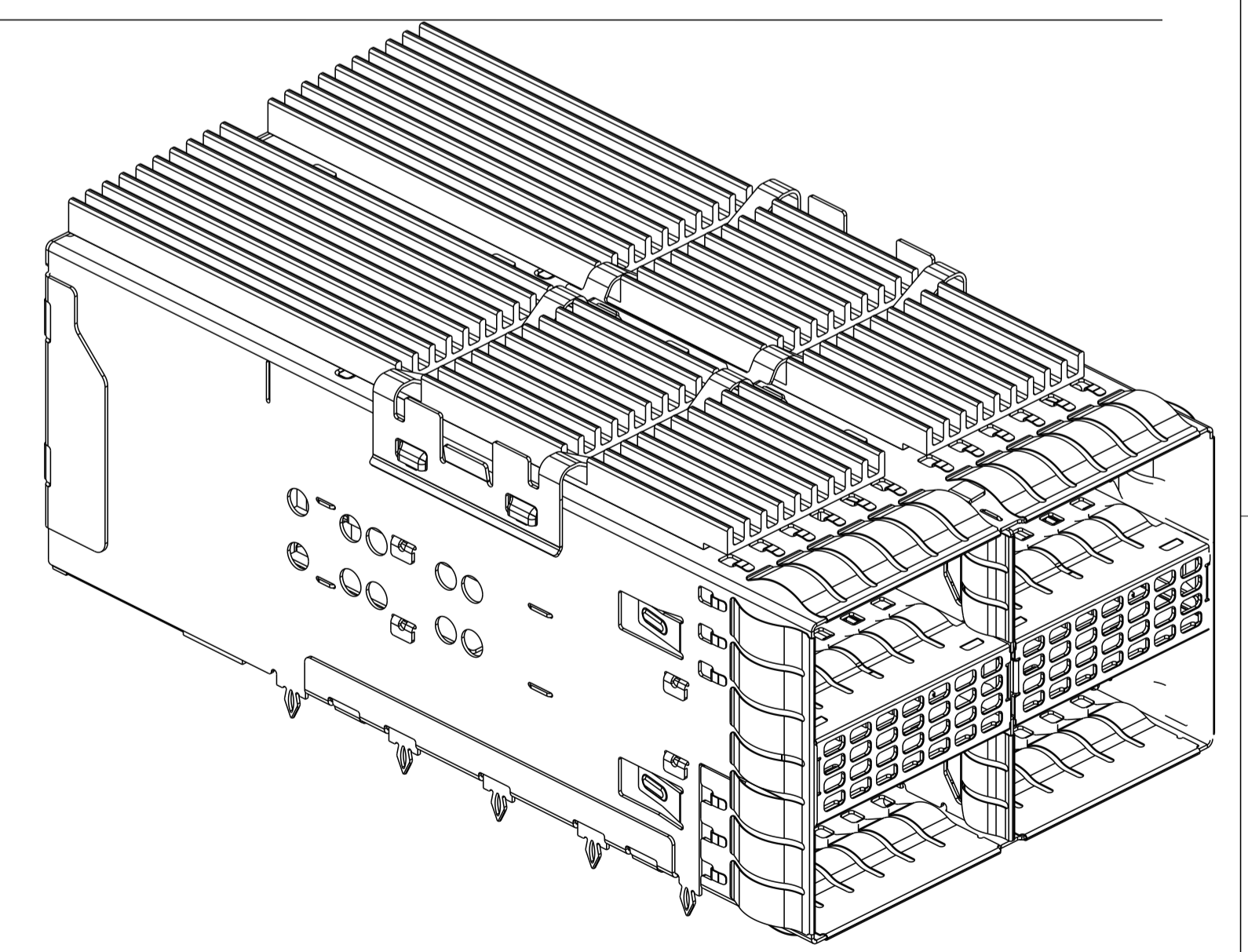
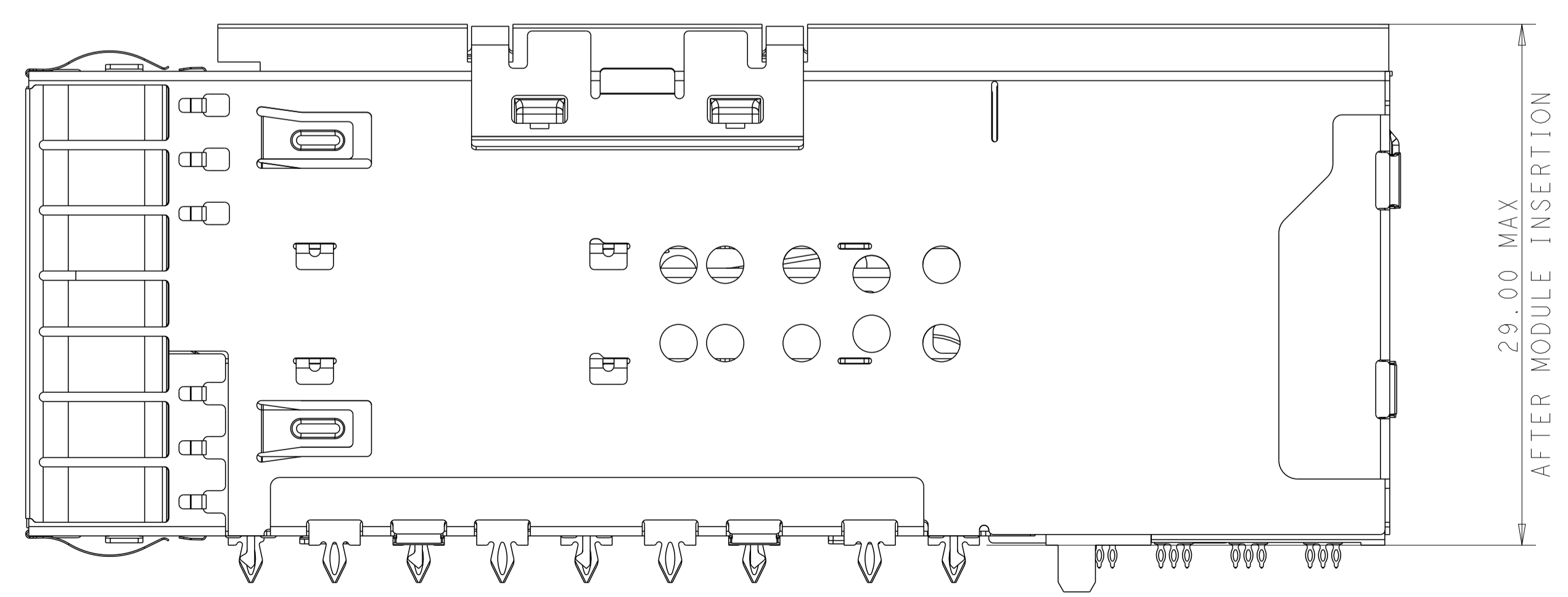


SCALE 5:2

2-2308171-2 AS SHOWN (INCLUDE TOP AND INTERNAL HEATSINK)  
 OTHERS ARE THE SAME AS 2-2308171-0.



SCALE 4:1



THIS DRAWING IS A CONTROLLED DOCUMENT. OWN: TIM XUE 17AUG2016  
 CHK: SEAN HAN 17AUG2016  
 APVD: SEAN HAN 17AUG2016

TE Connectivity

SCALE 5:2

NAME: zOSFP+ 2X2 4 INTERNAL LIGHT PIPES WITH EMI SPRING FINGERS, BELLY TO BELLY APPLICATION

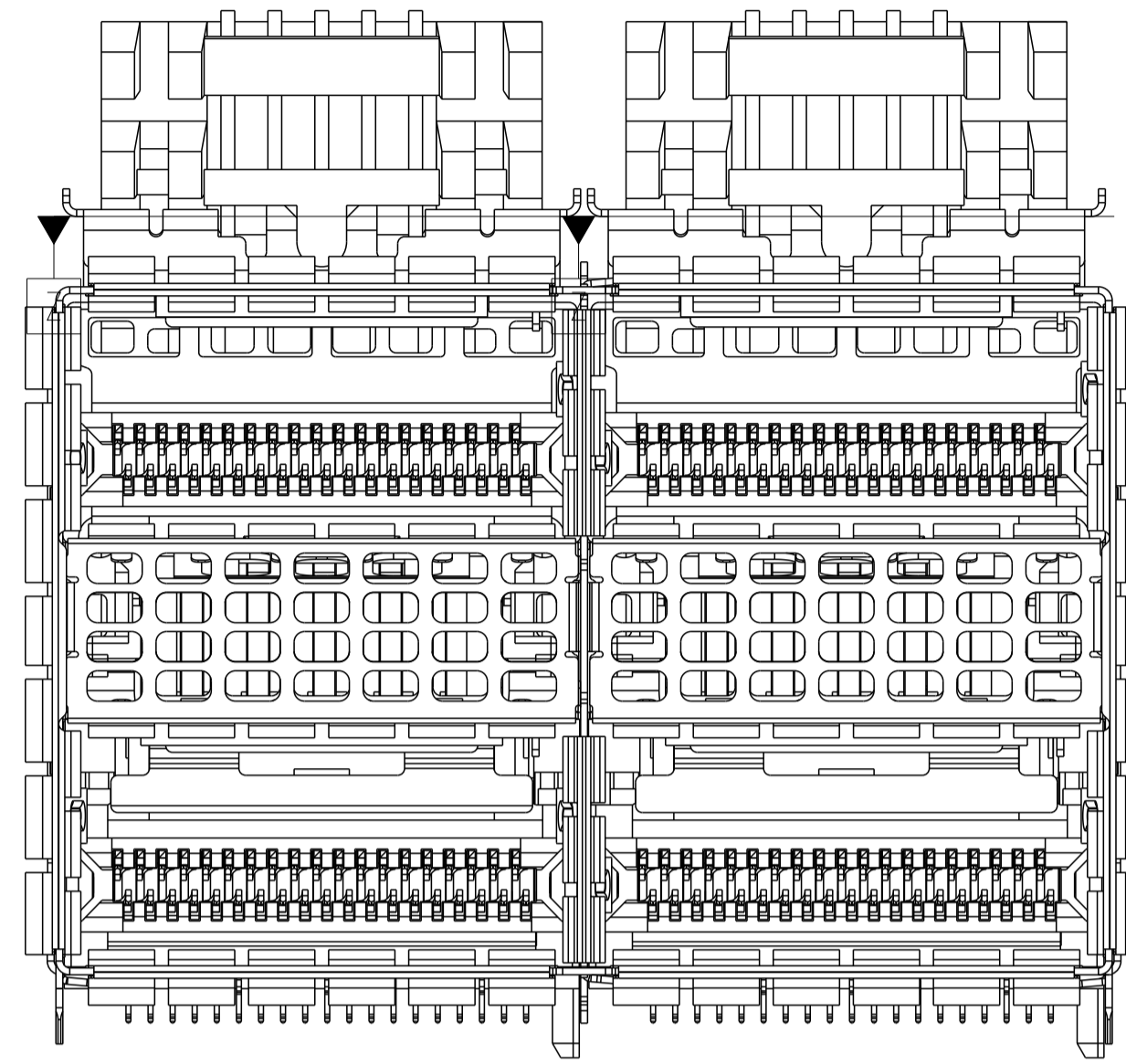
PRODUCT SPEC: 108-60102  
 APPLICATION SPEC: 114-60015

SIZE: 114-60015  
 CAGE CODE: A100779  
 DRAWING NO: C=2308171

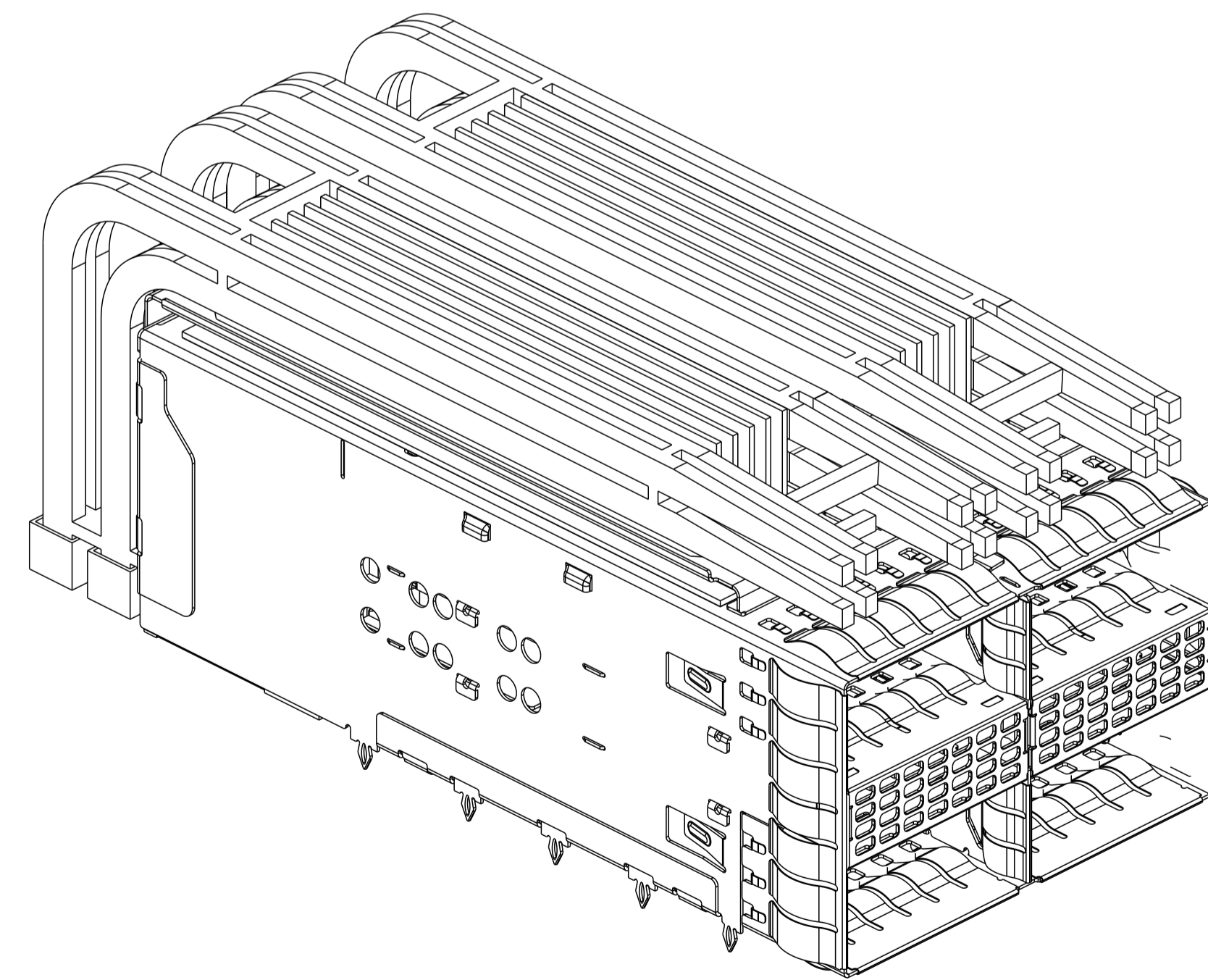
RESTRICTED TO: CUSTOMER DRAWING

SCALE: 1:1 SHEET 5 OF 11

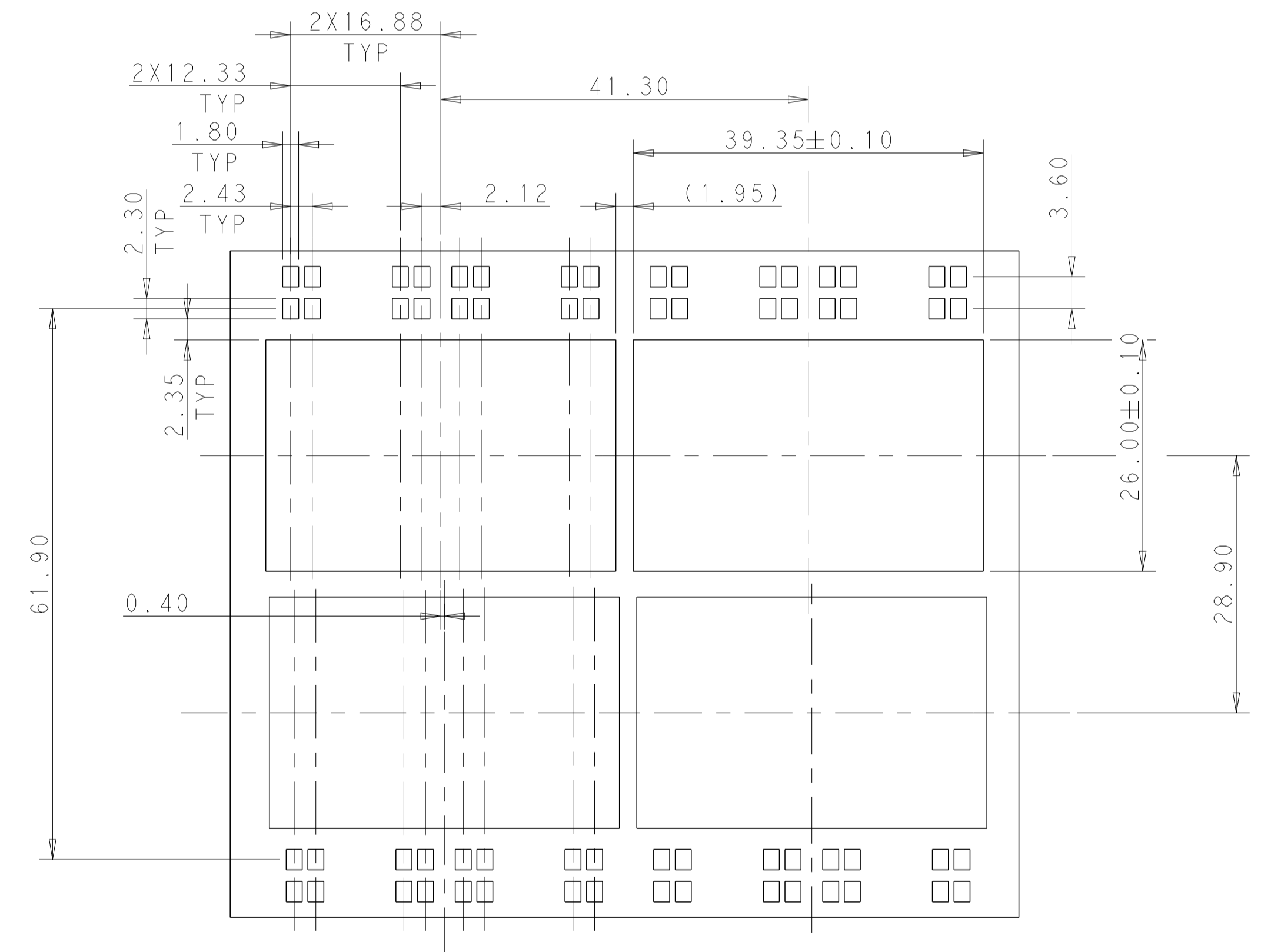
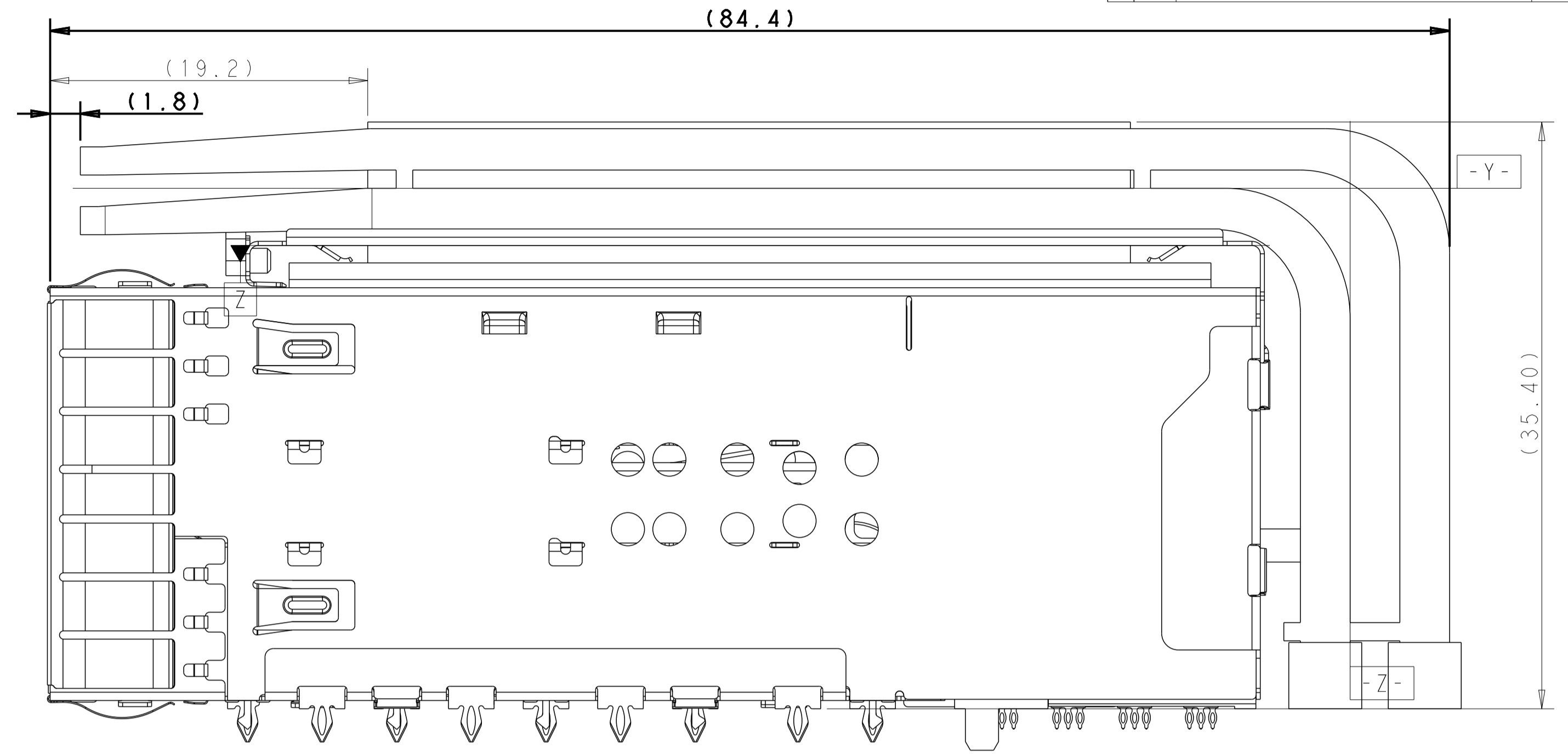
2-2308171-1 AS SHOWN



2-2308171-1  
SCALE 4:1



SCALE 5:2

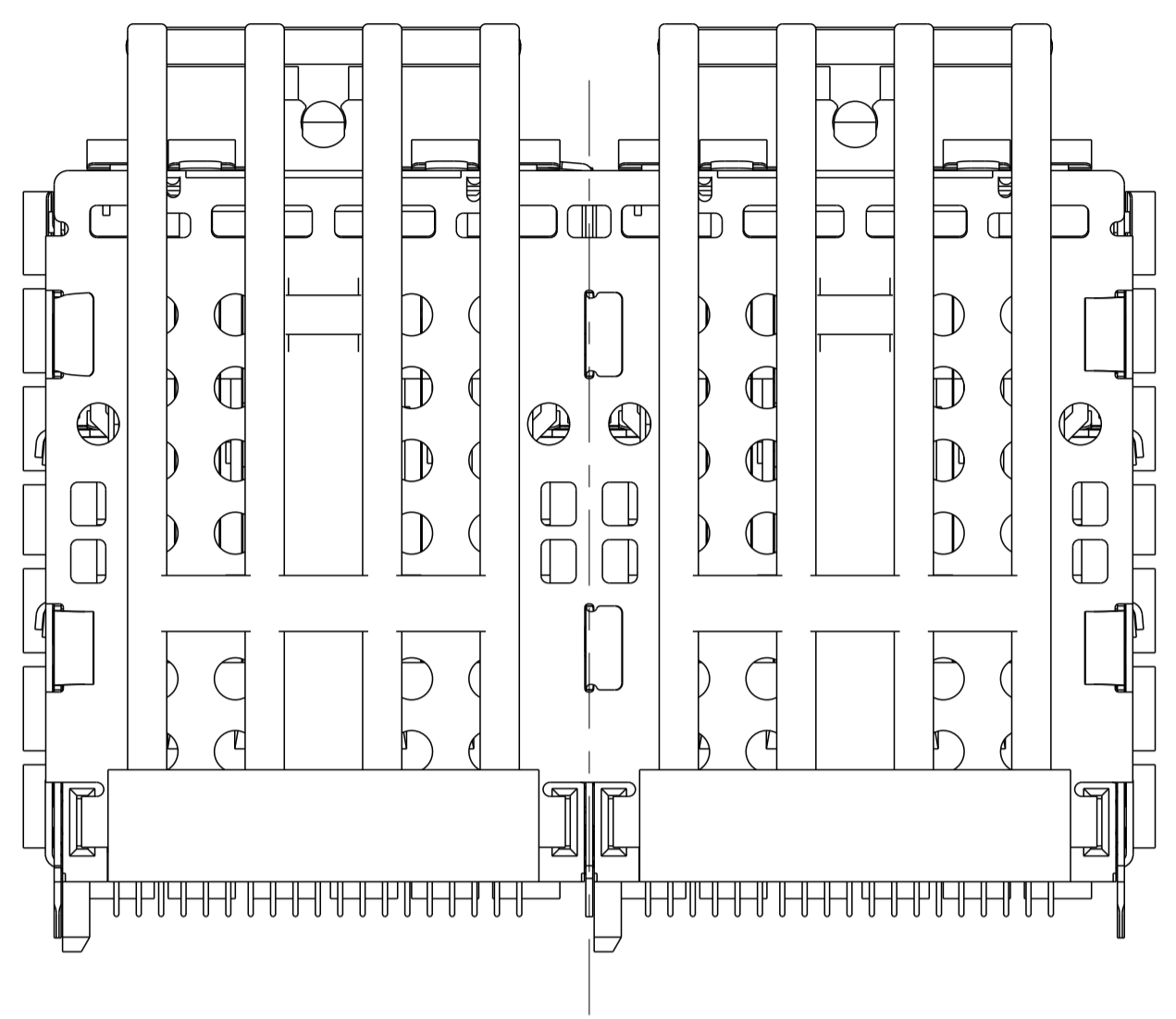


2-2308171-1 PANEL  
SCALE 2:1

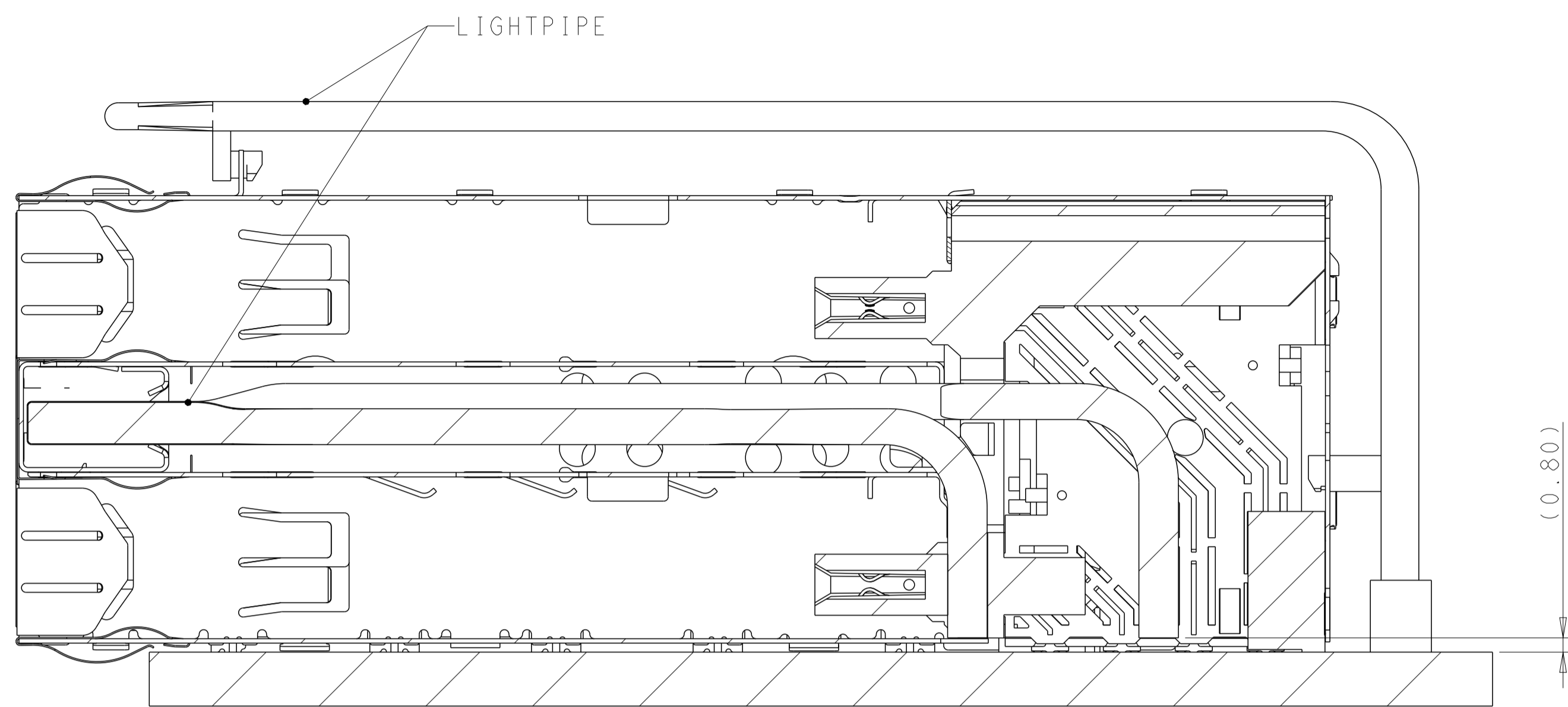
| LOC | DIST | REVISIONS |     |             |      |     |      |
|-----|------|-----------|-----|-------------|------|-----|------|
| GP  | 00   | P         | LYN | DESCRIPTION | DATE | OWN | APVD |
|     |      | -         |     | SEE SHEET 1 |      |     |      |

|                                                                                     |  |                               |                     |                                                                                                     |
|-------------------------------------------------------------------------------------|--|-------------------------------|---------------------|-----------------------------------------------------------------------------------------------------|
| THIS DRAWING IS A CONTROLLED DOCUMENT.                                              |  | OWN<br>TIM XUE<br>17AUG2016   | <br>TE Connectivity | NAME<br>zOSFP+ 2X2.4 INTERNAL LIGHT PIPES<br>WITH EMI SPRING FINGERS,<br>BELLY TO BELLY APPLICATION |
| DIMENSIONS:                                                                         |  | CHK<br>SEAN HAN<br>17AUG2016  |                     |                                                                                                     |
| TOLERANCES UNLESS OTHERWISE SPECIFIED:                                              |  | APVD<br>SEAN HAN<br>17AUG2016 |                     |                                                                                                     |
| mm                                                                                  |  | PRODUCT SPEC                  |                     |                                                                                                     |
| 0 PLC ±<br>1 PLC ±0.25<br>2 PLC ±0.20<br>3 PLC ±<br>4 PLC ±<br>ANGLES ±<br>FINISH ± |  | APPLICATION SPEC              | SIZE<br>A100779     | DRAWING NO<br>C=2308171                                                                             |
| MATERIAL<br>SEE NOTE 1                                                              |  | WEIGHT                        | CUSTOMER DRAWING    | RESTRICTED TO                                                                                       |
| SEE NOTE 2                                                                          |  | SCALE 1:1                     | SHEET 6 OF 11       | REV D10                                                                                             |

| LOC | DIST | REVISIONS   |      |     |      |
|-----|------|-------------|------|-----|------|
| P   | LYR  | DESCRIPTION | DATE | DMN | APVD |
| GP  | 00   | SEE SHEET 1 | -    | -   | -    |
|     |      |             |      |     |      |
|     |      |             |      |     |      |

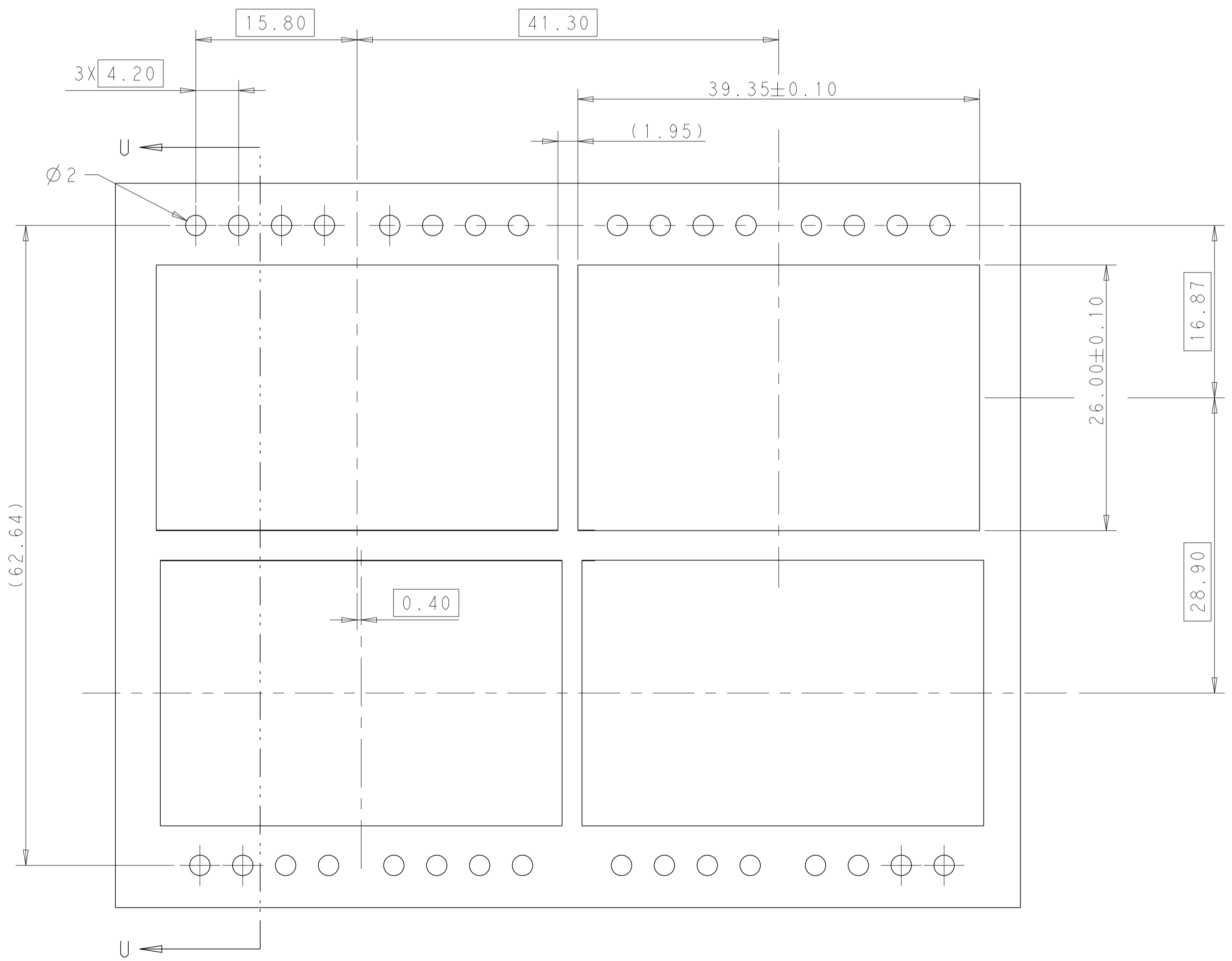


VIEW Y-Y

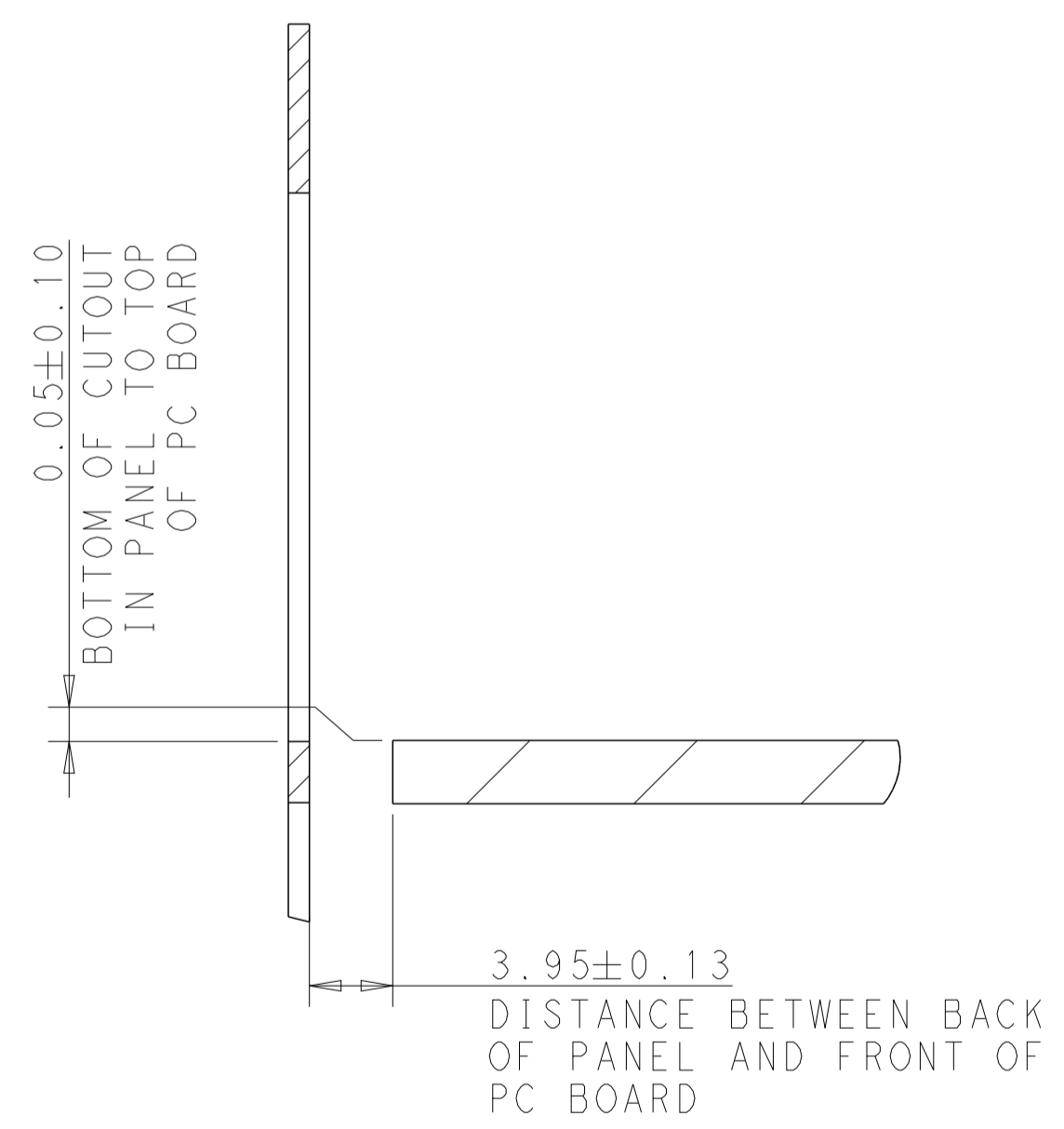


SECTION V-V  
SCALE 4:1

(0.80)  
RECOMMENDED 0805  
PACKAGE SMD CHIP  
LED LAMPS



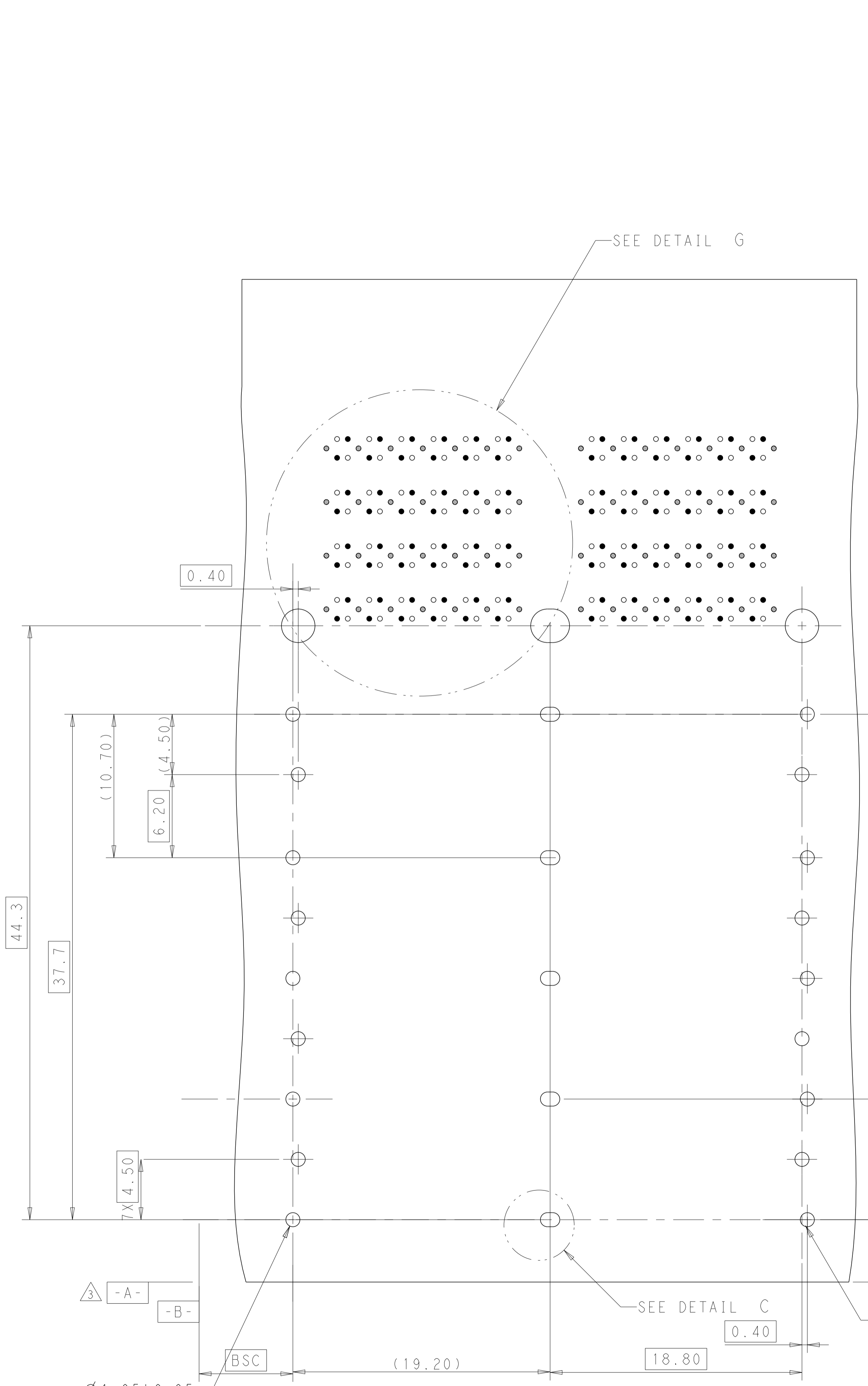
RECOMMENDED PANEL CUTOUT  
AND PC BOARD, PANEL POSITION  
SCALE 3:1



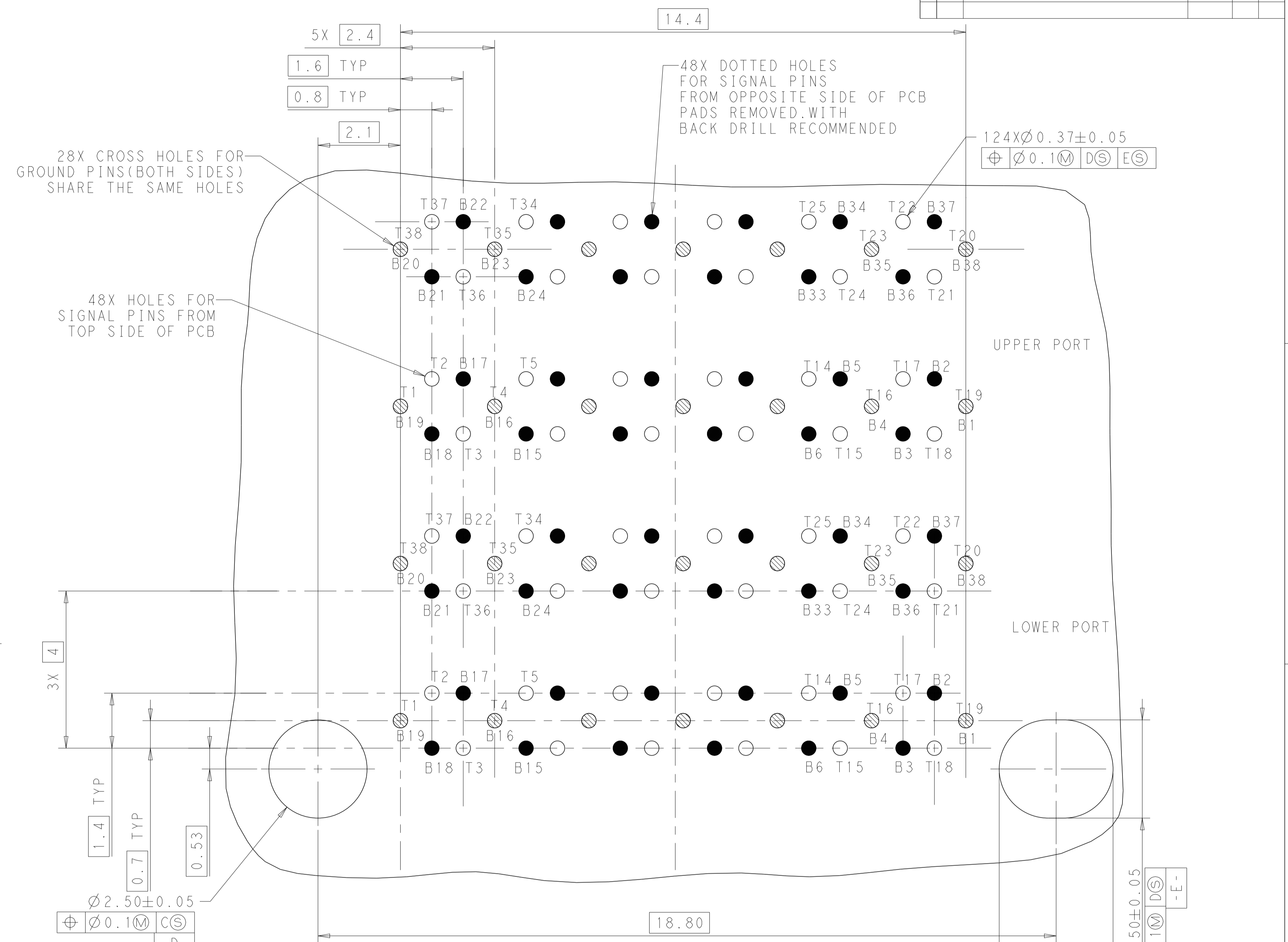
SECTION U-U

|                                        |             |                  |           |            |                                                                                                     |
|----------------------------------------|-------------|------------------|-----------|------------|-----------------------------------------------------------------------------------------------------|
| THIS DRAWING IS A CONTROLLED DOCUMENT. |             | DMN              | TIM XUE   | 17AUG2016  | TE Connectivity                                                                                     |
| DIMENSIONS:                            |             | CHK              | SEAN HAN  | 17AUG2016  |                                                                                                     |
| mm                                     | 0 PLC ±     | APVD             | SEAN HAN  | 17AUG2016  | NAME<br>zOSFP+ 2X2.4 INTERNAL LIGHT PIPES<br>WITH EMI SPRING FINGERS,<br>BELLY TO BELLY APPLICATION |
|                                        | 1 PLC ±0.25 | PRODUCT SPEC     |           |            |                                                                                                     |
|                                        | 2 PLC ±0.20 | APPLICATION SPEC |           |            |                                                                                                     |
|                                        | 3 PLC ±     | SIZE             | CAGE CODE | DRAWING NO |                                                                                                     |
|                                        | 4 PLC ±     | RESTRICTED TO    |           |            |                                                                                                     |
|                                        | ANGLES ±    | MATERIAL         |           |            |                                                                                                     |
|                                        | FINISH ±    | WEIGHT           |           |            |                                                                                                     |
| SEE NOTE 1                             | SEE NOTE 2  | CUSTOMER DRAWING |           | SCALE      | 1:1                                                                                                 |
|                                        |             |                  |           | SHEET      | 7 OF 11                                                                                             |
|                                        |             |                  |           | REV        | 010                                                                                                 |

| LOC | DIST | REV | DATE | BY | APPV |
|-----|------|-----|------|----|------|
| GP  | 00   |     |      |    |      |



RECOMMENDED PC BOARD LAYOUT  
 COMPONENT SIDE OF BOARD  
 (PCB TOLERANCE ±0.05)  
 SCALE 5:1



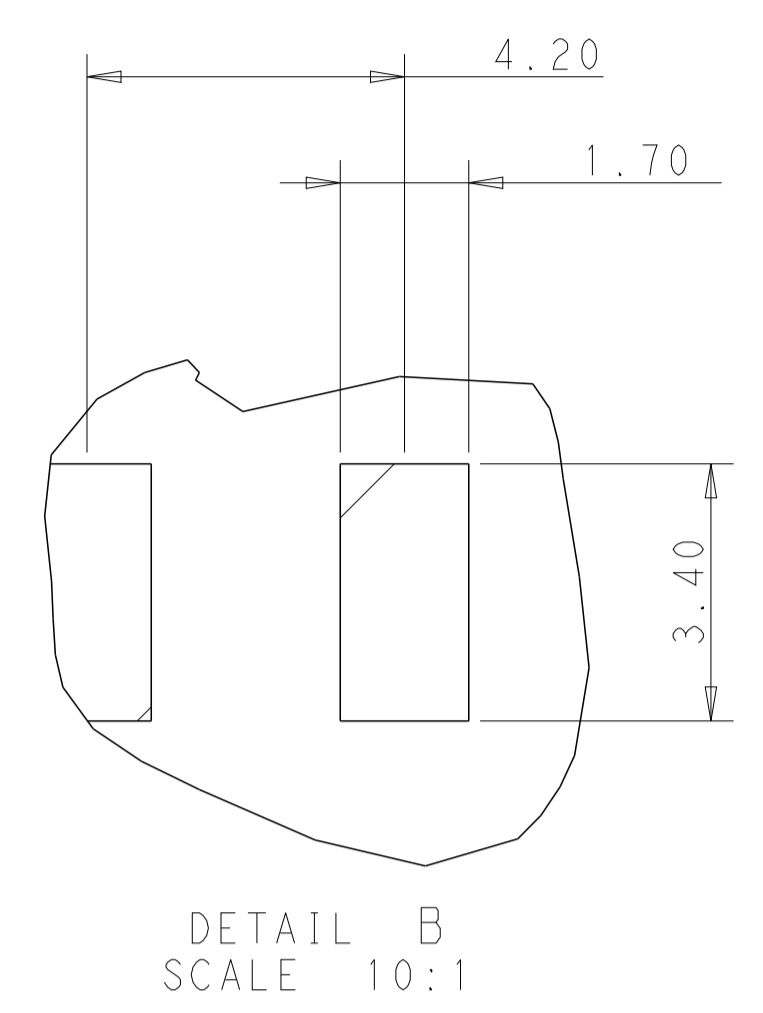
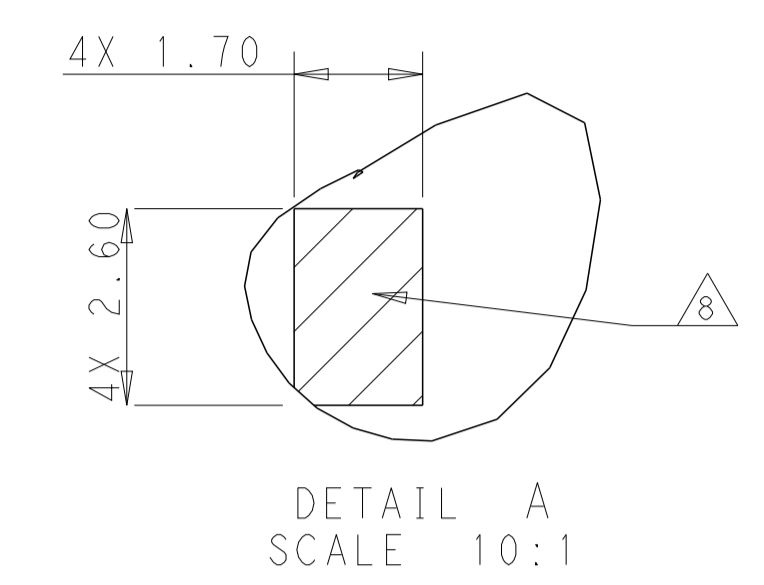
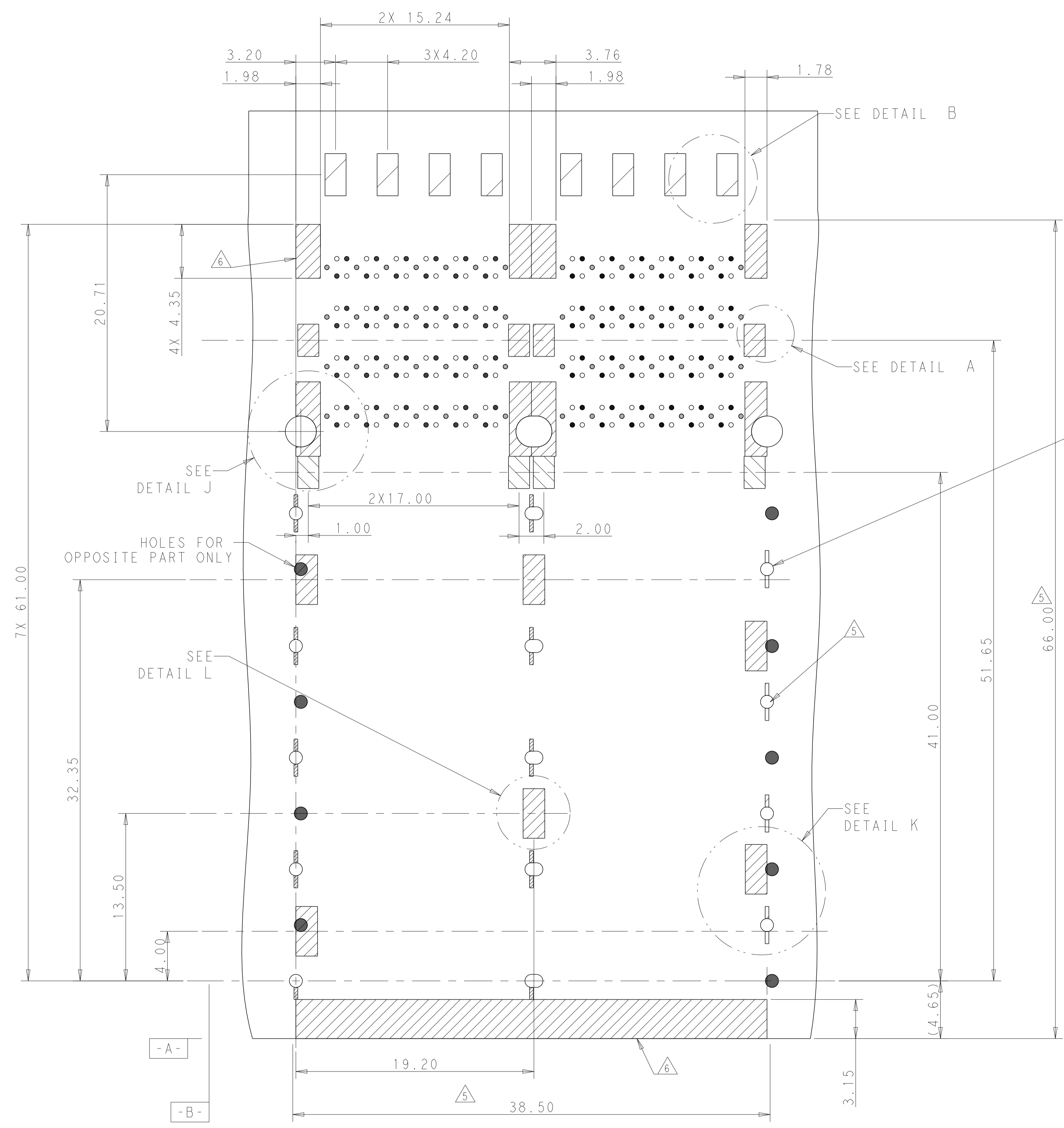
DETAIL G  
 SCALE 15:1

DETAIL C  
 SCALE 15:1

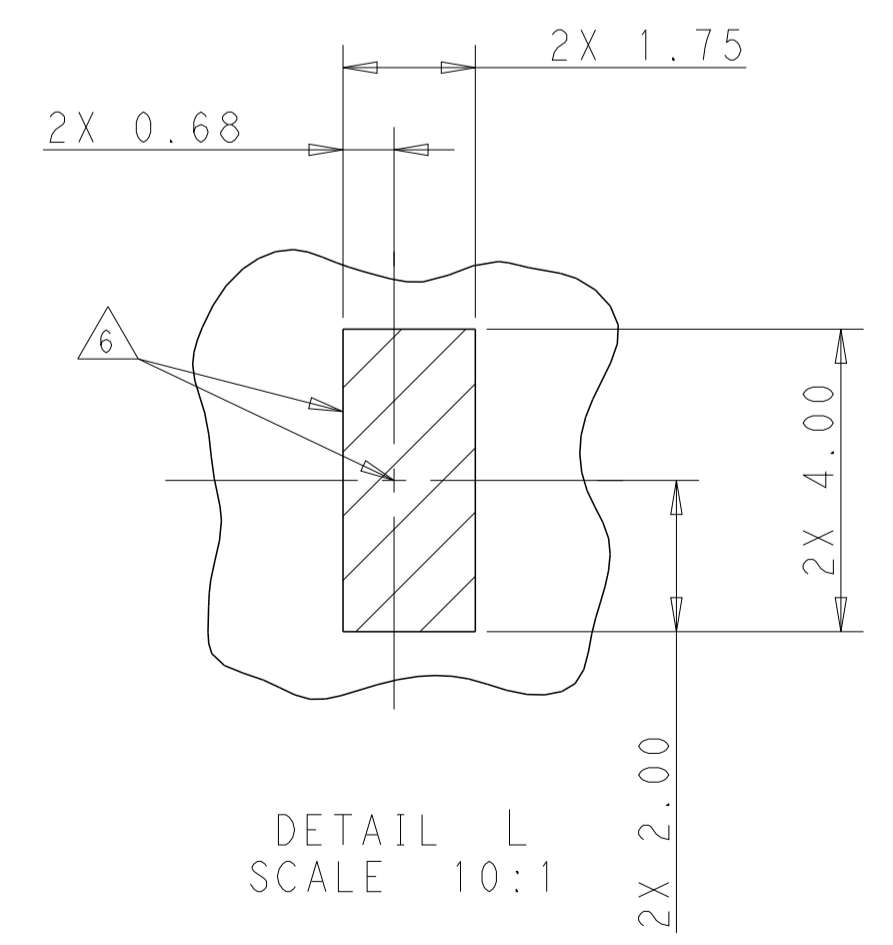
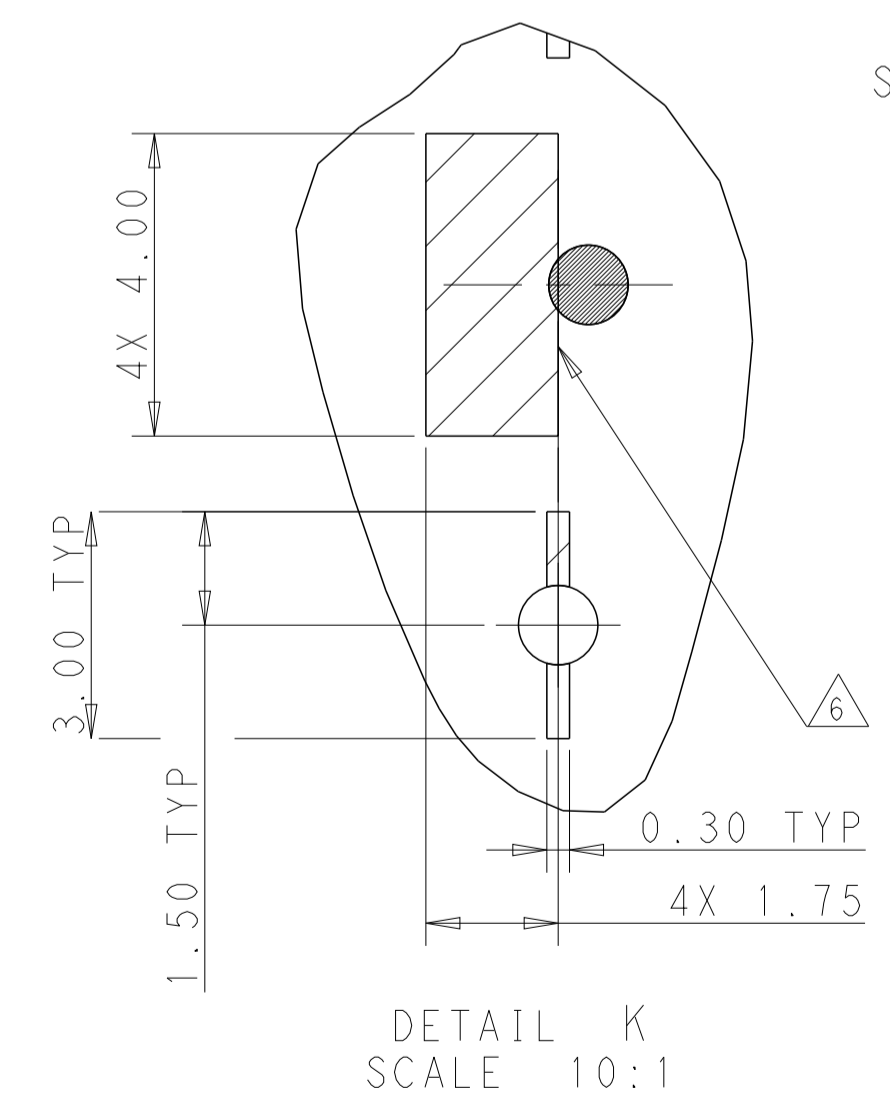
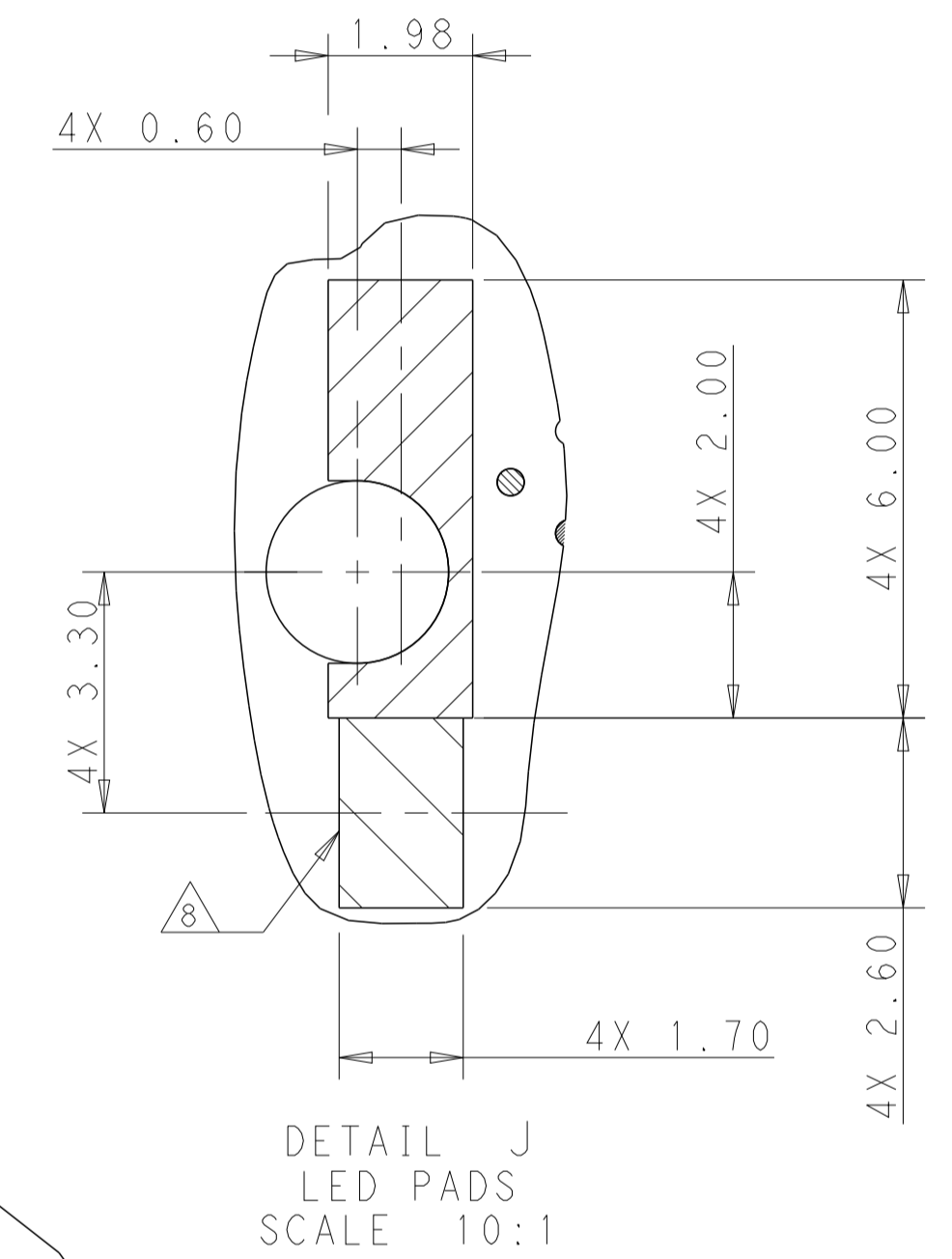
|                                        |                    |                          |                                                                                             |
|----------------------------------------|--------------------|--------------------------|---------------------------------------------------------------------------------------------|
| THIS DRAWING IS A CONTROLLED DOCUMENT. |                    | OWN: TIM XUE 17AUG2016   | TE Connectivity                                                                             |
| DIMENSIONS: mm                         |                    | CHK: SEAN HAN 17AUG2016  |                                                                                             |
| TOLERANCES UNLESS OTHERWISE SPECIFIED: |                    | APPV: SEAN HAN 17AUG2016 | NAME: zOSFP+ 2X2.4 INTERNAL LIGHT PIPES WITH EMI SPRING FINGERS, BELLY TO BELLY APPLICATION |
| 0 PLC ±                                | 1 PLC ±0.25        | PRODUCT SPEC             | SIZE: 108-60102                                                                             |
| 2 PLC ±0.20                            | 3 PLC ±            | APPLICATION SPEC         | SCALE: 1:1                                                                                  |
| 4 PLC ±                                | ANGLES ±           | FINISH ±                 | SHEET 8 OF 11                                                                               |
| MATERIAL: SEE NOTE 1                   | FINISH: SEE NOTE 2 | WEIGHT: 114-60015        | REVISION: D10                                                                               |
| CUSTOMER DRAWING                       |                    | A100779C=2308171         | SCALE: 1:1                                                                                  |



| LOC |    | DIST |     | REVISONS    |      |     |      |
|-----|----|------|-----|-------------|------|-----|------|
| GP  | 00 | P    | LYR | DESCRIPTION | DATE | DMN | APVD |
|     |    | -    |     | SEE SHEET 1 |      |     |      |



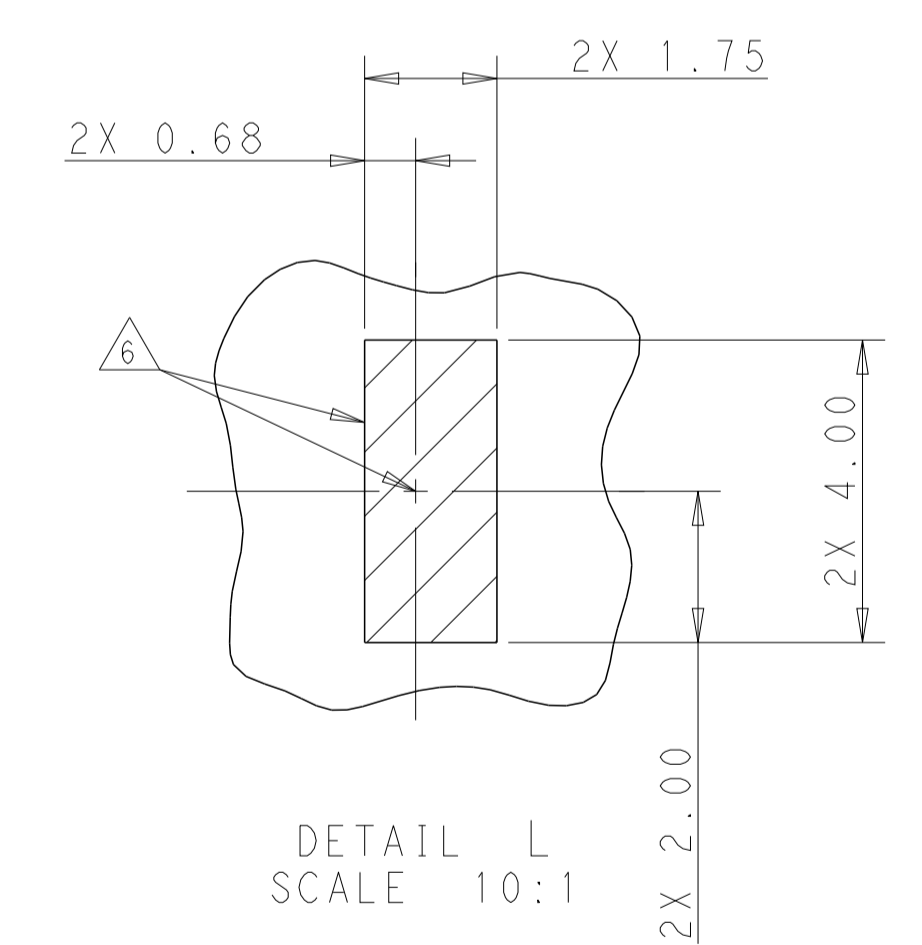
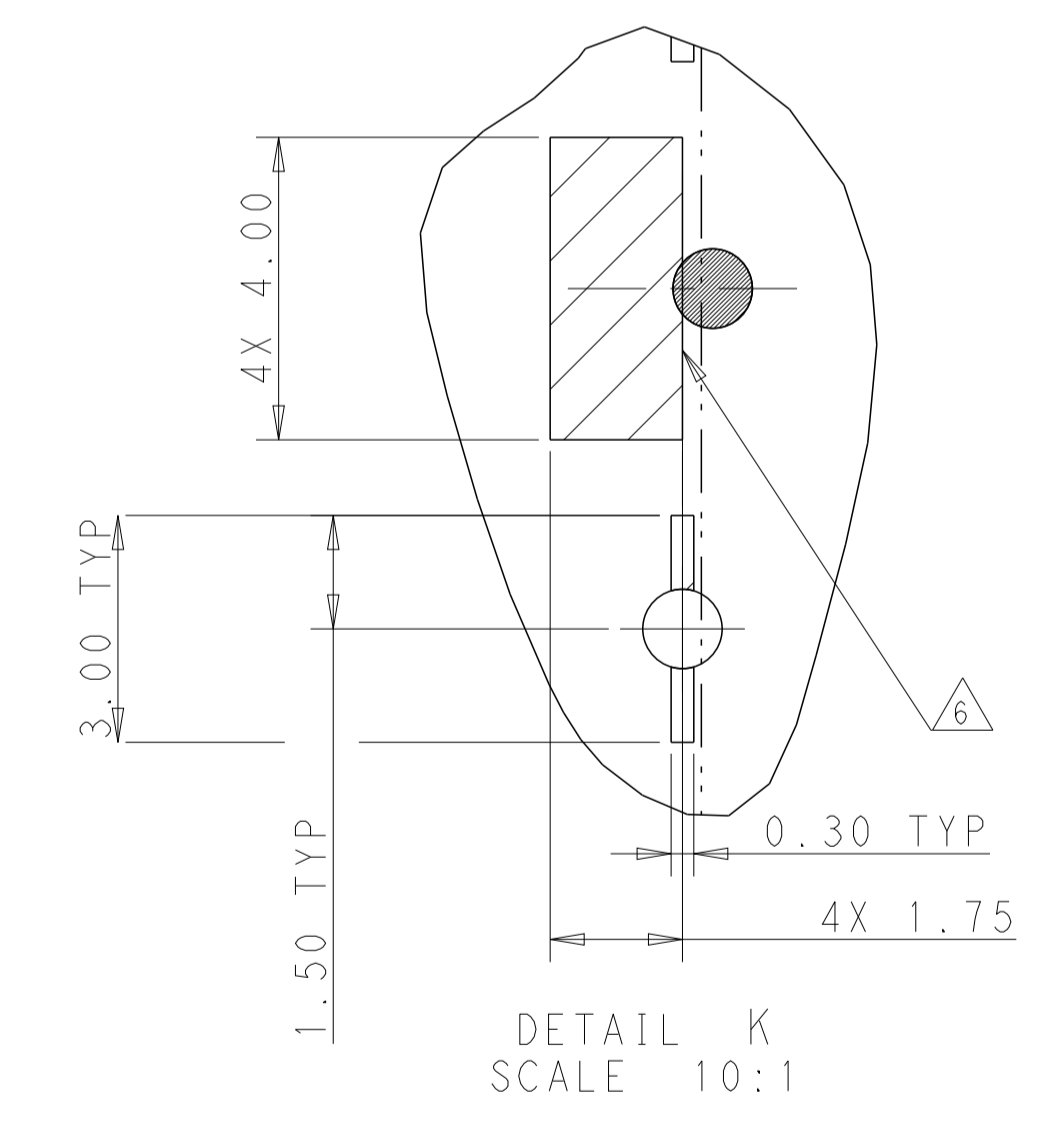
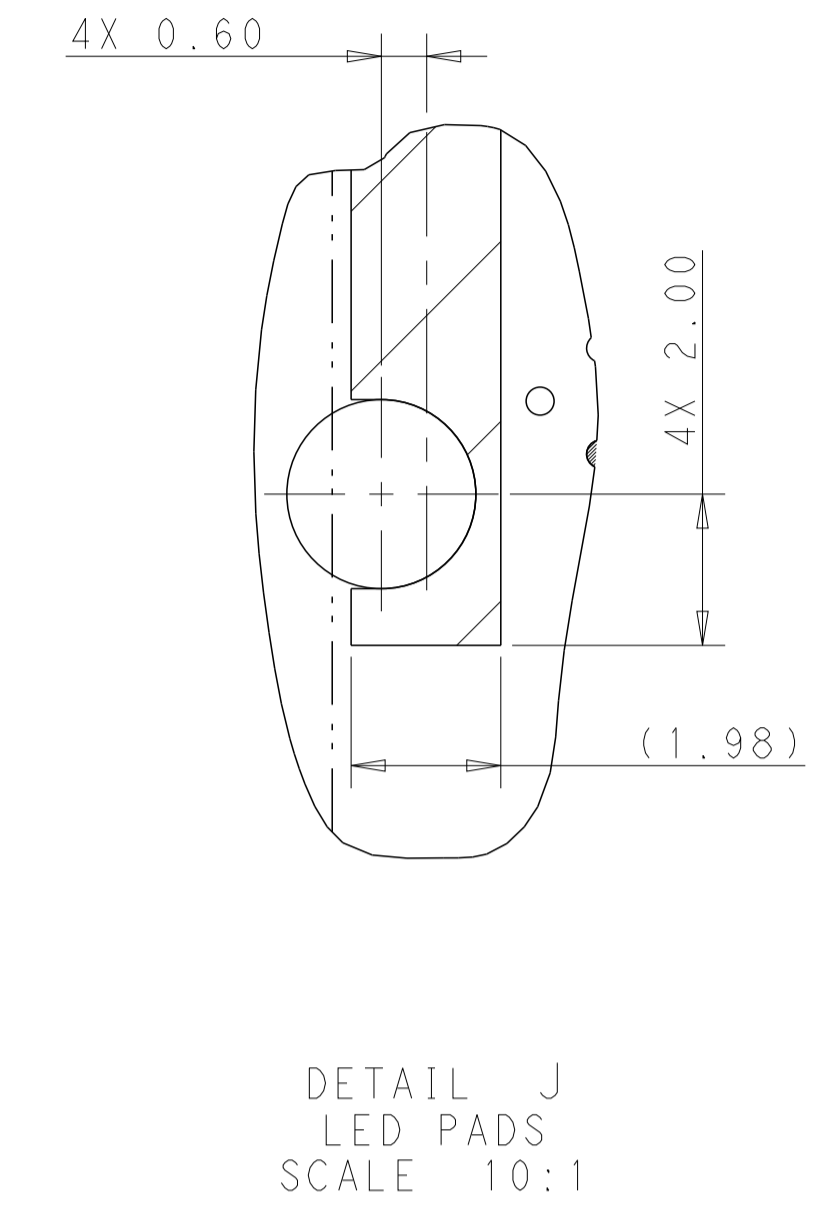
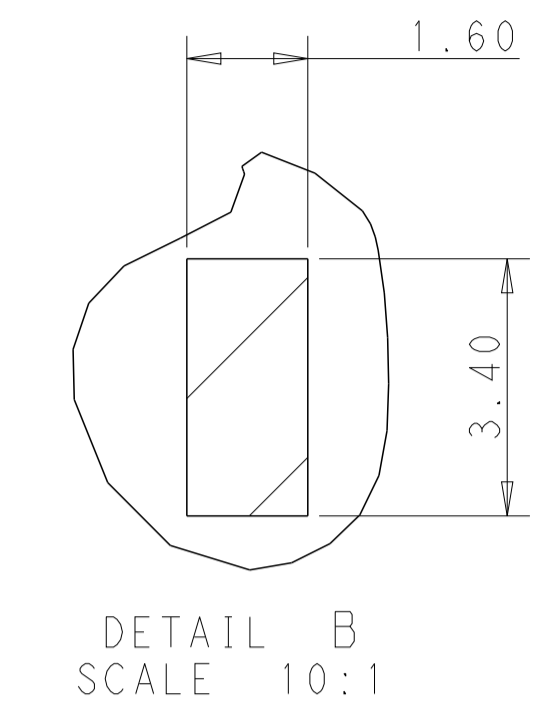
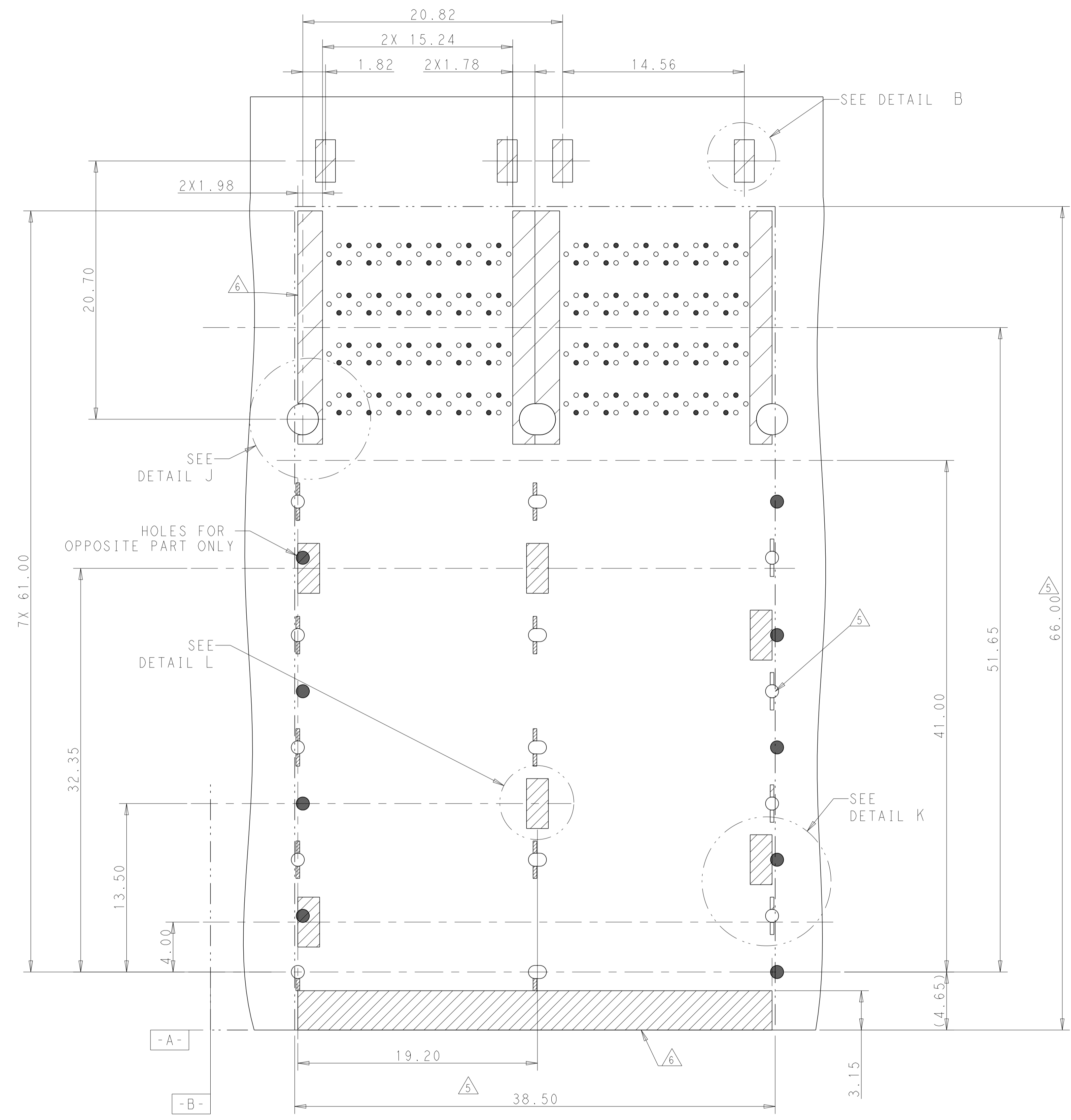
OPTIONAL TO REMOVE THIS HOLE FOR 1-2308171-0 AND 1-2308171-1



KEEPOUT AREAS  
 TOP COMPONENT SIDE OF BOARD  
 (PCB TOLERANCE ±0.05)  
 SCALE 5:1

|                                                                         |  |            |          |                         |                                                                                                                                                                                                                                          |
|-------------------------------------------------------------------------|--|------------|----------|-------------------------|------------------------------------------------------------------------------------------------------------------------------------------------------------------------------------------------------------------------------------------|
| THIS DRAWING IS A CONTROLLED DOCUMENT.                                  |  | DMN        | TIM XUE  | 17AUG2016               | TE Connectivity<br>NAME zOSFP+ 2X2 4 INTERNAL LIGHT PIPES WITH EMI SPRING FINGERS, BELLY TO BELLY APPLICATION<br>PRODUCT SPEC 108-60102<br>APPLICATION SPEC 114-60015<br>SIZE CAGE CODE DRAWING NO. 114-60015<br>WEIGHT<br>RESTRICTED TO |
| DIMENSIONS:                                                             |  | CHK        | SEAN HAN | 17AUG2016               |                                                                                                                                                                                                                                          |
| mm                                                                      |  | APVD       | SEAN HAN | 17AUG2016               |                                                                                                                                                                                                                                          |
| 0 PLC ±<br>1 PLC ±0.25<br>2 PLC ±0.20<br>3 PLC ±<br>4 PLC ±<br>ANGLES ± |  | MATERIAL   |          | SCALE 1:1 SHEET 9 OF 11 |                                                                                                                                                                                                                                          |
| SEE NOTE 1                                                              |  | SEE NOTE 2 |          | CUSTOMER DRAWING        | A100779C=2308171<br>REVISION 10                                                                                                                                                                                                          |

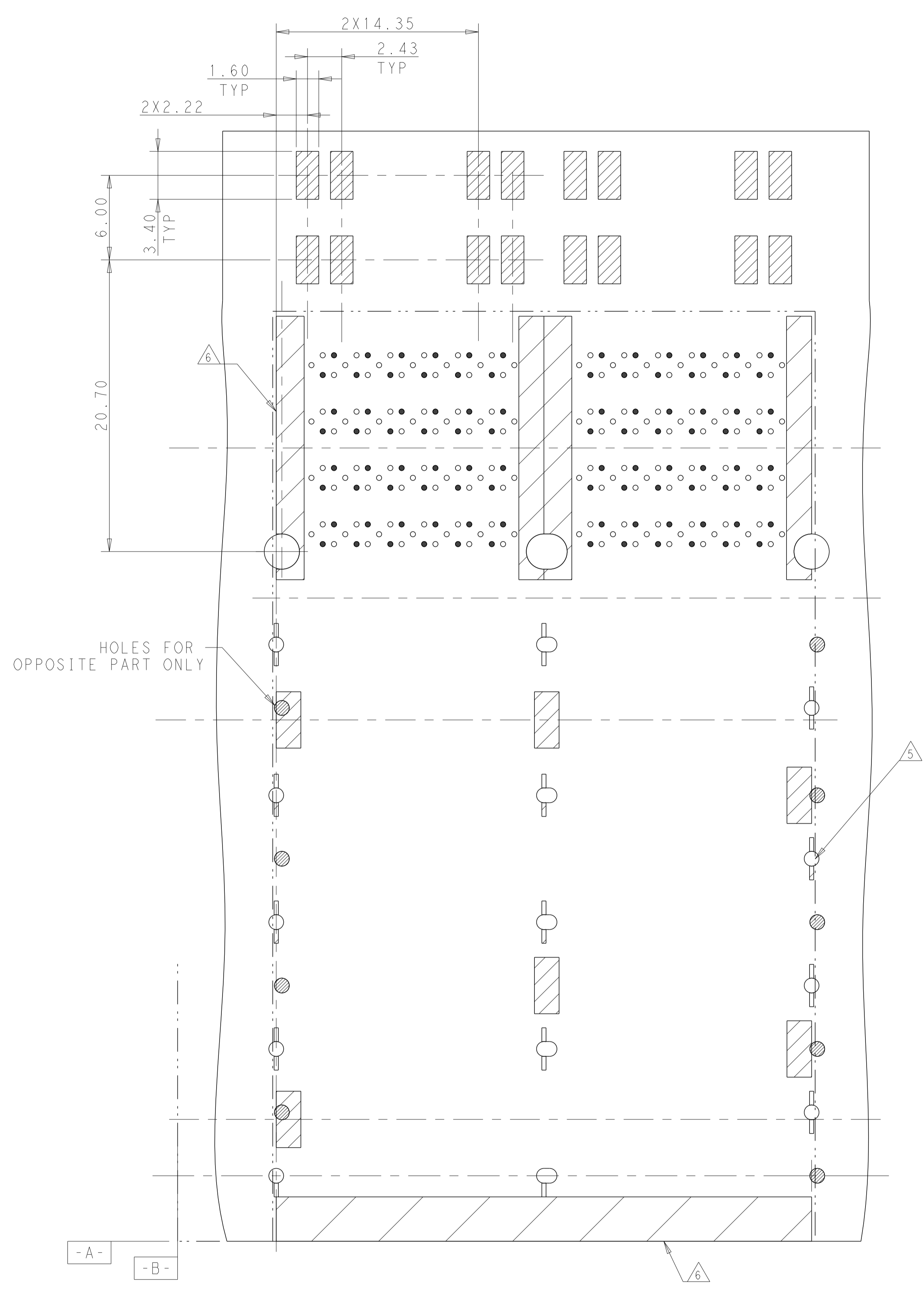
| LOC | DIST | REVISIONS |     |             |      |     |      |
|-----|------|-----------|-----|-------------|------|-----|------|
| GP  | 00   | P         | LTN | DESCRIPTION | DATE | DWN | APVD |
|     |      | -         |     | SEE SHEET 1 |      |     |      |



KEEPOUT AREAS OF 2-2308171-0  
 TOP COMPONENT SIDE OF BOARD  
 (PCB TOLERANCE ±0.05)  
 SCALE 5:1

|                                        |            |                          |                                                                                             |
|----------------------------------------|------------|--------------------------|---------------------------------------------------------------------------------------------|
| THIS DRAWING IS A CONTROLLED DOCUMENT. |            | DWN: TIM XUE 17AUG2016   | TE Connectivity                                                                             |
| DIMENSIONS: mm                         |            | CHK: SEAN HAN 17AUG2016  |                                                                                             |
| TOLERANCES UNLESS OTHERWISE SPECIFIED: |            | APVD: SEAN HAN 17AUG2016 | NAME: zQSFP+ 2X2.4 INTERNAL LIGHT PIPES WITH EMI SPRING FINGERS, BELLY TO BELLY APPLICATION |
| 0 PLC                                  | ±          | PRODUCT SPEC             | 108-60102                                                                                   |
| 1 PLC                                  | ±0.25      | APPLICATION SPEC         | 114-60015                                                                                   |
| 2 PLC                                  | ±0.20      | SIZE                     | A100779C=2308171                                                                            |
| 3 PLC                                  | ±          | CAGE CODE                | 114-60015                                                                                   |
| 4 PLC                                  | ±          | DRAWING NO               | 114-60015                                                                                   |
| ANGLES                                 | ±          | RESTRICTED TO            |                                                                                             |
| MATERIAL                               | FINISH     | WEIGHT                   |                                                                                             |
| SEE NOTE 1                             | SEE NOTE 2 | CUSTOMER DRAWING         | SCALE 1:1 SHEET 10 OF 11 REV D10                                                            |

| LOC | DIST | REVISIONS   |      |     |      |
|-----|------|-------------|------|-----|------|
| P   | LTN  | DESCRIPTION | DATE | DWN | APVD |
| -   | -    | SEE SHEET 1 | -    | -   | -    |
|     |      |             |      |     |      |
|     |      |             |      |     |      |



KEEP-OUT AREAS OF 2-2308171-1  
 TOP COMPONENT SIDE OF BOARD  
 UNSPECIFIED SPEC, REFER TO  
 2-2308171-0 PCB LAYOUT  
 (PCB TOLERANCE ±0.05)  
 SCALE 5:1

|                                                                                     |  |                                                                                                                                                                                        |                 |
|-------------------------------------------------------------------------------------|--|----------------------------------------------------------------------------------------------------------------------------------------------------------------------------------------|-----------------|
| THIS DRAWING IS A CONTROLLED DOCUMENT.                                              |  | DWN: TIM XUE 17AUG2016                                                                                                                                                                 | TE Connectivity |
| DIMENSIONS: mm                                                                      |  | CHK: SEAN HAN 17AUG2016                                                                                                                                                                |                 |
| TOLERANCES UNLESS OTHERWISE SPECIFIED:                                              |  | APVD: SEAN HAN 17AUG2016                                                                                                                                                               |                 |
| 0 PLC ±<br>1 PLC ±0.25<br>2 PLC ±0.20<br>3 PLC ±<br>4 PLC ±<br>ANGLES ±<br>FINISH ± |  | NAME: zOSFP+ 2X2.4 INTERNAL LIGHT PIPES WITH EMI SPRING FINGERS, BELLY TO BELLY APPLICATION<br>PRODUCT SPEC: 108-60102<br>APPLICATION SPEC: 114-60015<br>WEIGHT: -<br>CUSTOMER DRAWING |                 |
| MATERIAL: SEE NOTE 1                                                                |  | SIZE: A100779<br>CAGE CODE: C=2308171<br>SCALE: 1:1 SHEET 11 OF 11 REV: 010                                                                                                            |                 |