

THIS DRAWING IS UNPUBLISHED.

RELEASED FOR PUBLICATION

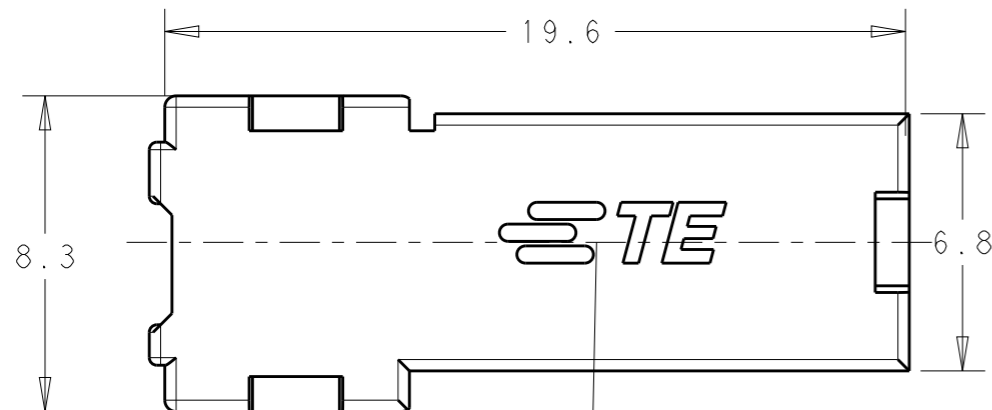
20

© COPYRIGHT 20 BY -

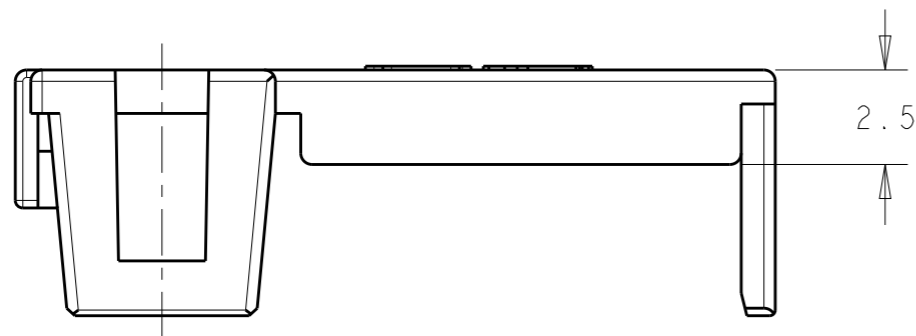
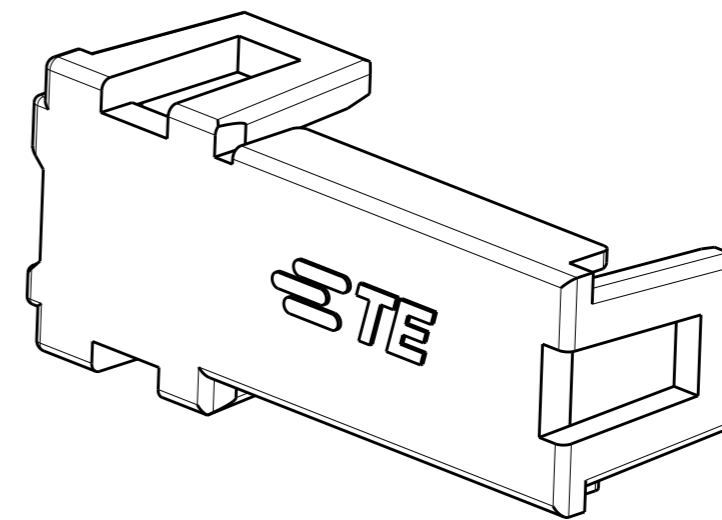
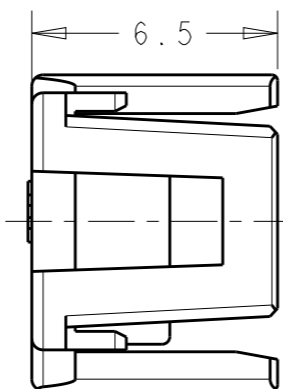
ALL RIGHTS RESERVED.

REVISIONS

P	LTR	DESCRIPTION	DATE	DWN	APVD
	A	INITIAL RELEASE	15JAN18	LP	TD




TE TRADE MARK



NOTE:

1. MATERIAL, NYLON 66, UL 94 V-0.
2. GWT 750 °C VERSION, ACCORDING TO IEC 60335-1.
3. SHEET 1 FOR POD-LOK 250 FLAG HSG, *-1969772-*.
SHEET 2 FOR POD-LOK 187 FLAG HSG, *-2299289-*.

NATURAL	NYLON	2317947-1
COLOUR	MATERIAL	P/N

THIS DRAWING IS A CONTROLLED DOCUMENT.		DWN LEI PAN 11APR2017	 TE Connectivity	
DIMENSIONS: mm		CHK LEI PAN 11APR2017		
TOLERANCES UNLESS OTHERWISE SPECIFIED:		APVD TIM DING 11APR2017	NAME POD-LOK FLAG BACKCOVER	
0 PLC ±- 1 PLC ±0.3 2 PLC ±- 3 PLC ±- 4 PLC ±- ANGLES ±-		PRODUCT SPEC -	-	
MATERIAL -		FINISH -	APPLICATION SPEC -	RESTRICTED TO -
-		WEIGHT -	SIZE A3	CAGE CODE -
-		CUSTOMER DRAWING	DRAWING NO C-2317947	SCALE 5:1
-			SHEET 1 OF 2	REV A

THIS DRAWING IS UNPUBLISHED.

RELEASED FOR PUBLICATION

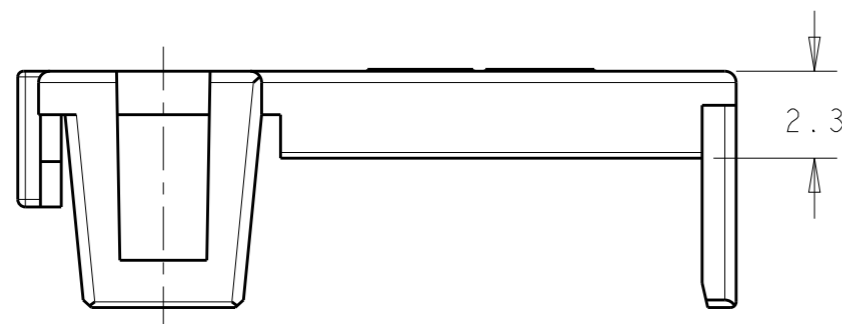
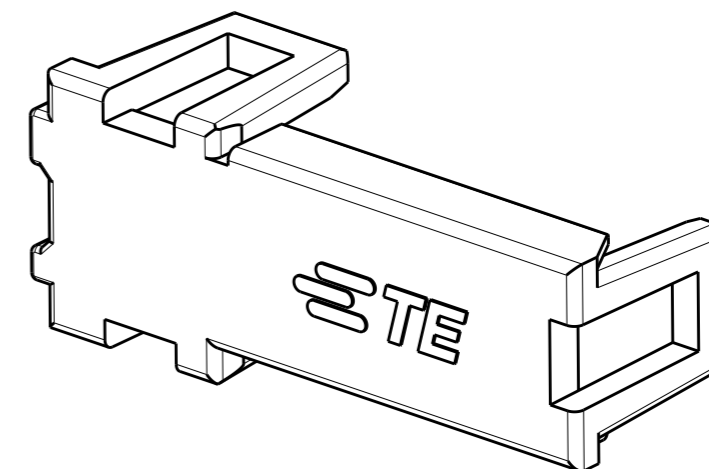
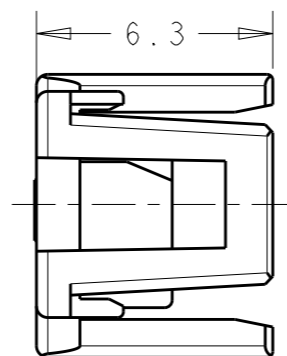
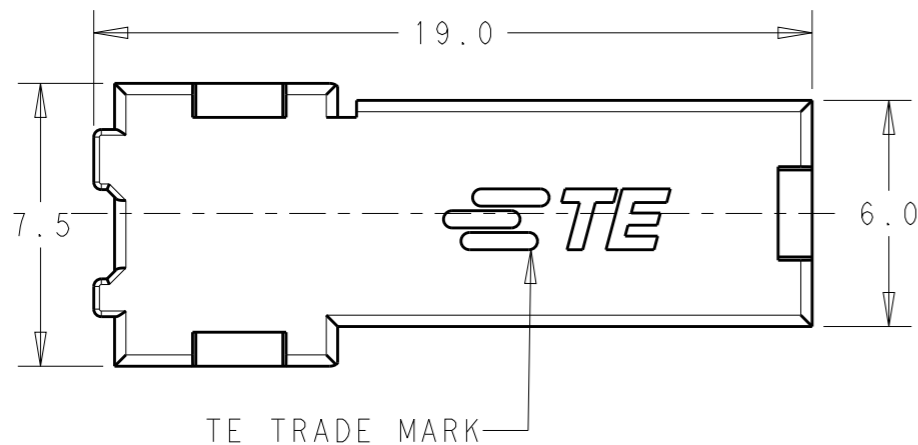
20

© COPYRIGHT 20 BY -


ALL RIGHTS RESERVED.

REVISIONS

P	LTR	DESCRIPTION	DATE	DWN	APVD
		SEE SEET 1			



NATURAL	NYLON	2317947-2
COLOUR	MATERIAL	P/N

THIS DRAWING IS A CONTROLLED DOCUMENT.		DWN LEI PAN 11APR2017	 TE Connectivity	
DIMENSIONS: mm		CHK LEI PAN 11APR2017		
TOLERANCES UNLESS OTHERWISE SPECIFIED:		APVD TIM DING 11APR2017	NAME POD-LOK FLAG BACKCOVER	
0 PLC ± - 1 PLC ± 0.3 2 PLC ± - 3 PLC ± - 4 PLC ± - ANGLES ± -		PRODUCT SPEC -	RESTRICTED TO -	
MATERIAL -		APPLICATION SPEC -	SIZE A3	CAGE CODE -
FINISH -		WEIGHT -	DRAWING NO C-2317947	
		CUSTOMER DRAWING		SCALE 4:1
				SHEET 2 OF 2
				REV A