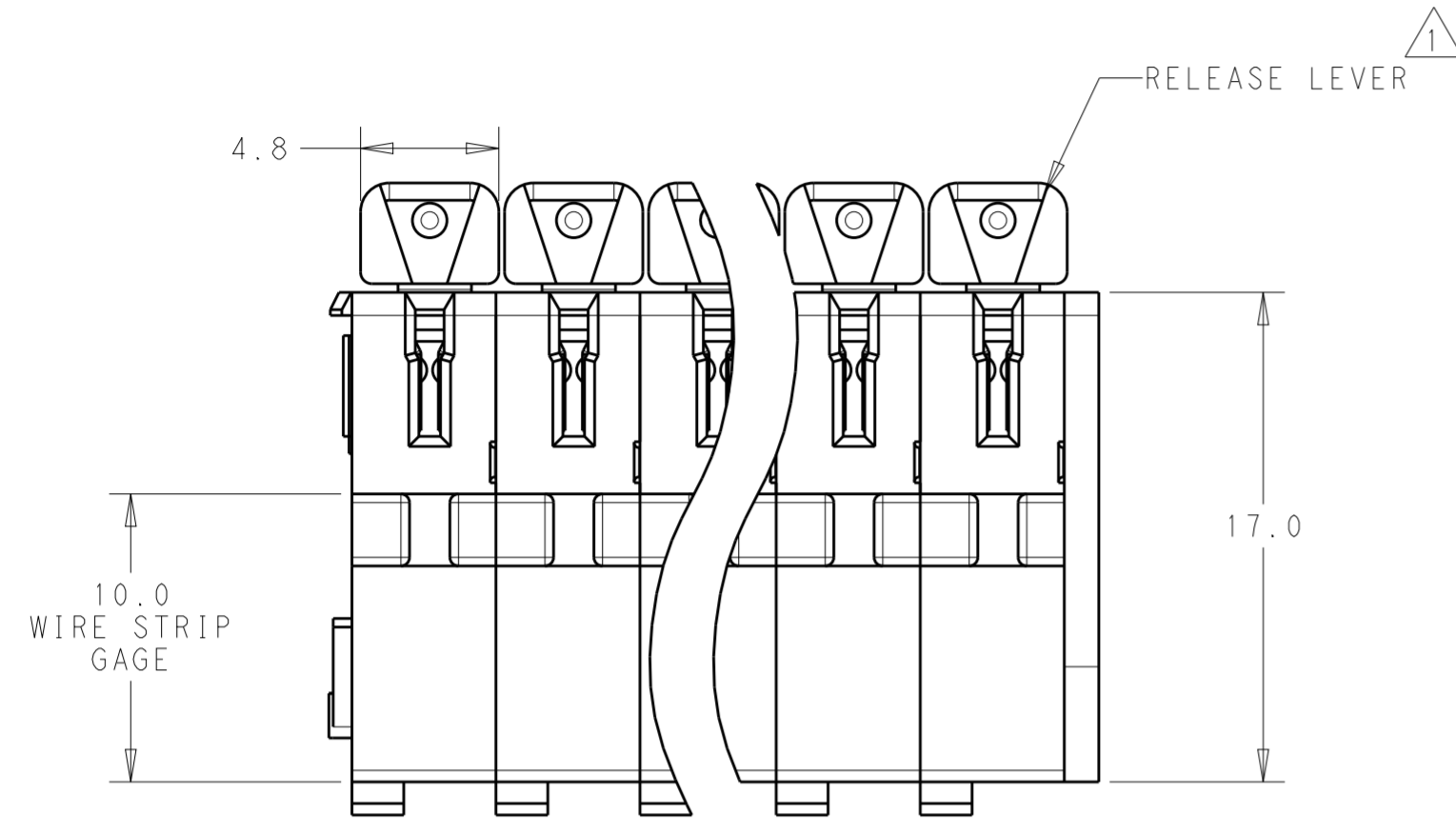


THIS DRAWING IS UNPUBLISHED. RELEASED FOR PUBLICATION
 © COPYRIGHT copyright.dBTe- ALL RIGHTS RESERVED.

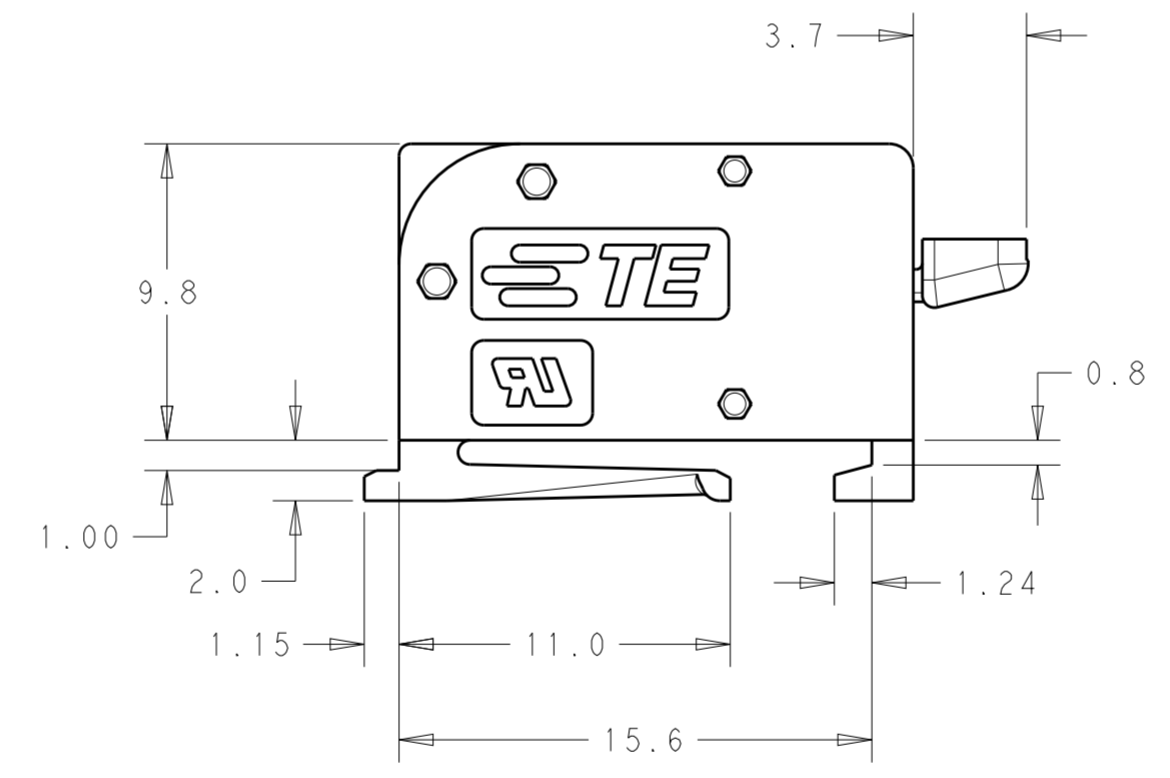
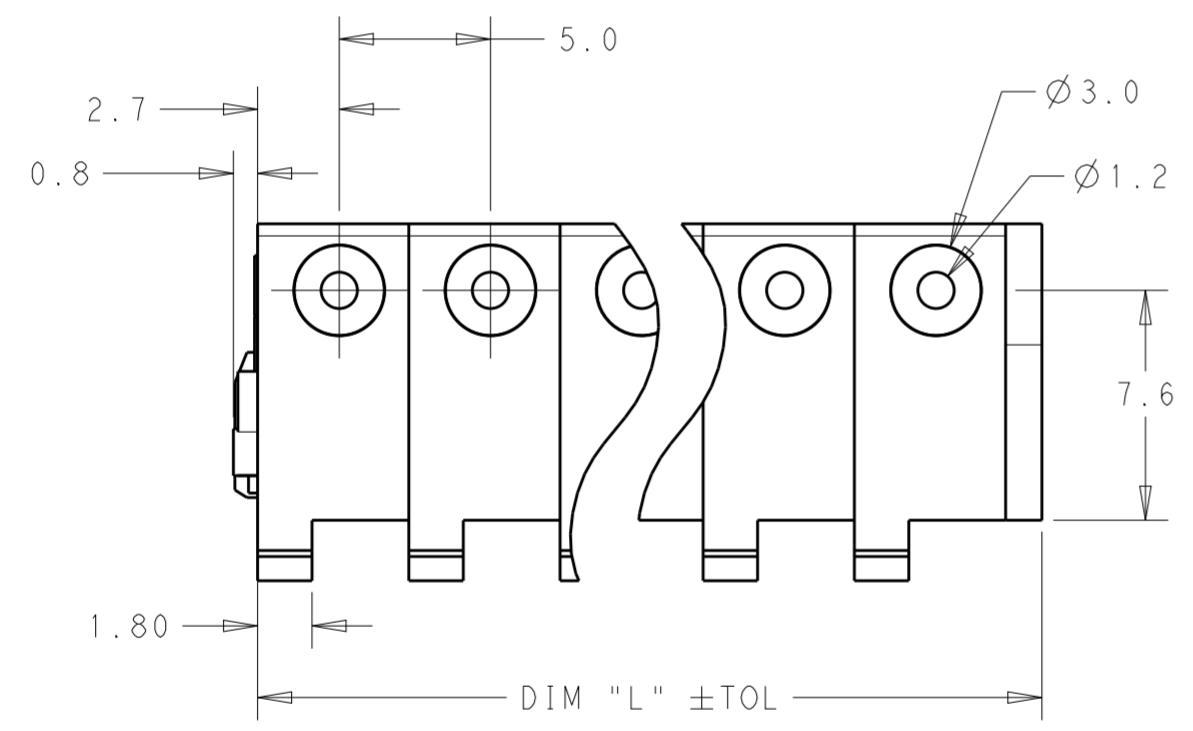
| REVISIONS | | | | |
|-----------|-----|--|-----------|--------|
| P | LTR | DESCRIPTION | DATE | APVD |
| 2 | | PART UPDATE | 07FEB2018 | JS ML |
| 3 | | ADD 2319461-2 TO PARTS LIST,CHANGE TITLE | 19MAR2018 | JS ML |
| A | | ECR-18-011503 | 24JUL2018 | GCM DD |
| A1 | | ECR-18-013416 | 17SEP2018 | SR DD |



1 MATERIALS AND FINISH:
 CONNECTOR HOUSING: GF PBT,COLOR: NATURAL
 END CAP: GF PBT,COLOR: NATURAL
 RELEASE LEVER: GF PBT,COLOR: GREY
 CONTACTS: COPPER ALLOY,FINISH; Sn OVER Ni

2 CLEARANCE BETWEEN MOUNTING PLATE AND RELEASE LEVER AT MAXIMUM TRAVEL AS SHOWN.

- 3. MATERIALS COMPLY WITH DIRECTIVE 2002/95/EC (ROHS).
- 4. THIS PRODUCT HAS NOT COMPLETED VALIDATION TESTING.
- 5. PACKAGED IN TRAYS.

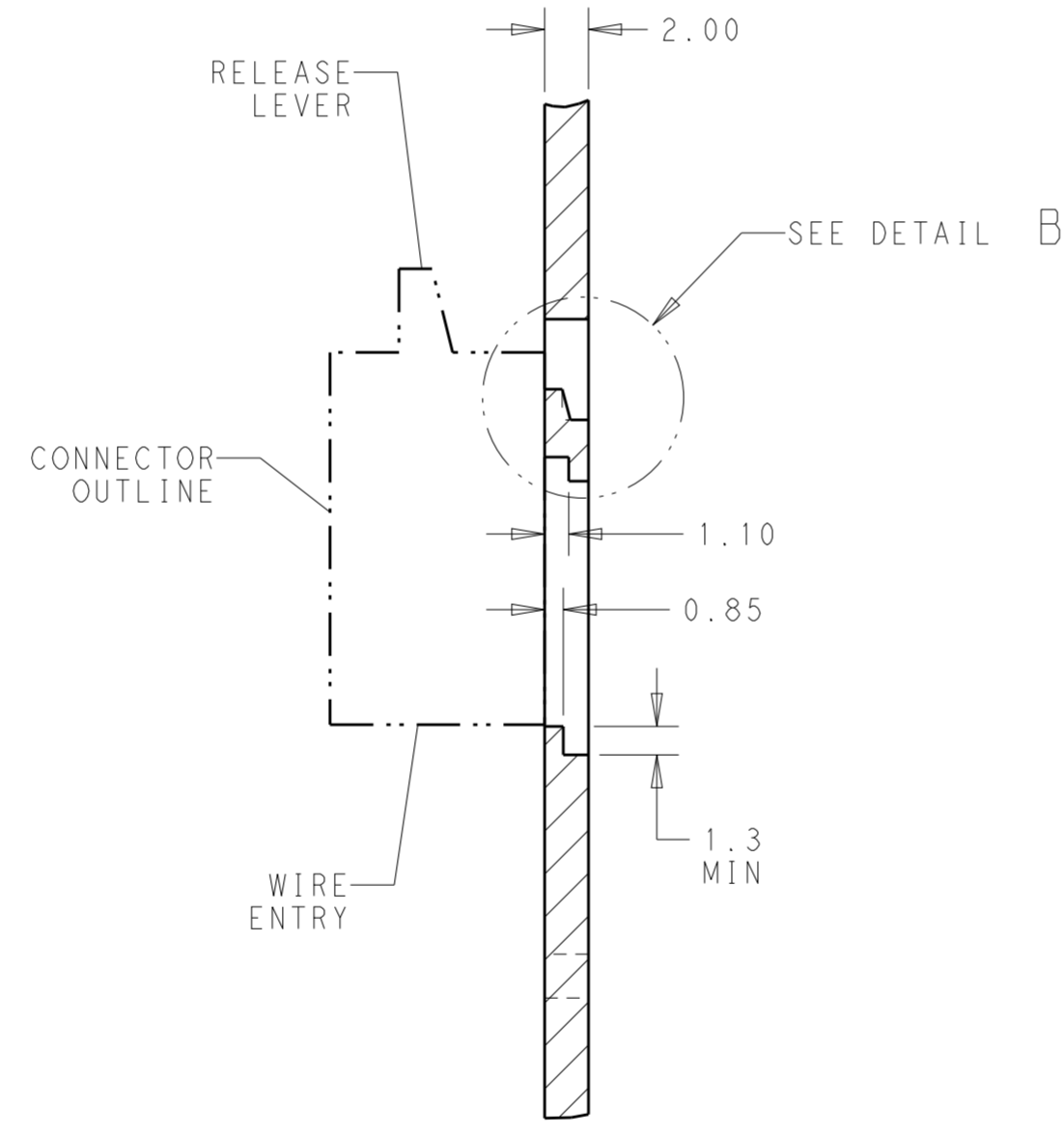
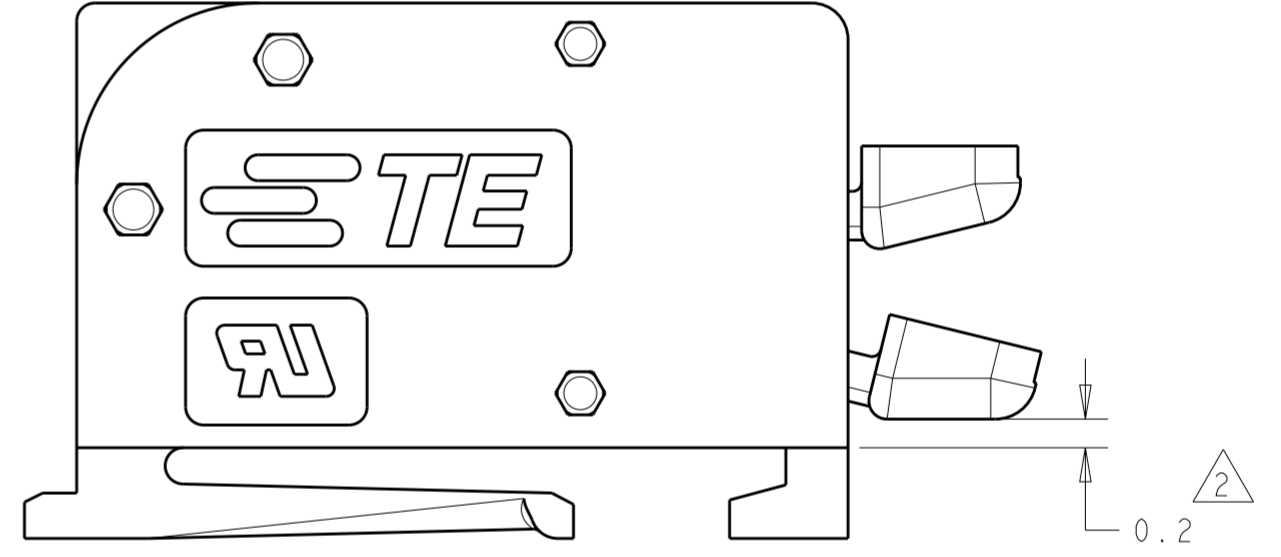
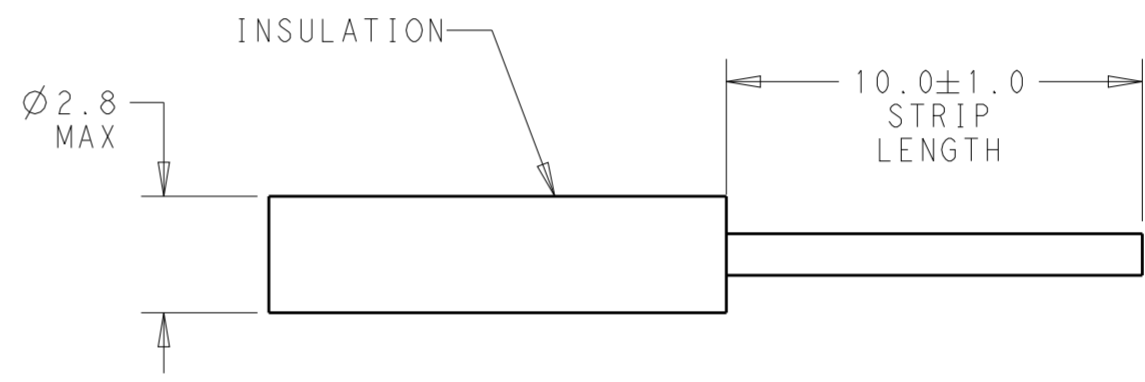
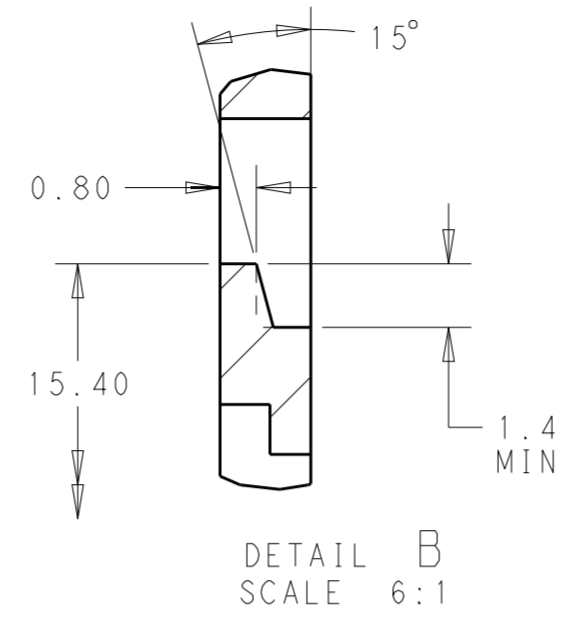
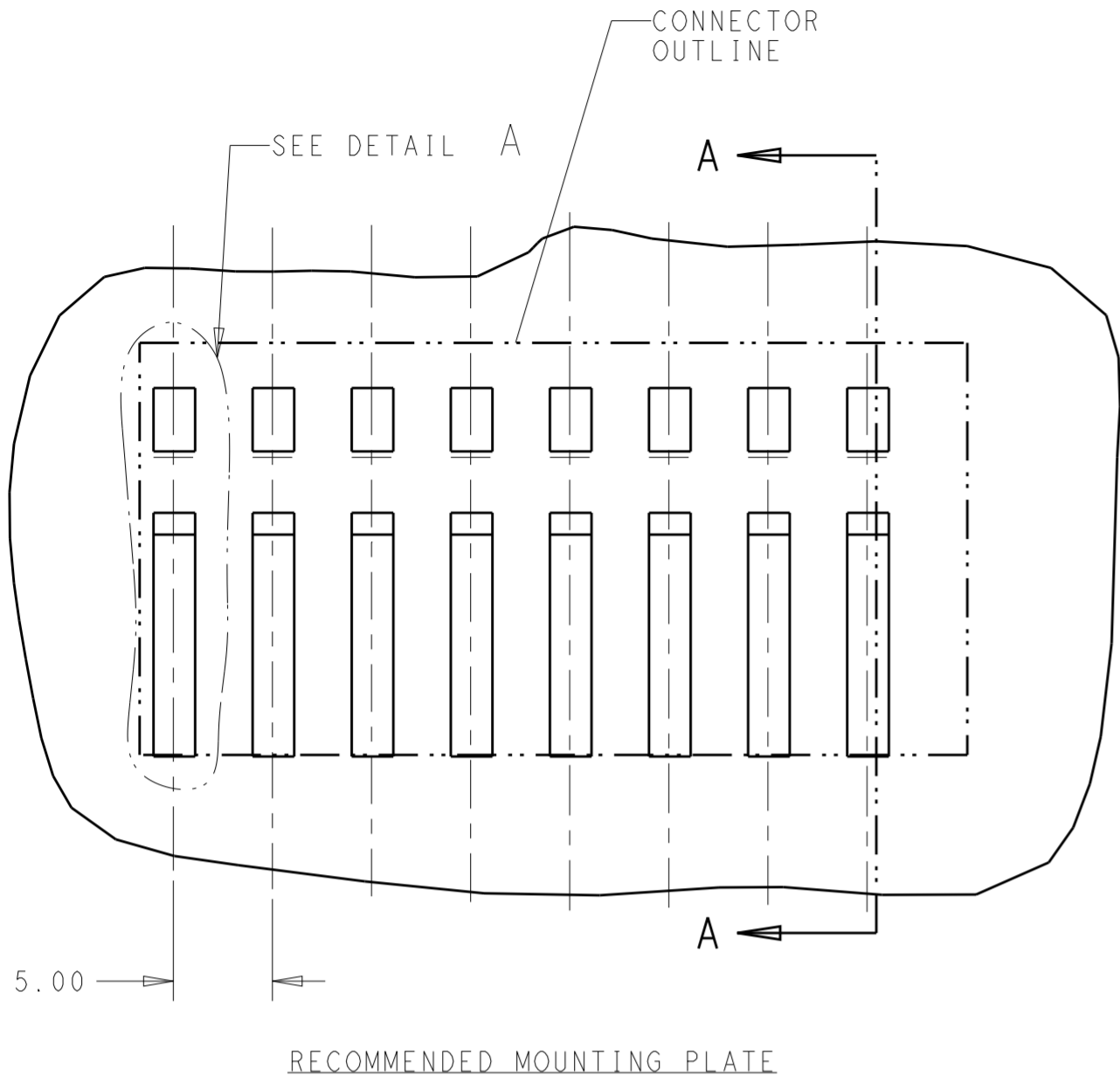


| | | |
|---------|----------|----------------|
| 41.2 | 8 | 2319461-8 |
| 36.2 | 7 | 2319461-7 |
| 31.2 | 6 | 2319461-6 |
| 26.2 | 5 | 2319461-5 |
| 21.2 | 4 | 2319461-4 |
| 16.2 | 3 | 2319461-3 |
| 11.2 | 2 | 2319461-2 |
| DIM "L" | CIRCUITS | TE PART NUMBER |

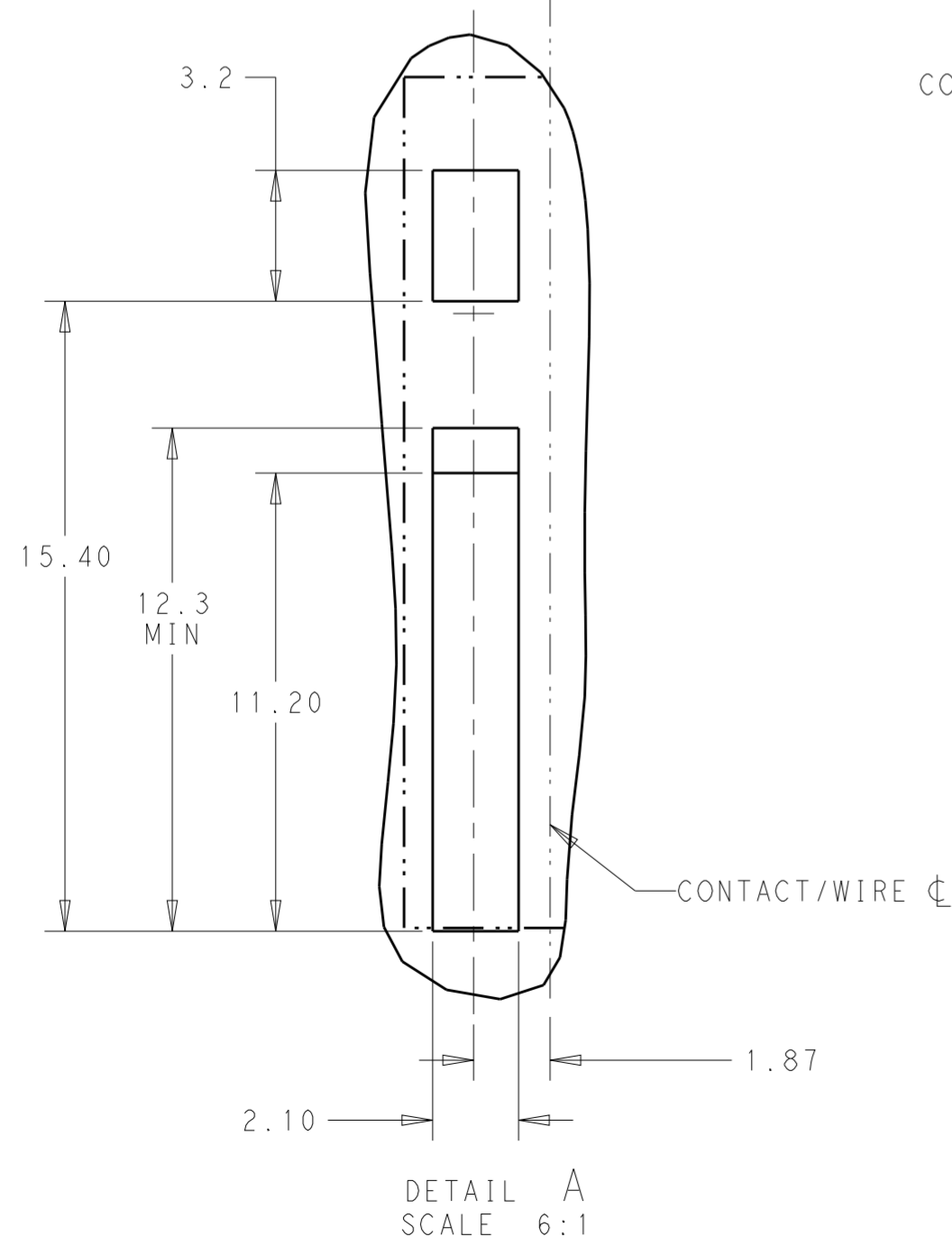
| | | | | |
|---|--|-------------------------------------|--|------------------------|
| THIS DRAWING IS A CONTROLLED DOCUMENT. | | DWN J. SHAFFER 19 JUL 2017 | TE Connectivity | |
| DIMENSIONS: mm | | CHK MAREK LUKSIC 19 JUL 2017 | | |
| TOLERANCES UNLESS OTHERWISE SPECIFIED: 0 PLC ± 1 PLC ±0.20 2 PLC ±0.10 3 PLC ± 4 PLC ± ANGLES ±2° FINISH - | | APVD MAREK LUKSIC 19 JUL 2017 | NAME BUCHANAN WireMate POKE-IN CONNECTOR, 5mm PITCH | |
| MATERIAL - | | PRODUCT SPEC - | SIZE A200779 | CAGE CODE C-2319461 |
| - | | APPLICATION SPEC - | DRAWING NO C-2319461 | RESTRICTED TO - |
| - | | WEIGHT - | SCALE 3:1 | SHEET 1 OF 2 |
| - | | CUSTOMER DRAWING | REV A1 | |

THIS DRAWING IS UNPUBLISHED. RELEASED FOR PUBLICATION
 © COPYRIGHT copyright dbTe ALL RIGHTS RESERVED.

| REVISIONS | | | | |
|-----------|-----|-------------|------|------|
| P | LTR | DESCRIPTION | DATE | APVD |
| - | - | SEE SHEET 1 | - | - |
| | | | | |
| | | | | |



SECTION A - A



| | | | | |
|--|--|-------------------------------------|--|---------------|
| THIS DRAWING IS A CONTROLLED DOCUMENT. | | DWN J. SHAFFER 19 JUL 2017 | TE Connectivity | |
| DIMENSIONS: | | CHK MAREK LUKSIC 19 JUL 2017 | | |
| mm | TOLERANCES UNLESS OTHERWISE SPECIFIED: | APVD MAREK LUKSIC 19 JUL 2017 | NAME BUCHANAN WireMate POKE-IN CONNECTOR, 5mm PITCH | |
| 0 PLC | ± | PRODUCT SPEC | SIZE | RESTRICTED TO |
| 1 PLC | ±0.20 | APPLICATION SPEC | A200779 | - |
| 2 PLC | ±0.10 | WEIGHT | C-2319461 | SCALE 3:1 |
| 3 PLC | ± | CUSTOMER DRAWING | SCALE 3:1 | SHEET 2 OF 2 |
| 4 PLC | ± | FINISH | SCALE 3:1 | REV A1 |
| ANGLES | ±2° | | | |