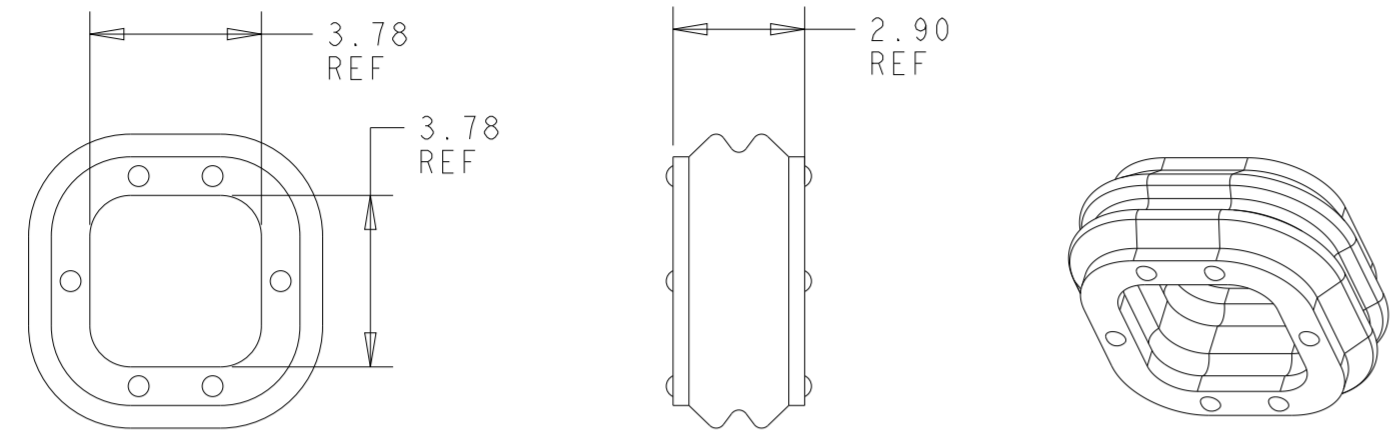


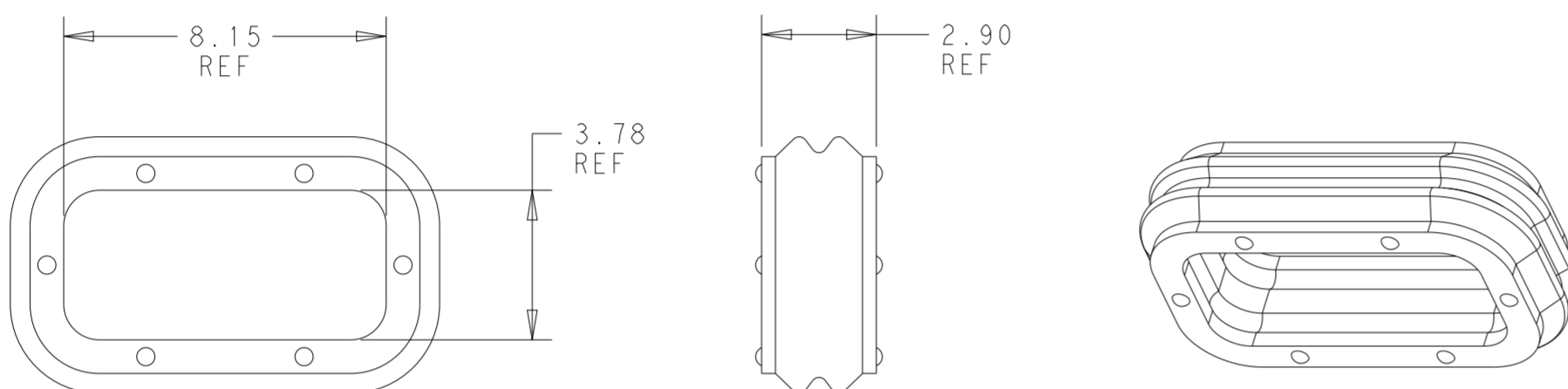
REVISIONS				
P	LTR	DESCRIPTION	DATE	APVD
A		RELEASED PER ECO-19-011398	23JUL2019	BKW CY
A1		REVISED PER ECR-20-100211	08AUG2020	JP VS
A2		REVISED PER ECR-22-146203	18JUL2022	AVN VS
A3		REVISED PER ECR-24-199305	23FEB2024	AK DS



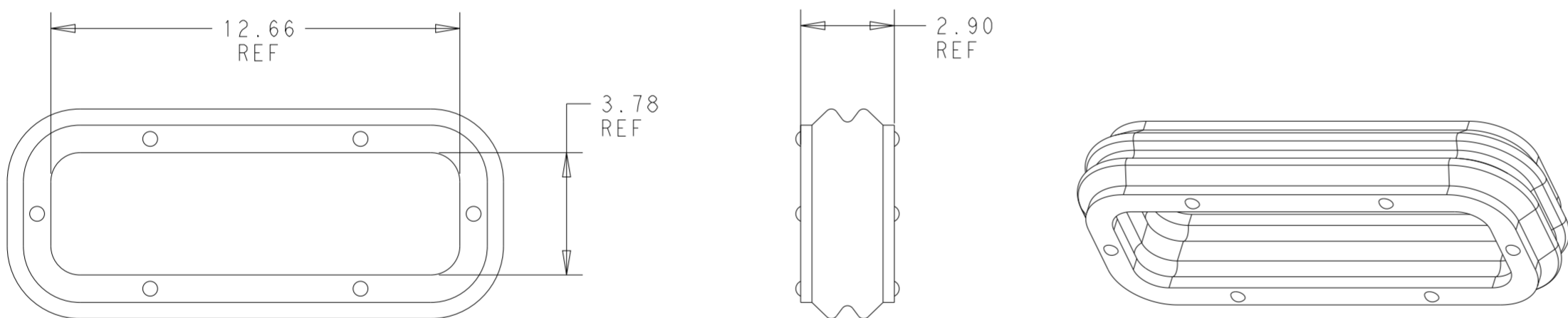
1\*1 POSITION

⚠ MATERIAL: SILICONE RUBBER, INHERENTLY LUBRICATED  
 COLOR - BLUE

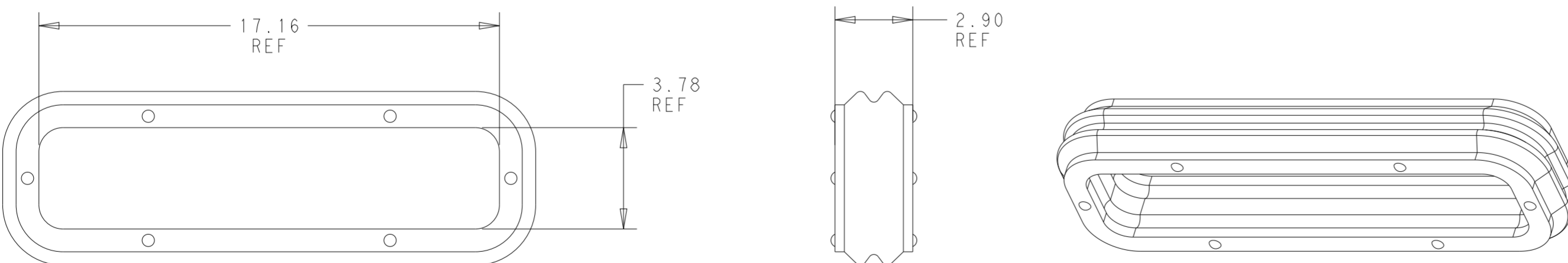
2. MATING PLUG HOUSING P/N'S:  
 \*-2332040-\*/\*-2336229-\*/\*-2345728-1



1\*2 POSITION



1\*3 POSITION



1\*4 POSITION

1*4	2325347-4
1*3	2325347-3
1*2	2325347-2
1*1	2325347-1
POSITIONS	PART NUMBER

THIS DRAWING IS A CONTROLLED DOCUMENT.		DWN B. WEAVER 15JUN2018	TE Connectivity INTERFACE SEAL, POWER VERSA-LOCK	
DIMENSIONS: mm		CHK S. FERNANDES 15JUN2018		
TOLERANCES UNLESS OTHERWISE SPECIFIED:		APVD C. YI 15JUN2018	NAME	
0 PLC ±	1 PLC ±	PRODUCT SPEC	-	
2 PLC ±	3 PLC ±	APPLICATION SPEC	-	
4 PLC ±	ANGLES ±	114-143082	SIZE	A2
FINISH	-	WEIGHT	CAGE CODE	00779
	-	CUSTOMER DRAWING	DRAWING NO	C-2325347
			RESTRICTED TO	-
			SCALE	6:1
			SHEET	1 OF 1
			REV	A3