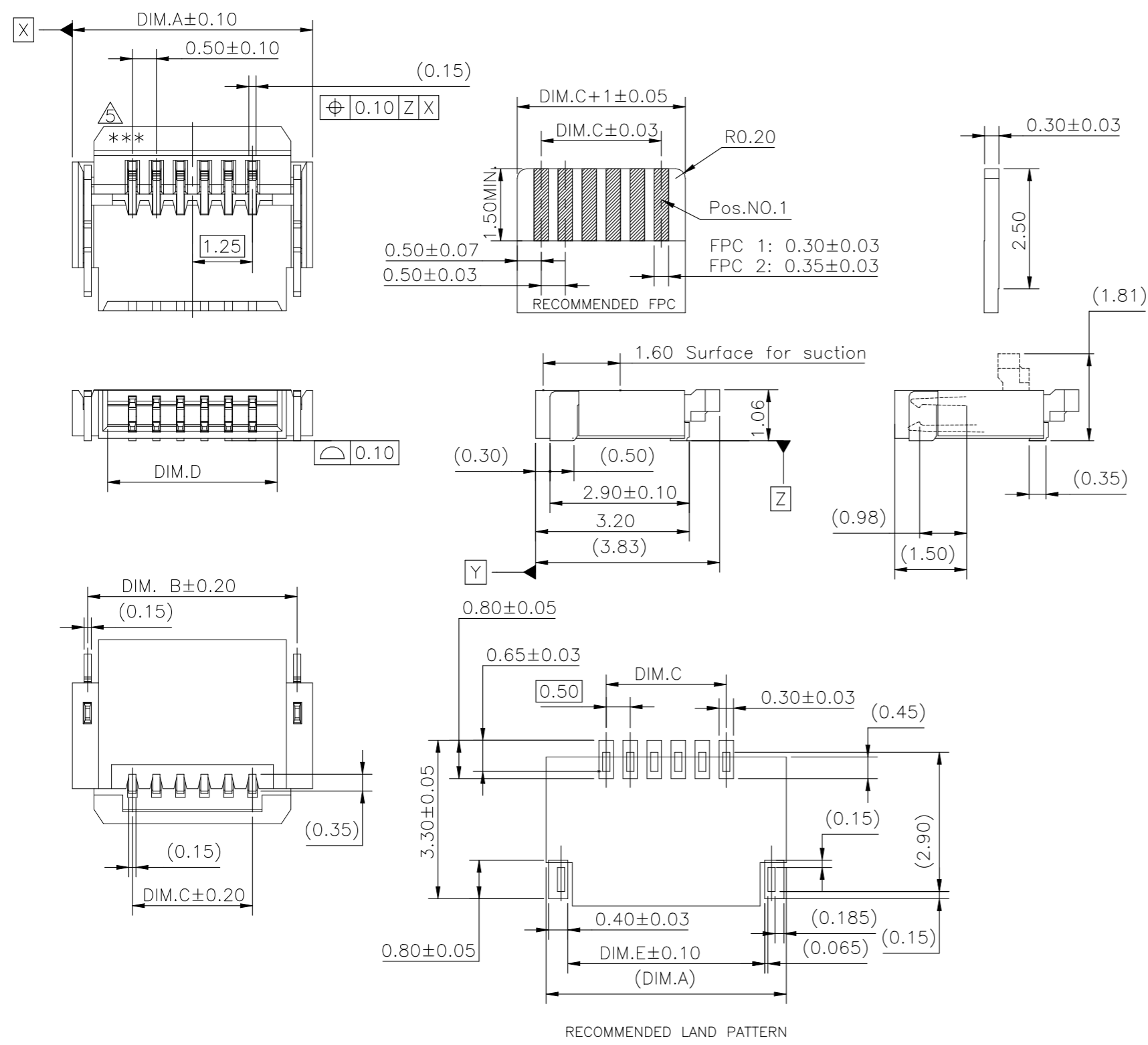


REVISIONS					
P	LTR	DESCRIPTION	DATE	DWN	APVD
6	ECR-21-113847		15SEP2021	E.Z	N.S



- NOTES:
- MATERIAL:
    - HOUSING: HIGH TEMPERATURE THERMOPLASTIC UL94V-0, COLOR: NATURAL. AND COLOR BLACK IS FOR 8-2328702-8 AND 9-2328702-8.
    - ACTUATOR: HIGH TEMPERATURE THERMOPLASTIC UL94V-0, COLOR: BLACK. AND COLOR NATURAL IS FOR 8-2328702-8, COLOR BLUE IS FOR 9-2328702-8.
    - CONTACT: COPPER ALLOY.
    - FITTING NAIL: STAINLESS STEEL.
  - FINISH:
    - CONTACT: GOLD FLASH ON CONTACT AREA. AND SOLDER TAILS. 50u" MIN. NICKEL UNDERPLATING OVERALL.
    - FITTING NAIL: TIN PLATING ON SOLDER TAILS. 50u" MIN. NICKEL UNDERPLATING OVERALL.
  - SPECIFICATION:
 

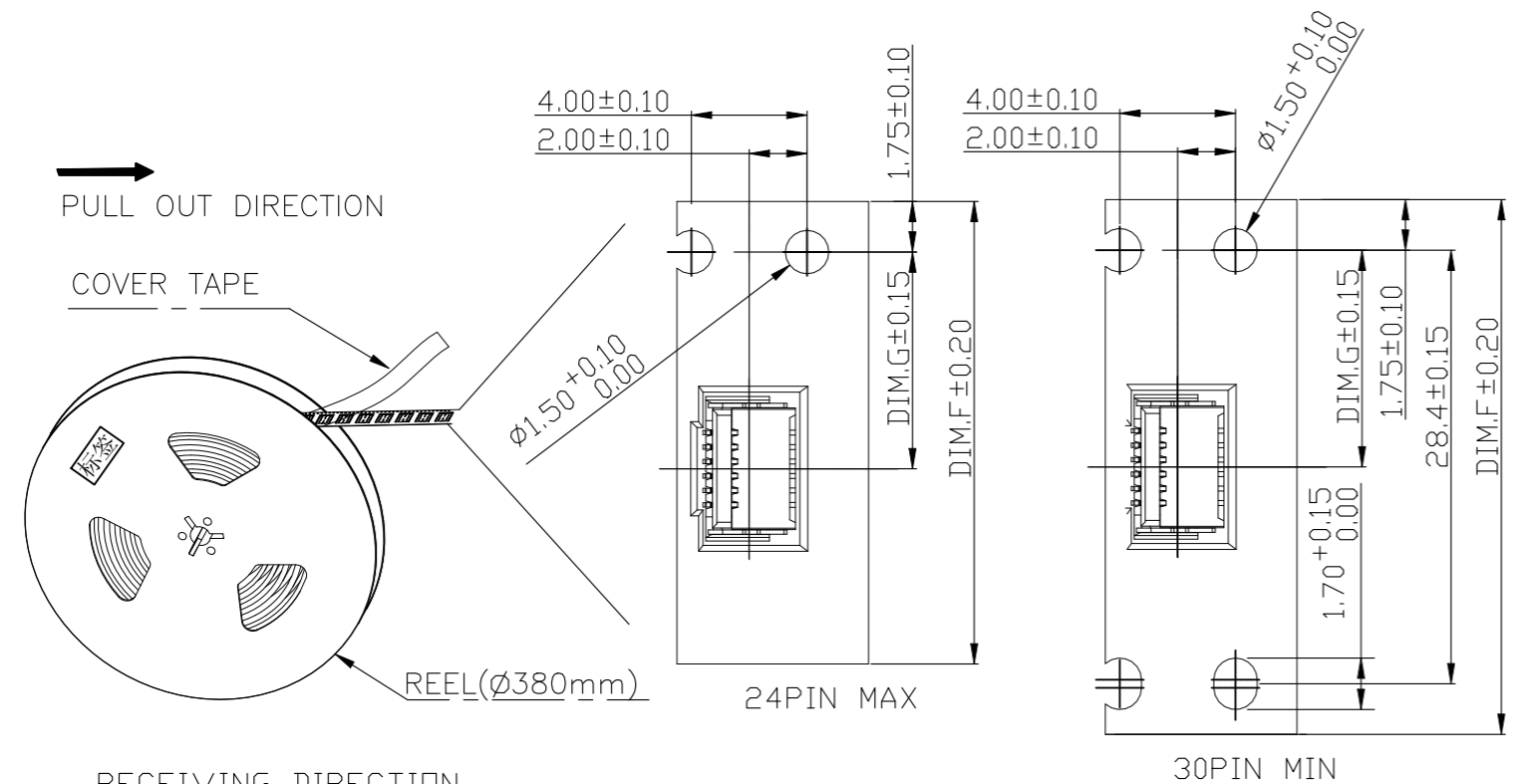
VOLTAGE: 50V AC/DC  
 CURRENT RATING: 0.5 AMPERE  
 CONTACT RESISTANCE: INITIAL 50 mOHMS MAX. AFTER TEST Δ30 mOHMS MAX.  
 DIELECTRIC WITHSTANDING VOLTAGE: 250V AC/1 MINUTE;  
 INSULATION RESISTANCE: 500M OHMS MIN.  
 FFC/FPC WITHDRAWL FORCE: 0.20N PER CONTACT MIN;  
 FFC/FPC THICKNESS: 0.30+/-0.03mm.
  - THE PRODUCT IS RoHS AND HF COMPLIANT.
- ⚠ PIN NO.

PRELIMINARY PART NO.	8	5.10	4.53	3.50	5.38	6.00	9-2328702-8
	8	5.10	4.53	3.50	5.38	6.00	8-2328702-8
	30	16.10	15.53	14.50	16.38	17.00	3-2328702-0
	24	13.10	12.53	11.50	13.38	14.00	2-2328702-4
	16	9.10	8.53	7.50	9.38	10.00	1-2328702-6
	10	6.10	5.53	4.50	6.38	7.00	1-2328702-0
	8	5.10	4.53	3.50	5.38	6.00	2328702-8
	6	4.10	3.53	2.50	4.38	5.00	2328702-6
	4	3.10	2.53	1.50	3.38	4.00	2328702-4
PIN NO.	DIM.E	DIM.D	DIM.C	DIM.B	DIM.A		PART NO.

THIS DRAWING IS A CONTROLLED DOCUMENT.		DWN	ELIANA ZHANG 20171228		 TE Connectivity Ltd.		
		CHK	WENKE HE 20171228				
		APVD	WENKE HE 20171228				
		PRODUCT SPEC	108-115142				
DIMENSIONS: mm		TOLERANCES UNLESS OTHERWISE SPECIFIED:		NAME			
		0 PLC ± 0.40		0.5 PITCH FPC CONNECTOR BACK FLIP			
		1 PLC ± 0.25					
MATERIAL		2 PLC ± 0.15				SIZE	CAGE CODE
		3 PLC ± 0.10				DRAWING NO	
		4 PLC ± -		RESTRICTED TO			
		ANGLES ± -		-			
		FINISH		WEIGHT			
		-		SEE TABLE			
		-		A3 00779 C-2328702			
		CUSTOMER DRAWING		SCALE	SHEET		
				1:1	1 OF 2		
				REV	6		

REVISIONS

P	LTR	DESCRIPTION	DATE	DWN	APVD
-	-	SEE SHEET 1	-	-	-



- NOTES: (APPLIED TO CURRENT SHEET)
1. THE DIRECTION OF EACH CONNECTOR ON A EMBOSS IS REFERRED TO THIS DRAWING.
  2. PACKAGED IN EMBOSS TAPE AND PLASTIC RELL 4000 PCS PER RELL.
  3. WINDING THE COVER TAPE AROUND THE OUTER PERIPHERY IN A TURN.

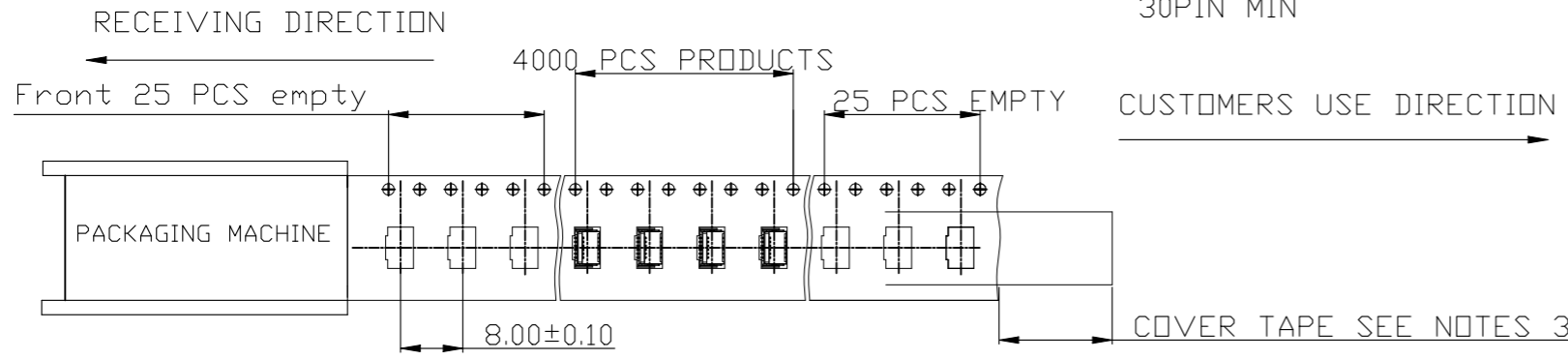
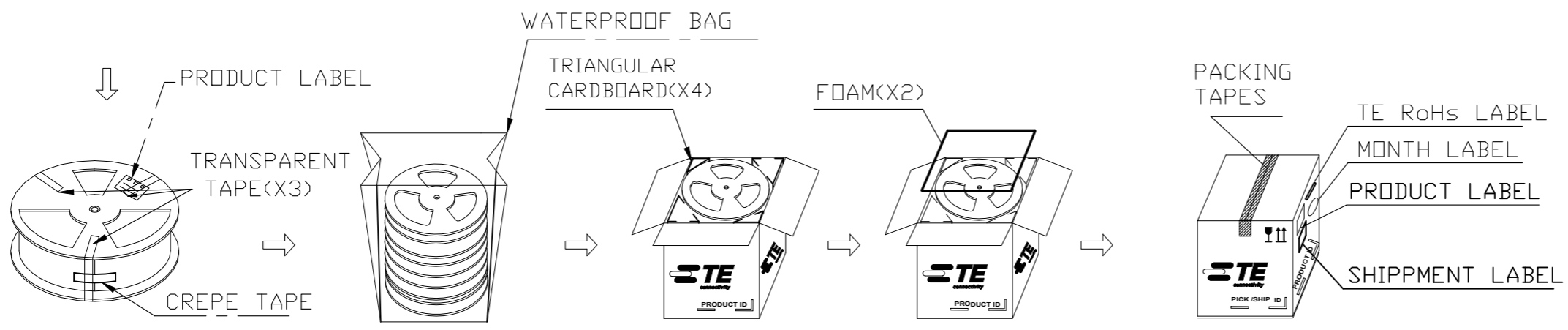


TABLE A

P/N	PIN NO.	Amount of packing			Weight of packing			DIM F	DIM G
		Pcs/ Reel	Reel/ Carton	PCS/ Carton	Unit weight (g)	Net weight (kg)	GW (kg)		
3-2328702-0	30	4,000	4	16,000	0.0848	1.357	5.421	32.00	14.20
2-2328702-4	24	4,000	5	20,000	0.0827	1.654	5.735	24.00	11.50
1-2328702-6	16	4,000	5	20,000	0.0615	1.230	5.311	16.00	7.50
1-2328702-0	10	4,000	7	28,000	0.0405	1.134	5.275		
2328702-8	8	4,000	7	28,000	0.0335	0.938	5.06		
8-2328702-8	8	4,000	7	28,000	0.0335	0.938	5.06		
9-2328702-8	8	4,000	7	28,000	0.0335	0.938	5.06		
2328702-6	6	4,000	7	28,000	0.0280	0.611	4.845		
2328702-4	4	4,000	7	28,000	0.0218	1.654	4.675		



THIS DRAWING IS A CONTROLLED DOCUMENT.		DWN ELIANA ZHANG 28DEC2017	<b>STE</b> TE Connectivity Ltd.	
DIMENSIONS: mm		CHK WENKE HE 20171228		
TOLERANCES UNLESS OTHERWISE SPECIFIED:		APVD WENKE HE 20171228	NAME	
0 PLC ± 0.40		PRODUCT SPEC		0.5 PITCH FPC CONNECTOR
1 PLC ± 0.25		APPLICATION SPEC		BACK FLIP
2 PLC ± 0.15		WEIGHT SEE TABLE		SIZE A3
3 PLC ± 0.10		CUSTOMER DRAWING		CAGE CODE 00779
4 PLC ± -		SCALE 1:1		DRAWING NO C-2328702
ANGLES ± -		SHEET 2 OF 2		RESTRICTED TO -
FINISH -		REV 6		