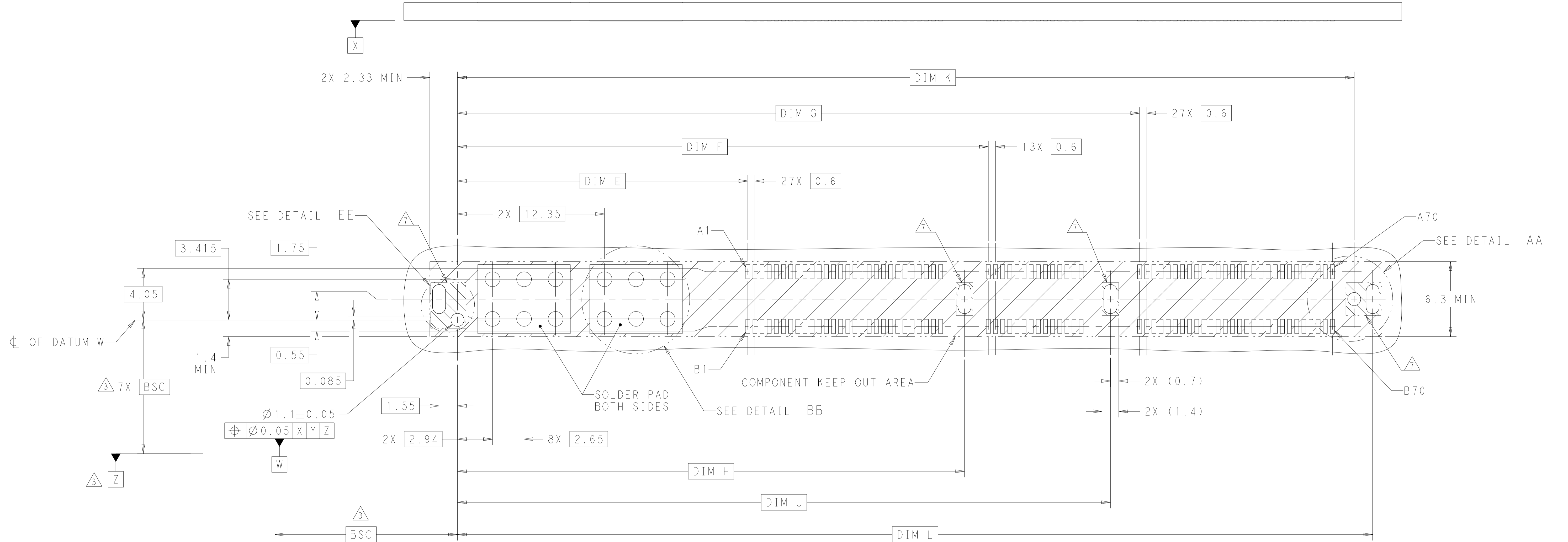
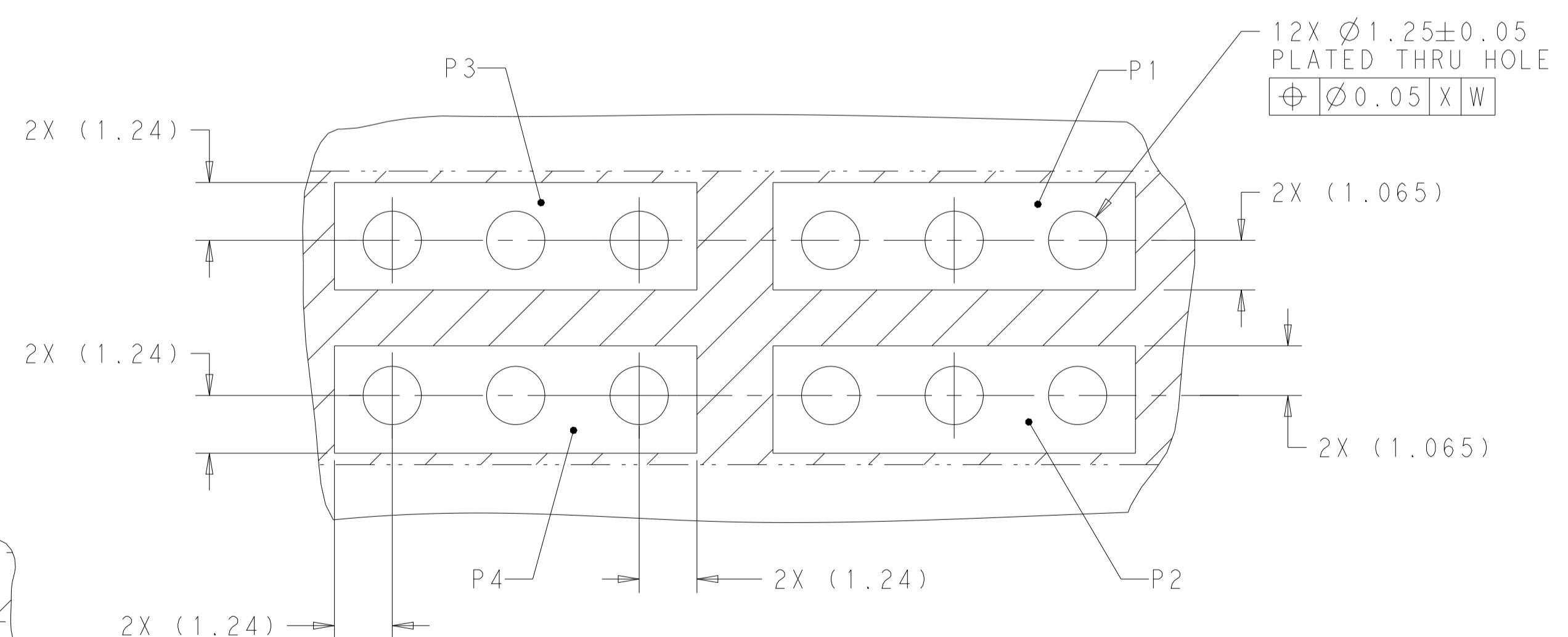


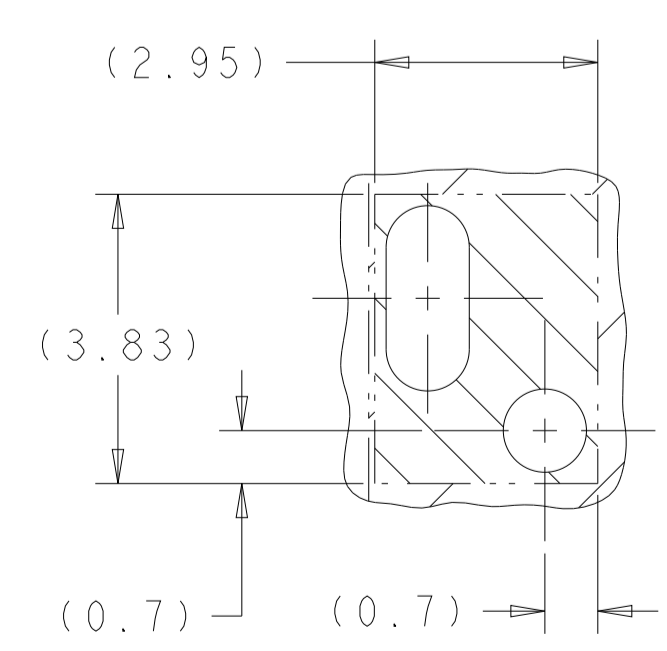
REVISIONS				
P	LTN	DESCRIPTION	DATE	APVD
-	-	SEE SHEET 1	-	-



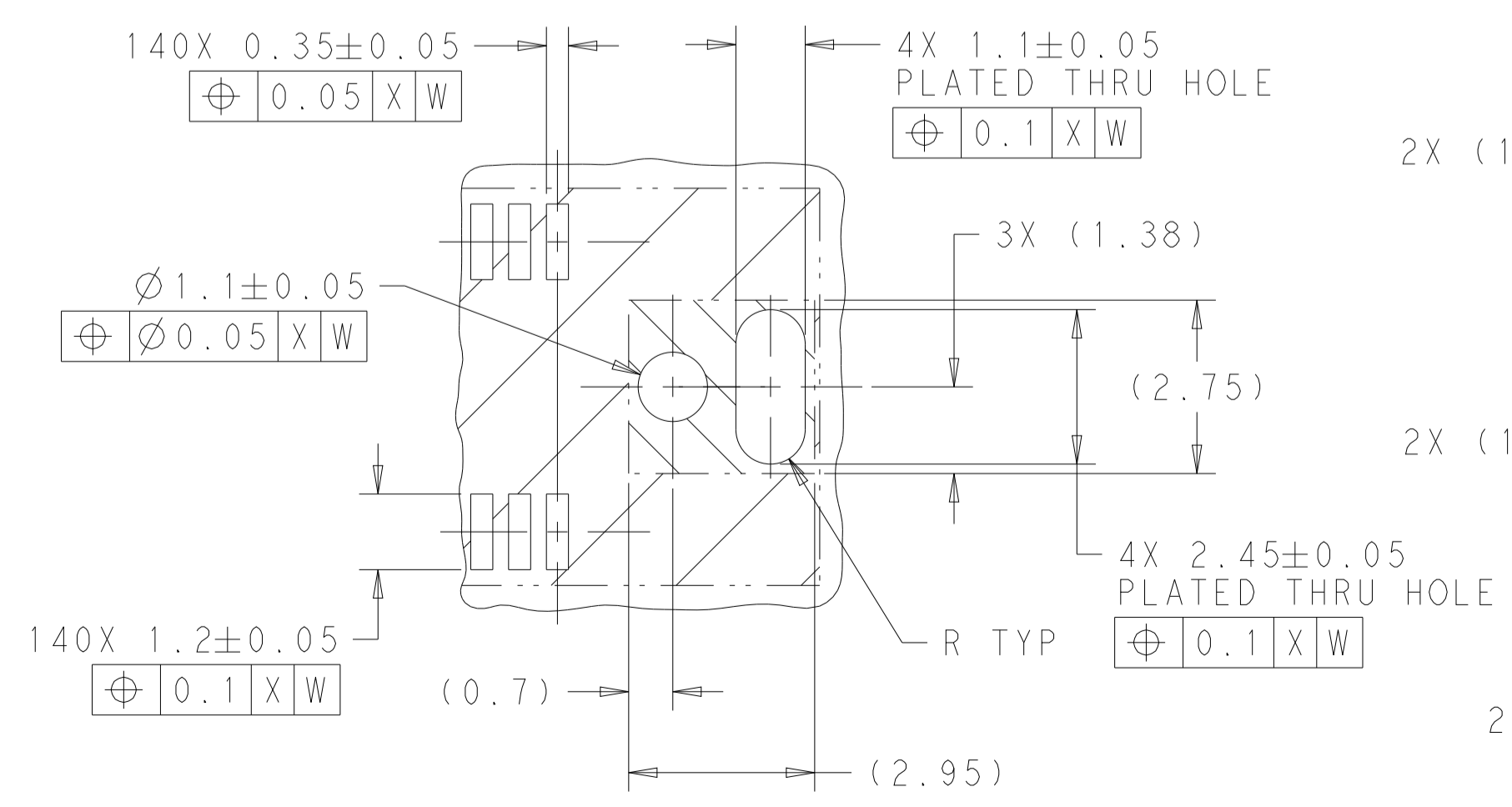
RECOMMENDED PCB LAYOUT AND KEEP OUT AREA



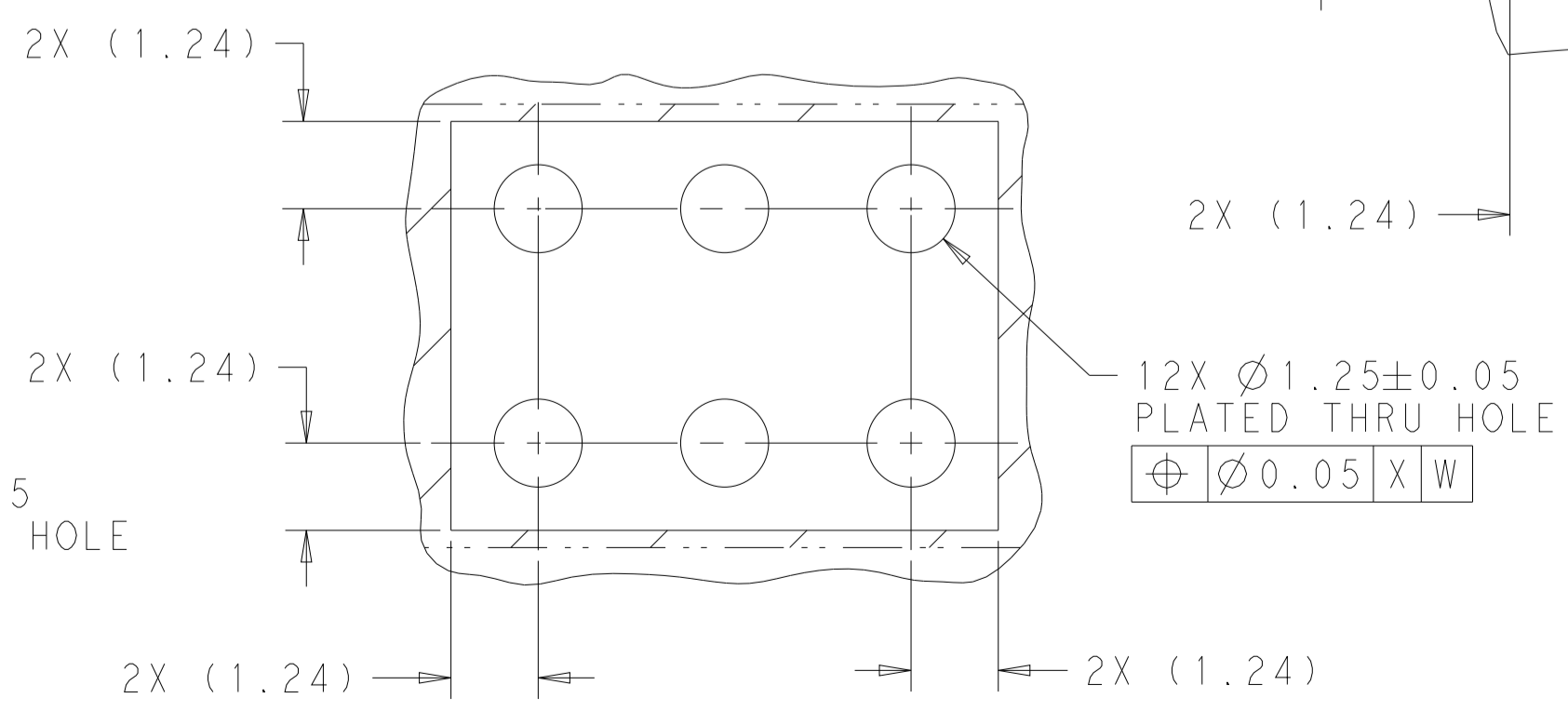
OPTIONAL LAYOUT FOR POWER MODULE SCALE 10:1



DETAIL EE SCALE 10:1



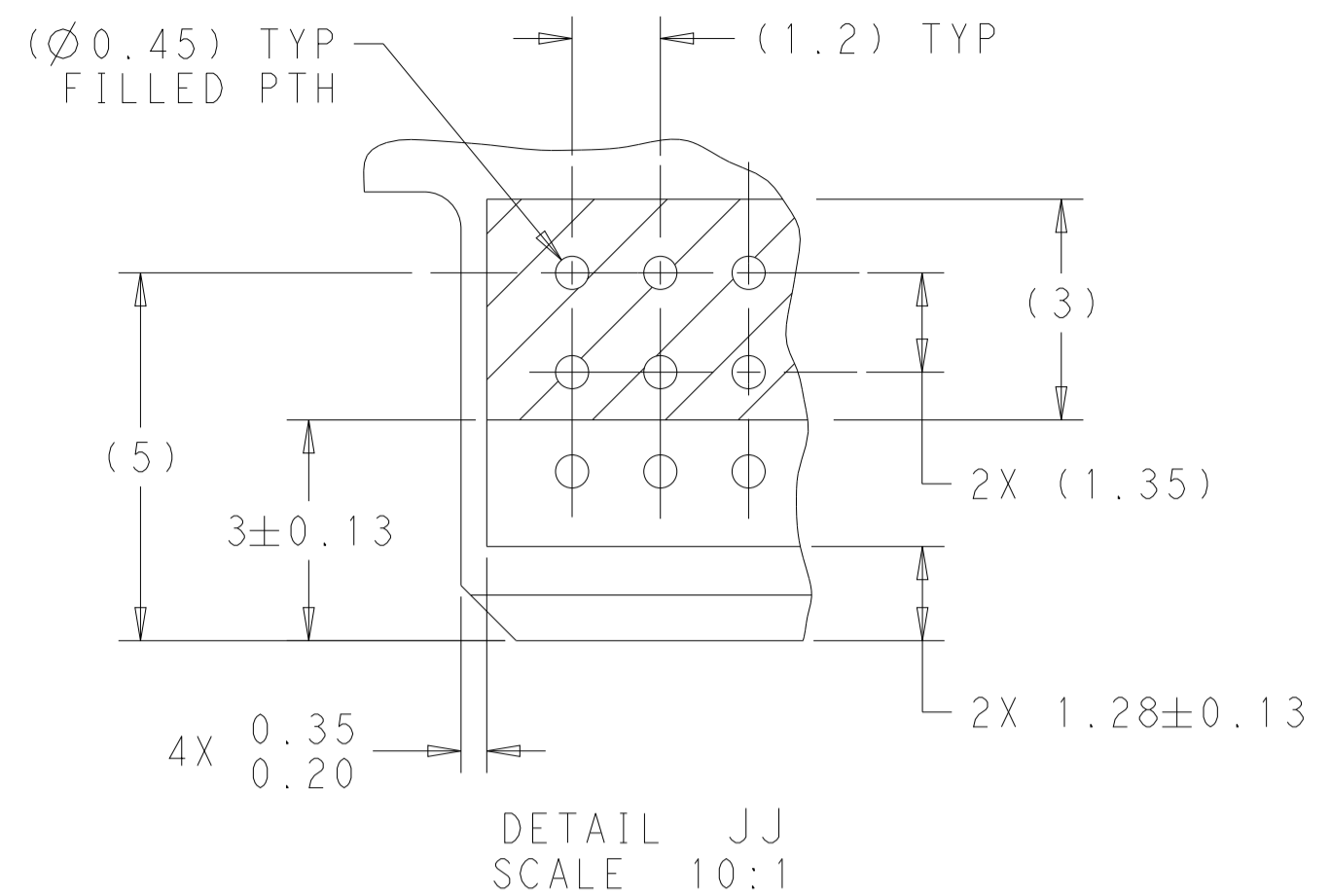
DETAIL AA SCALE 10:1



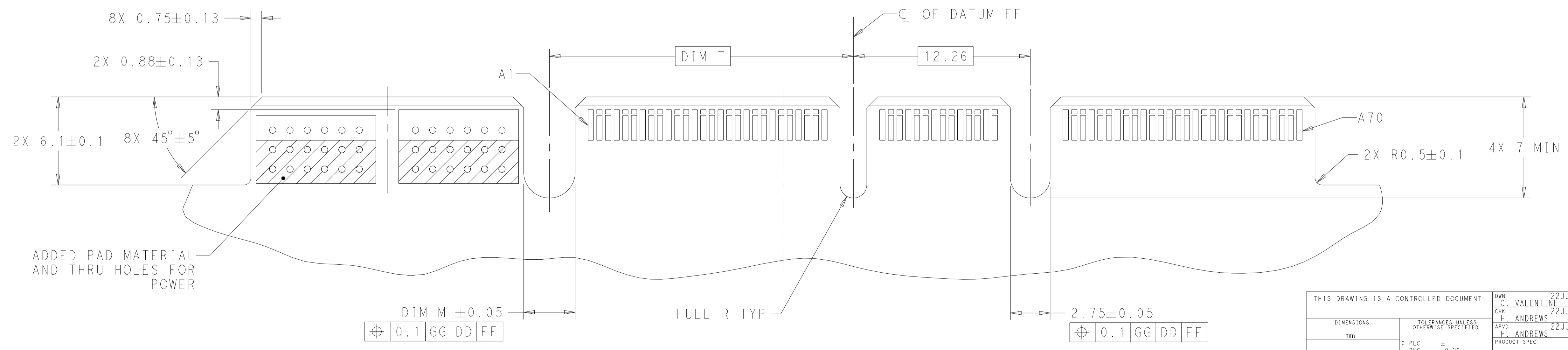
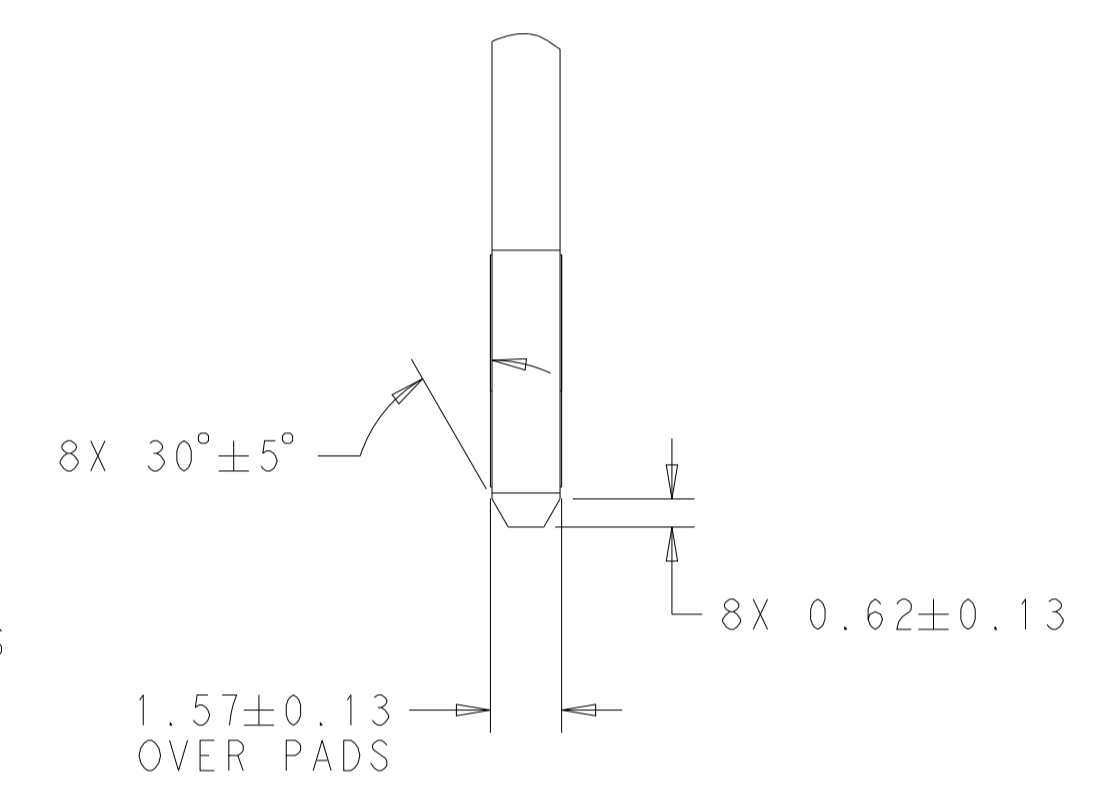
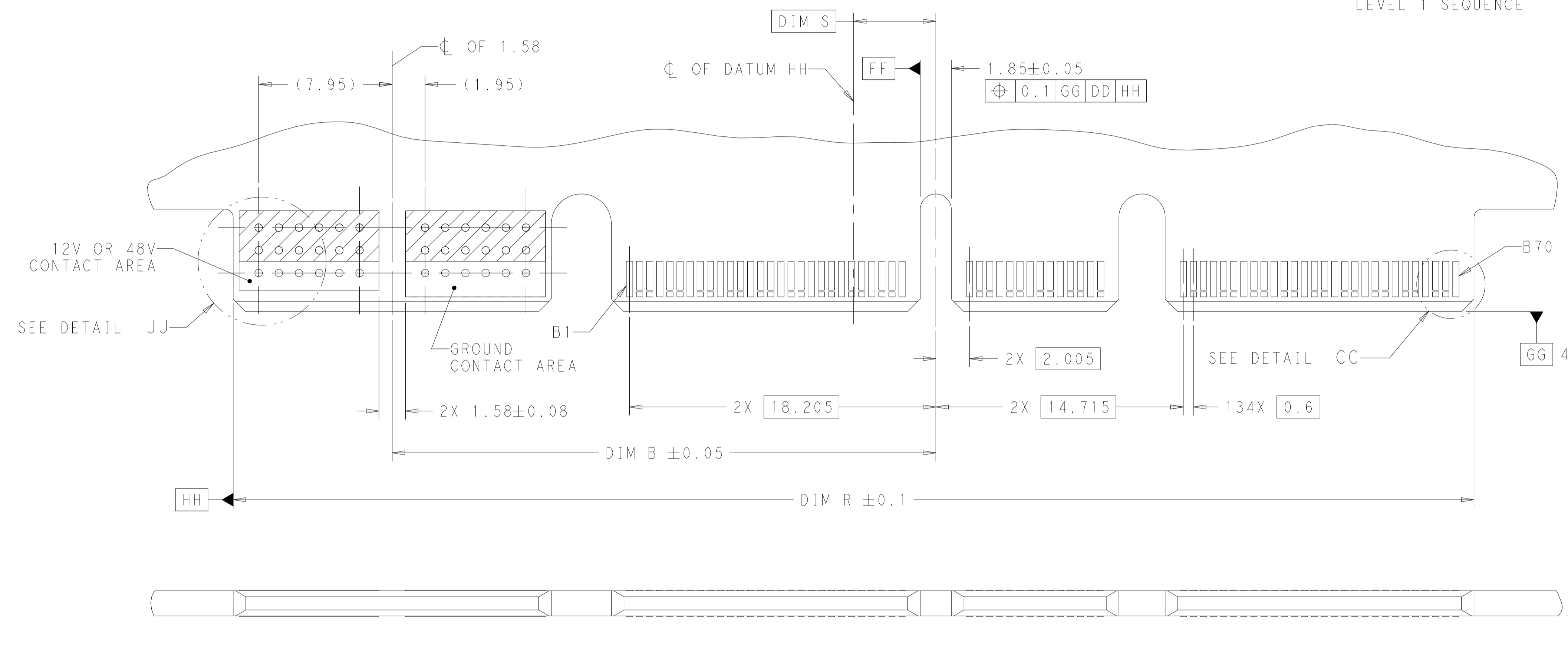
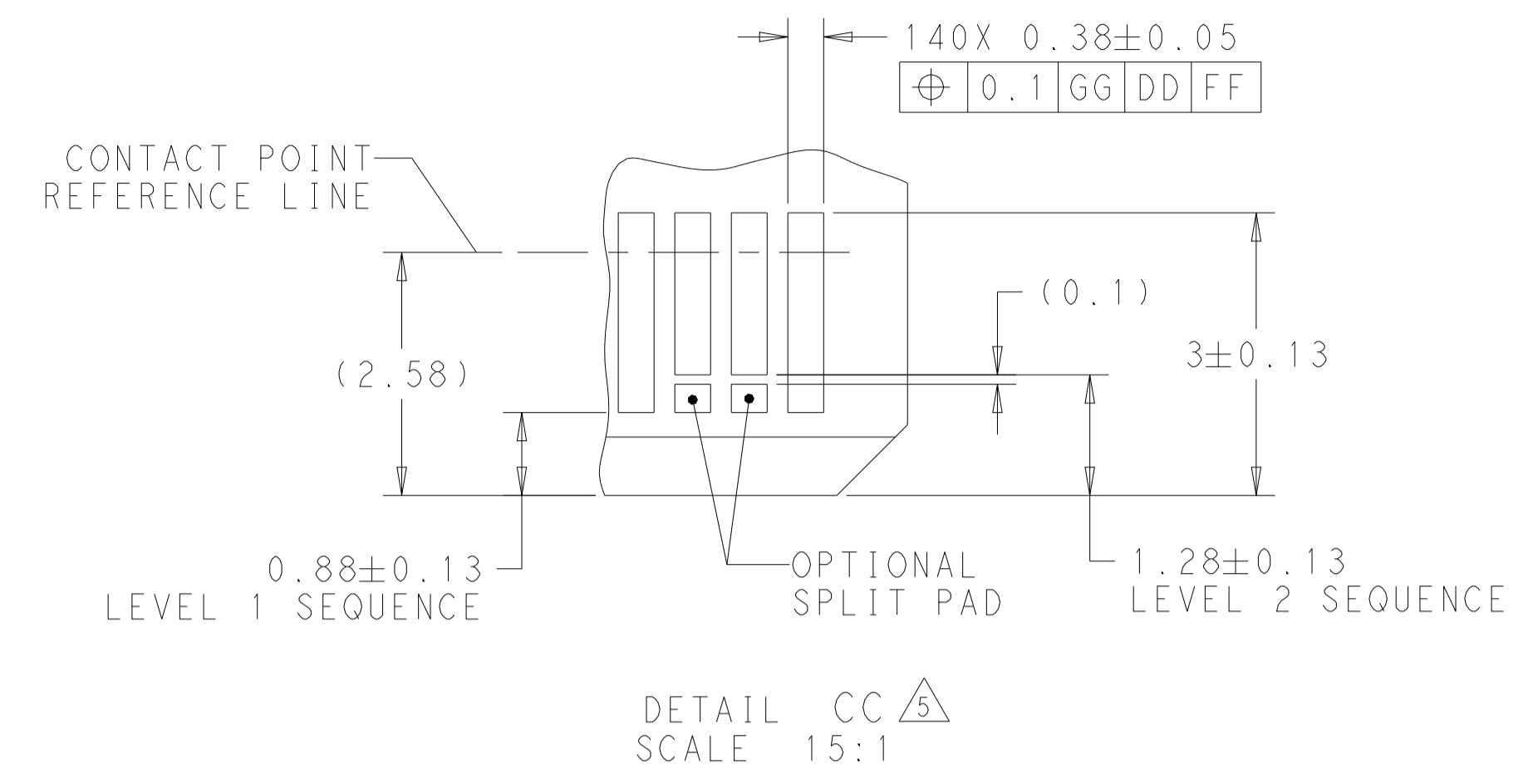
DETAIL BB SCALE 10:1

THIS DRAWING IS A CONTROLLED DOCUMENT.		DWN C. VALENTINE 22 JUN 2018	TE Connectivity
DIMENSIONS:		CHK H. ANDREWS 22 JUN 2018	
mm	0 PLC ±0.20	APVD H. ANDREWS 22 JUN 2018	NAME RECEPTACLE ASSEMBLY, 4C WITH HIGH POWER, SLIVER 2.0
	2 PLC ±0.20	PRODUCT SPEC	APPLICATION SPEC
	3 PLC ±0.20	APPLICATION SPEC	SIZE CAGE CODE DRAWING NO
	4 PLC ±0.20	RESTRICTED TO	A100779C=2338718
MATERIAL	ANGLES	WEIGHT	SCALE 6:1 SHEET 2 OF 4 REV C
	FINISH	CUSTOMER DRAWING	

REVISIONS				
P	LTN	DESCRIPTION	DATE	APPD
-	-	SEE SHEET 1	-	-



RECOMMENDED PCB OUTLINE DIMENSIONS.
 TOLERANCE VALUES ARE CRITICAL. PLEASE BE SURE TO DESIGNATE TOLERANCES TO PCB SUPPLIER TO ENSURE OPTIMIZED FUNCTIONALITY.



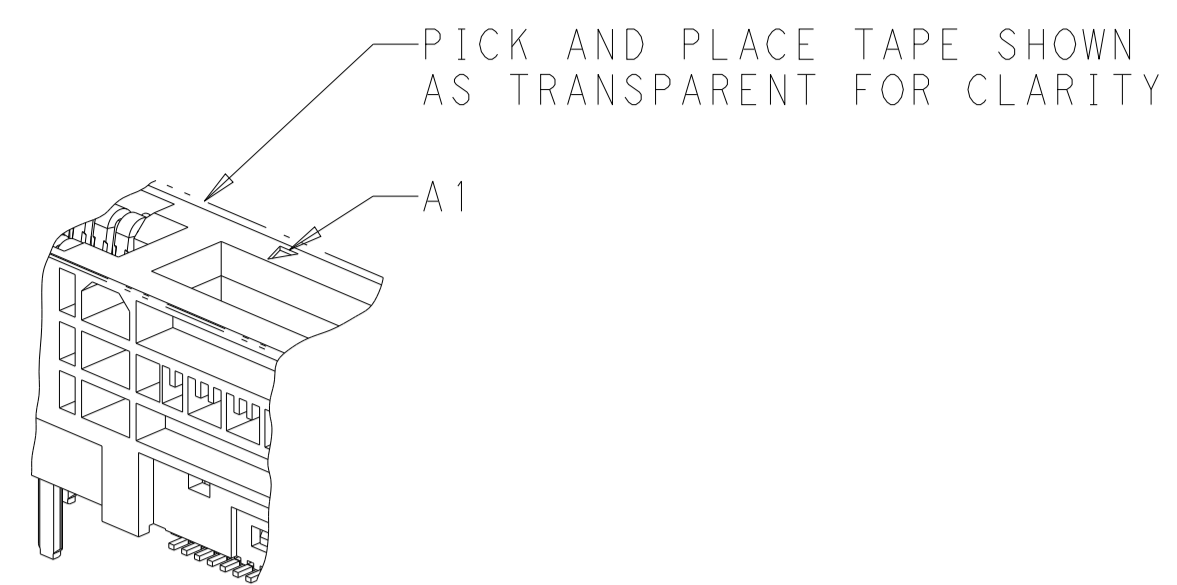
THIS DRAWING IS A CONTROLLED DOCUMENT.

DIMENSIONS:	TOLERANCES UNLESS OTHERWISE SPECIFIED:	DWN C. VALENTINE 22 JUN 2018	TE Connectivity
mm	0 PLC ±0.20	CHK H. ANDREWS 22 JUN 2018	
	2 PLC ±0.20	APPD H. ANDREWS 22 JUN 2018	
	3 PLC ±0.20	NAME RECEPTACLE ASSEMBLY, 4C WITH HIGH POWER, SLIVER 2.0	
MATERIAL	FINISH	PRODUCT SPEC	RESTRICTED TO
		APPLICATION SPEC	SIZE CAGE CODE DRAWING NO
		WEIGHT	A100779C=2338718
		CUSTOMER DRAWING	SCALE 6:1 SHEET 3 OF 4 REV C

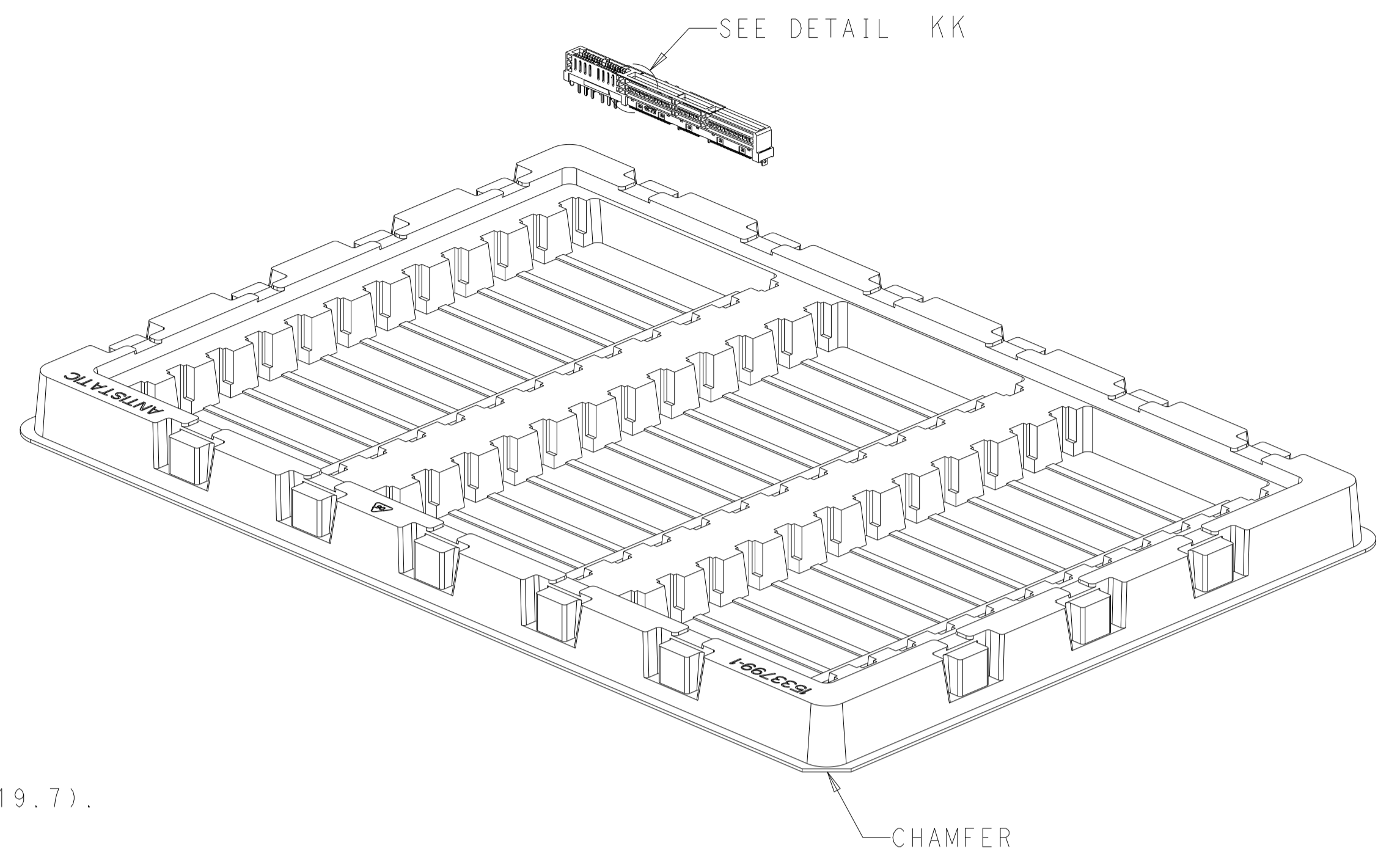
REVISIONS				
P	LTN	DESCRIPTION	DATE	APVD
-	-	SEE SHEET 1	-	-

CONTACT NUMBER	SIDE A	SIDE B
1	GROUND	GROUND
2	SIGNAL	SIGNAL
3	SIGNAL	SIGNAL
4	GROUND	GROUND
5	SIGNAL	SIGNAL
6	SIGNAL	SIGNAL
7	GROUND	GROUND
8	SIGNAL	SIGNAL
9	SIGNAL	SIGNAL
10	GROUND	GROUND
11	SIGNAL	SIGNAL
12	SIGNAL	SIGNAL
13	GROUND	GROUND
14	SIGNAL	SIGNAL
15	SIGNAL	SIGNAL
16	GROUND	GROUND
17	SIGNAL	SIGNAL
18	SIGNAL	SIGNAL
19	GROUND	GROUND
20	SIGNAL	SIGNAL
21	SIGNAL	SIGNAL
22	GROUND	GROUND
23	SIGNAL	SIGNAL
24	SIGNAL	SIGNAL
25	GROUND	GROUND
26	SIGNAL	SIGNAL
27	SIGNAL	SIGNAL
28	GROUND	GROUND
29	GROUND	GROUND
30	SIGNAL	SIGNAL
31	SIGNAL	SIGNAL
32	GROUND	GROUND
33	SIGNAL	SIGNAL
34	SIGNAL	SIGNAL
35	GROUND	GROUND

CONTACT NUMBER	SIDE A	SIDE B
36	SIGNAL	SIGNAL
37	SIGNAL	SIGNAL
38	GROUND	GROUND
39	SIGNAL	SIGNAL
40	SIGNAL	SIGNAL
41	GROUND	GROUND
42	GROUND	GROUND
43	GROUND	GROUND
44	SIGNAL	SIGNAL
45	SIGNAL	SIGNAL
46	GROUND	GROUND
47	SIGNAL	SIGNAL
48	SIGNAL	SIGNAL
49	GROUND	GROUND
50	SIGNAL	SIGNAL
51	SIGNAL	SIGNAL
52	GROUND	GROUND
53	SIGNAL	SIGNAL
54	SIGNAL	SIGNAL
55	GROUND	GROUND
56	SIGNAL	SIGNAL
57	SIGNAL	SIGNAL
58	GROUND	GROUND
59	SIGNAL	SIGNAL
60	SIGNAL	SIGNAL
61	GROUND	GROUND
62	SIGNAL	SIGNAL
63	SIGNAL	SIGNAL
64	GROUND	GROUND
65	SIGNAL	SIGNAL
66	SIGNAL	SIGNAL
67	GROUND	GROUND
68	SIGNAL	SIGNAL
69	SIGNAL	SIGNAL
70	GROUND	GROUND



DETAIL KK
SCALE 4:1

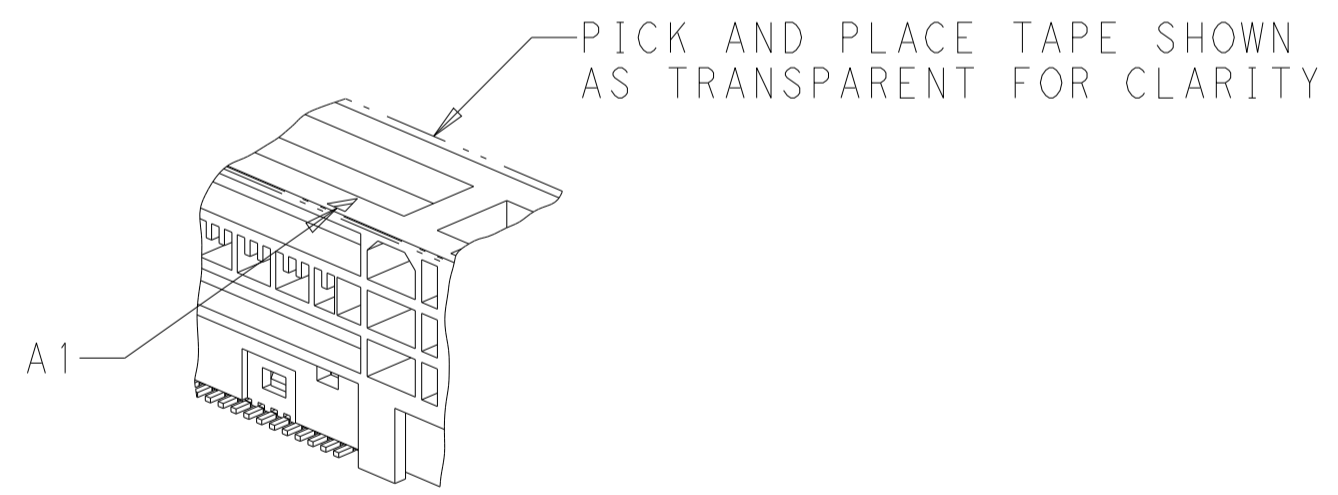
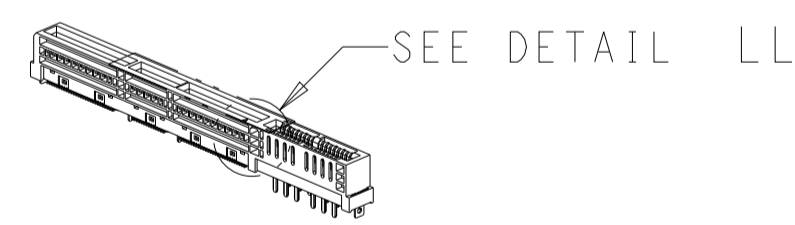


SOFT TRAY

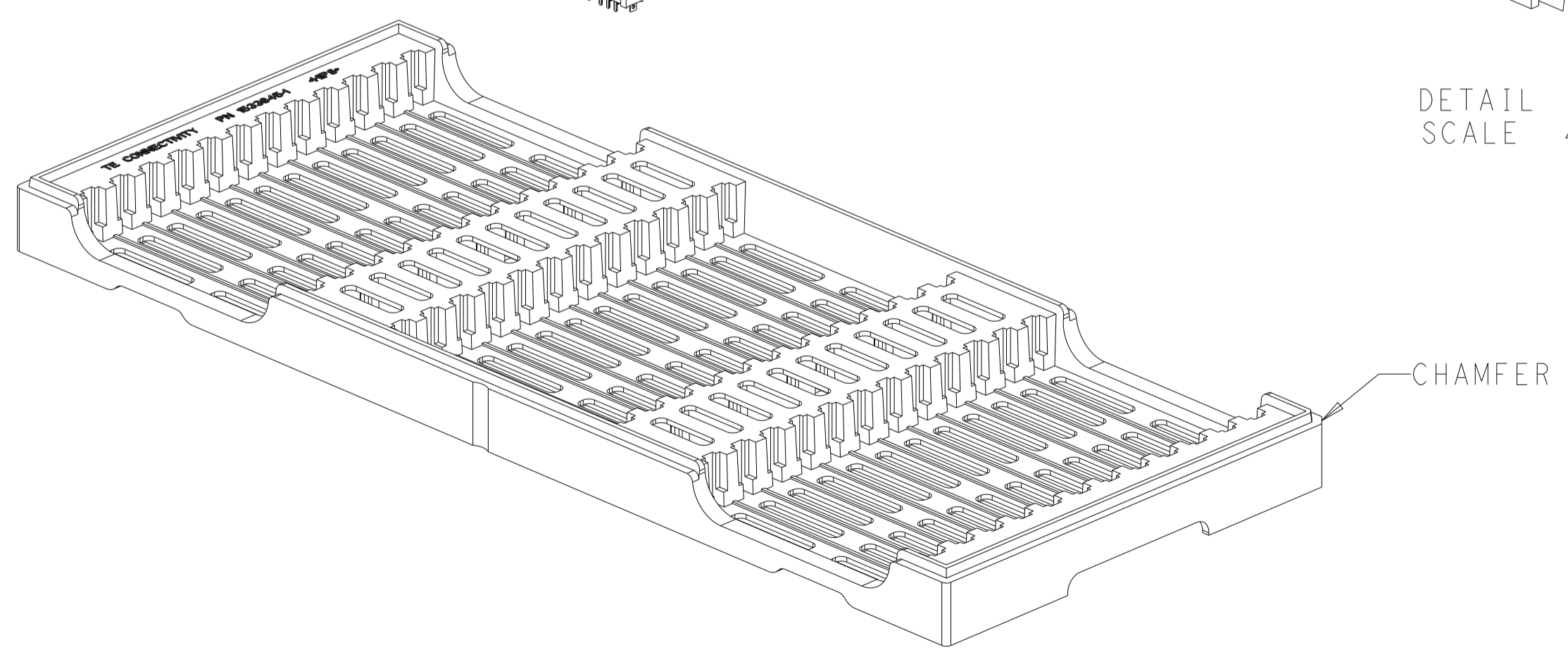
- DIMENSIONS:
TRAY L= (335), W= (230), H= (19.7).
- QUANTITY:
36 PIECES PER TRAY.
720 PIECES PER BOX.

FIGURE 1
SOFT TRAY PACKAGING
2338718-1 AND 2338718-2
SCALE 3:4

CONNECTOR CONTACT IDENTIFICATION  




DETAIL LL
SCALE 4:1



HARD TRAY

- MATERIAL:
TRAY- HIPS, COLOR: BLACK.
BOX- CORRUGATED FIBERBOARD.
TRANSPARENT BAG- PE.
- DIMENSIONS:
TRAY- L= 330, W= 136, H= 17.5.
BOX- L= 13.75 IN, W= 11.75 IN, H= 5.75 IN.
- QUANTITY:
36 PIECES PER TRAY.
432 PIECES PER BOX.

FIGURE 2
HARD TRAY PACKAGING
2338718-3 TO 1-2338718-0
SCALE 3:4

THIS DRAWING IS A CONTROLLED DOCUMENT.		OWN C. VALENTINE 22 JUN 2018	 TE Connectivity
DIMENSIONS: mm		CHK H. ANDREWS 22 JUN 2018	
TOLERANCES UNLESS OTHERWISE SPECIFIED:		APVD H. ANDREWS 22 JUN 2018	NAME RECEPTACLE ASSEMBLY, 4C WITH HIGH POWER, SLIVER 2.0
0 PLC ±	1 PLC ±0.20	PRODUCT SPEC	SIZE CAGE CODE DRAWING NO
2 PLC ±0.20	3 PLC ±	APPLICATION SPEC	A100779C=2338718
4 PLC ±	ANGLES ±	WEIGHT	RESTRICTED TO
MATERIAL FINISH		CUSTOMER DRAWING	SCALE 6:1 SHEET 4 OF 4 REV C