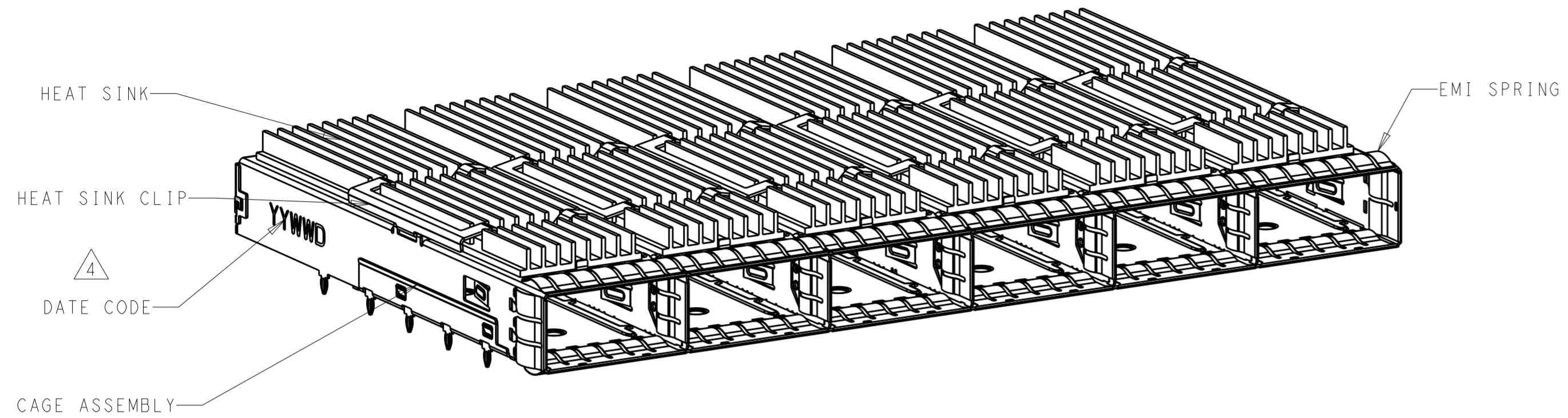
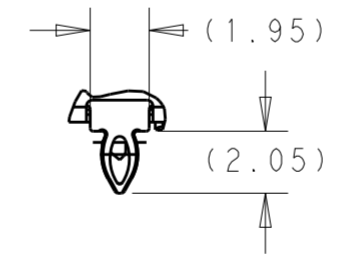
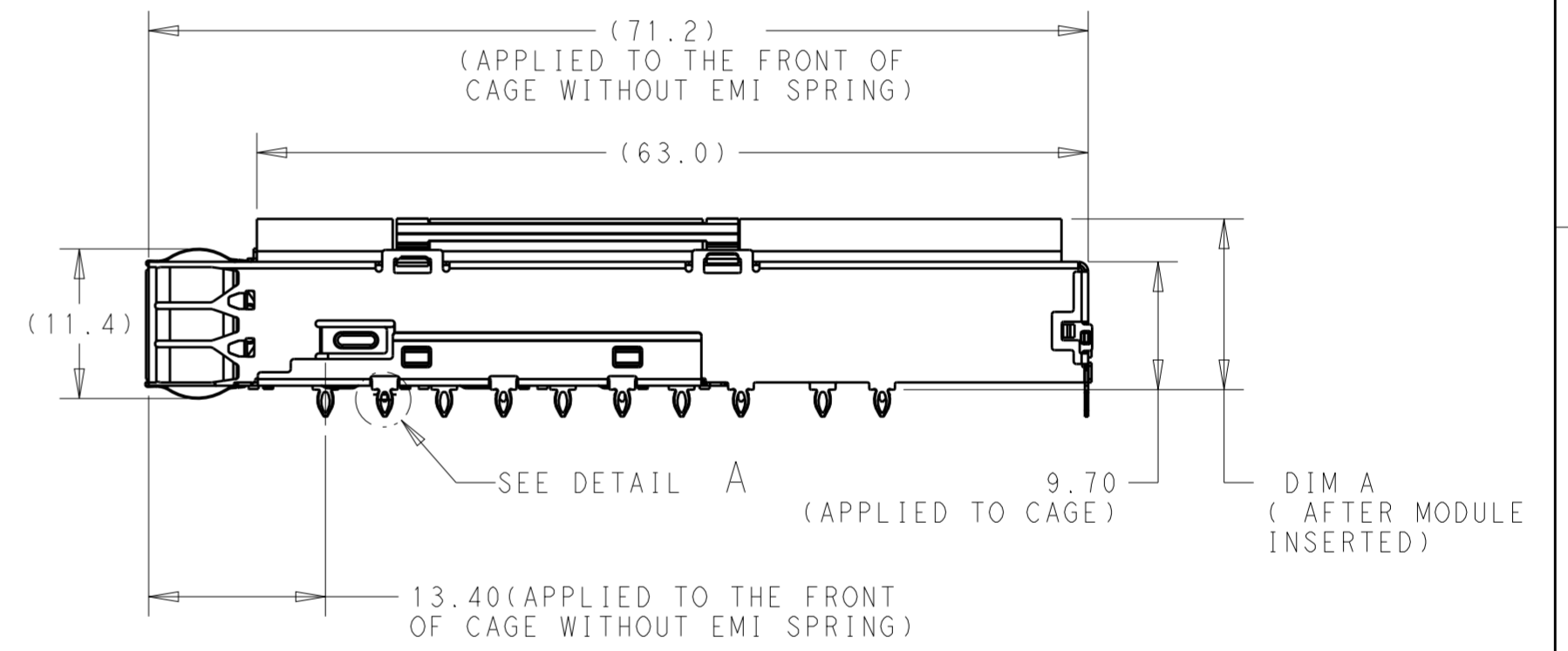
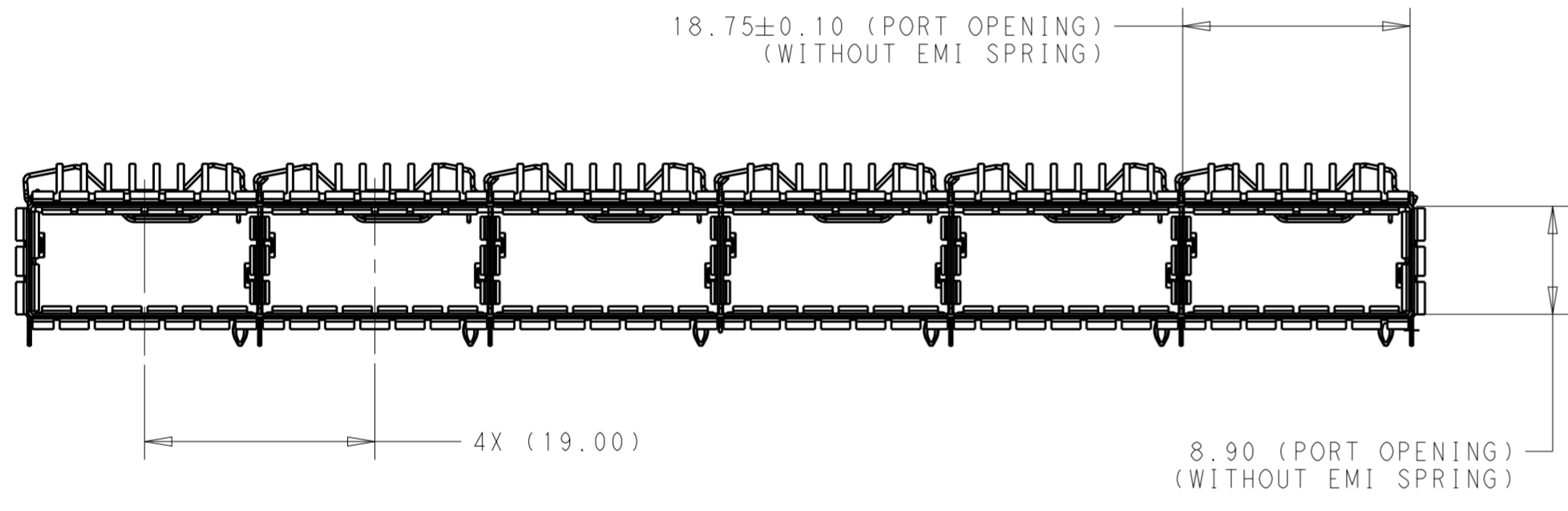


THIS DRAWING IS UNPUBLISHED. RELEASED FOR PUBLICATION 20
 © COPYRIGHT 20 BY - ALL RIGHTS RESERVED.

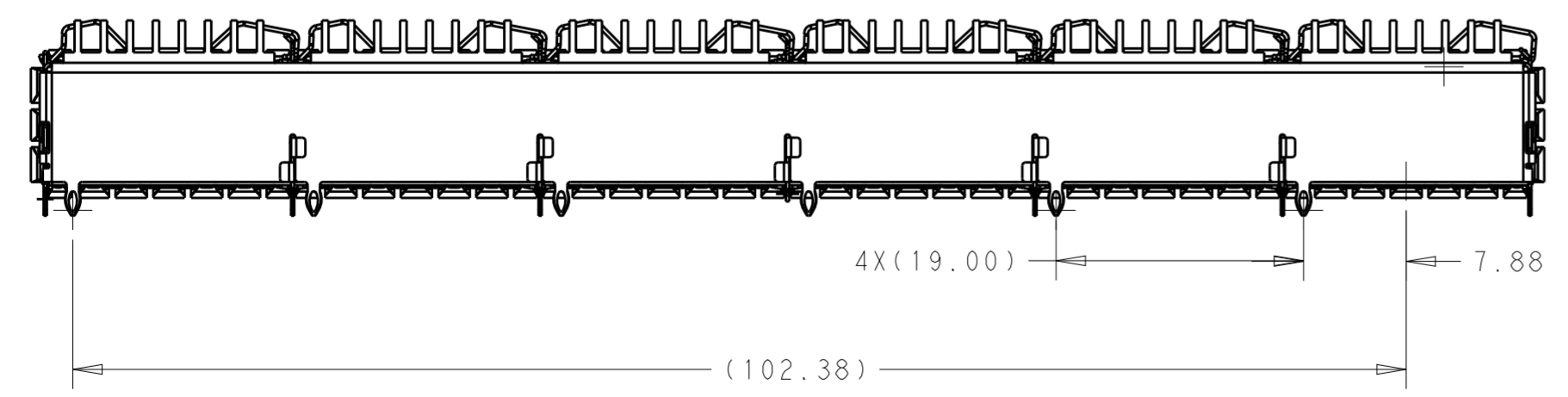
REVISIONS				
P	LTR	DESCRIPTION	DATE	APVD
1		INITIAL RELEASE	23AUG2018	SH SH
2		ADDED DIMENSION FOR PLUGGED IN	09NOV2018	SH SH
A		INITIAL RELEASE	12JUN2019	SH SH



- 1 CAGE ASSEMBLY: STAINLESS STEEL
HEAT SINK: ALUMINUM/ANODIZED BLACK
HEAT SINK CLIP: STAINLESS STEEL
EMI SPRING: COPPER ALLOY/ NICKEL PLATED
- 2 REFERENCE APPLICATION SPECIFICATION 114-60025 FOR RECOMMENDED DRILL HOLE DIAMETER AND PLATING THICKNESS. BOARD LAYOUT PER THIS PRINT.
- 3 DATUM AND BASIC DIMENSION ESTABLISHED BY CUSTOMER
- 4 DATE CODE(YYWWD) MARKED APPROXIMATELY AS SHOWN.
- 5. MATES WIHT QSFP-DD MSA COMPATIBLE TRANSCEIVER.
- 6. MINIMUM PC BOARD THICKNESS:
SINGLE SIDED: 1.57 MIN
DOUBLE SIDED: 3.00 MIN



DETAIL A
SCALE 4:1



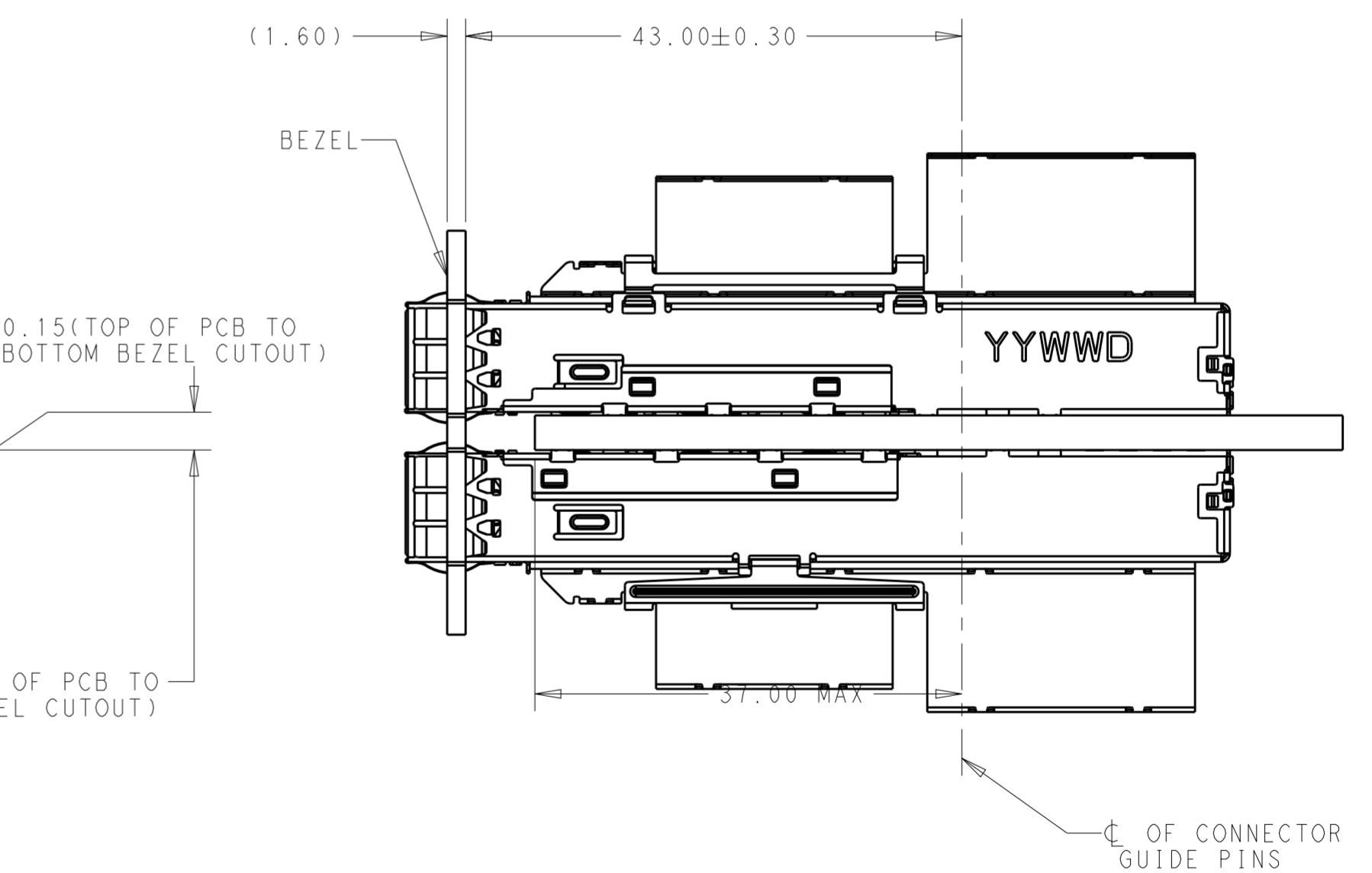
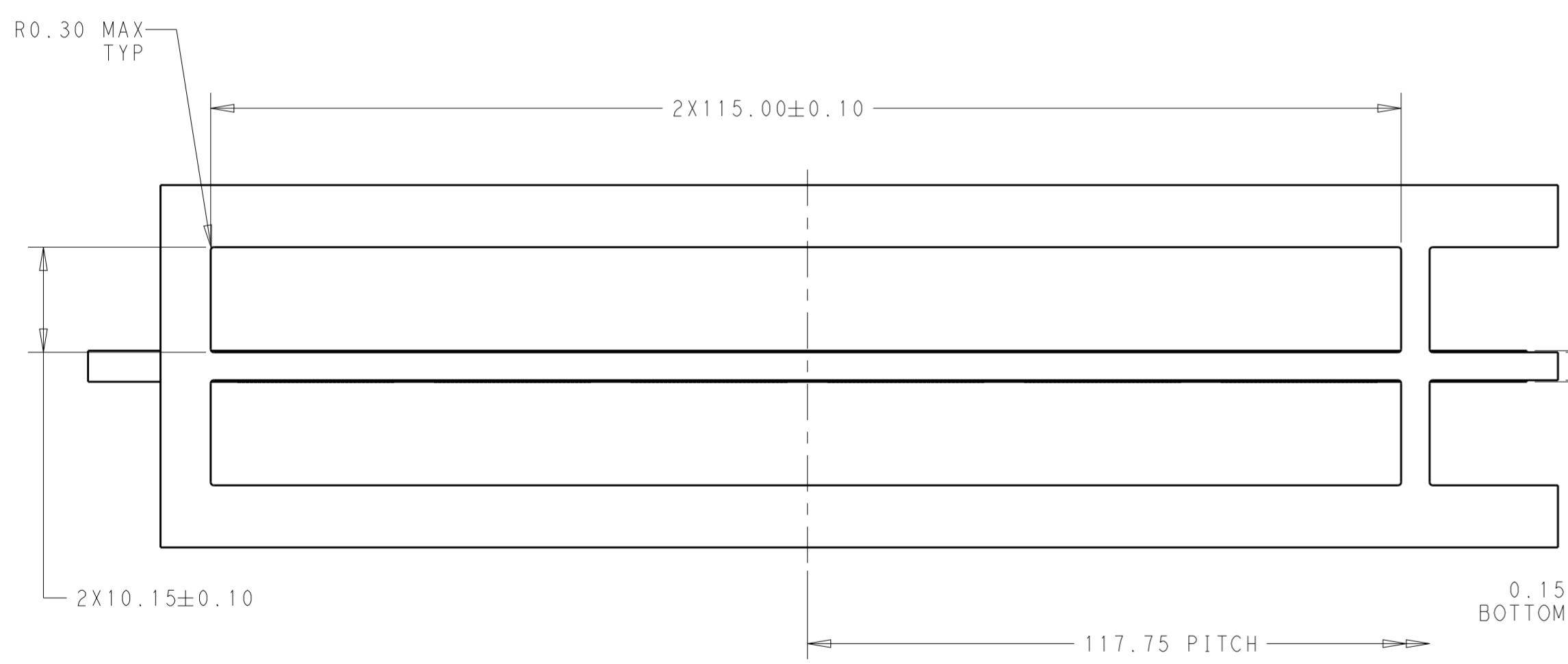
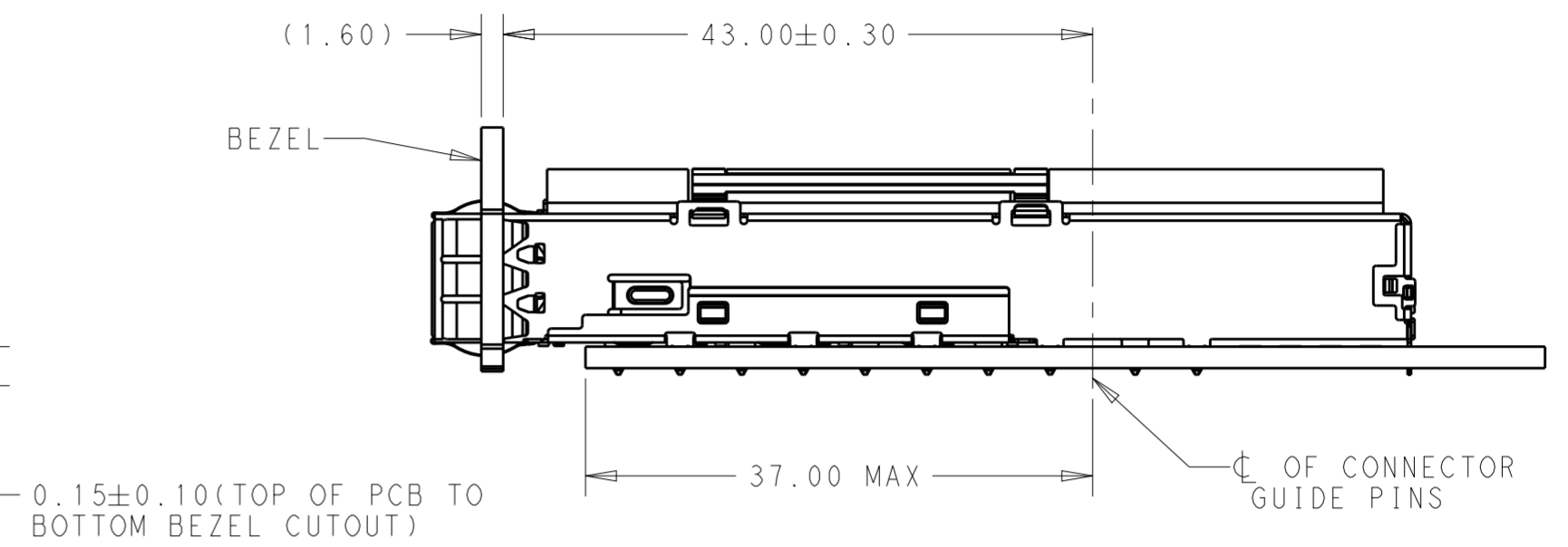
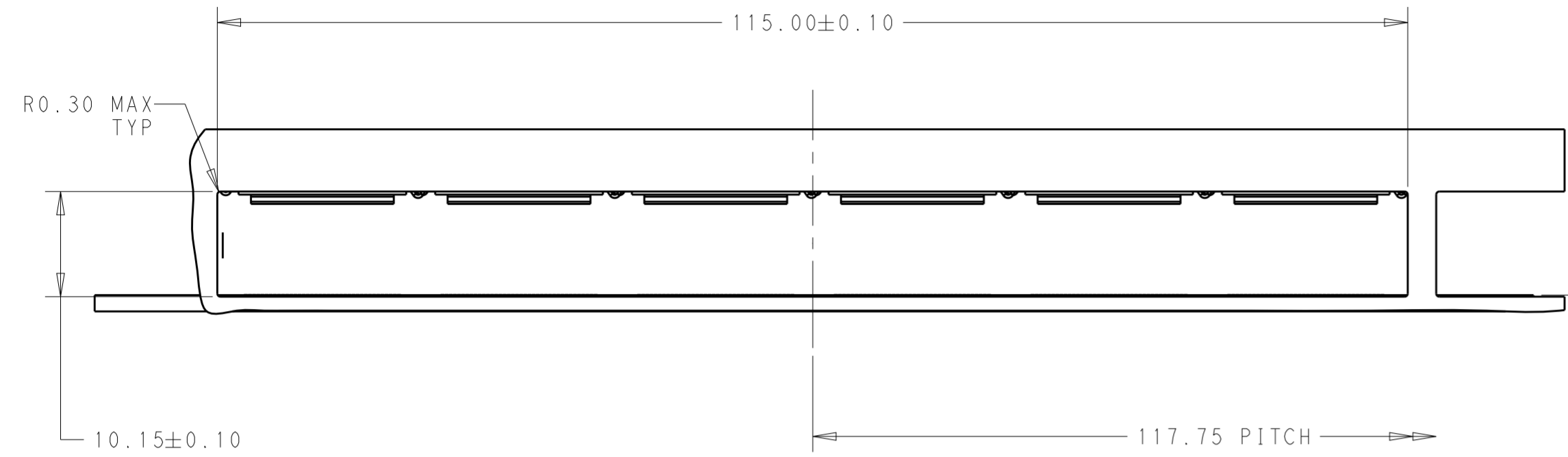
SCALE 2:1

NET	23.00	2342891-3	CAGE ASSY WITH NET HS	3
SAN	16.00	2342891-2	CAGE ASSY WITH SAN HS	2
PCI	13.70	2342891-1	CAGE ASSY WITH PCI HS	1
HS SPECIFICATION	DIM A	PART NUMBER	DESCRIPTION	ITEM

THIS DRAWING IS A CONTROLLED DOCUMENT.		DWN STEPHEN HE	23AUG2018	STE TE Connectivity													
DIMENSIONS: mm		CHK SEAN HAN	23AUG2018														
TOLERANCES UNLESS OTHERWISE SPECIFIED:		APVD SEAN HAN	23AUG2018														
<table border="1"> <tr><td>0 PLC</td><td>±0.25</td></tr> <tr><td>1 PLC</td><td>±0.25</td></tr> <tr><td>2 PLC</td><td>±0.25</td></tr> <tr><td>3 PLC</td><td>±</td></tr> <tr><td>4 PLC</td><td>±</td></tr> <tr><td>ANGLES</td><td>±1</td></tr> <tr><td>FINISH</td><td>-</td></tr> </table>		0 PLC	±0.25		1 PLC	±0.25	2 PLC	±0.25	3 PLC	±	4 PLC	±	ANGLES	±1	FINISH	-	PRODUCT SPEC -
0 PLC	±0.25																
1 PLC	±0.25																
2 PLC	±0.25																
3 PLC	±																
4 PLC	±																
ANGLES	±1																
FINISH	-																
MATERIAL	-	APPLICATION SPEC -	WEIGHT -	SIZE A2													
CUSTOMER DRAWING		SCALE 1:1		DRAWING NO C-2342891													
		SHEET 1 OF 5		RESTRICTED TO - REV A													

THIS DRAWING IS UNPUBLISHED. RELEASED FOR PUBLICATION 20
 © COPYRIGHT 20 BY - ALL RIGHTS RESERVED.

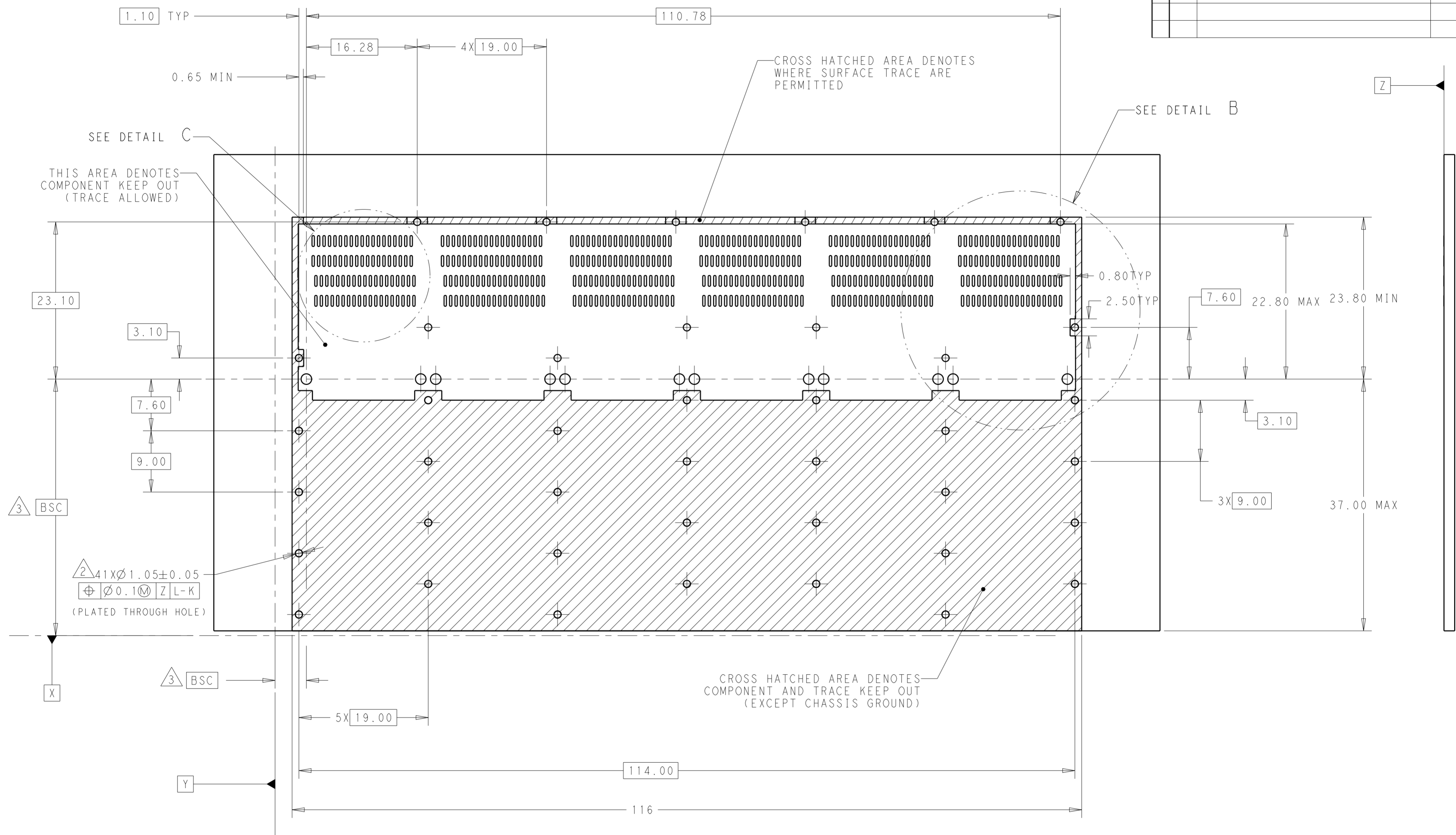
REVISIONS				
P	LTR	DESCRIPTION	DATE	APVD
-	-	SEE SHEET 1	-	-



THIS DRAWING IS A CONTROLLED DOCUMENT.		DWN 23AUG2018 STEPHEN HE	TE Connectivity	
DIMENSIONS: mm		CHK 23AUG2018 SEAN HAN		
TOLERANCES UNLESS OTHERWISE SPECIFIED:		APVD 23AUG2018 SEAN HAN	NAME CAGE ASSEMBLY WIHT HEAT SINK FOR GM QSFP-DD 1X6 EXTRUSION	
0 PLC ±0.25	1 PLC ±0.25	PRODUCT SPEC -	SIZE A2	CAGE CODE -
2 PLC ±0.25	3 PLC ±	APPLICATION SPEC -	DRAWING NO C-2342891	RESTRICTED TO -
4 PLC ±	ANGLES ±1	WEIGHT -	SCALE 1:1	SHEET 2 OF 5
MATERIAL -	FINISH -	CUSTOMER DRAWING	REV A	

THIS DRAWING IS UNPUBLISHED. RELEASED FOR PUBLICATION 20
 © COPYRIGHT 20 BY - ALL RIGHTS RESERVED.

REVISIONS				
P	LTR	DESCRIPTION	DATE	APVD
-	-	SEE SHEET 1	-	-

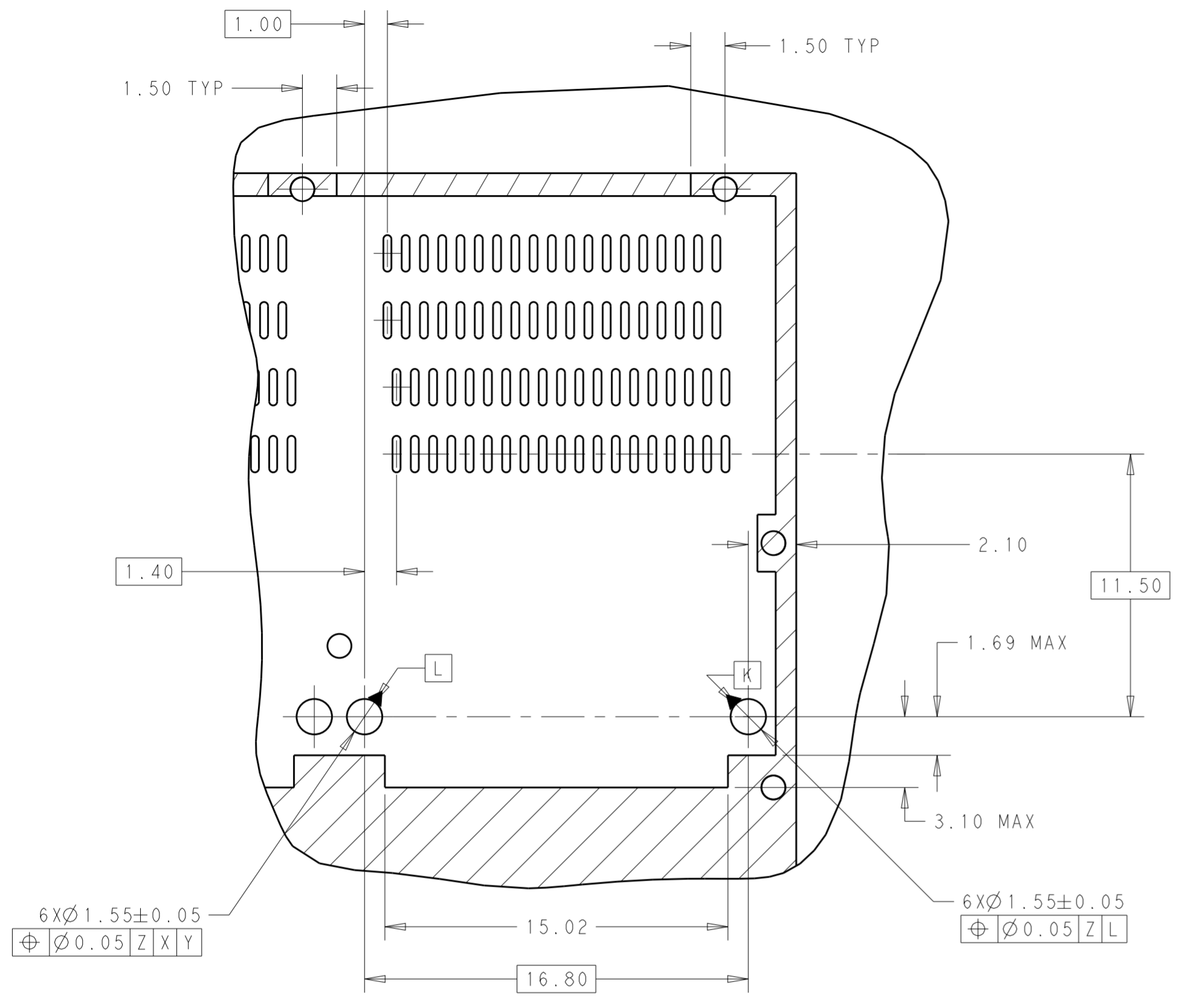


RECOMMENDED PCB LAYOUT
 SINGLE TYPE
 COMPONENT SIDE VIEW

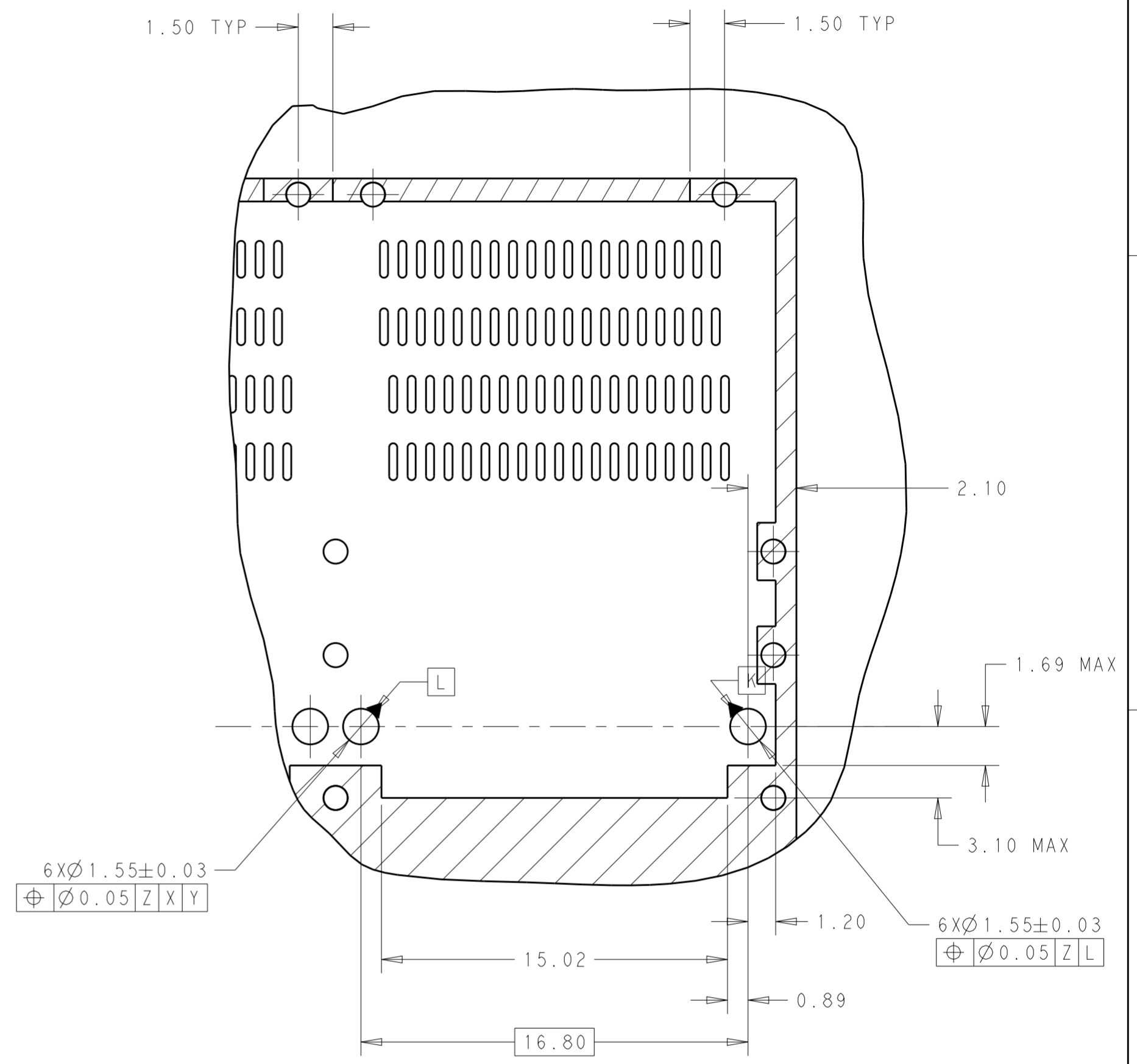
THIS DRAWING IS A CONTROLLED DOCUMENT.		DWN STEPHEN HE 23AUG2018	TE Connectivity	
		CHK SEAN HAN 23AUG2018		
		APVD SEAN HAN 23AUG2018	NAME CAGE ASSEMBLY WIHT HEAT SINK FOR GM QSFP-DD 1X6 EXTRUSION	
DIMENSIONS: mm		TOLERANCES UNLESS OTHERWISE SPECIFIED:		PRODUCT SPEC -
		0 PLC ±0.25 1 PLC ±0.25 2 PLC ±0.25 3 PLC ± 4 PLC ± ANGLES ± FINISH ±1		APPLICATION SPEC -
MATERIAL -		WEIGHT -		SIZE A2
		CUSTOMER DRAWING		CAGE CODE - DRAWING NO C-2342891
		SCALE 1:1		RESTRICTED TO -
		SHEET 3 OF 5		REV A

THIS DRAWING IS UNPUBLISHED. RELEASED FOR PUBLICATION 20
 © COPYRIGHT 20 BY - ALL RIGHTS RESERVED.

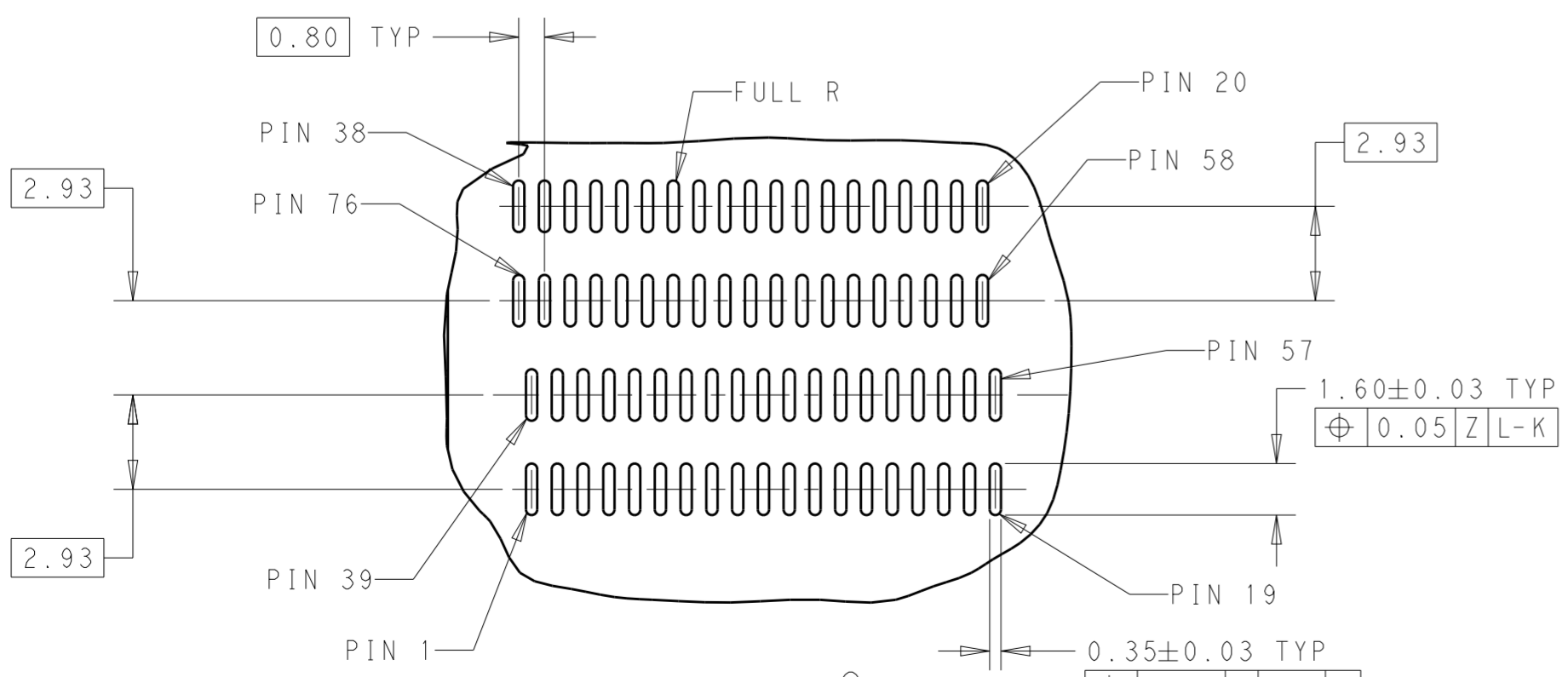
REVISIONS				
P	LTR	DESCRIPTION	DATE	APVD
-	-	SEE SHEET 1	-	-



DETAIL B
SCALE 5:1



DETAIL D
SCALE 5:1



DETAIL C
SCALE 5:1

THIS DRAWING IS A CONTROLLED DOCUMENT.		DWN STEPHEN HE 23AUG2018	TE Connectivity	
DIMENSIONS: mm		CHK SEAN HAN 23AUG2018		
TOLERANCES UNLESS OTHERWISE SPECIFIED:		APVD SEAN HAN 23AUG2018	NAME CAGE ASSEMBLY WIHT HEAT SINK FOR GM QSFP-DD 1X6 EXTRUSION	
0 PLC ±0.25		PRODUCT SPEC	SIZE A2	
1 PLC ±0.25		APPLICATION SPEC	CAGE CODE -	
2 PLC ±0.25		WEIGHT	DRAWING NO C-2342891	
3 PLC ±		CUSTOMER DRAWING	RESTRICTED TO -	
4 PLC ±		SCALE 1:1	SHEET 5 OF 5	
ANGLES ±1		REV A		
FINISH -				