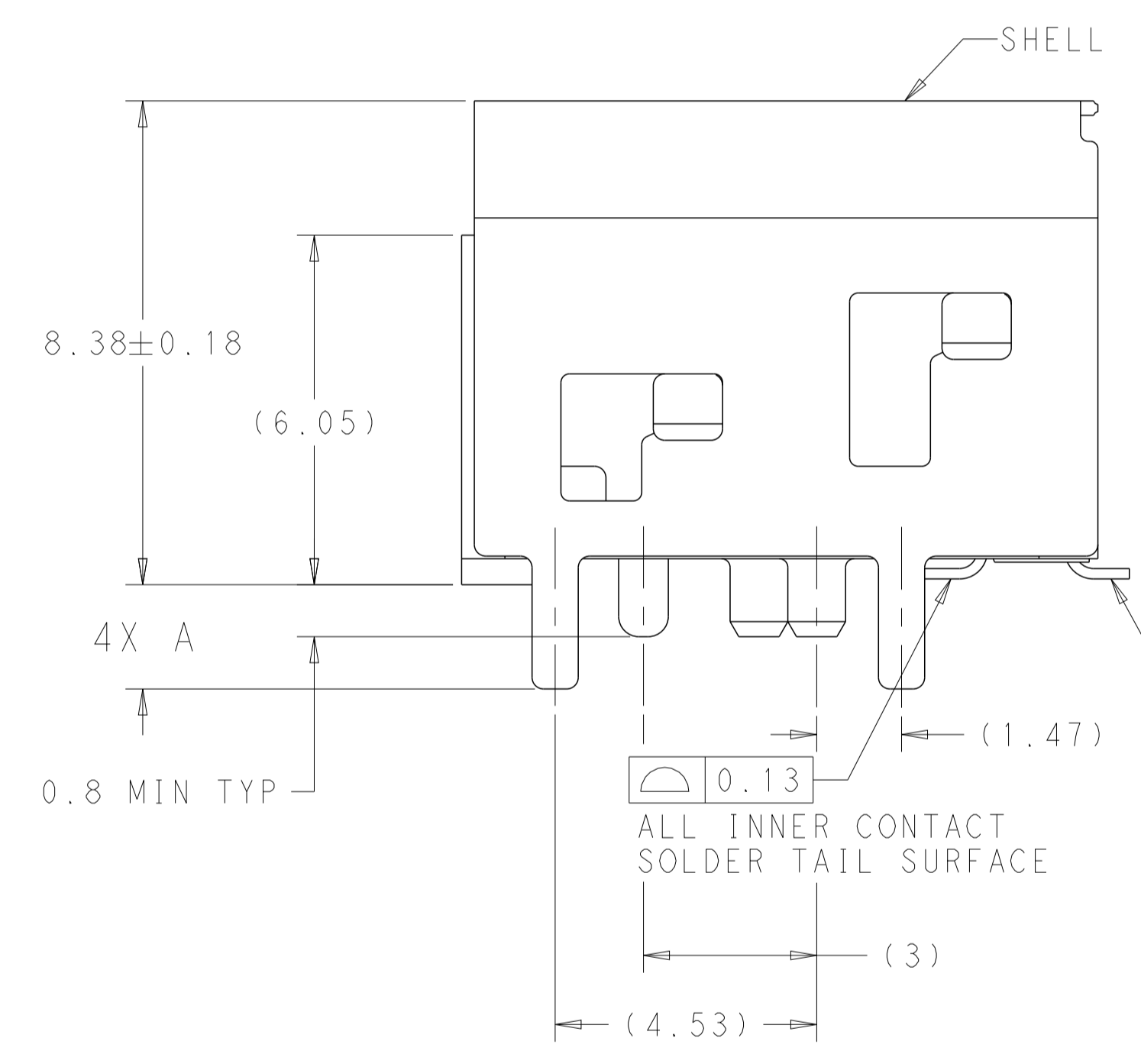
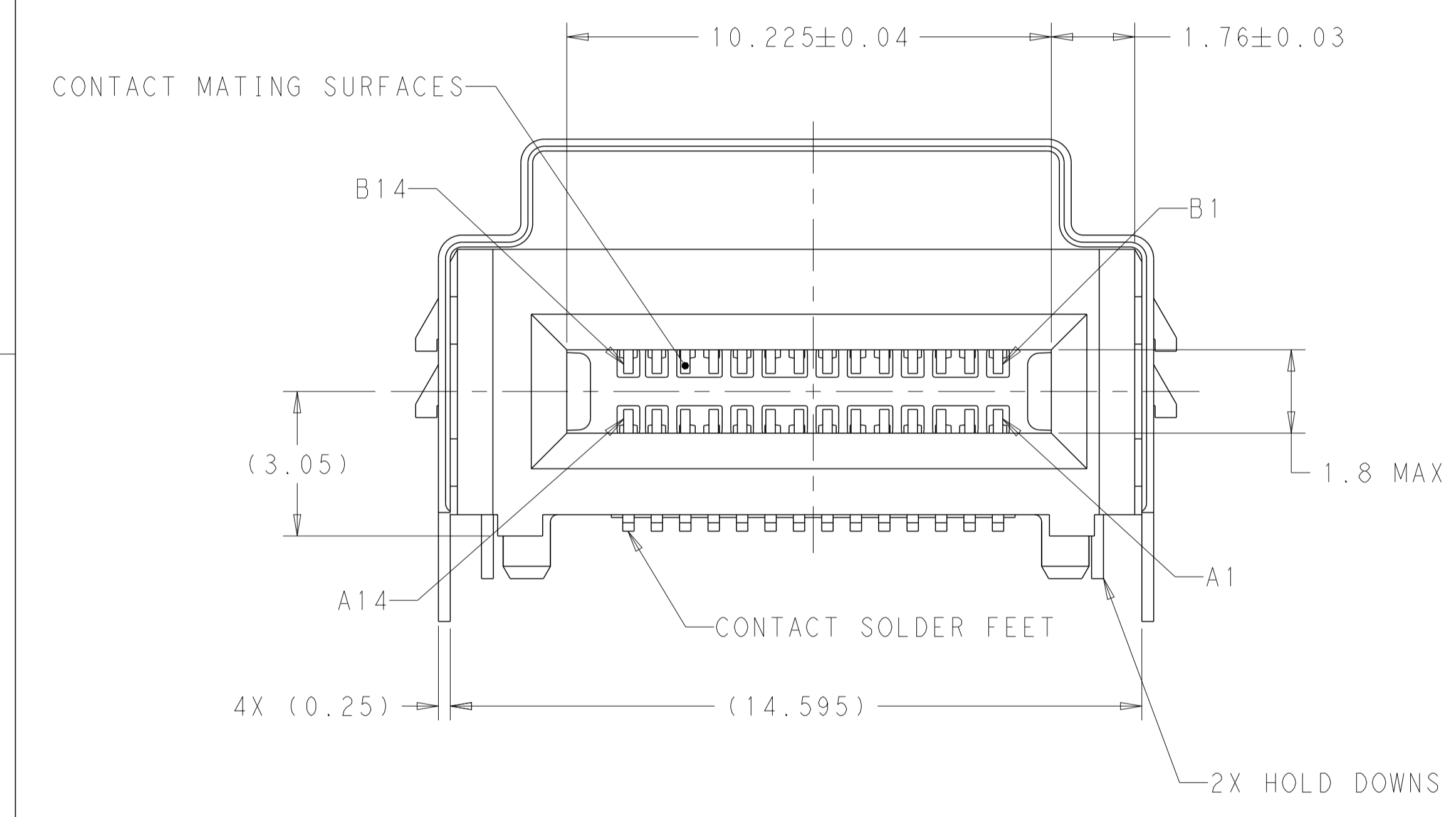
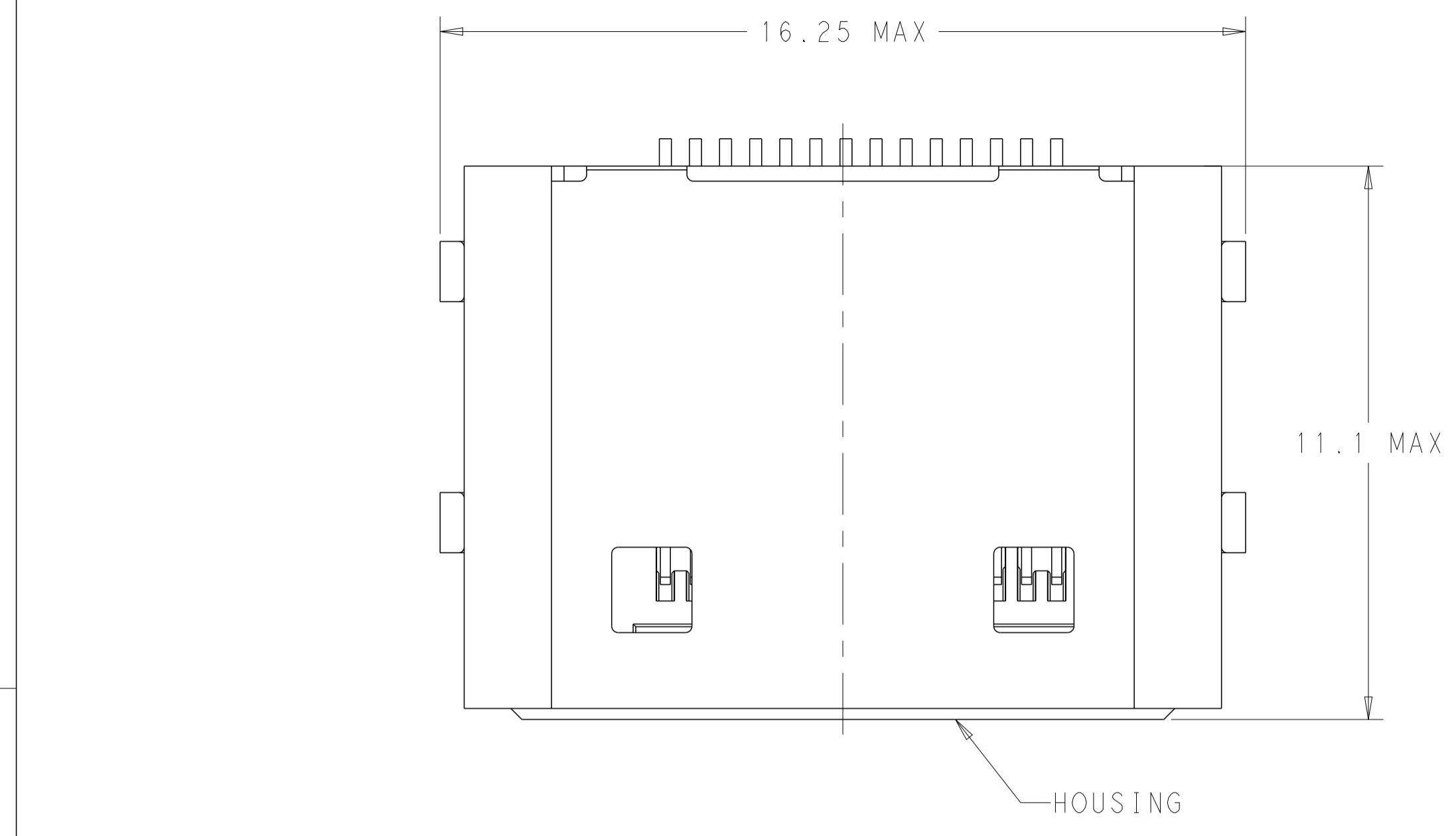
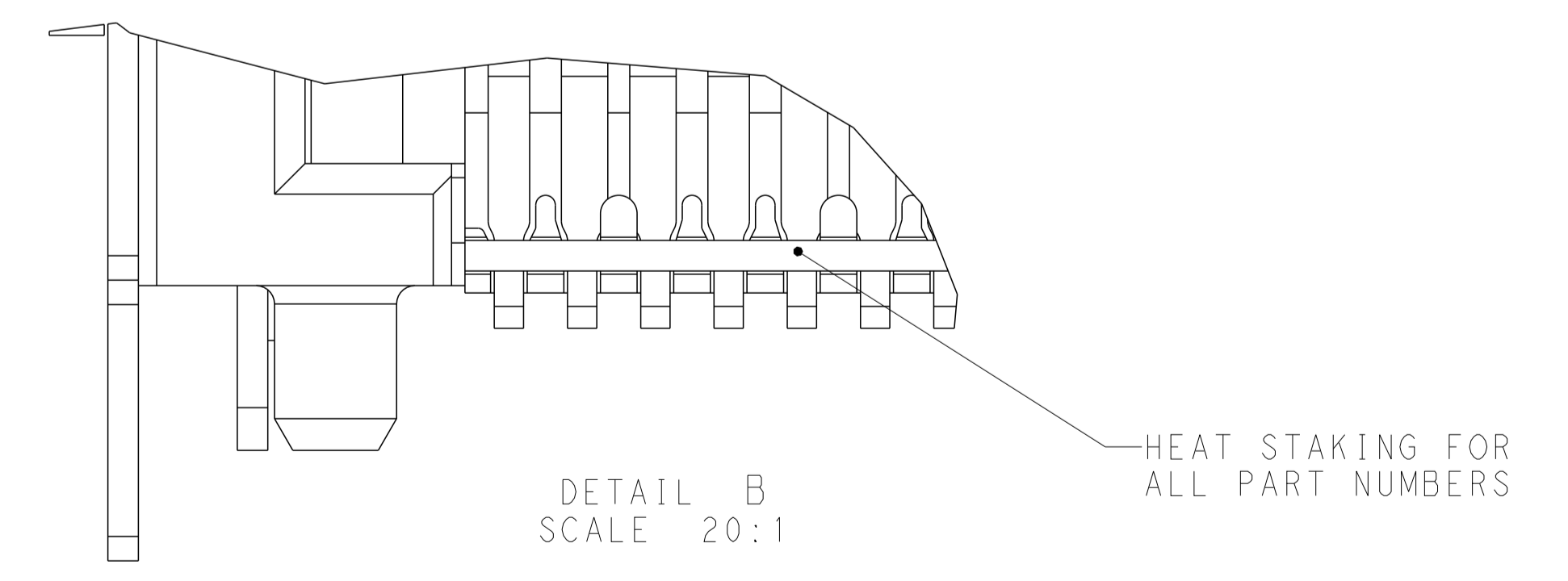
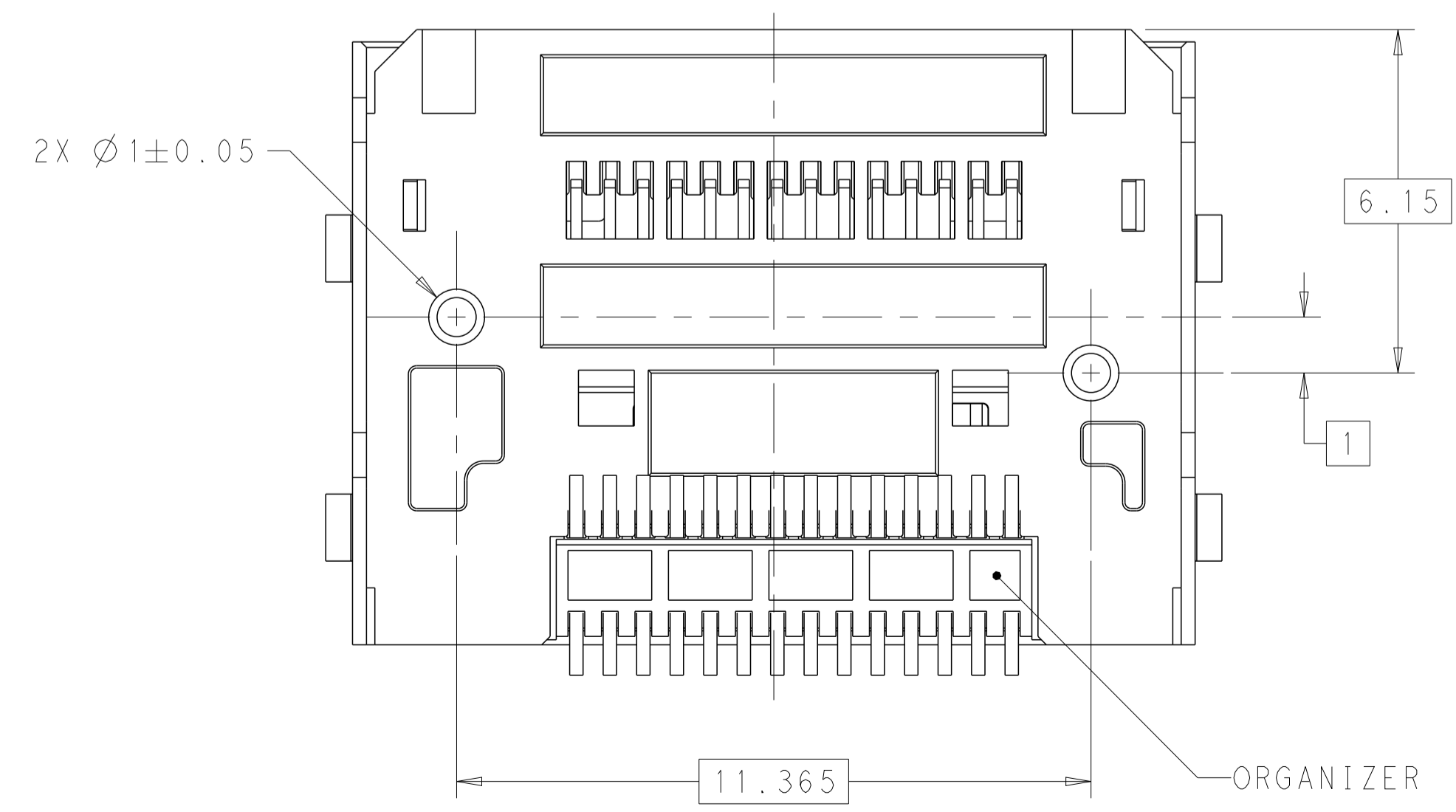
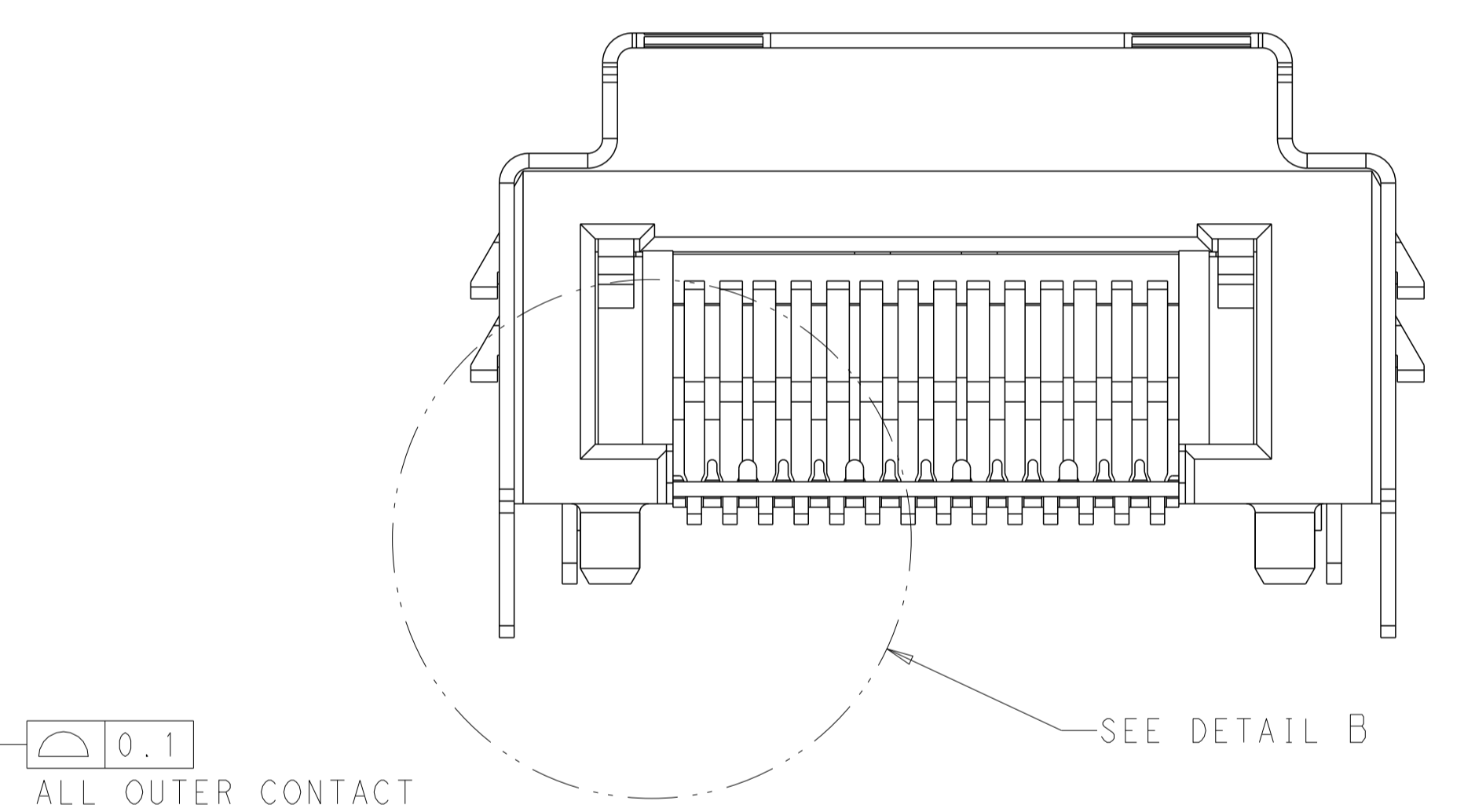


REVISIONS				
P	LTN	DESCRIPTION	DATE	APVD
A		RELEASED PER ECO-19-014774	26SEP2019	CJV JW
B		REVISED PER ECN-21-126523	15MAR2022	TM DZ
C		REVISED PER ECN-22-152380	13JUN2022	TX DZ
C1		REVISED PER ECN-24-266777	20MAY2024	TR JM

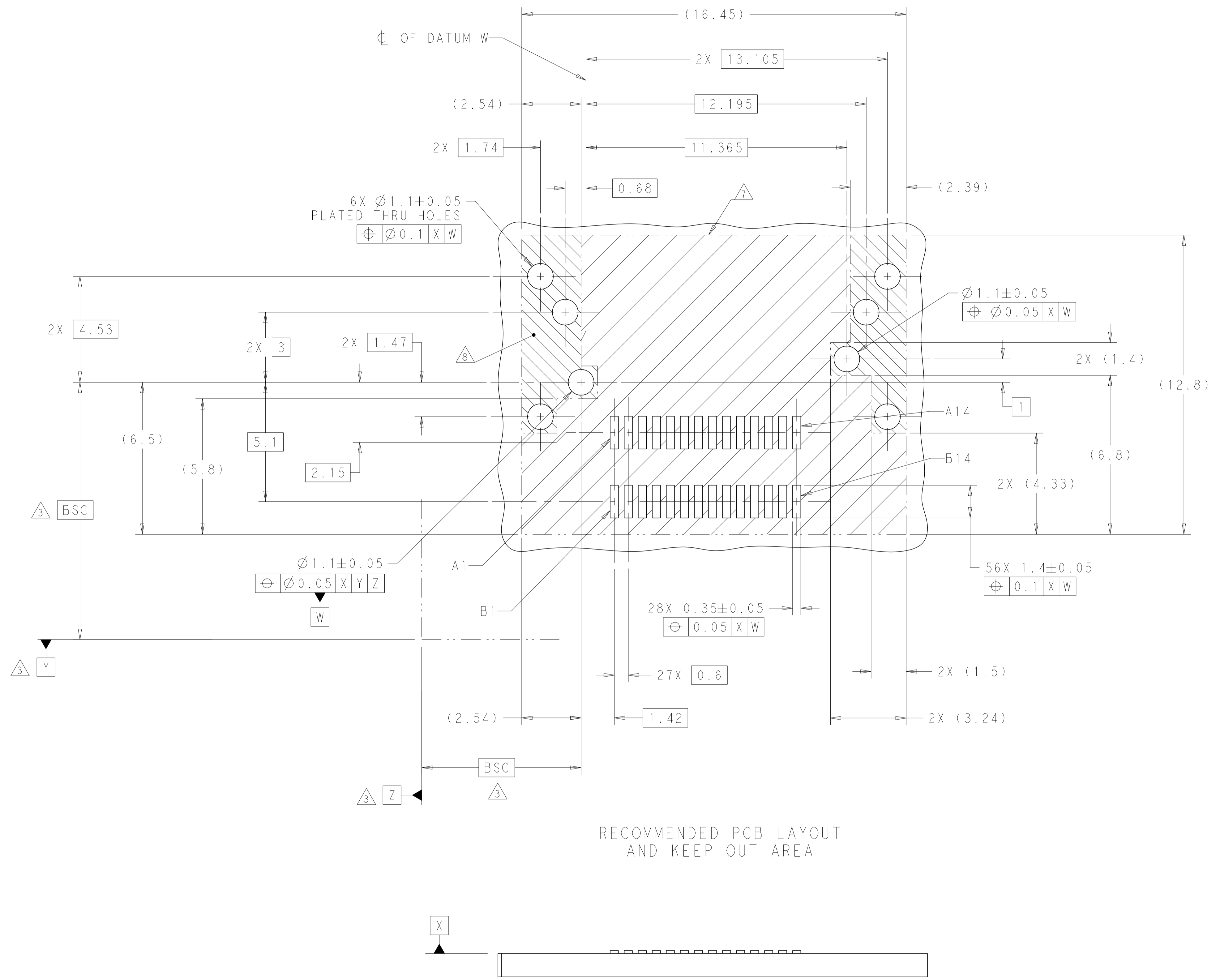


- 1 HOUSING, ORGANIZER AND CONTACT OVERMOLDS - LCP, UL94V-0, BLACK.
CONTACTS AND HOLD DOWNS - COPPER ALLOY.
- 2 CONTACTS - GOLD PLATE ON MATING SURFACES, TIN PLATE ON SOLDER FEET.
HOLD DOWNS - TIN PLATE.
SHELL - NICKEL PLATE, TIN PLATE ON HOLD DOWNS.
- 3 DATUMS AND BASIC DIMENSIONS ESTABLISHED BY CUSTOMER.
- 4. MINIMUM HOST PCB THICKNESS: 1.5.
- 5 SEE MSA SPECIFICATION FOR ADDITIONAL PADDLE CARD LAYOUTS COMPATIBLE WITH THIS RECEPTACLE AND FOR OPTIONAL SPLIT CONTACT PAD LAYOUTS FOR THE PADDLE CARD. SPECIFICATION PINOUT MAY ALSO DESIGNATE PAD SEQUENCE DIFFERENT FROM ILLUSTRATION.
- 6 POSITIONS DESIGNATED AS "SIGNAL" ARE REQUIRED LOCATIONS FOR HIGH SPEED DIFFERENTIAL PAIR SIGNALING. THESE LOCATIONS MAY ALSO BE USED FOR SUPPORTING SIDEBAND SIGNALS OR OTHER UTILITY PURPOSES. POSITIONS DESIGNATED AS "GROUND" ARE REQUIRED WHEN SUPPORTING HIGH SPEED DIFFERENTIAL SIGNALS. THESE LOCATIONS MAY ALSO BE USED FOR SIDEBAND SIGNALS OR OTHER UTILITY PURPOSES.
- 7 RECOMMENDED COMPONENT KEEP OUT AREA.
- 8 RECOMMENDED COMPONENT AND TRACES KEEP OUT AREA.
- 9 TAPE AND REEL PACKAGED FOR PICK AND PLACE SMT PROCESSING, SEE FIGURE 1. POCKET TAPE: WIDTH = 32.



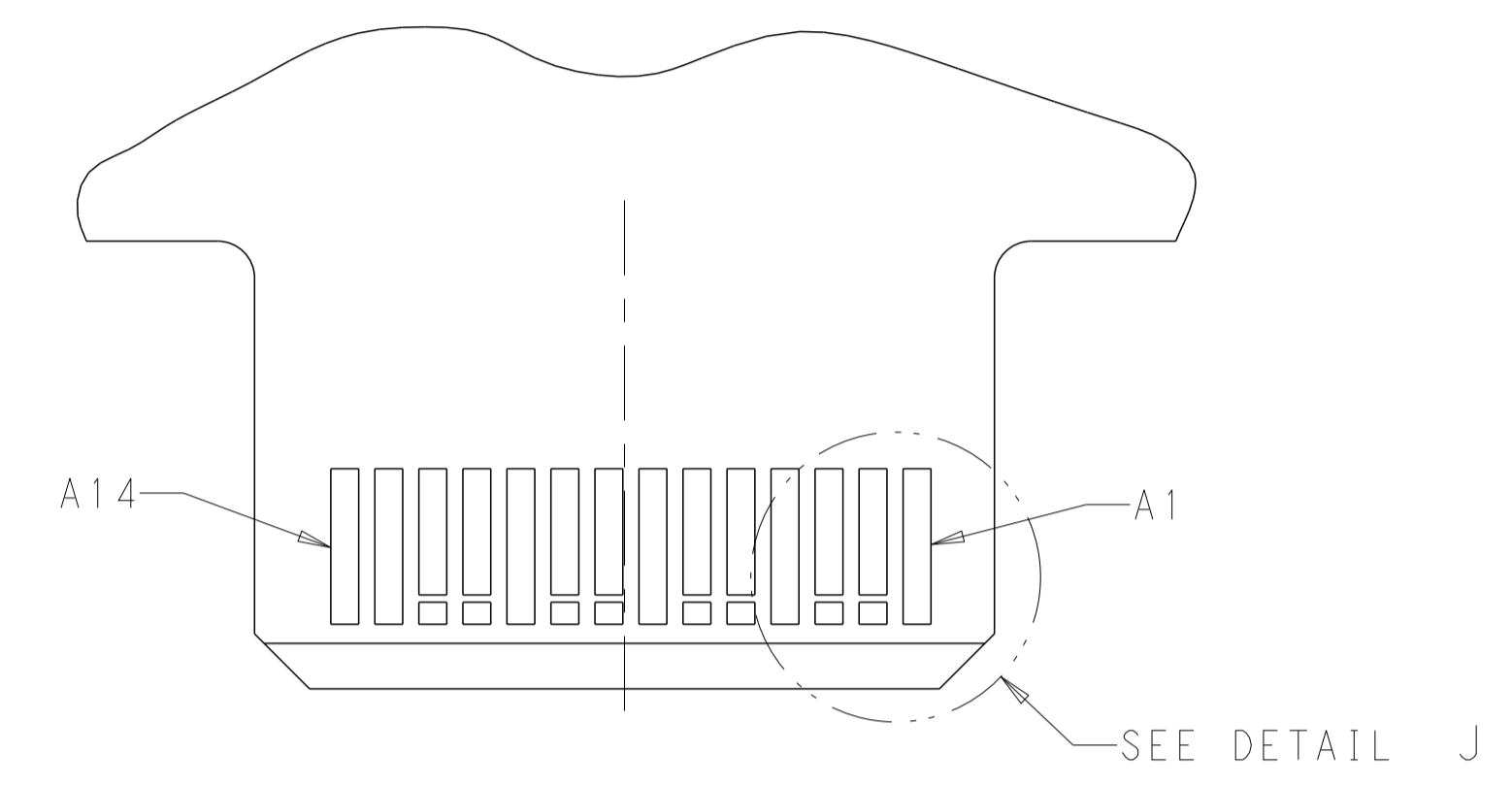
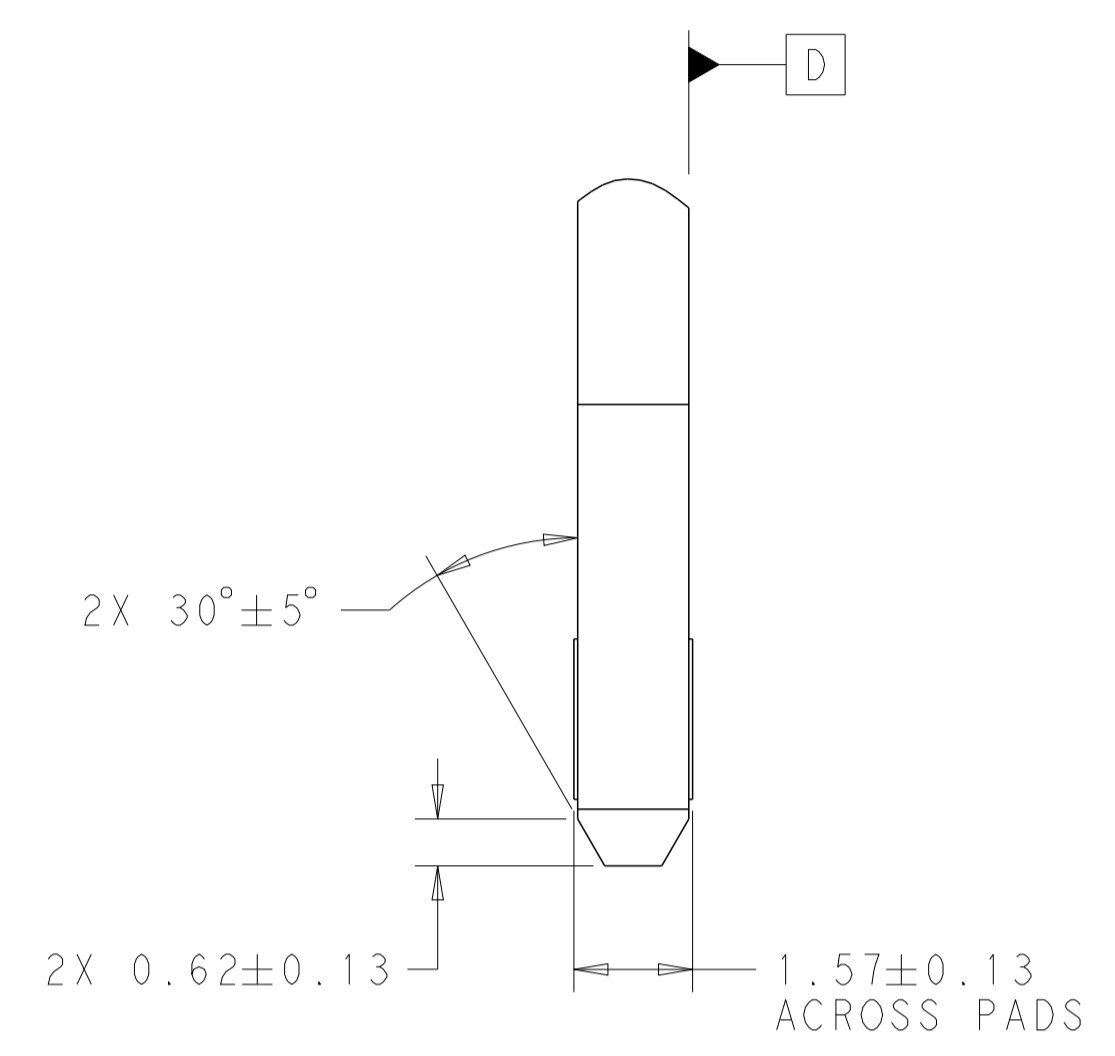
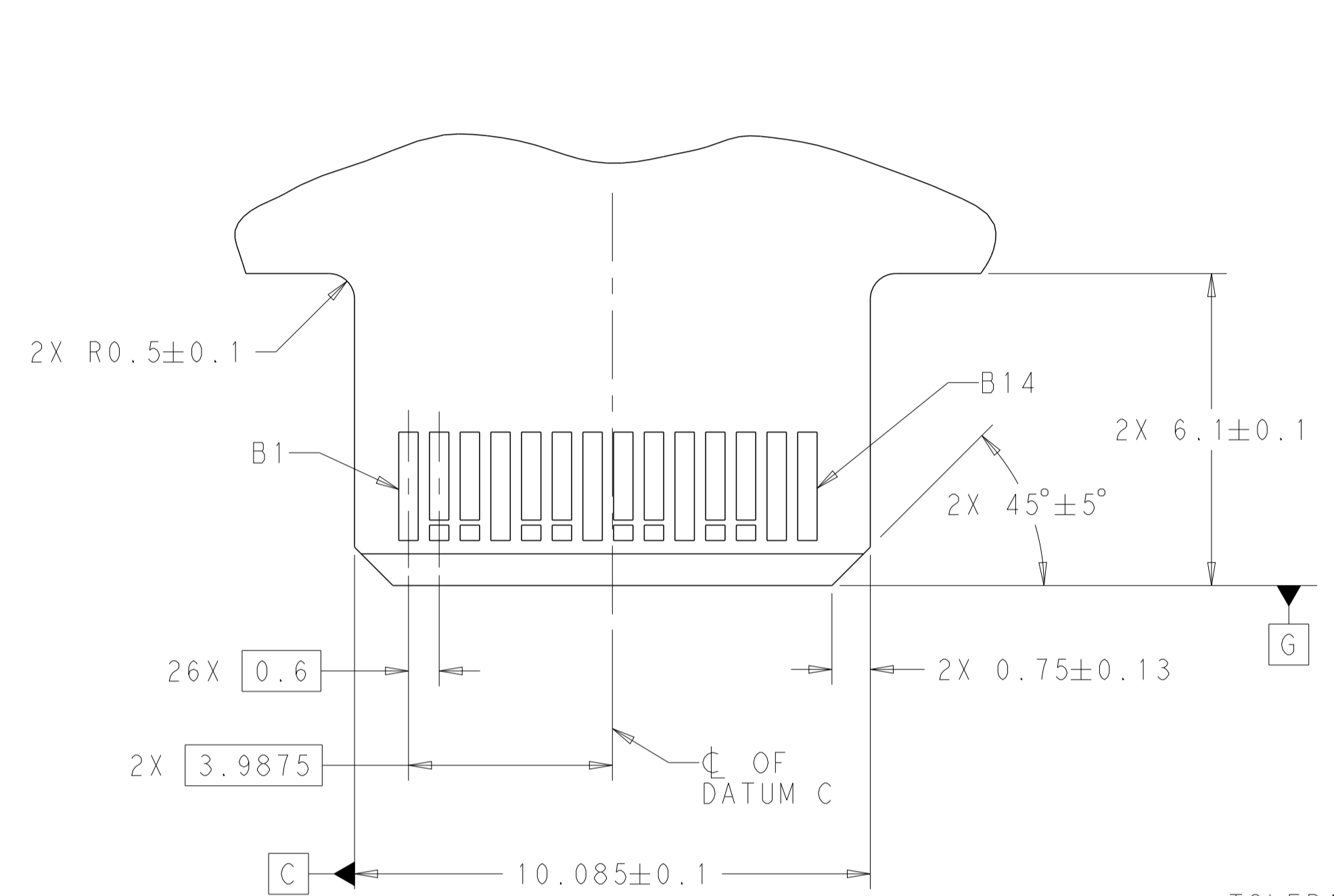
THIS DRAWING IS A CONTROLLED DOCUMENT.		DWN M. SHIRK 25OCT2018	TE Connectivity
DIMENSIONS: mm		CHK D. HARMON 25OCT2018	
TOLERANCES UNLESS OTHERWISE SPECIFIED:		APVD D. HARMON 25OCT2018	NAME RECEPTACLE ASSEMBLY, RIGHT ANGLE, 28 POSN, SLIVER 2.0
0 PLC ±	1 PLC ±	PRODUCT SPEC 108-130021	SIZE A1
2 PLC ±	3 PLC ±	APPLICATION SPEC 114-130015	CAGE CODE C=2345808
4 PLC ±	ANGLES ±	WEIGHT	RESTRICTED TO
MATERIAL	FINISH	CUSTOMER DRAWING	SCALE 10:1 SHEET 1 OF 4 REV C1

REVISIONS				
P.	LTN.	DESCRIPTION	DATE	APVD.
-	-	SEE SHEET 1	-	-



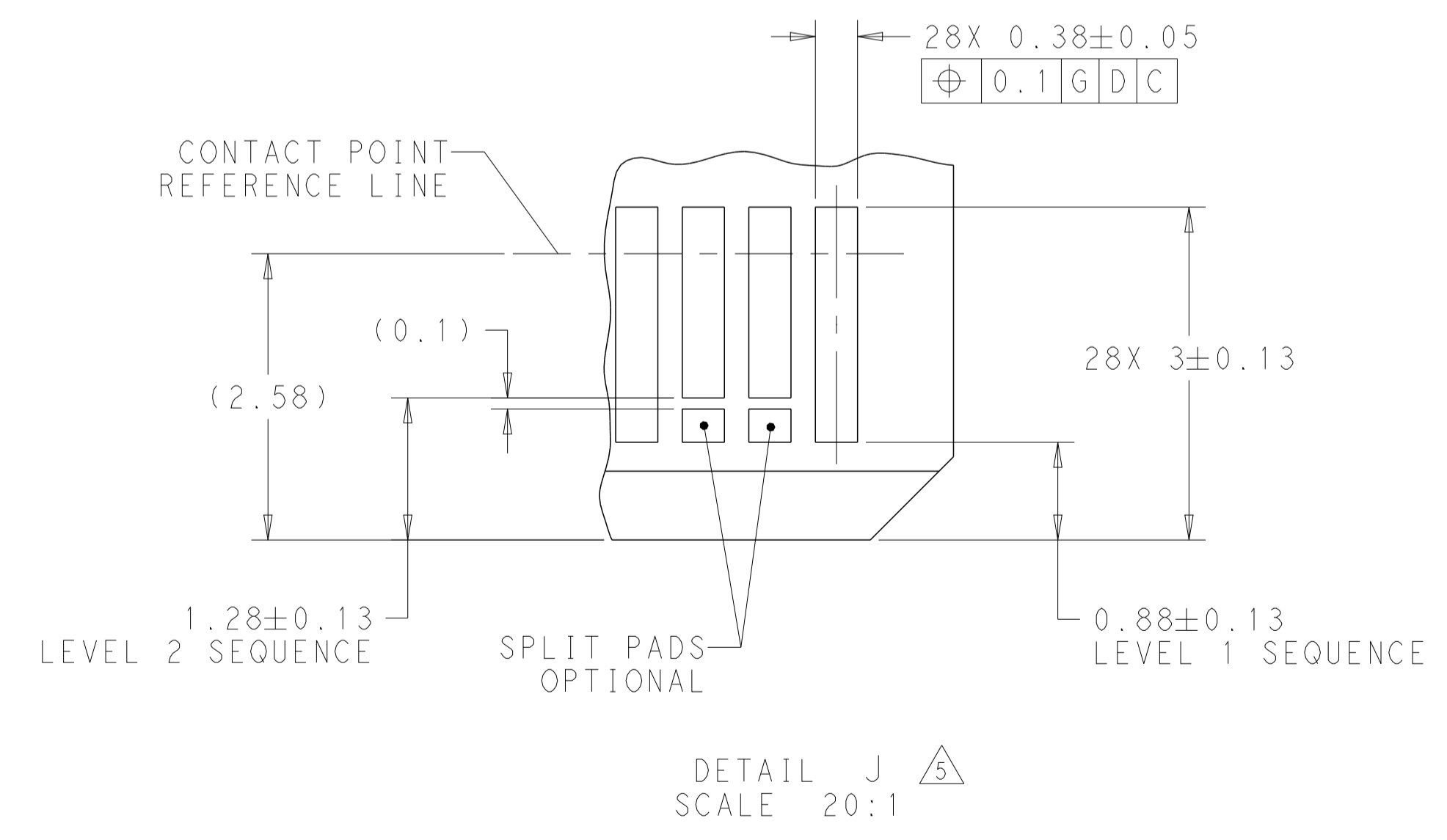
THIS DRAWING IS A CONTROLLED DOCUMENT.		DWN M. SHIRK 25OCT2018	TE Connectivity	
DIMENSIONS: mm		CHK D. HARMON 25OCT2018		
TOLERANCES UNLESS OTHERWISE SPECIFIED: 0 PLC ± 1 PLC ± 2 PLC ± 3 PLC ± 4 PLC ± ANGLES ±		APVD D. HARMON 25OCT2018		
MATERIAL FINISH		NAME RECEPTACLE ASSEMBLY, RIGHT ANGLE, 28 POSN, SLIVER 2.0 PRODUCT SPEC 108-130021 APPLICATION SPEC 114-130015 WEIGHT -	SIZE A1 CAGE CODE 00779 DRAWING NO C=2345808	RESTRICTED TO -
CUSTOMER DRAWING		SCALE 10:1	SHEET 2 OF 4	REV C1

REVISIONS				
P	LTN	DESCRIPTION	DATE	APVD
-	-	SEE SHEET 1	-	-



RECOMMENDED PCB OUTLINE DIMENSIONS:
 TOLERANCE VALUES ARE CRITICAL. PLEASE BE SURE TO DESIGNATE
 TOLERANCES TO PCB SUPPLIER TO ENSURE OPTIMIZED FUNCTIONALITY.

CONTACT NUMBER	SIDE A	SIDE B
1	GROUND	GROUND
2	SIGNAL	SIGNAL
3	SIGNAL	SIGNAL
4	GROUND	GROUND
5	SIGNAL	SIGNAL
6	SIGNAL	SIGNAL
7	GROUND	GROUND
8	SIGNAL	SIGNAL
9	SIGNAL	SIGNAL
10	GROUND	GROUND
11	SIGNAL	SIGNAL
12	SIGNAL	SIGNAL
13	GROUND	GROUND
14	GROUND	GROUND



CONNECTOR CONTACT IDENTIFICATION $\triangle 5/6$

THIS DRAWING IS A CONTROLLED DOCUMENT.		OWN: M. SHIRK 25OCT2018	TE Connectivity
DIMENSIONS: mm		CHK: D. HARMON 25OCT2018	
TOLERANCES UNLESS OTHERWISE SPECIFIED:		APVD: D. HARMON 25OCT2018	NAME: RECEPTACLE ASSEMBLY, RIGHT ANGLE, 28 POSN, SLIVER 2.0 PRODUCT SPEC: 108-130021 APPLICATION SPEC: 114-130015
0 PLC ± 1 PLC ± 2 PLC ± 3 PLC ± 4 PLC ± ANGLES ± FINISH ±		SIZE: A1 CAGE CODE: 00779 DRAWING NO: C=2345808 WEIGHT: - CUSTOMER DRAWING	
MATERIAL:		SCALE: 10:1	RESTRICTED TO: -

REVISIONS					
P.	LTN	DESCRIPTION	DATE	OWN	APVD
-	-	SEE SHEET 1	-	-	-

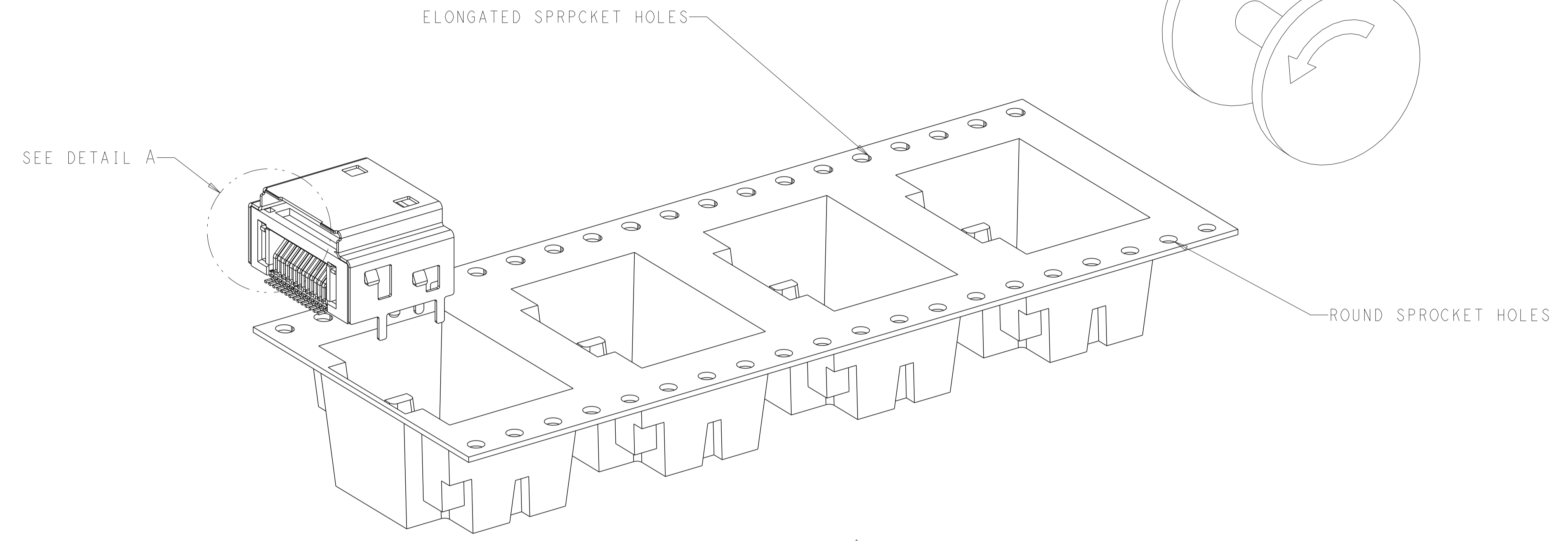
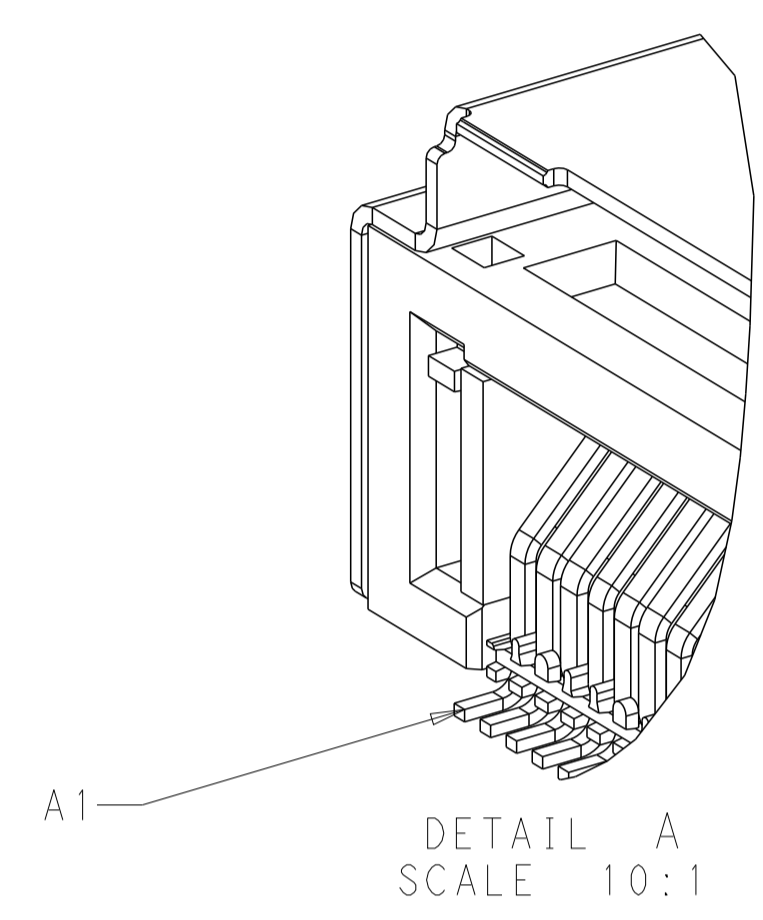


FIGURE 1
 DIRECTION OFF TOP OF REEL
 FOR USER UNREELING FOR 2345808-1 TO 2345808-6
 SCALE 4:1

1.2±0.2	0.76 μm Au	24	300	200	1-2345808-6
	0.38 μm Au			100	1-2345808-5
	FLASH Au/PdNi			50	1-2345808-4
1.8 +0.2/-0.1	0.76 μm Au	24	300	200	1-2345808-3
	0.38 μm Au			100	1-2345808-2
	FLASH Au/PdNi			50	1-2345808-1
1.2±0.2	0.76 μm Au	20	350	200	2345808-6
	0.38 μm Au			100	2345808-5
	FLASH Au/PdNi			50	2345808-4
1.8 +0.2/-0.1	0.76 μm Au	20	350	200	2345808-3
	0.38 μm Au			100	2345808-2
	FLASH Au/PdNi			50	2345808-1
A	PLATING	POCKET TAPE PITCH	REEL QUANTITY	MATING CYCLES	PART NUMBER

THIS DRAWING IS A CONTROLLED DOCUMENT.

DIMENSIONS:	TOLERANCES UNLESS OTHERWISE SPECIFIED:	OWN: M. SHIRK 25OCT2018	
mm	0 PLC ±	CHK: D. HARMON 25OCT2018	
	1 PLC ±	APVD: D. HARMON 25OCT2018	
	2 PLC ±	NAME: RECEPTACLE ASSEMBLY, RIGHT ANGLE, 28 POSN, SLIVER 2.0	
MATERIAL:	FINISH:	PRODUCT SPEC: 108-130021	SIZE: A1
		APPLICATION SPEC: 114-130015	CAGE CODE: 2345808
		WEIGHT: -	SCALE: 10:1
		CUSTOMER DRAWING	SHEET 4 OF 4