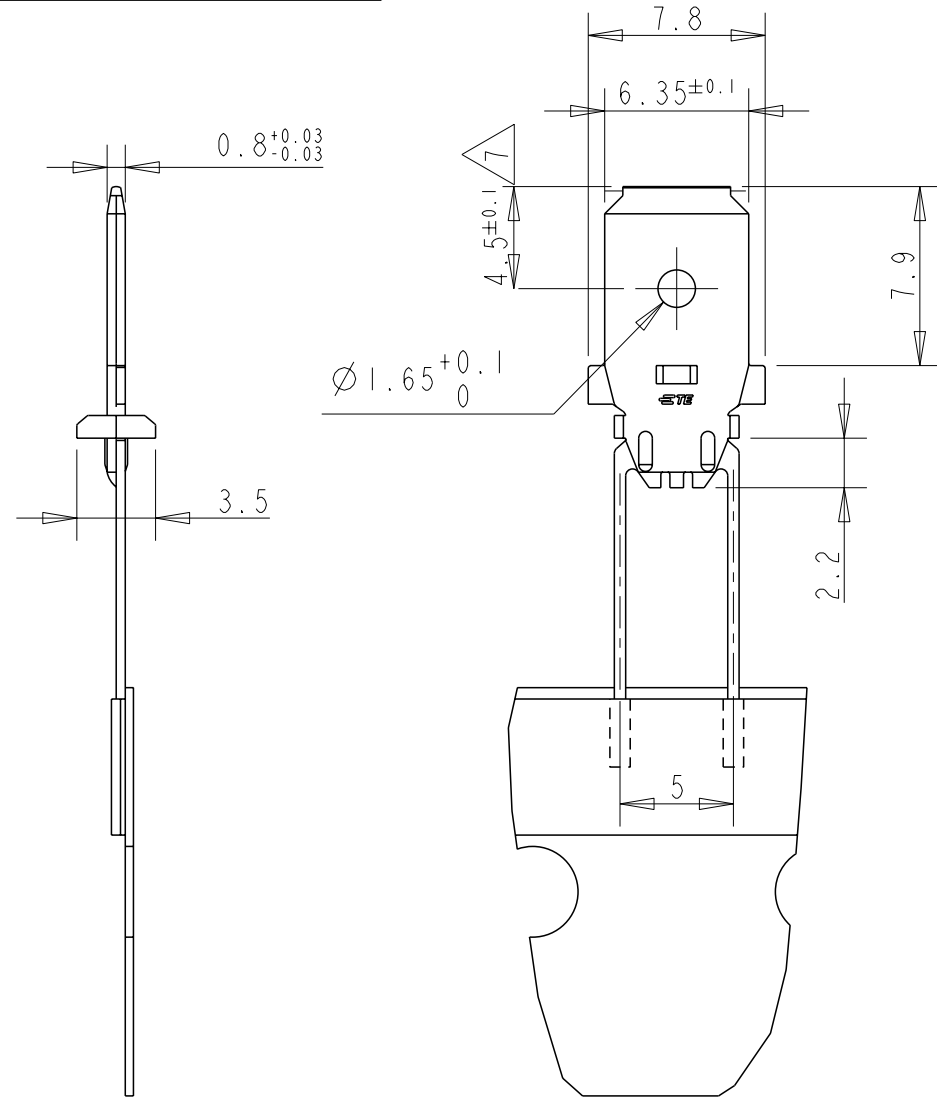
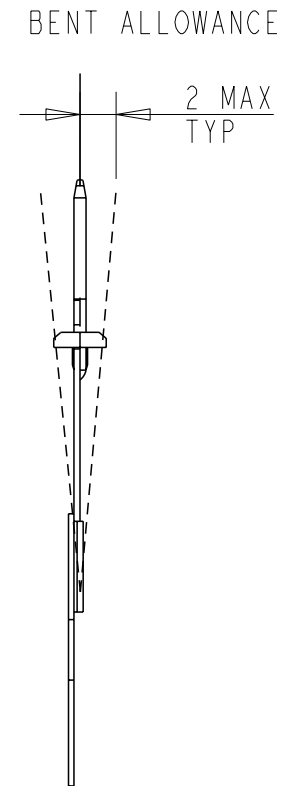


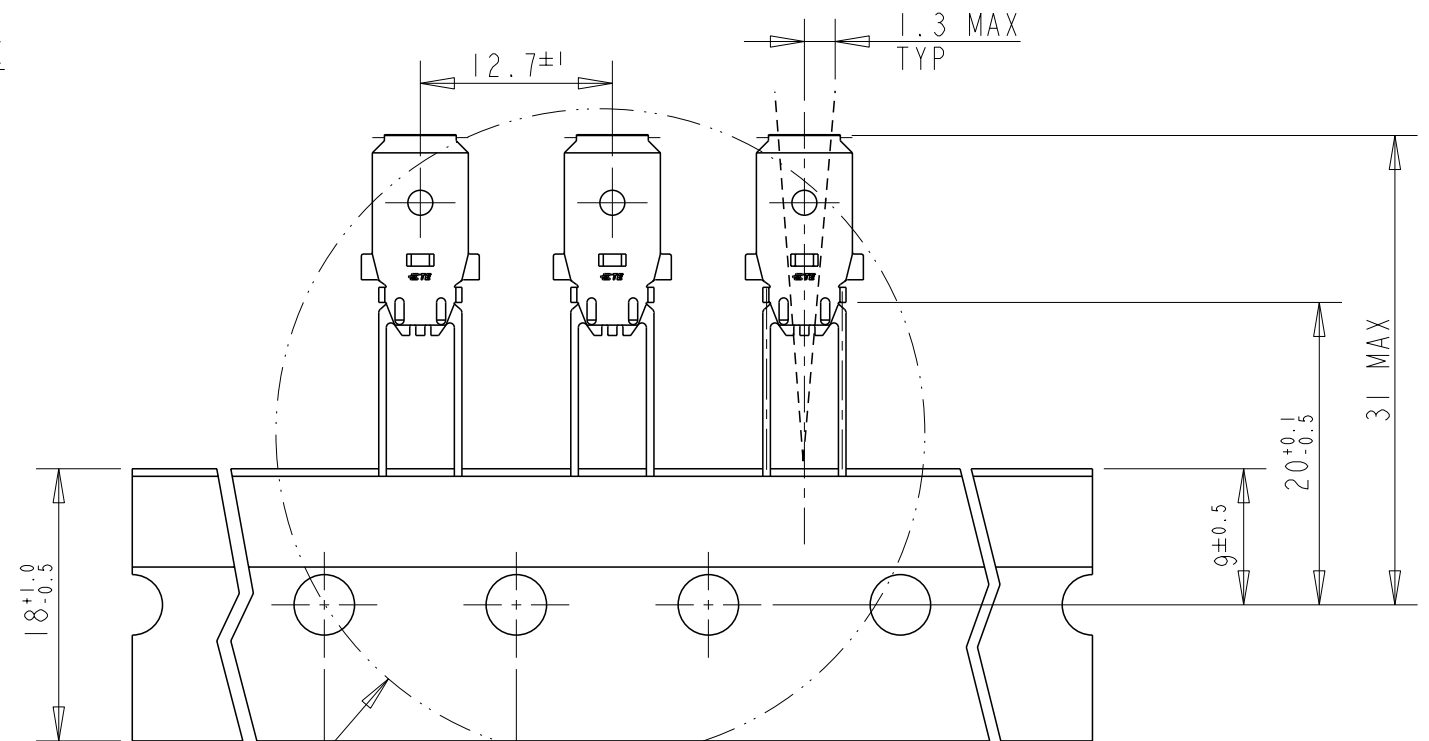
P	LTR	DESCRIPTION	DATE	DWN	APVD
	A8	REVISED PER ECR-24-204822	17APR2024	SS	DT



DETAIL A  
SCALE 3:1



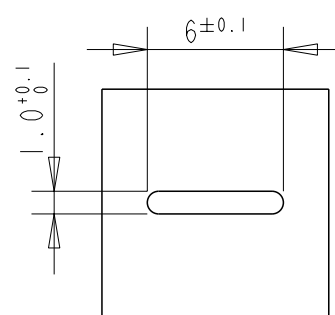
BENT ALLOWANCE



BENT ALLOWANCE

SEE DETAIL A

SCALE 2:1



SCALE 3:1  
PCB LAYOUT

- NOTE:
- 1 ACCUMULATING TOLERANCE : ±1.5mm/20 PITCH.
  - 2. TAPE MUST NOT PROTRUDE FROM BACKING PAPER.
  - 3. APPLICABLE P.C.B HOLE DIA:1.0(+0.1/-0)X6.0(+/-0.1).
  - 4. APPLICABLE PC BOARD THICKNESS:±1.6mm.
  - 5. APPLICATION:APPLICABLE TO .250 FASTON RECEPTABLE.
  - 6. THE CORNER:NOT INSTRUCTED R or C SHOULD BE 0.2.
  - 7 2358709-2 IS FOR POD-LOK,DIM 4.1+/-0.1
  - 8 WITHOUT DIMPLE FOR TCL

8	7	TIN	BRASS	.250 TAPING TAB NODIMPLE	2358709-3
	7	TIN	BRASS	.250 TAPING TAB	2358709-2
		TIN	BRASS	.250 TAPING TAB STANDARD	2358709-1
		PLATING	RAW MATERIAL	DESCRIPTION	PN

THIS DRAWING IS A CONTROLLED DOCUMENT.		DWN 21JUN2019 DON TANG			
DIMENSIONS: mm		CHK - DAISY LI			
TOLERANCES UNLESS OTHERWISE SPECIFIED:		APVD 21JUN2019 TIM DING	NAME TAPING TAB .250 SERISE		
0 PLC ±- 1 PLC ±0.2 2 PLC ±- 3 PLC ±- 4 PLC ±- ANGLES ±2°		PRODUCT SPEC 108-106425	SIZE CAGE CODE DRAWING NO RESTRICTED TO		
MATERIAL		APPLICATION SPEC 114-2115	A3	00779	C-2358709
FINISH		WEIGHT	SCALE 1:1 SHEET 1 OF 1 REV A8		
		CUSTOMER DRAWING			

Printed on 22 Apr 2024 15:23 (India Standard Time) from TE411050