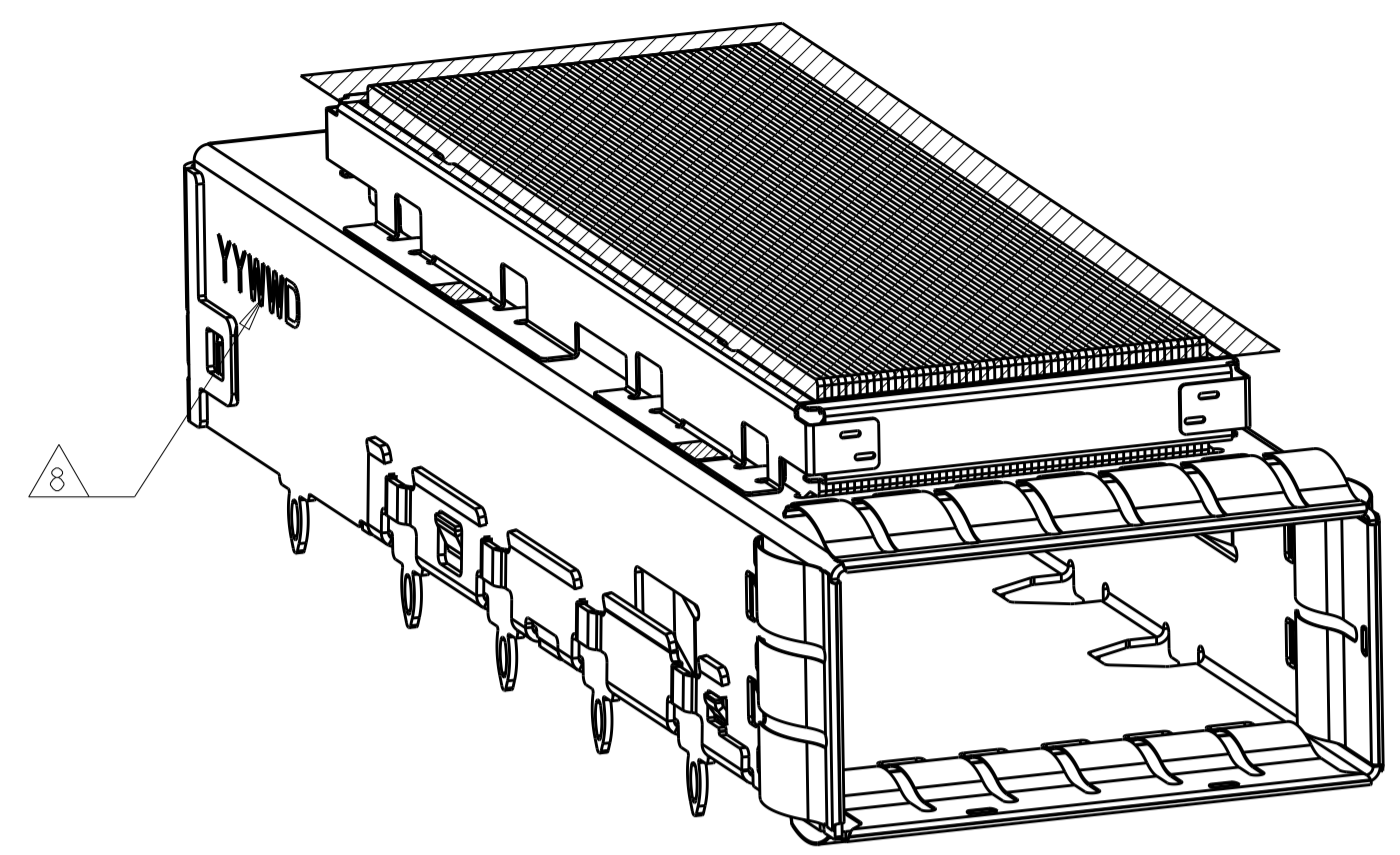
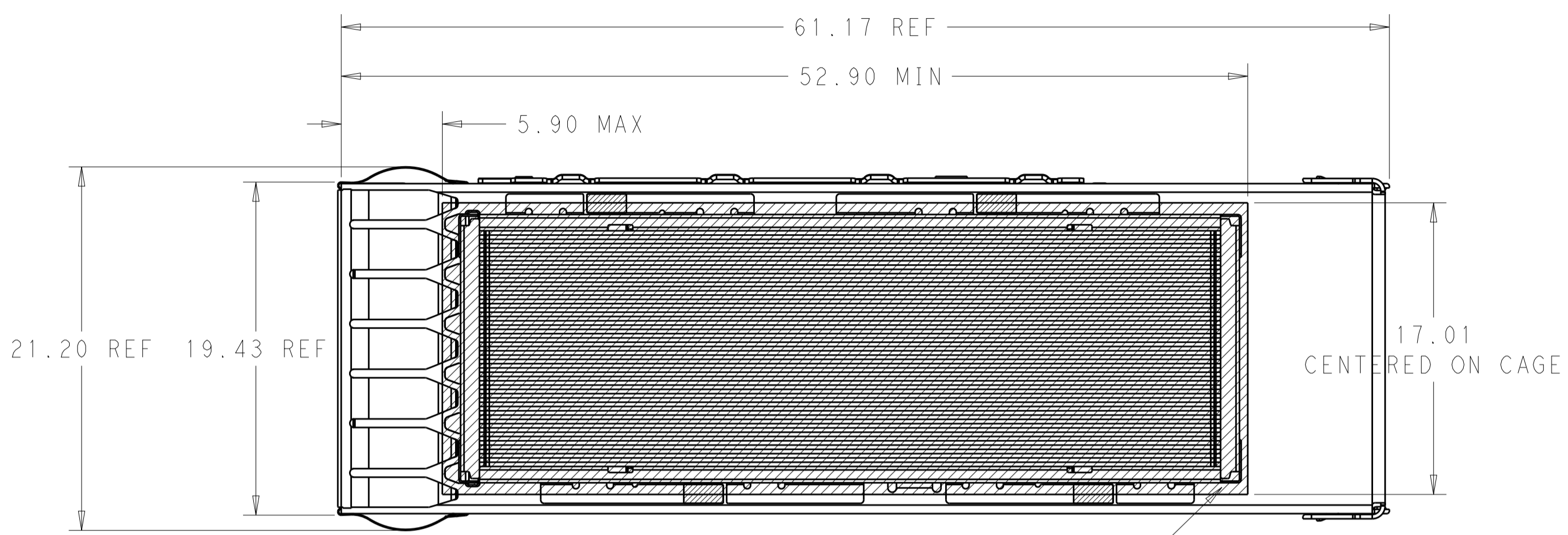


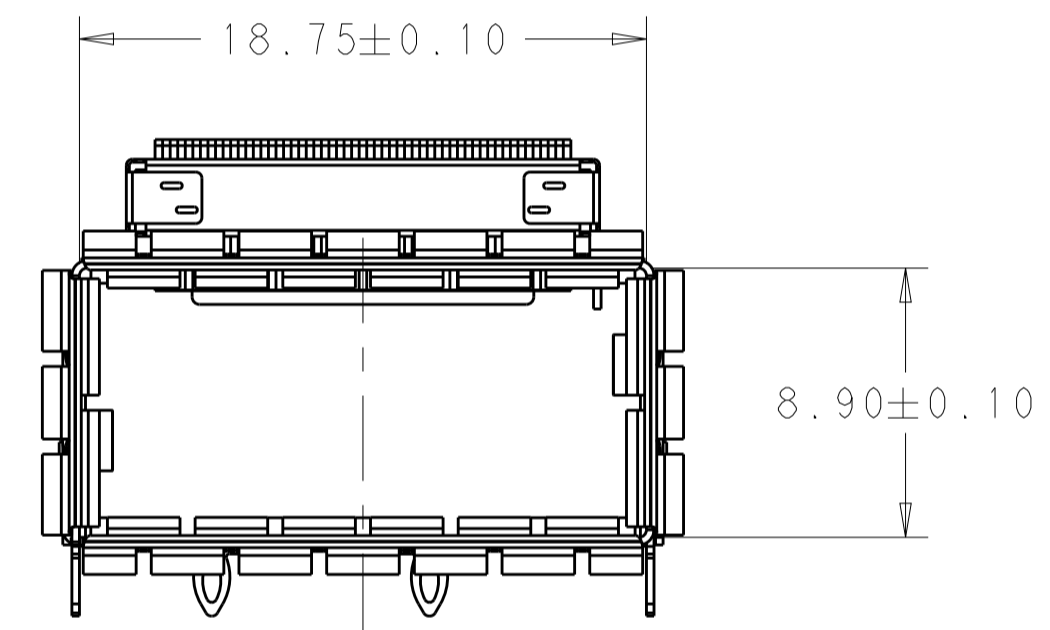
LOC	DIST	REV	DESCRIPTION	DATE	DMN	APVD
		1	INITIAL RELEASE	17SEP2019	VL	SH
		3	ADD -3 FOR SOLDER PIN TYPE	27DEC2019	VL	SH
		A	INITIAL DRAWING	07FEB2020	VM	SH



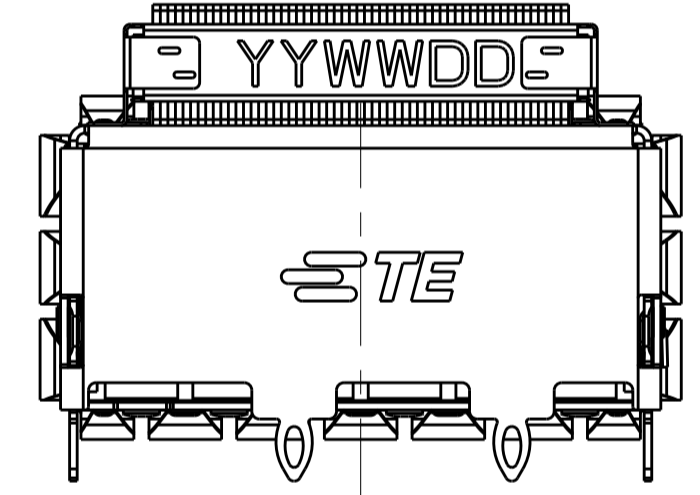
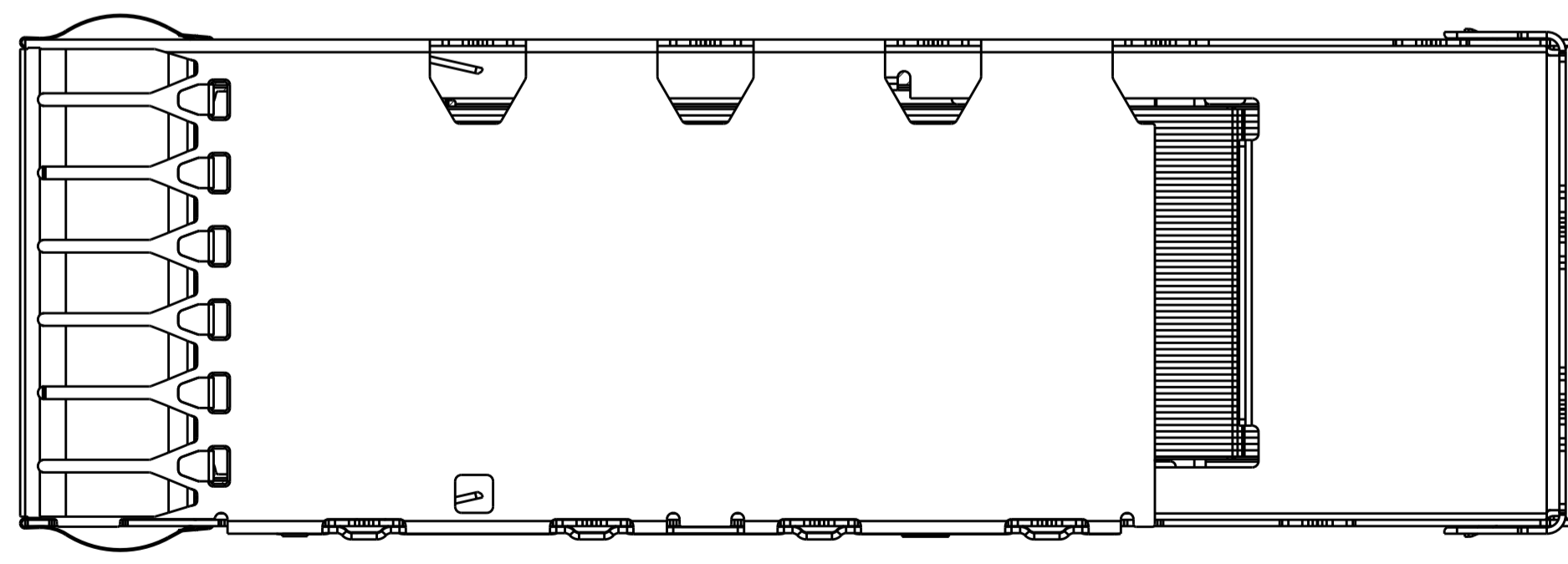
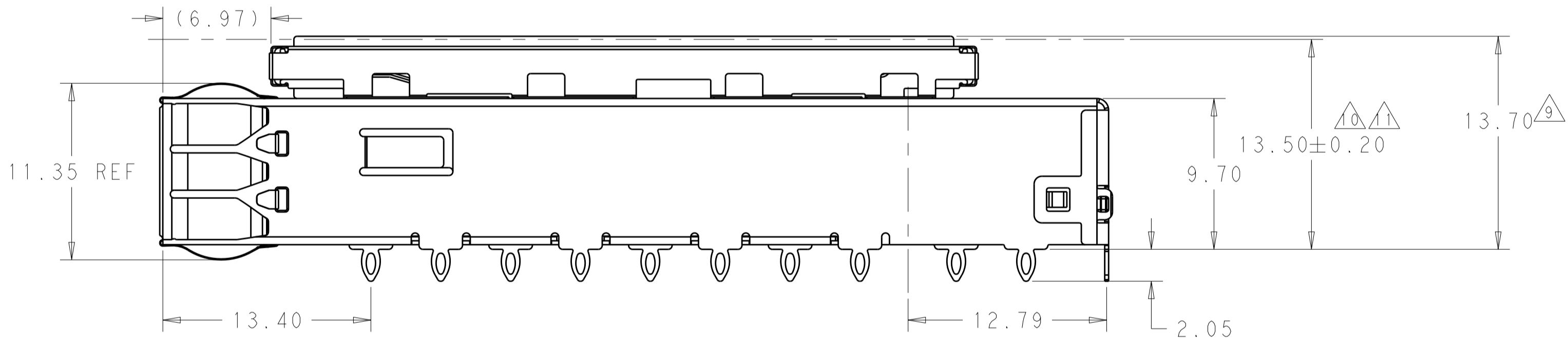
2359309-1
SCALE 4:1



COMPONENT KEEP OUT AREA
EXCEPT FOR COLD PLATE
BOTTOM SURFACE



SCALE 4:1



- MATERIAL:
CAGE MATERIAL : 0.25 THICK NICKEL SILVER.
SPRING MATERIAL: COPPER ALLOY
HEAT SINK: COPPER ALLOY
- FINISH:
SPRING: NICKEL PLATING
HEAT SINK: ELETROLESS NICKEL
- MATES WITH QSFP28 MSA COMPATIBLE TRANSCEIVER.
- REFERENCE APPLICATION SPEC 114-32023 FOR RECOMMENDED DRILL HOLE DIAMETER AND PLATING THICKNESS.
- DATUM AND BASIC DIMENSIONS ESTABLISHED BY CUSTOMERS.
- MINIMUM PC BOARD THICKNESS: SINGLES SIDED: 1.57 MIN
DOUBLE SIDED: 2.20 MIN JUST FOR EON TYPE.
- DATUM -A- IS TOP SURFACE OF THE HOST BOARD.
- DATE CODE (YYWWD) MARKED APPROXIMATELY AS SHOWN
- DIMENSION APPLIES PRIOR TO INSERTION OF SFP MODULE.
- RECOMMENDED STANDOFF HEIGHT FOR COLD PLATE:
OPTION 1: 13.50 +/-0.20 MM WITH THERMAL GREASE, THERMAL GREASE THICKNESS: 0.10 +/- 0.05MM.
OPTION 2: 13.40 +/-0.20 MM WITHOUT THERMAL GREASE.
- STANDOFF HEIGHT MAY BE SUBJECT TO CHANGE.
- THESE HOLES ARE OPTIONAL WHEN THE REAR PINS ARE REMOVED.

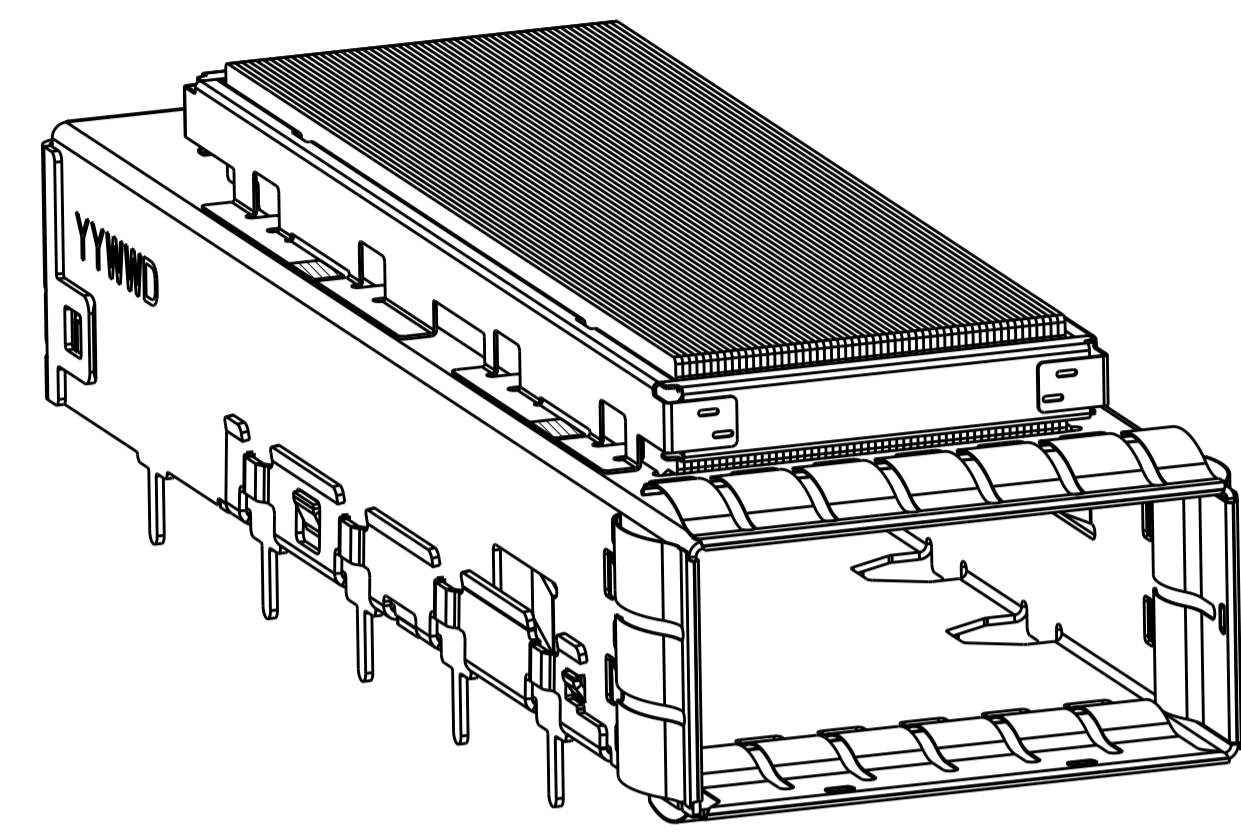
SHEET2	0	SOLDER PIN	2359309-3
SHEET1	2	EON	2359309-1
REMARK	# REAR PINS	PIN TYPE	PART NUMBER

THIS DRAWING IS A CONTROLLED DOCUMENT.		DMN: 19SEP2019 VINDY LLU CHK: SEAN HAN APP'D: SEAN HAN 07FEB2020	TE Connectivity	
DIMENSIONS: mm	TOLERANCES UNLESS OTHERWISE SPECIFIED:	PRODUCT SPEC: 108-19428	NAME: CAGE ASSEMBLY, QSFP28 1X1, WITH EMI SPRING FINGER, TB	
0 PLC ±0.25	1 PLC ±0.25	APPLICATION SPEC: 114-32023	SIZE: A	RESTRICTED TO: -
2 PLC ±0.20	3 PLC ±0.100	WEIGHT: -	SCALE: 1:1	SHEET 1 OF 5
4 PLC ±	ANGLES ±	CUSTOMER DRAWING	REV: A	

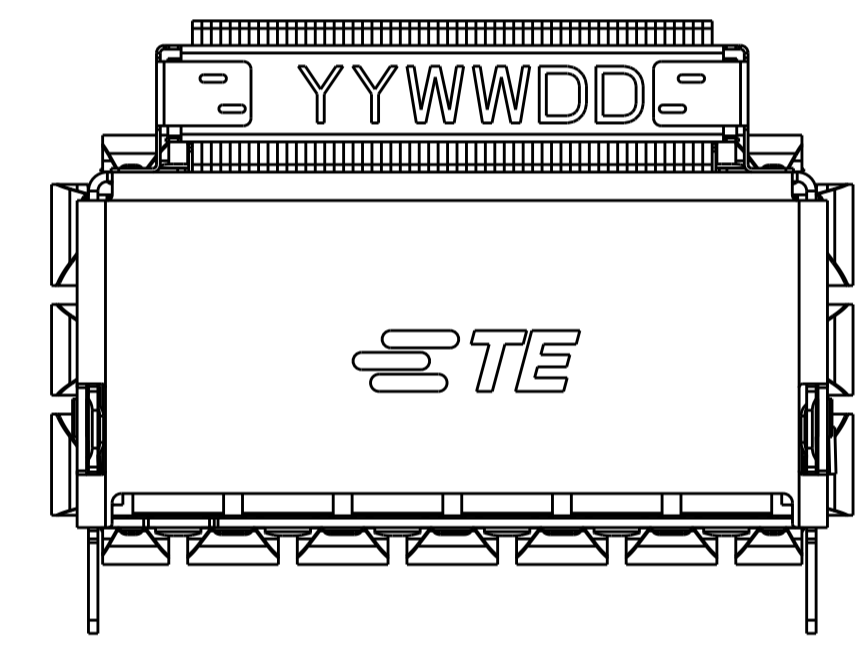
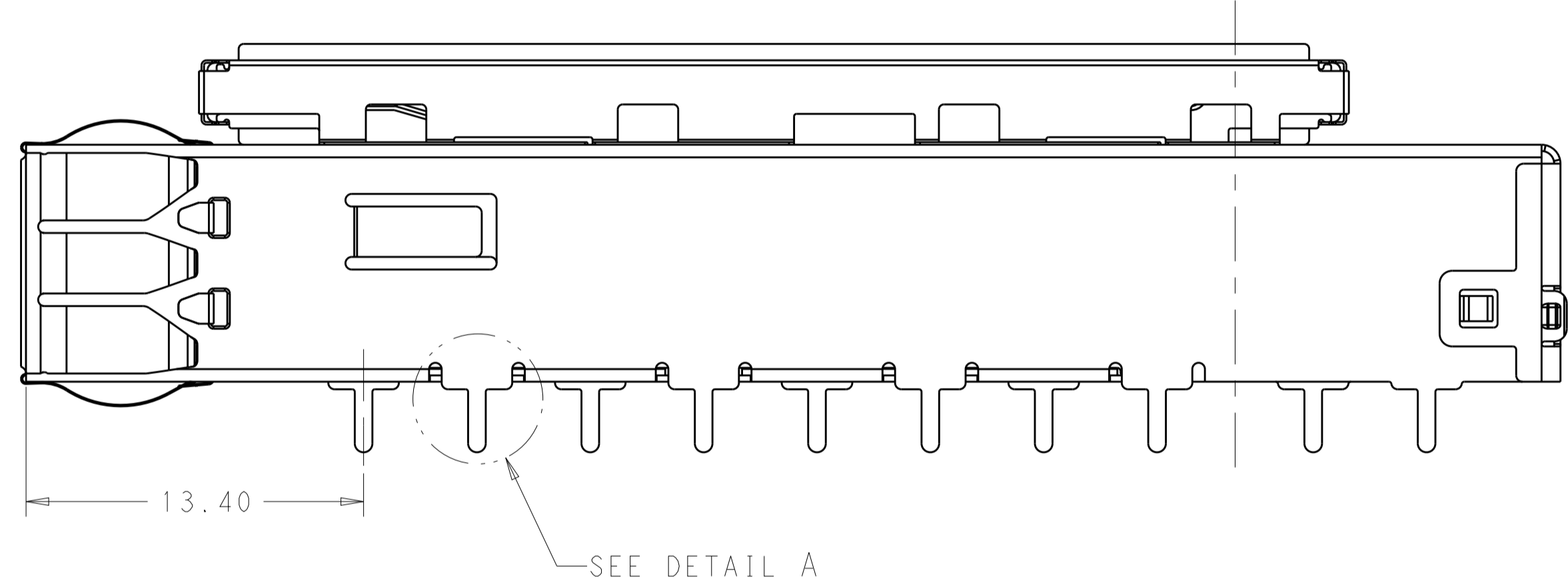
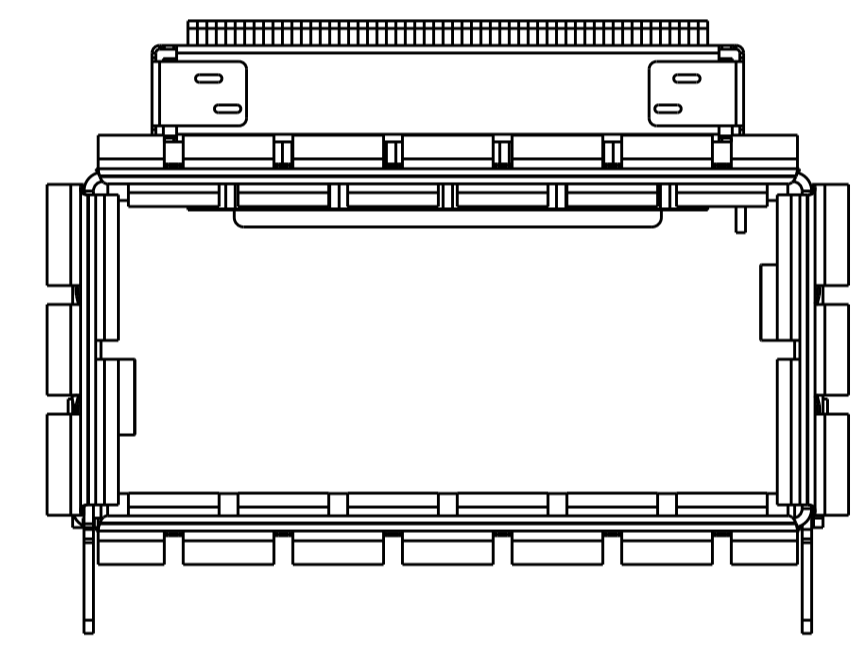
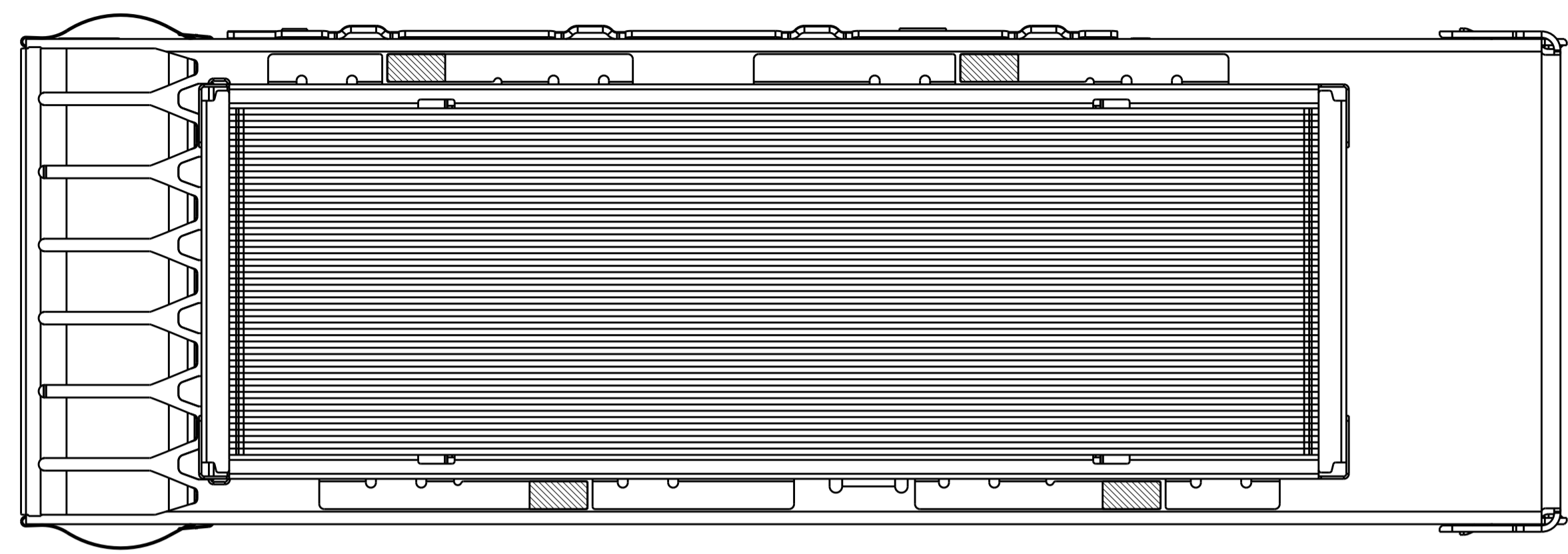
2359309-1 AS SHOWN

LOC		DIST		REVISIONS			
				REV	DATE	BY	APPV
-	-	-	-	1	SEE SHEET 1	-	-

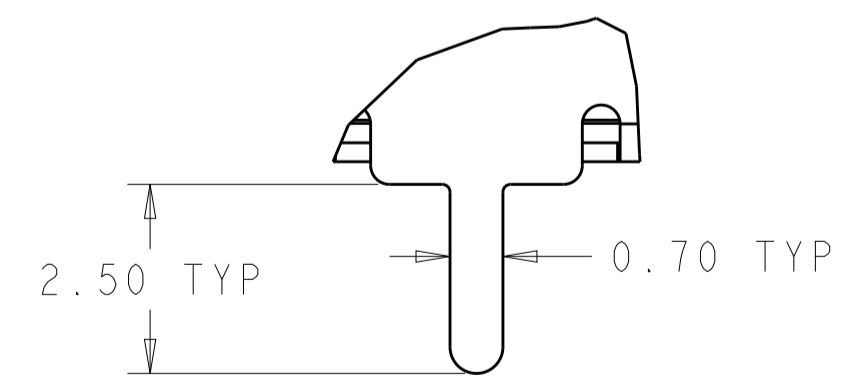
2359309-3 AS SHOWN, UNSPECIFIED DIMENSION SAME AS -1



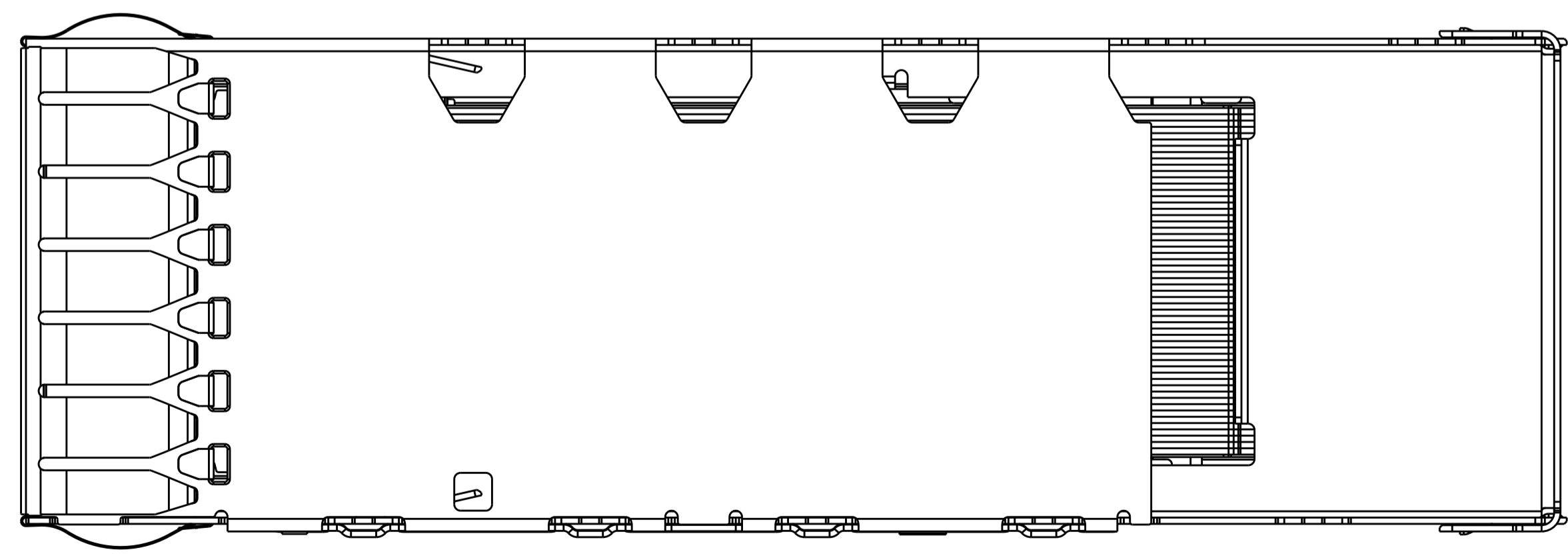
2359309-3
SCALE 4:1



SCALE 5:1

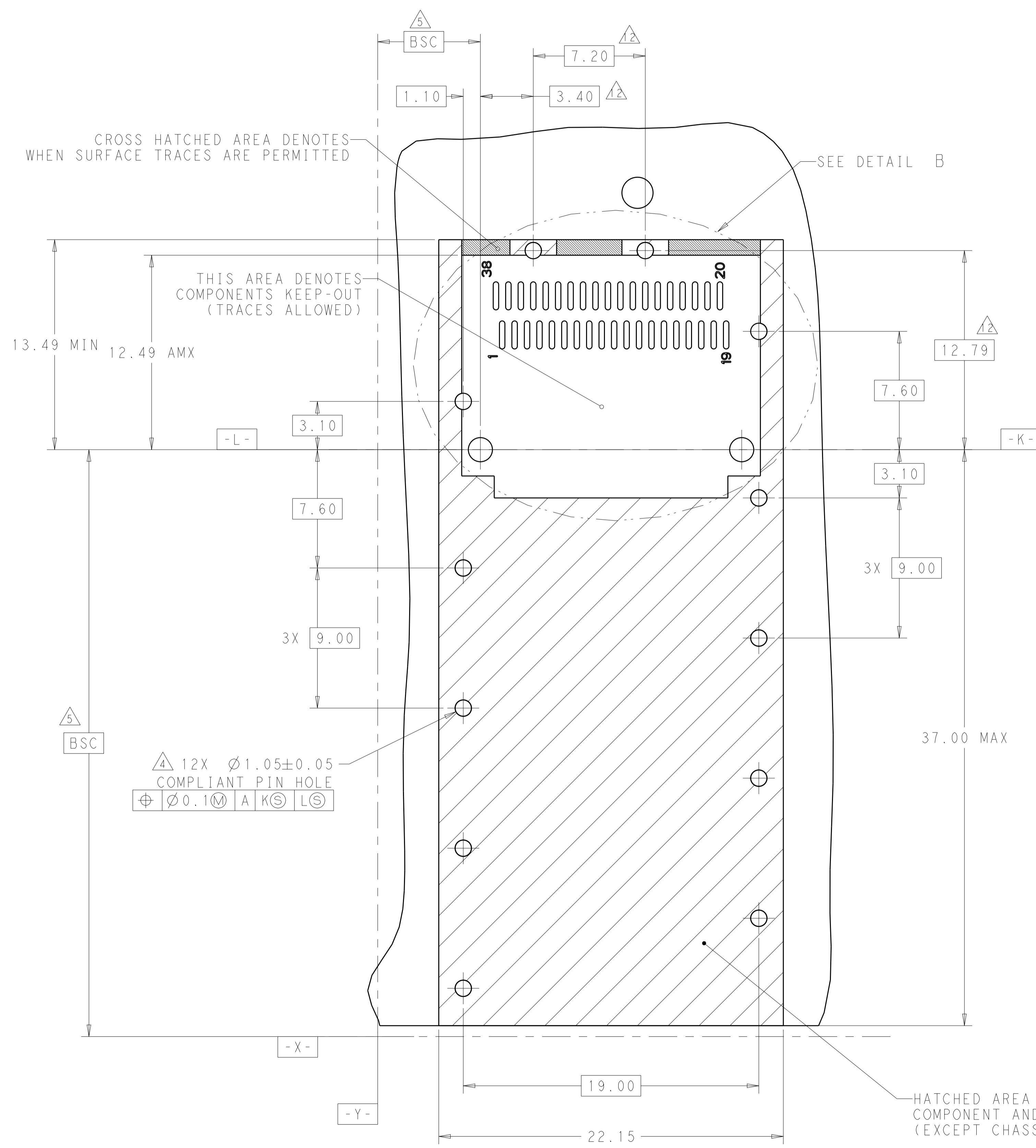


DETAIL A
SCALE 10:1

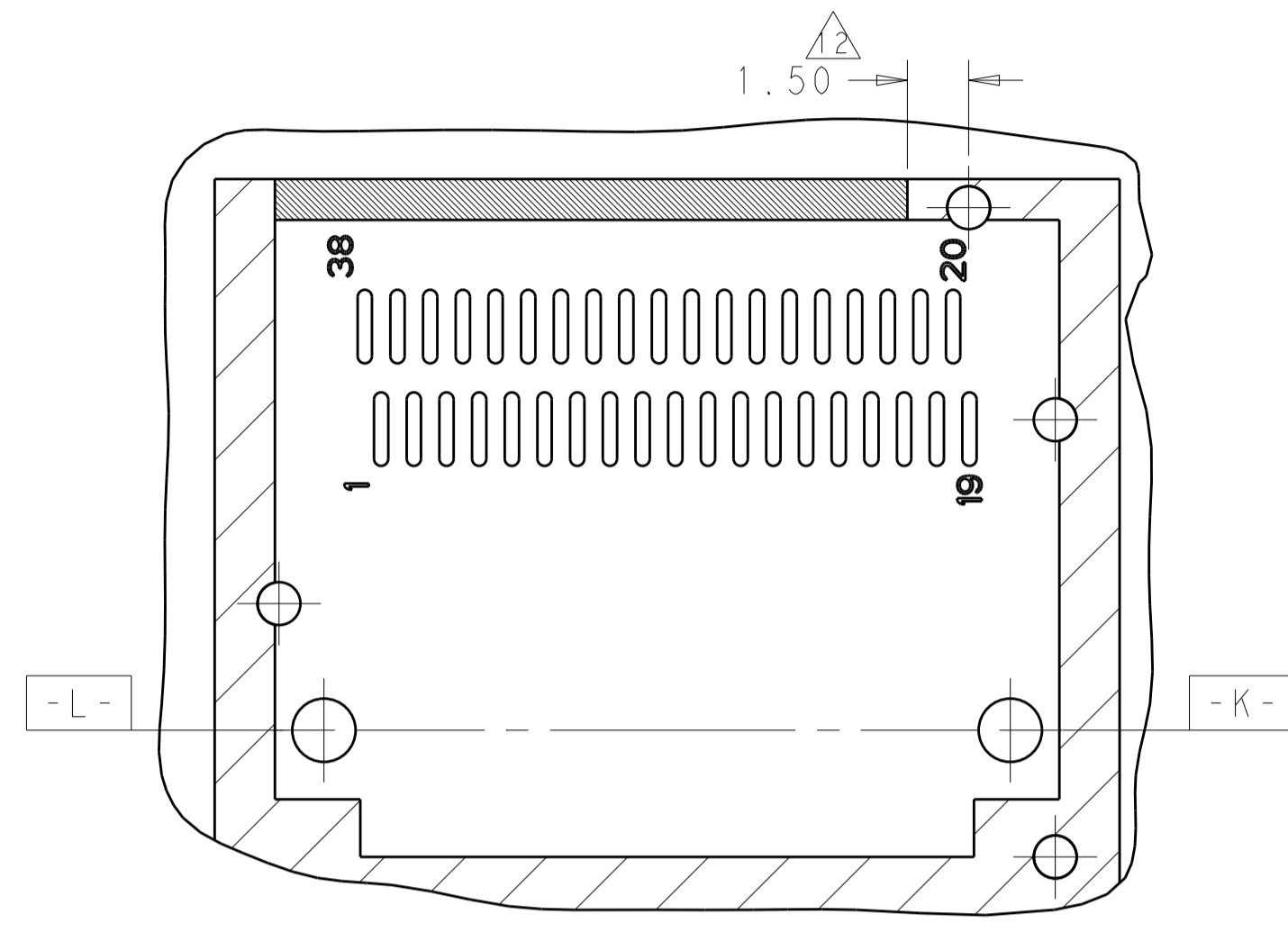


THIS DRAWING IS A CONTROLLED DOCUMENT.		OWN: VINDY LIU 19SEP2019	TE Connectivity
DIMENSIONS: mm		CHK: SEAN HAN 19SEP2019	
TOLERANCES UNLESS OTHERWISE SPECIFIED:		APPV: SEAN HAN 07FEB2020	NAME: CAGE ASSEMBLY, QSP28 1X1, WITH EMI SPRING FINGER, TB
0 PLC	±0.25	PRODUCT SPEC	SIZE: A 100779
1 PLC	±0.25	108-19428	CAGE CODE: 2359309
2 PLC	±0.20	APPLICATION SPEC	SCALE: 1:1
3 PLC	±0.100	114-32023	SHEET: 2 OF 3
4 PLC	±	WEIGHT: -	REV: A
ANGLES	±	MATERIAL: -	CUSTOMER DRAWING
FINISH	-		

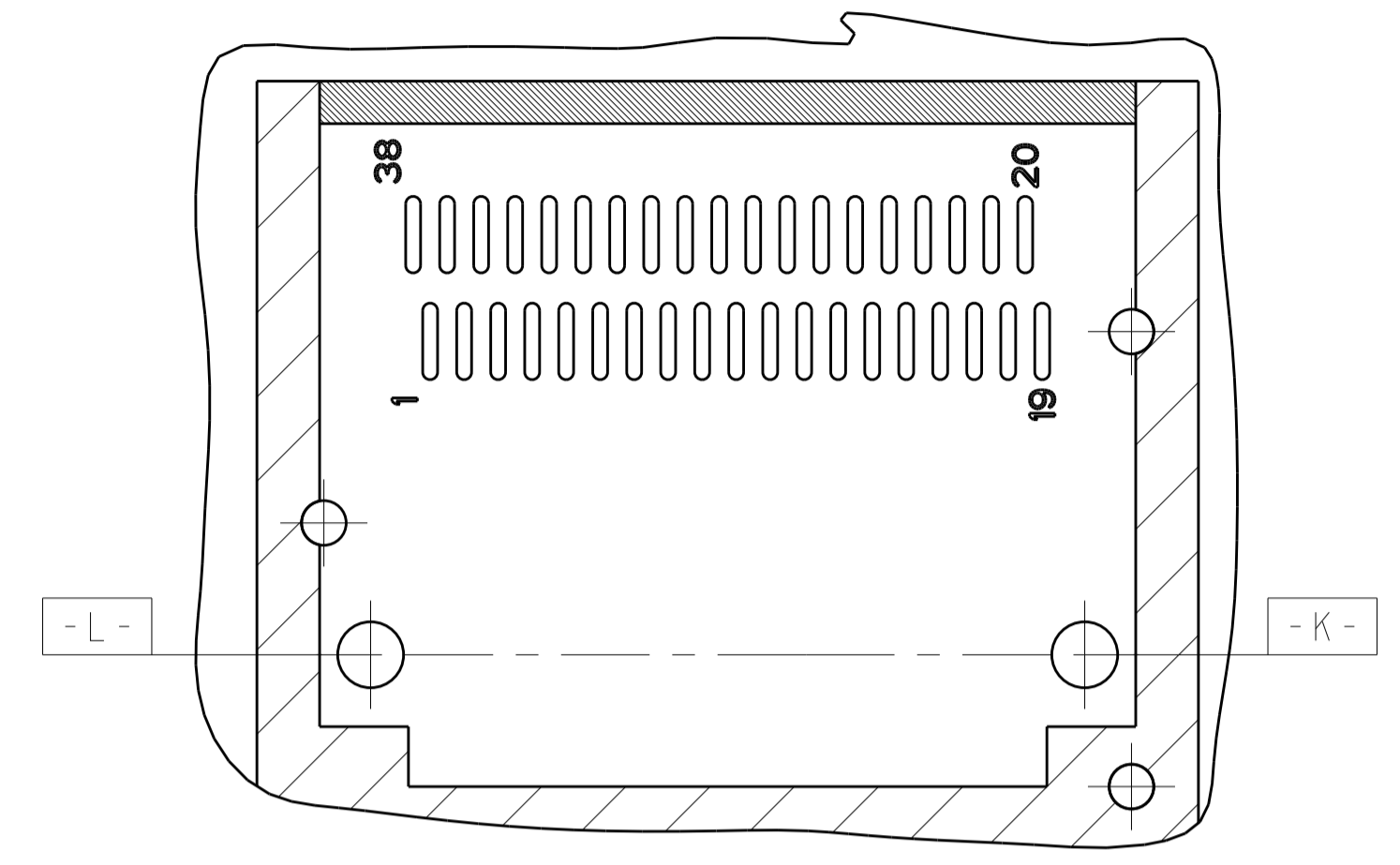
LOC		DIST		REVISIONS				
P	LTN	DATE	DMN	APVD	DESCRIPTION	DATE	DMN	APVD
-	-	-	-	-	SEE SHEET 1	-	-	-



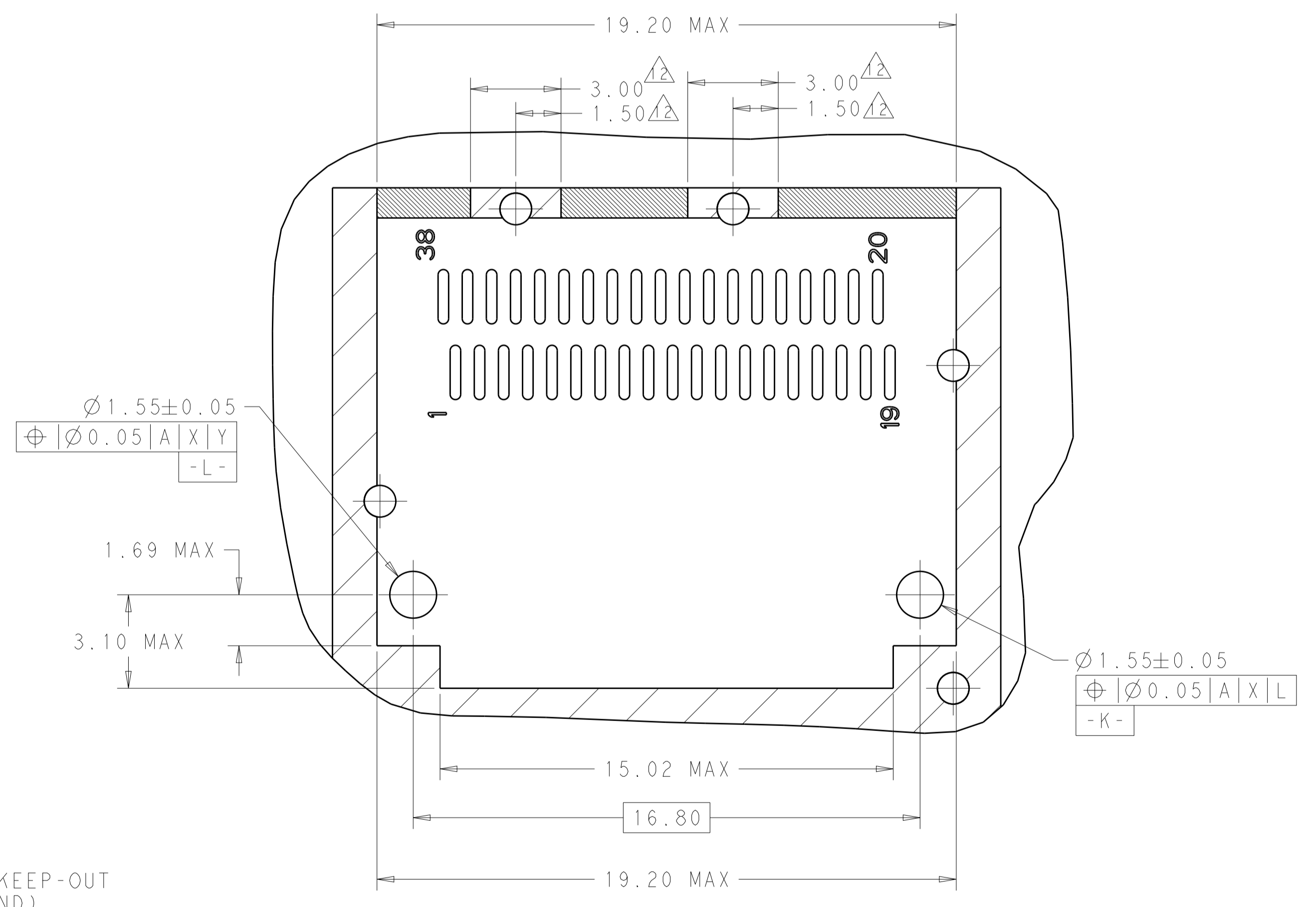
RECOMMENDED PCB LAYOUT
 SINGLE TYPE OF 2 REAR HOLES OF LEGS
 PCB TOLERANCE: ±0.05
 SCALE 6:1



RECOMMENDED PCB LAYOUT
 SINGLE TYPE OF 1 REAR HOLES OF LEGS
 PCB TOLERANCE: ±0.05
 SCALE 6:1



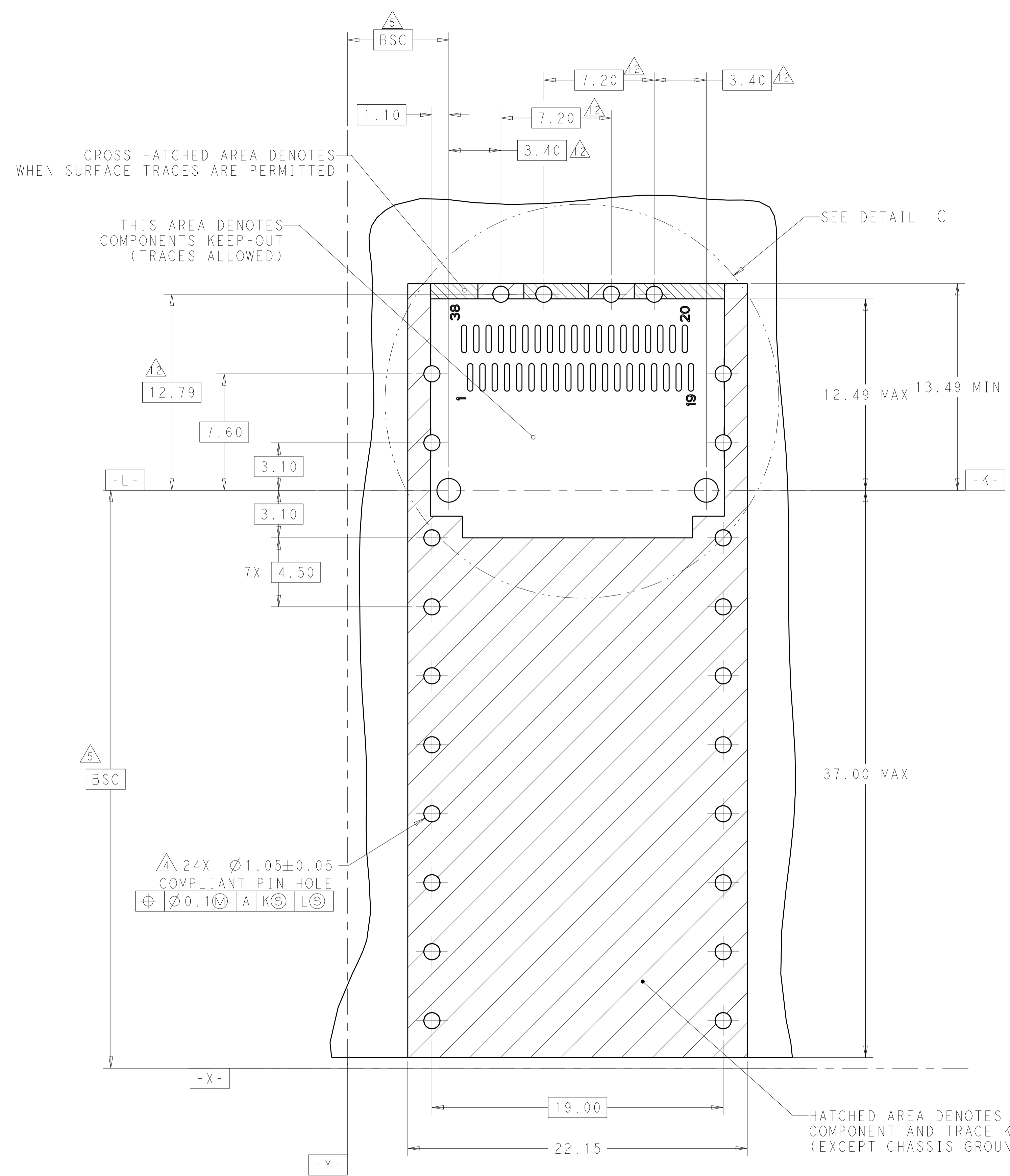
RECOMMENDED PCB LAYOUT
 SINGLE TYPE OF 0 REAR HOLES OF LEGS
 PCB TOLERANCE: ±0.05
 SCALE 6:1



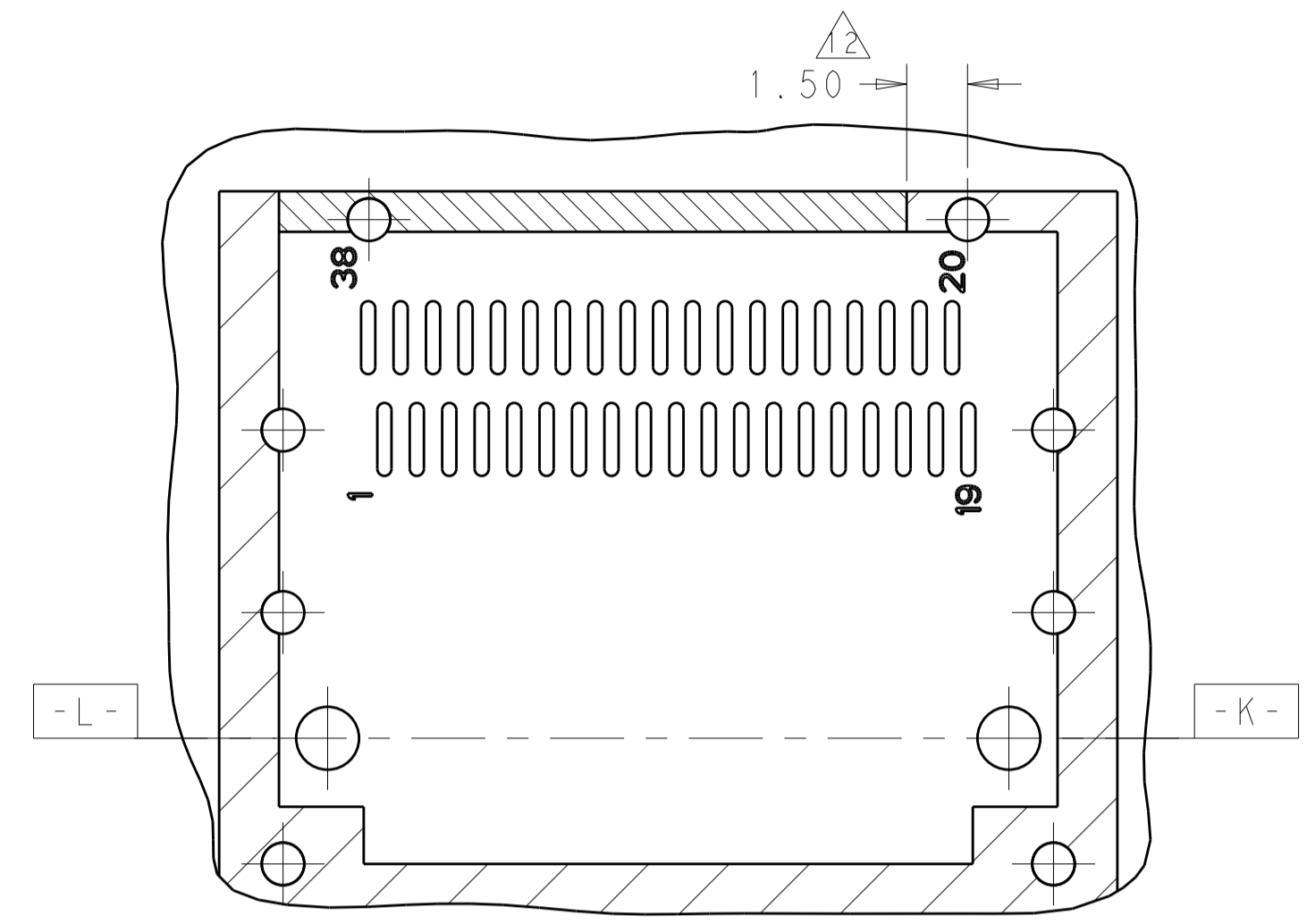
DETAIL B
 SCALE 8:1

THIS DRAWING IS A CONTROLLED DOCUMENT.		OWN: VINDY LLU 19SEP2019	TE Connectivity
DIMENSIONS: mm		CHK: SEAN HAN 19SEP2019	
TOLERANCES UNLESS OTHERWISE SPECIFIED:		APP'D: SEAN HAN 07FEB2020	NAME: CAGE ASSEMBLY, QSPF28 1X1, WITH EMI SPRING FINGER, TB
0 PLC: ±0.25	1 PLC: ±0.25	PRODUCT SPEC: 108-19428	SIZE: A 100779
2 PLC: ±0.20	3 PLC: ±0.100	APPLICATION SPEC: 114-32023	CAGE CODE: 2359309
4 PLC: ±	ANGLES: ±	WEIGHT: -	RESTRICTED TO: -
MATERIAL: -	FINISH: -	CUSTOMER DRAWING	SCALE: 1:1 SHEET: 4 OF 5 REV: A

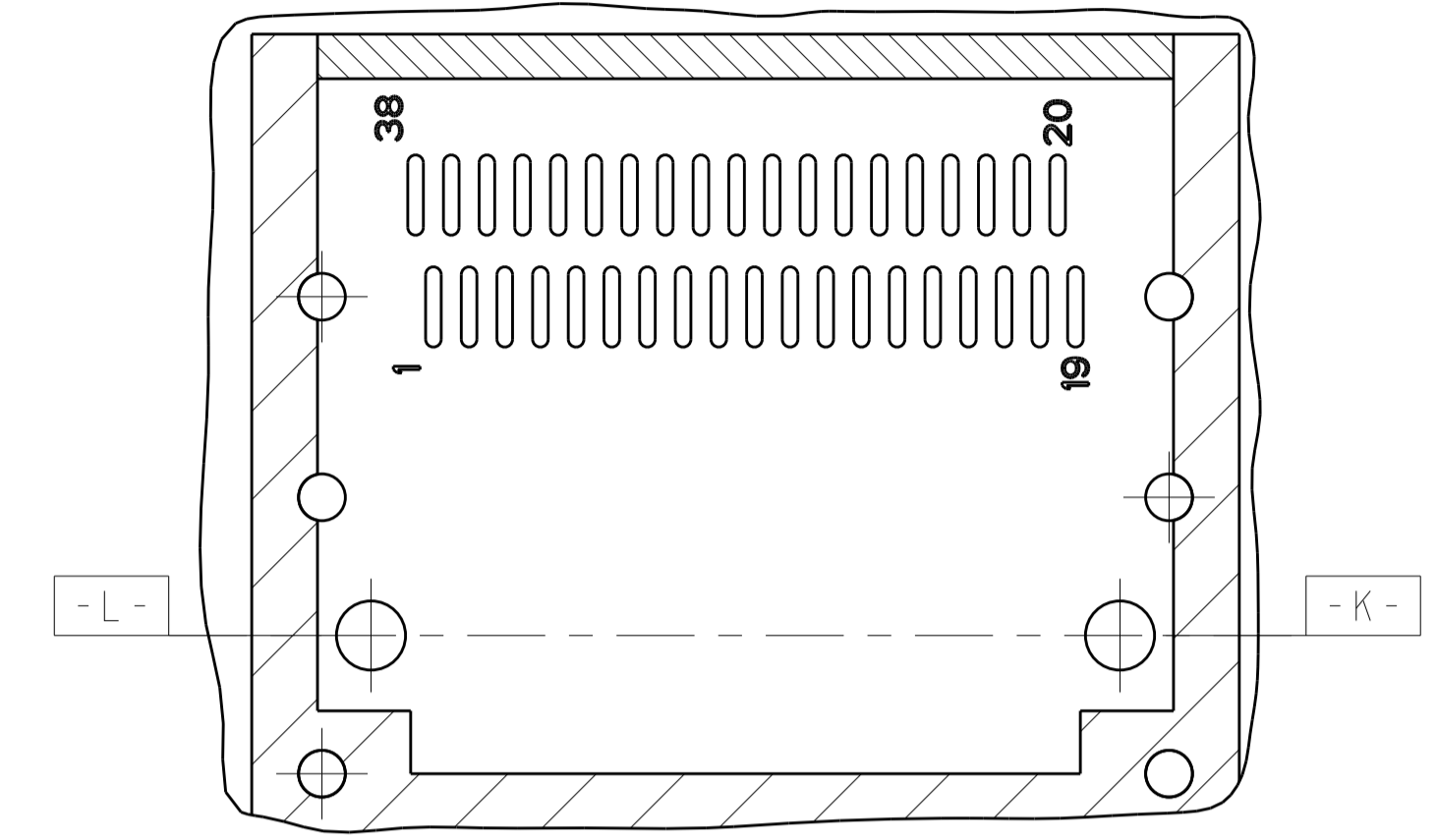
LOC	DIST	REVISIONS	DATE	OWN	APPR
-	-	SEE SHEET 1	-	-	-



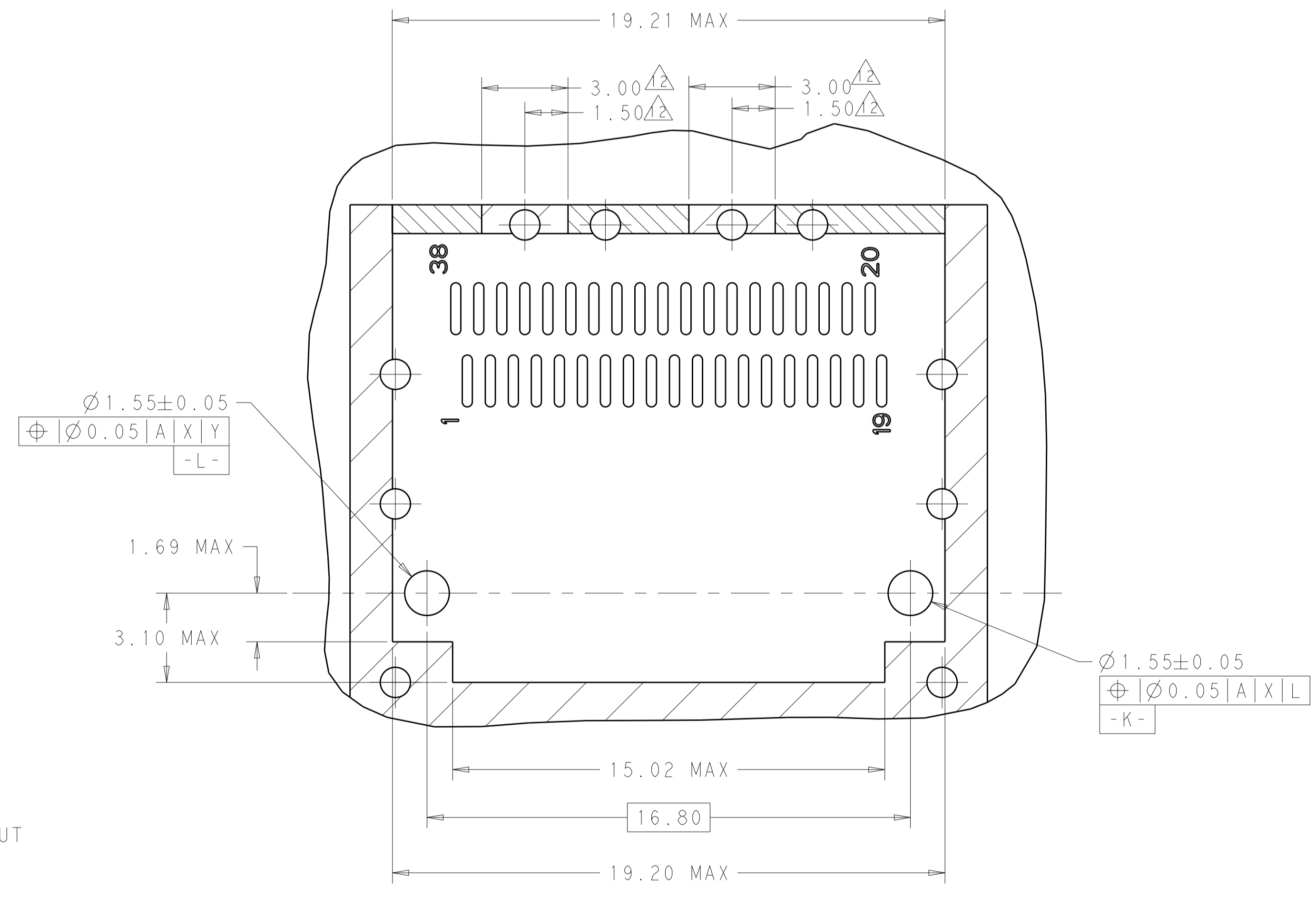
RECOMMENDED PCB LAYOUT
 BELLY TO BELLY TYPE OF 2 REAR HOLES OF LEGS
 PCB TOLERANCE: ±0.05
 SCALE 6:1



RECOMMENDED PCB LAYOUT
 BELLY TO BELLY TYPE OF 1 REAR HOLES OF LEGS
 PCB TOLERANCE: ±0.05
 SCALE 6:1



RECOMMENDED PCB LAYOUT
 BELLY TO BELLY TYPE OF 0 REAR HOLES OF LEGS
 PCB TOLERANCE: ±0.05
 SCALE 6:1



DETAIL C
 SCALE 8:1

THIS DRAWING IS A CONTROLLED DOCUMENT.		OWN: VINDY LLU 19SEP2019	TE Connectivity NAME: CAGE ASSEMBLY, QSFP28 1X1, WITH EMI SPRING FINGER, TB
DIMENSIONS: mm		CHK: SEAN HAN 19SEP2019	
TOLERANCES UNLESS OTHERWISE SPECIFIED:		APP'D: SEAN HAN 07FEB2020	SIZE: A
0 PLC: ±0.25	1 PLC: ±0.25	PRODUCT SPEC: 108-19428	CAGE CODE: 2359309
2 PLC: ±0.20	3 PLC: ±0.100	APPLICATION SPEC: 114-32023	SCALE: 1:1
4 PLC: ±	ANGLES: ±	WEIGHT: -	SHEET: 5 OF 5
MATERIAL: -	FINISH: -	CUSTOMER DRAWING	REV: A