

REVISIONS

P	LTR	DESCRIPTION	DATE	DWN	APVD
A		ECN-22-171085	24AUG2022	LL	DZ
AI		REVISED PER ECN-24-264609	07MAY2024	TR	JM

NOTES:

- MATERIALS:
 PLASTICS: HIGH TEMPERATURE THERMOPLASTIC UL94V-0, COLOR: BLACK.
 SHELL: STAINLESS
 CONTACT: COPPER ALLOY
 DUST CAP: STAINLESS

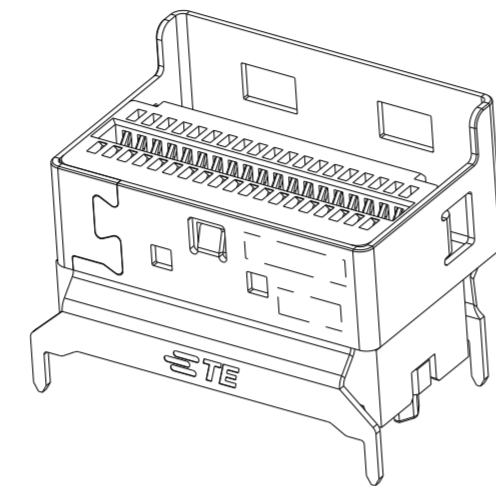
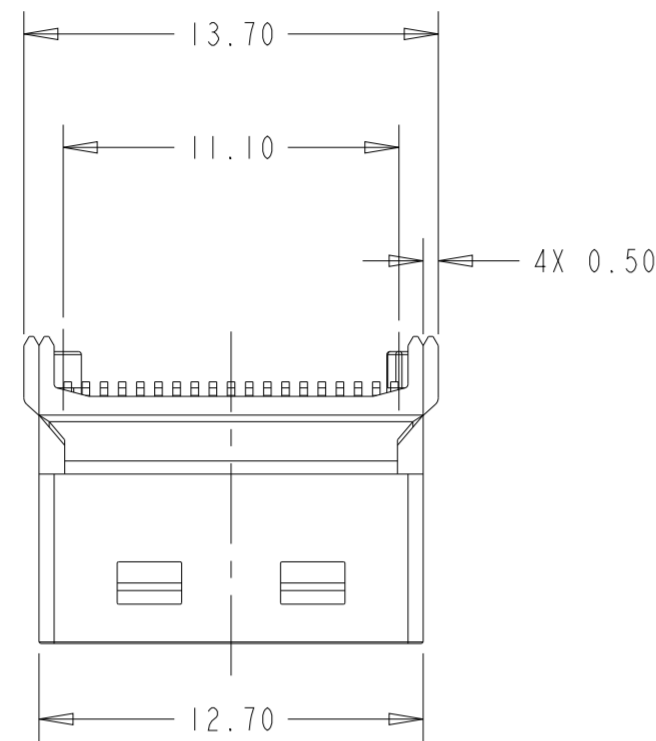
- FINISH:
 TERMINAL: CONTACT AREA: SELECTED GOLD PLATING, SEE TABLE.
 SOLDER AREA: MATTE TIN PLATING 100u".
 UNDER PLATING: NICKEL PLATING 50u" MIN OVER ALL.
 SHELL: UNDER PLATING: ELECTROLESS NICKEL PLATING 50u" MIN OVERALL.

- HALOGEN REQUIREMENT MEET CODE 2: LOW BR/CL AS DEFINED IN TEC-138-702.

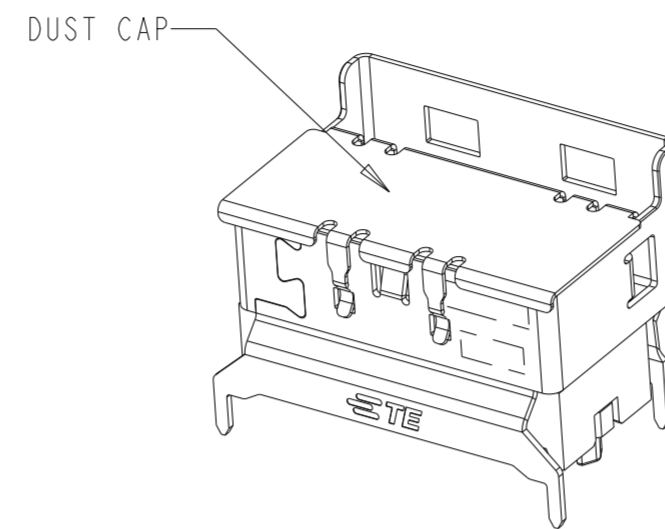
- TE CONNECTIVITY LOGO MARKED IN APPROXIMATE AREA SHOWN.

- PART NUMBER AND DATE CODE MARKED IN APPROXIMATE AREA SHOWN.

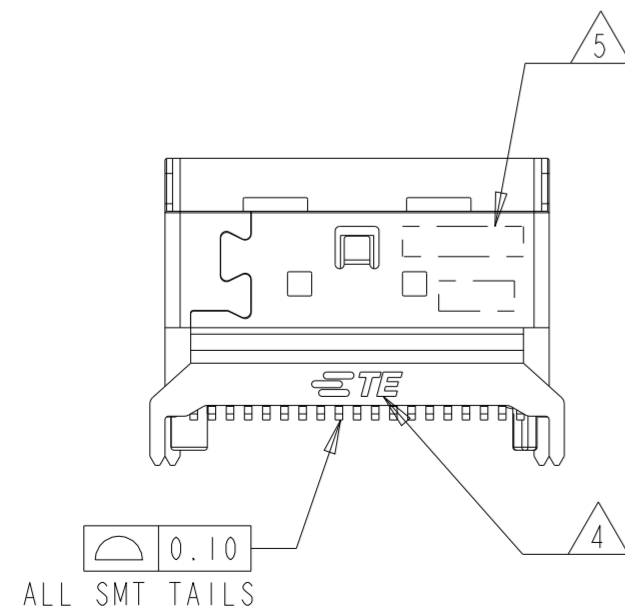
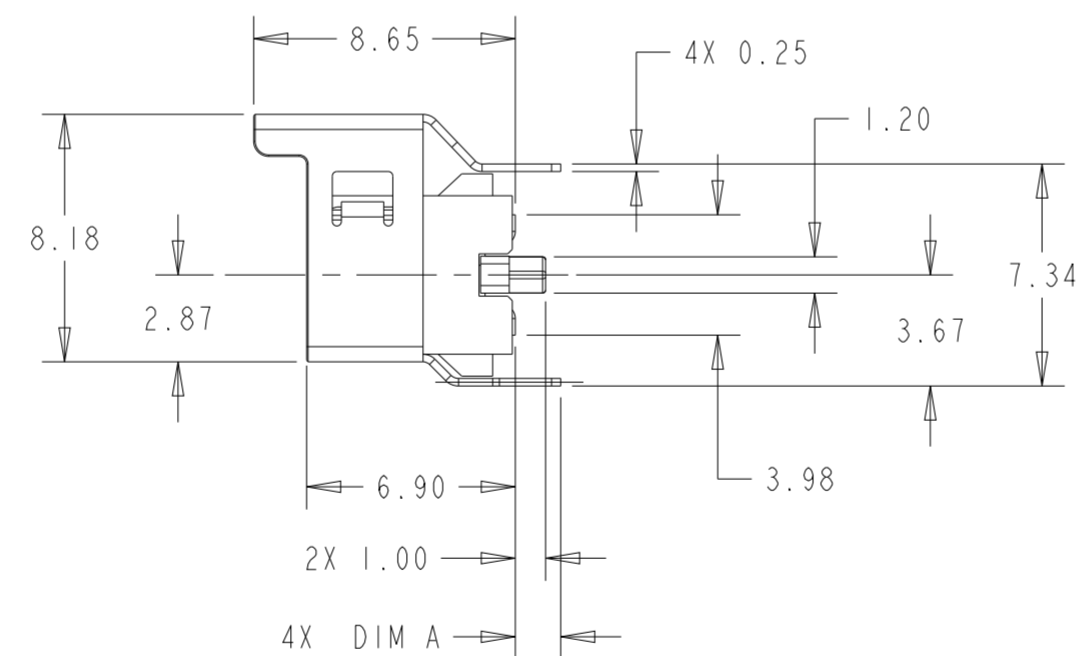
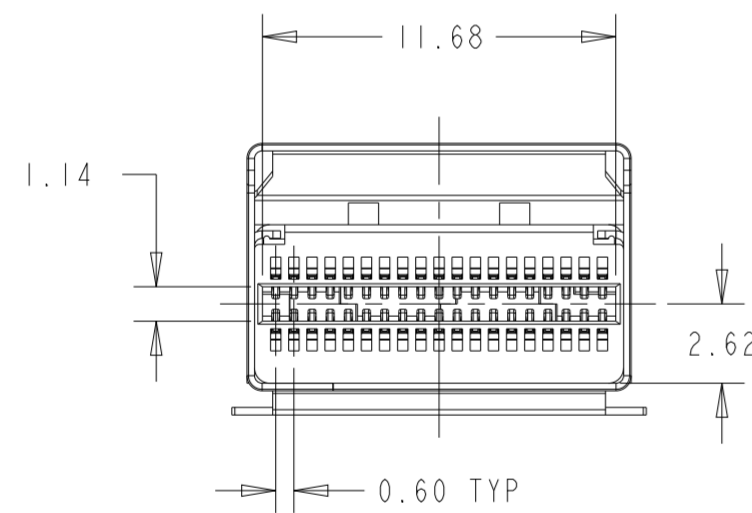
- TAPE AND REEL PACKAGED FOR PICK AND PLACE SMT PROCESSING.
 SEE FIGURE 1. POCKET TAPE WIDTH = 44.



W/O DUST CAP
SCALE 4:1



W/ DUST CAP
SCALE 4:1



REEL DIRECTION	CARTON QUANTITY	REEL QUANTITY	CAP OPTION	CONTACT FINISH	DIM A	PART NUMBER
SEE FIGURE 1	640	160	W/O DUST CAP	30u" GOLD	4.20MM	1-2360221-8
					3.00MM	1-2360221-7
					2.20MM	1-2360221-6
					1.50MM	1-2360221-5
			W/ DUST CAP	15u" GOLD	4.20MM	1-2360221-4
					3.00MM	1-2360221-3
					2.20MM	1-2360221-2
					1.50MM	1-2360221-1
W/ DUST CAP	30u" GOLD	4.20MM	2360221-8			
		3.00MM	2360221-7			
		2.20MM	2360221-6			
		1.50MM	2360221-5			
W/ DUST CAP	15u" GOLD	4.20MM	2360221-4			
		3.00MM	2360221-3			
		2.20MM	2360221-2			
		1.50MM	2360221-1			

THIS DRAWING IS A CONTROLLED DOCUMENT.

DIMENSIONS: mm	TOLERANCES UNLESS OTHERWISE SPECIFIED: 0 PLC ± 1 PLC ±0.35 2 PLC ±0.25 3 PLC ±0.10 4 PLC ± ANGLES ±2° FINISH	DWN LEO LI 26 JUL 2019 CHK DAVID ZHANG 26 JUL 2019 APVD DAVID ZHANG 26 JUL 2019	NAME DAVID ZHANG
MATERIAL SEE NOTE		PRODUCT SPEC 108-60134 APPLICATION SPEC 114-60031	SIZE A2
		WEIGHT -	CAGE CODE 00779
		CUSTOMER DRAWING	DRAWING NO C-2360221

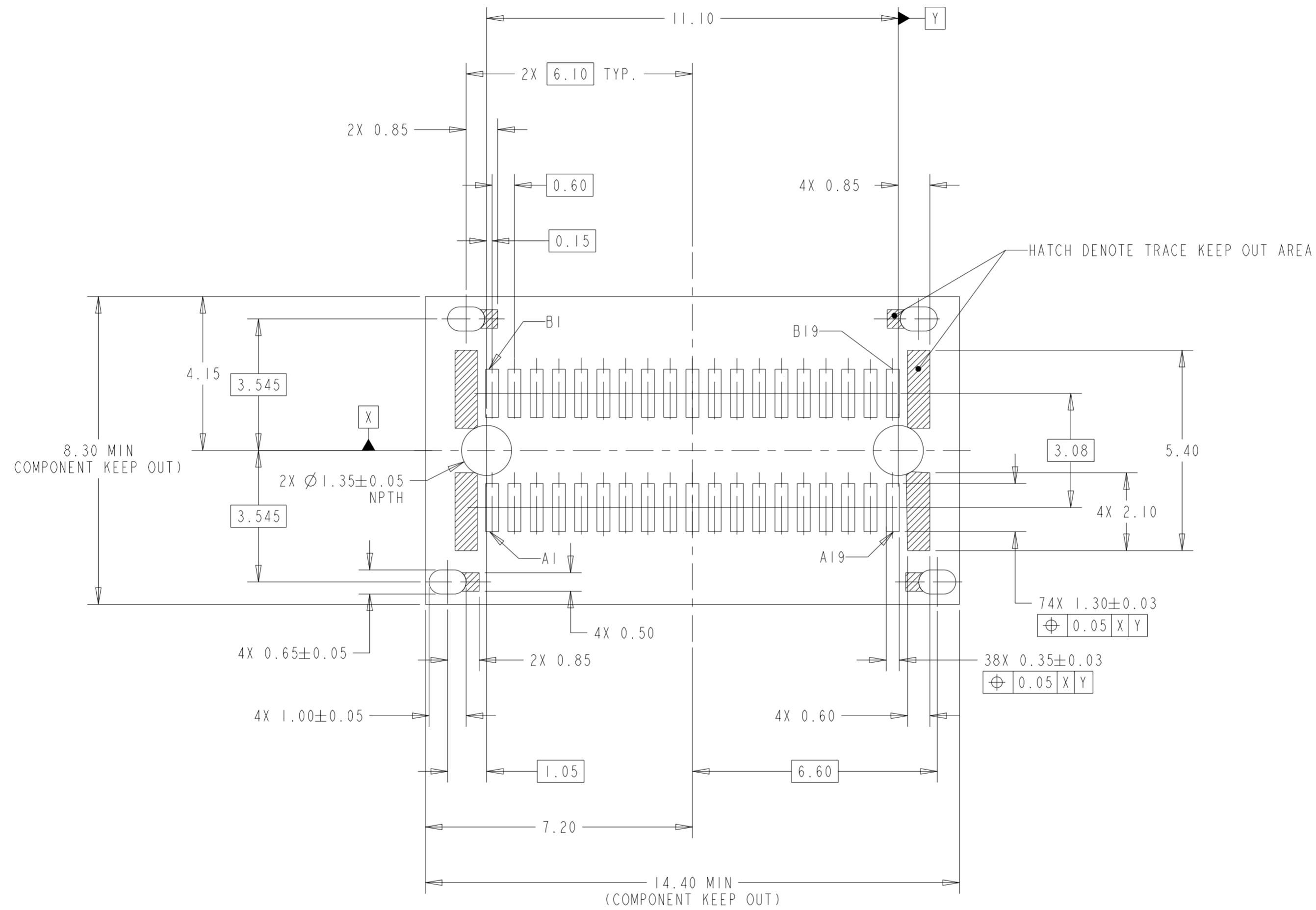
TE Connectivity

LOW PROFILE SLIM SAS
X4, RECEPTACLE VERTICAL CONN.

RESTRICTED TO

SCALE 4:1 SHEET 1 OF 3 REV AI

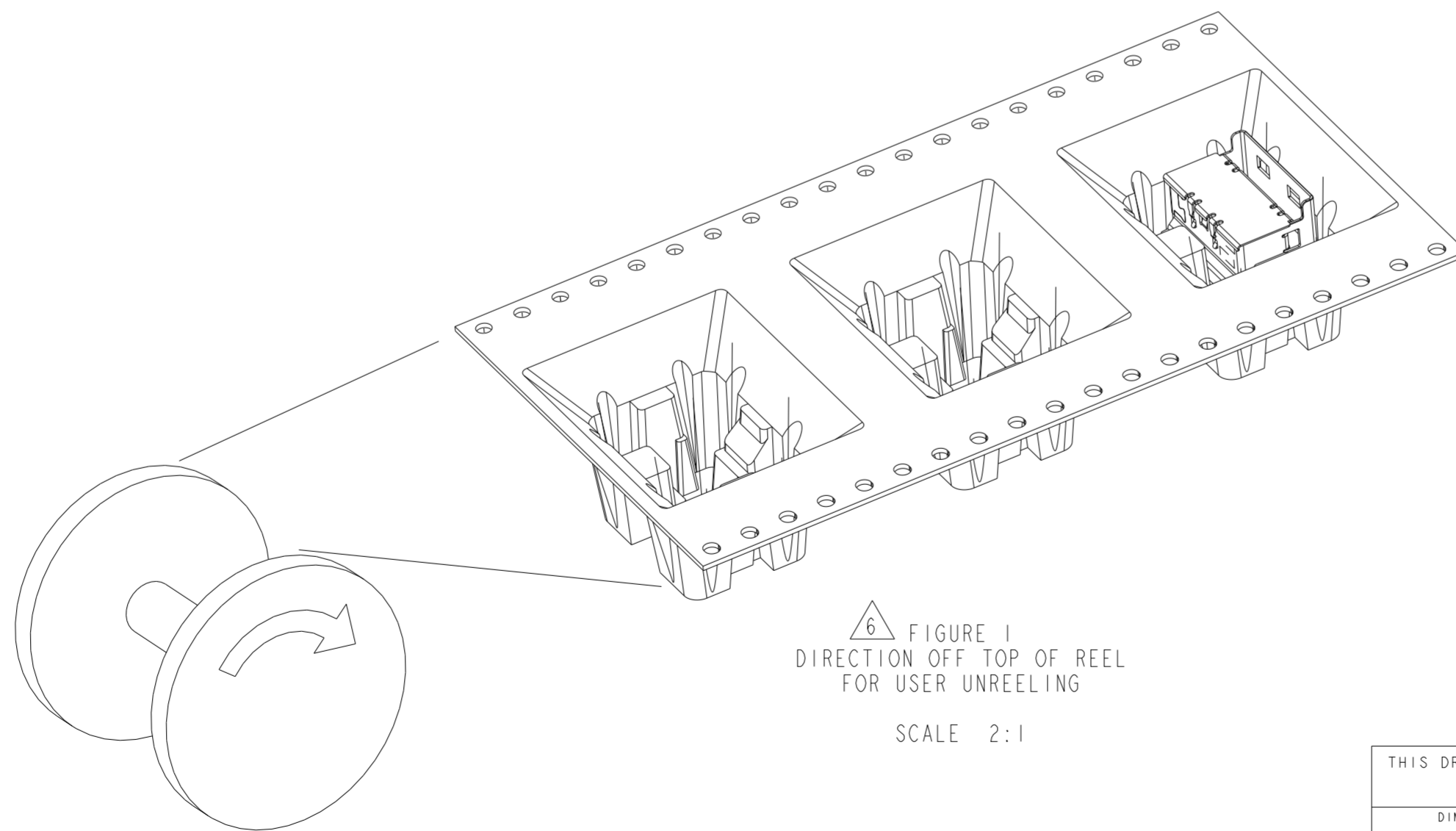
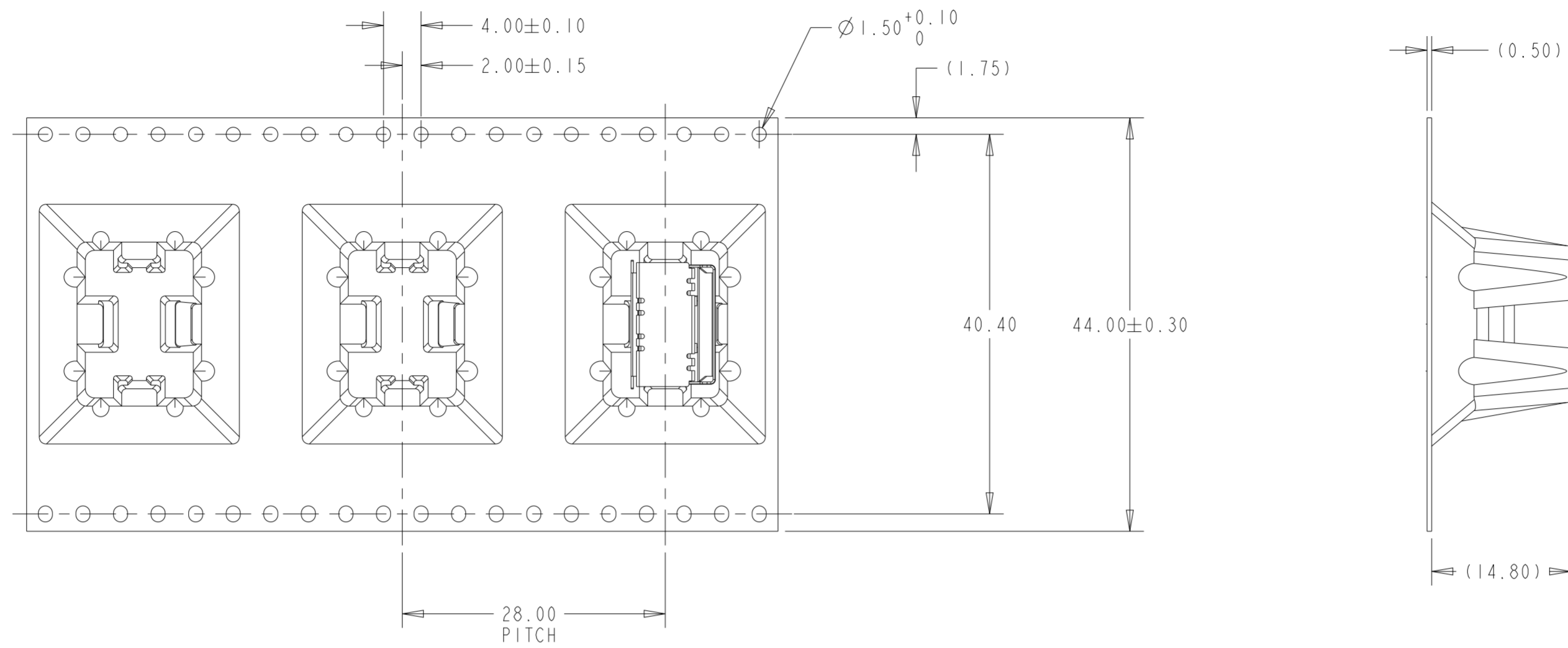
P	LTR	DESCRIPTION	DATE	DWN	APVD
-	-	SEE SHEET 1	-	-	-



RECOMMENDED PCB LAYOUT
AND KEEP OUT AREA
TOP VIEW
TOLERANCE: ±0.05
SCALE 10:1

THIS DRAWING IS A CONTROLLED DOCUMENT.		DWN LEO LI 26 JUL 2019	TE Connectivity	
DIMENSIONS: mm		CHK DAVID ZHANG 26 JUL 2019		
TOLERANCES UNLESS OTHERWISE SPECIFIED:		APVD DAVID ZHANG 26 JUL 2019	NAME LOW PROFILE SLIM SAS X4, RECEPTACLE VERTICAL CONN.	
0 PLC ± 1 PLC ±0.35 2 PLC ±0.25 3 PLC ±0.10 4 PLC ± ANGLES ±2° FINISH		PRODUCT SPEC 108-60134	RESTRICTED TO	
MATERIAL SEE NOTE		APPLICATION SPEC 114-60031	SIZE A2	CAGE CODE 00779
		WEIGHT -	DRAWING NO C-2360221	SCALE 4:1
		CUSTOMER DRAWING	SHEET 2 OF 3	REV A1

P	LTR	DESCRIPTION	DATE	DWN	APVD
-	-	SEE SHEET 1	-	-	-



6 **FIGURE 1**
DIRECTION OFF TOP OF REEL
FOR USER UNREELING
SCALE 2:1

THIS DRAWING IS A CONTROLLED DOCUMENT.		DWN LEO LI 26 JUL 2019	TE Connectivity	
DIMENSIONS: mm		CHK DAVID ZHANG 26 JUL 2019		
TOLERANCES UNLESS OTHERWISE SPECIFIED:		APVD DAVID ZHANG 26 JUL 2019	NAME LOW PROFILE SLIM SAS X4, RECEPTACLE VERTICAL CONN.	
0 PLC ± 1 PLC ±0.35 2 PLC ±0.25 3 PLC ±0.10 4 PLC ± ANGLES ±2° FINISH		PRODUCT SPEC 108-60134	SIZE A2	CAGE CODE 00779
MATERIAL SEE NOTE		APPLICATION SPEC 114-60031	DRAWING NO C-2360221	RESTRICTED TO
		WEIGHT -	SCALE 4:1	SHEET 3 OF 3
		CUSTOMER DRAWING	REV A1	