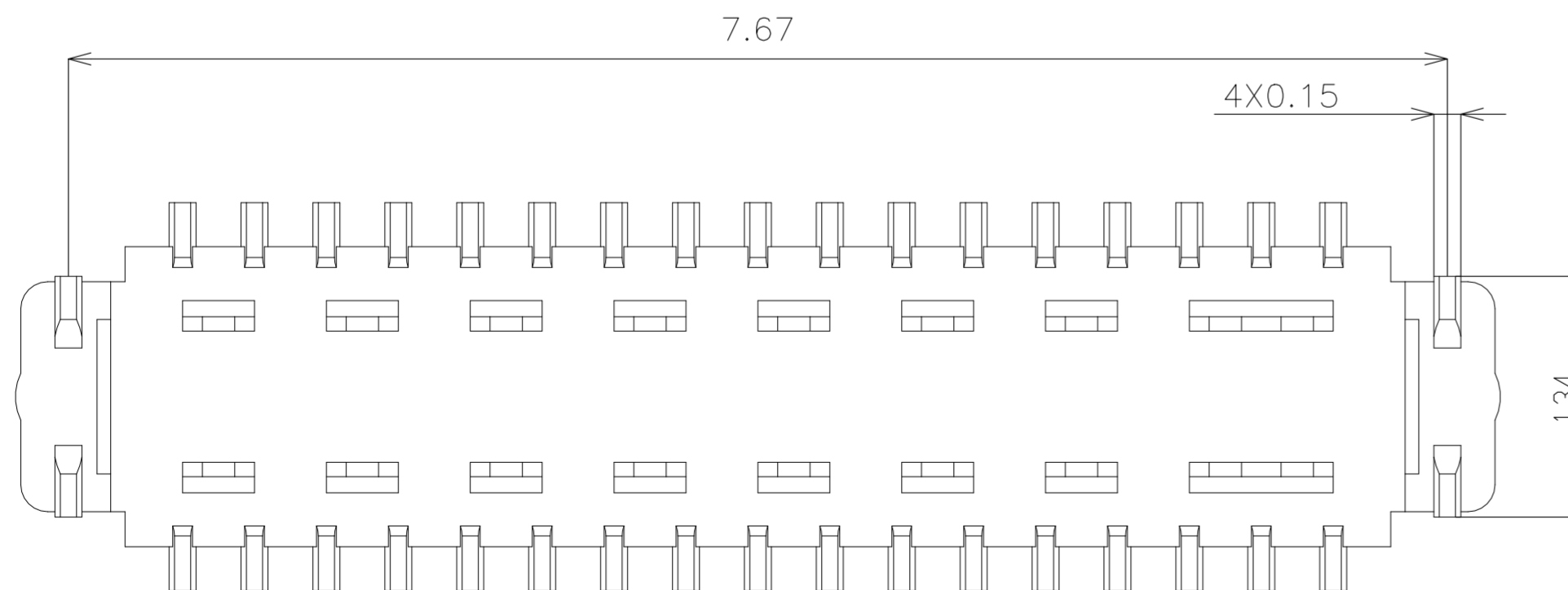
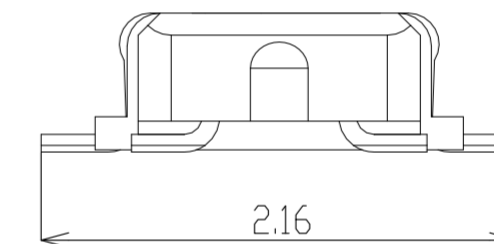
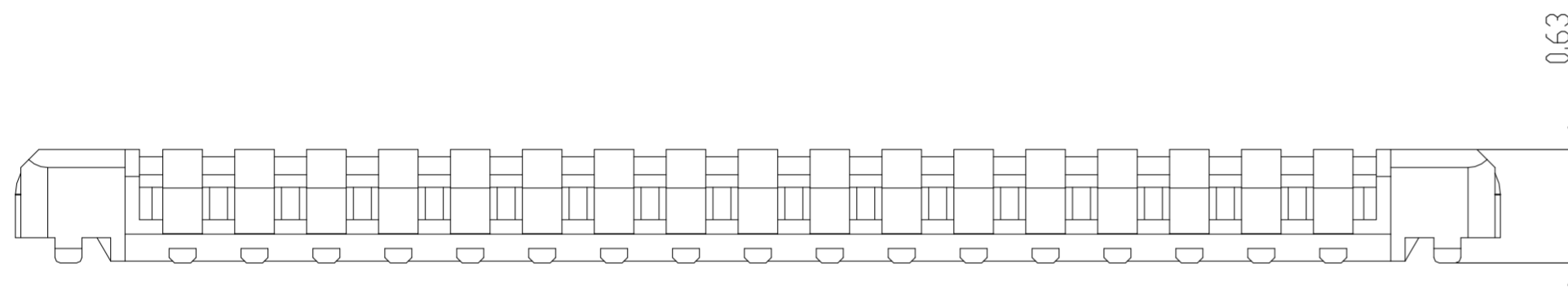
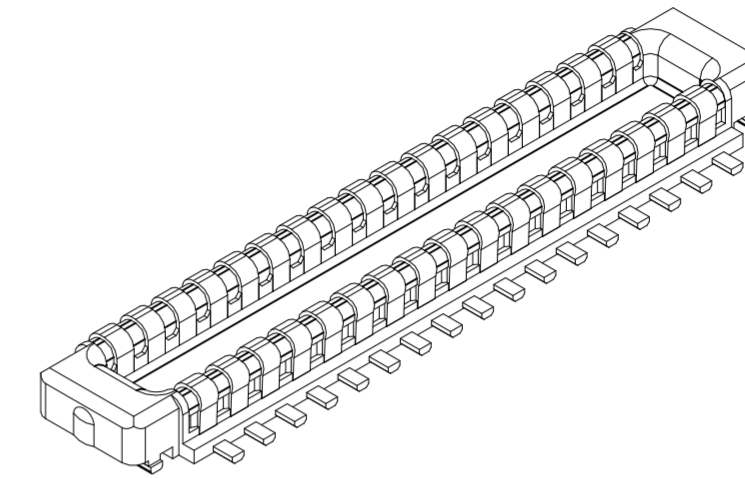
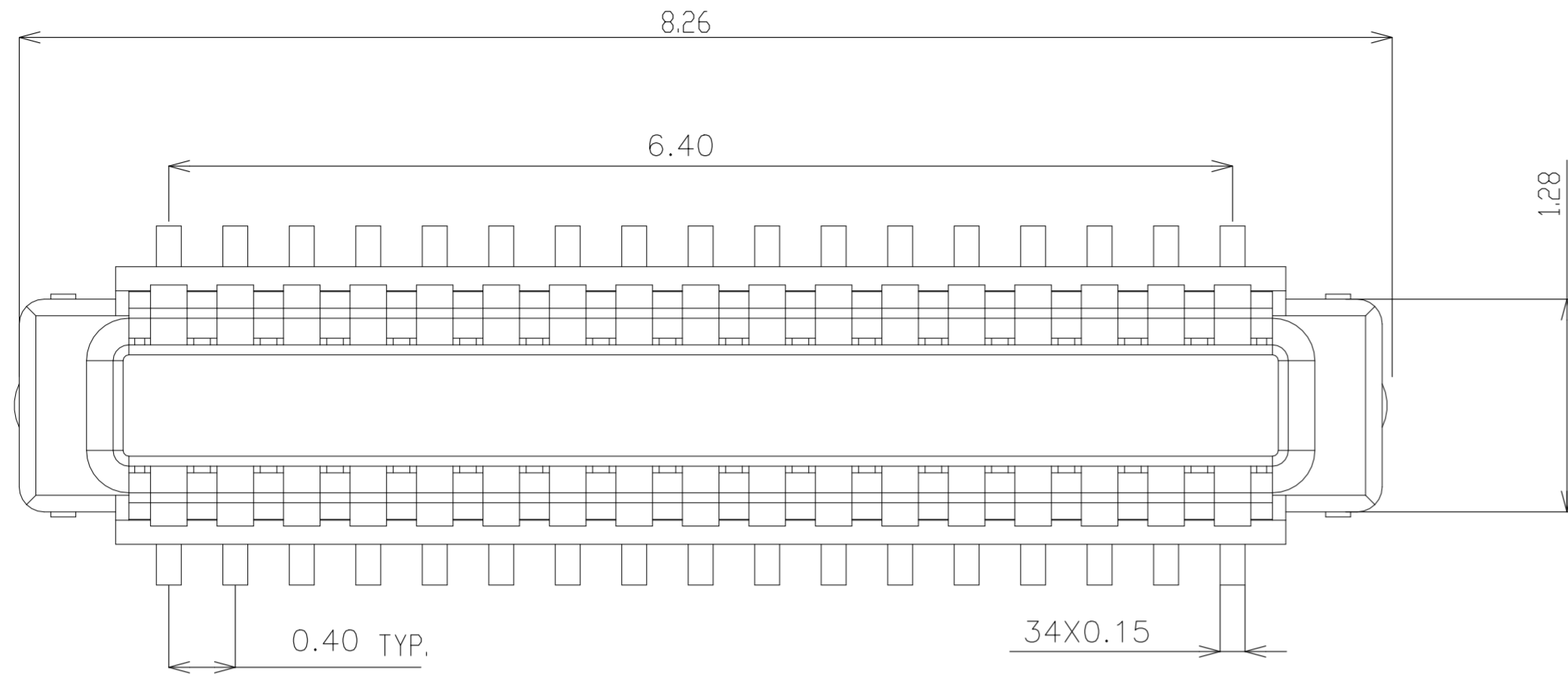


P	LTR	DESCRIPTION	DATE	DWN	APVD
A		FIRST RELEASED	13JUL2021	J.J	N.S

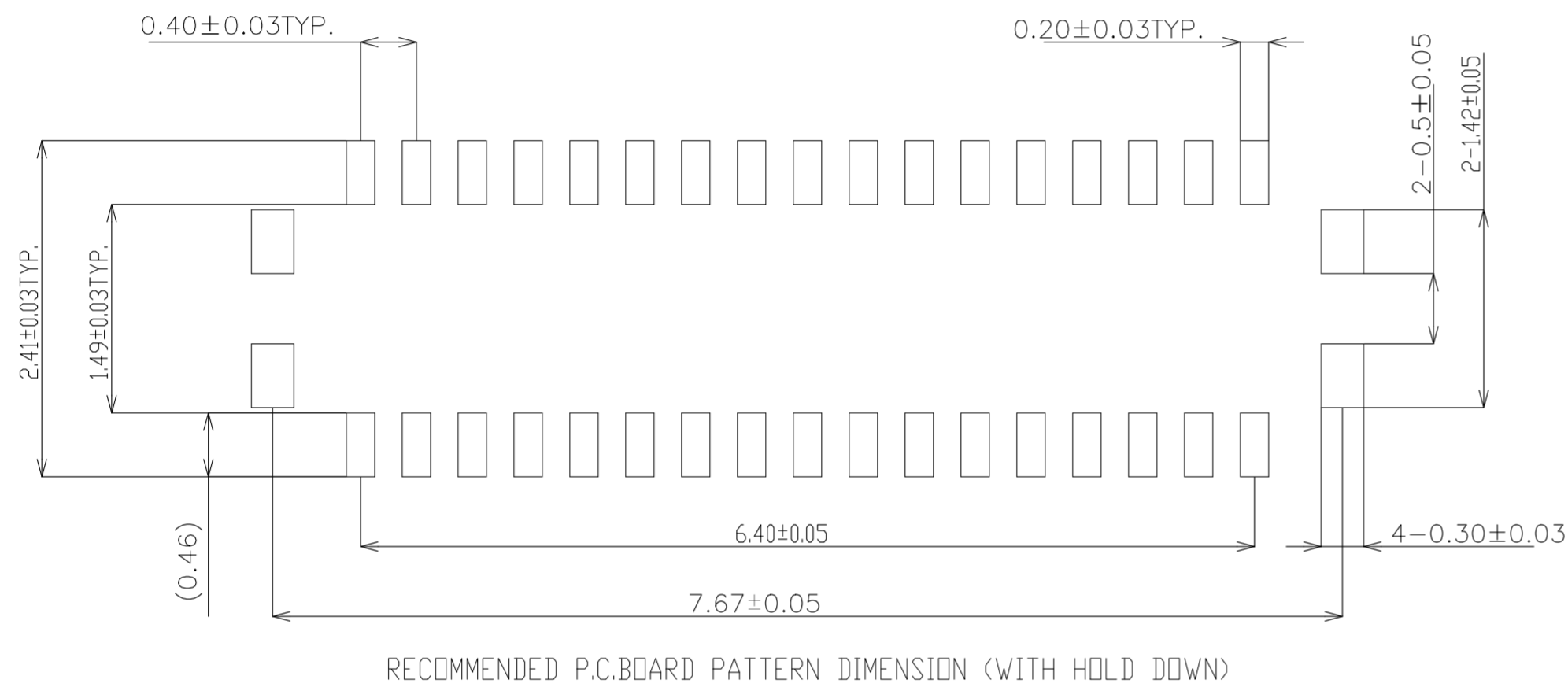


3-2396002-4  
PART NUMBER

THIS DRAWING IS A CONTROLLED DOCUMENT.		DWN Jone J 17JUN2021	TE Connectivity Ltd.																			
DIMENSIONS: mm		CHK Niki S 17JUN2021																				
TOLERANCES UNLESS OTHERWISE SPECIFIED:		APVD Niki S 17JUN2021	NAME P0.4 H0.8 BOARD TO BOARD CONN. PLUG.																			
<table border="0"> <tr> <td>0 PLC</td> <td>±</td> <td>-</td> </tr> <tr> <td>1 PLC</td> <td>±</td> <td>0.3</td> </tr> <tr> <td>2 PLC</td> <td>±</td> <td>0.2</td> </tr> <tr> <td>3 PLC</td> <td>±</td> <td>0.15</td> </tr> <tr> <td>4 PLC</td> <td>±</td> <td>-</td> </tr> <tr> <td>ANGLES</td> <td>±</td> <td>3</td> </tr> </table>		0 PLC	±	-	1 PLC	±	0.3	2 PLC	±	0.2	3 PLC	±	0.15	4 PLC	±	-	ANGLES	±	3	PRODUCT SPEC -	SIZE A2	
0 PLC	±	-																				
1 PLC	±	0.3																				
2 PLC	±	0.2																				
3 PLC	±	0.15																				
4 PLC	±	-																				
ANGLES	±	3																				
MATERIAL -		FINISH -	APPLICATION SPEC -	CAGE CODE 00779																		
		WEIGHT 0	DRAWING NO C=2396002	RESTRICTED TO -																		
CUSTOMER DRAWING			SCALE 1:1	SHEET 1 of 3																		
			REV A																			

2396002

P	LTR	DESCRIPTION	DATE	DWN	APVD
-	-	SEE SHEET 1	-	-	-

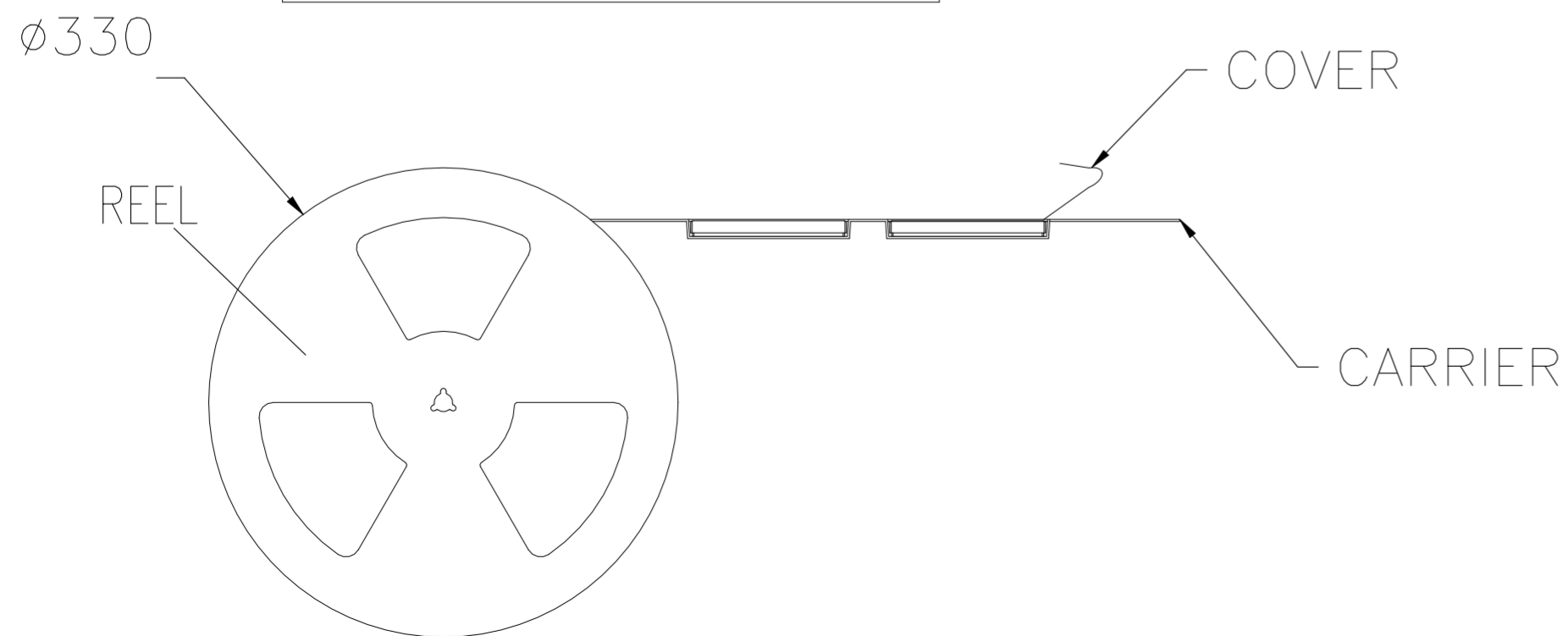
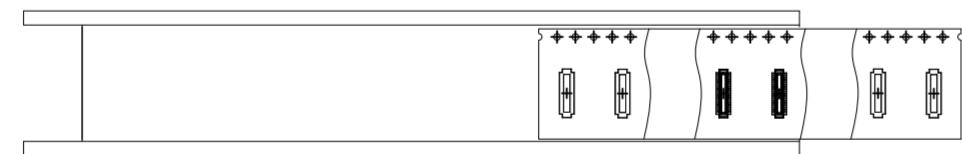
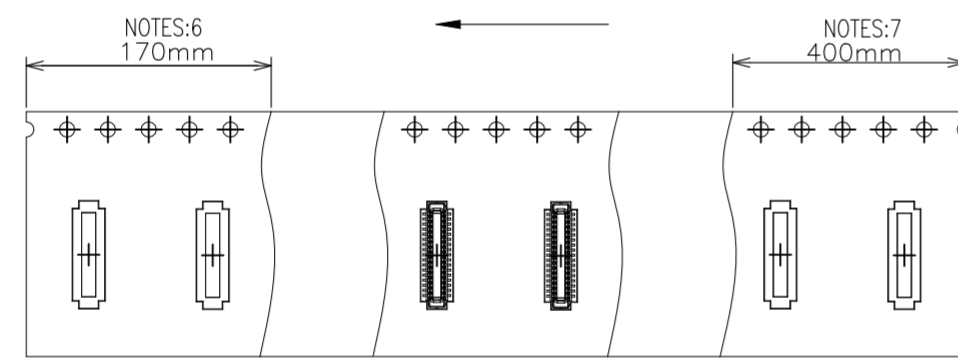
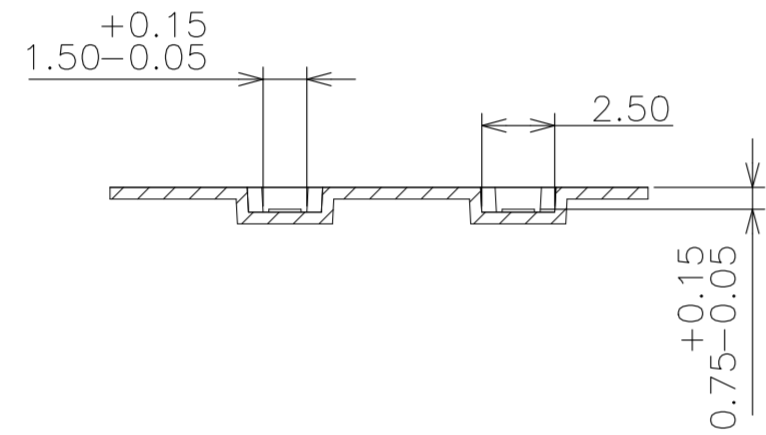
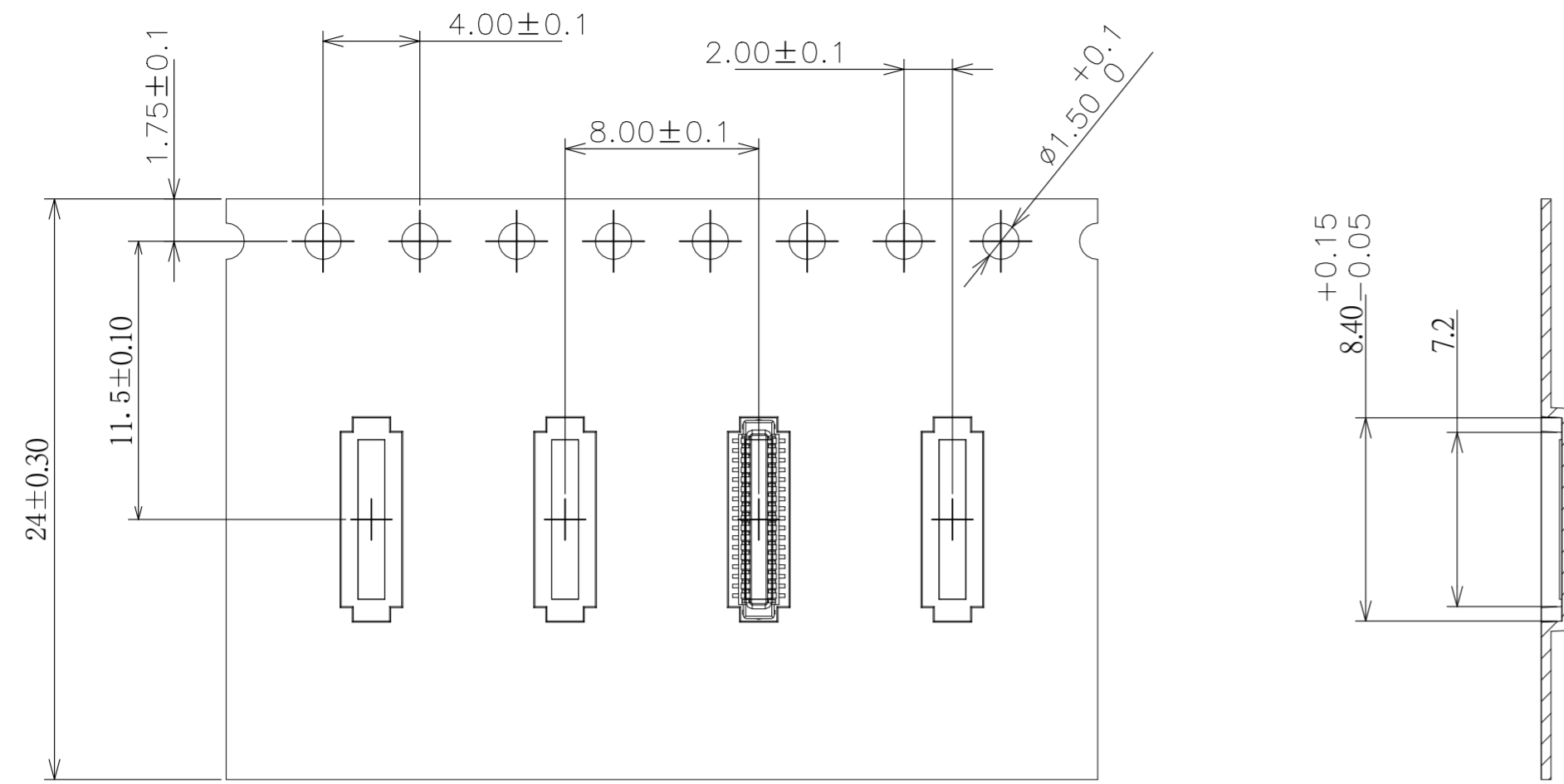


- NOTES:
- MATERIAL:
    - HOUSING: LCP, UL 94 V-0, COLOR: BLACK.
    - CONTACT: COPPER ALLOY.
    - HOLD DOWN: COPPER ALLOY.
  - FINISH:
    - CONTACT: GOLD FLASH ON CONTACT AND SOLDERING AREA. NICKEL UNDER PLATING OVERALL.
    - HOLD DOWN: GOLD FLASH PLATING OVER NICKEL UNDER PLATING.
  - REFLOW SOLDER CAPABLE TO 260 °C.
  - MATING PLUG PART NUMBER: 3-2396001-4.



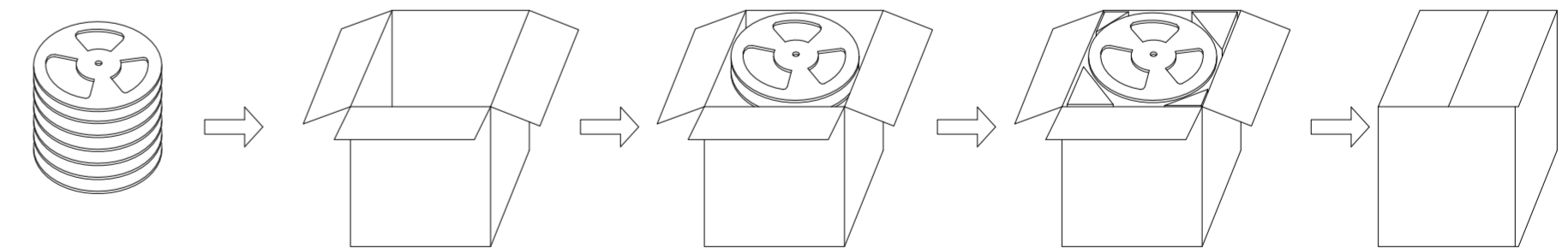
THIS DRAWING IS A CONTROLLED DOCUMENT.		DWN	Jone J	17JUN2021	TE Connectivity Ltd.
		CHK	Niki S	17JUN2021	
		APVD	Niki S	17JUN2021	
		PRODUCT SPEC			
DIMENSIONS: mm		TOLERANCES UNLESS OTHERWISE SPECIFIED:		NAME	
0 PLC ± 1 PLC ± 0.3 2 PLC ± 0.2 3 PLC ± 0.15 4 PLC ± ANGLES ± 3		APPLICATION SPEC		P0.4 H0.8 BOARD TO BOARD CONN. REC.	
MATERIAL		FINISH		SIZE	
				A2 00779	
		WEIGHT		DRAWING NO	
		-		C=2396002	
		CUSTOMER DRAWING		RESTRICTED TO	
				-	
		SCALE		SHEET	
		1:1		2 of 3	
				REV	
				A	

REVISIONS					
P	LTR	DESCRIPTION	DATE	DWN	APVD
-	-	SEE SHEET 1	-	-	-



- NOTES :
- PACKAGING MATERIAL IN PLASTIC, RUBBER, INK, PIGMENT AND PAINT MUST MEET CONTROLLED SUBSTANCES SPEC PER 230-702.
  - \* CADMIUM AND CADMIUM COMPOUNDS NOT TO EXCEED: 5 PPM.
  - \* LEAD, CADMIUM, CHROM VI AND MERCURY NOT TO EXCEED: 100 PPM (COMBINED).
  - \* CARRIER TAPES, COVER TAPES, REELS AND TAPED COMPONENTS MUST MEET THE REQUIREMENTS DEFINED PER EIA-481-C.
- MATERIAL :  
COVER TAPE : PET, COLOR: TRANSPARENT.  
CARRIER TAPE : POLYSTYRENES, BLACK COLOR.  
REEL : POLYSTYRENES, BLUE COLOR.  
SHIPPING BOX: CORRUGATED FIBER
  - DIMENSION :  
REEL : SEE DRAWING  
SHIPPING BOX : SEE DRAWING
  - QUANTITY : SEE TABLE
  - WEIGHT : SEE TABLE
  - PEELING RESISTANCE : 10gf~130gf
  - PEELING SPEED : 300mm/MINUTES

5.502KG	0.42KG	5000	6	30000	3-2396002-4
GROSS WEIGHT	NET WEIGHT	PCS/ REEL	REEL/ BOX	PCS/ BOX	PART NUMBER



OUT BOX PACKAGE DIAGRAM DRAWING

THIS DRAWING IS A CONTROLLED DOCUMENT.		DWN	Jone J	17JUN2021	TE Connectivity Ltd.	
		CHK	Niki S	17JUN2021		
		APVD	Niki S	17JUN2021	NAME	
		PRODUCT SPEC			P0.4 H0.8 BOARD TO BOARD CONN. REC.	
		APPLICATION SPEC			RESTRICTED TO	
		WEIGHT	-	SCALE	A2	00779
		CUSTOMER DRAWING			SCALE	1:1
					SHEET	3 OF 3
					REV	A