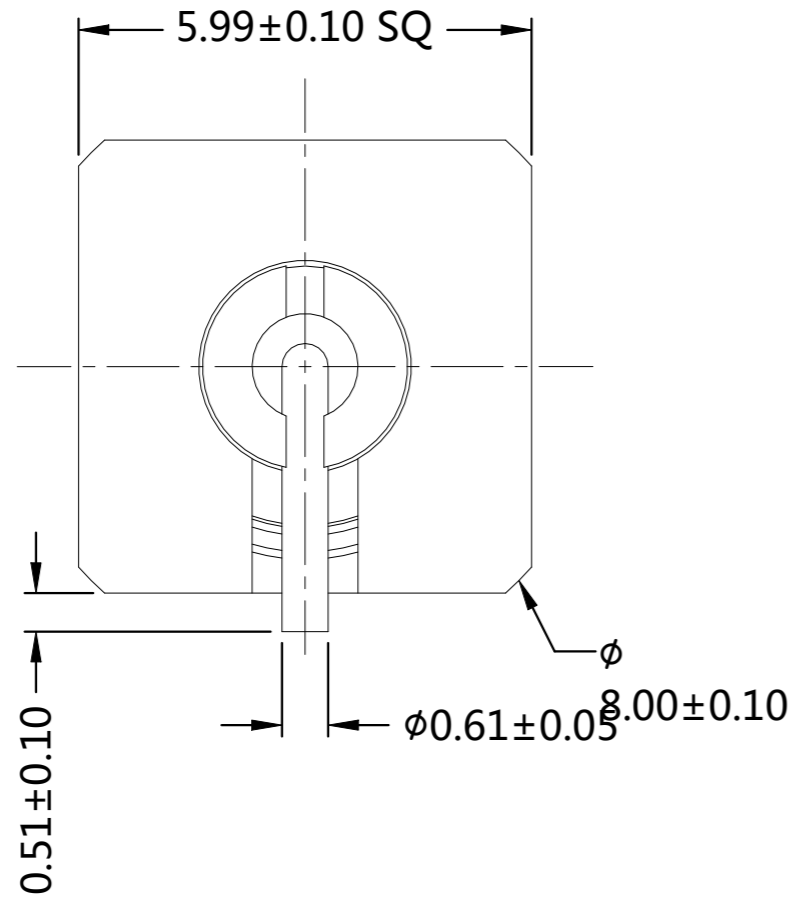
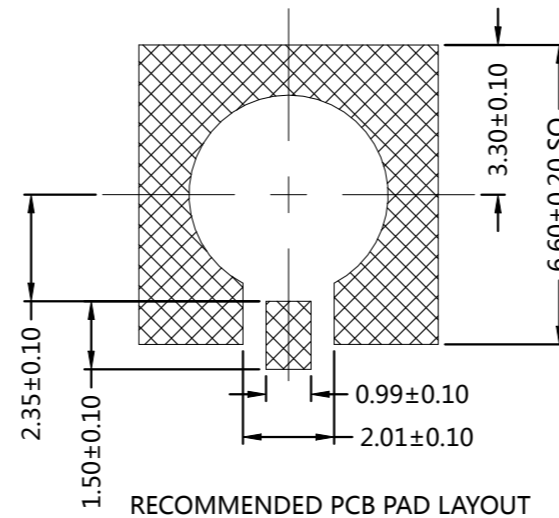
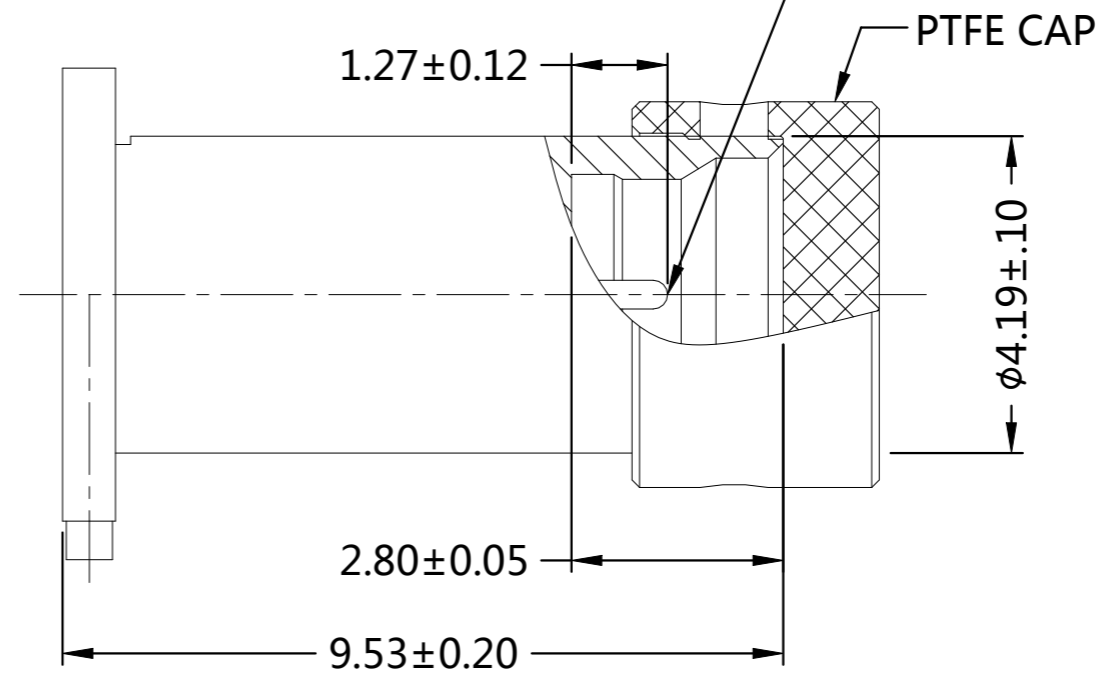


| P | LTR | DESCRIPTION | DATE | DWN | APVD |
|---|-----|---------------------------|-----------|-----|------|
| A | | REVISED PER ECN-22-147532 | 06APR2022 | RZ | WK |



SMP LIMITED DETENT INTERFACE



| QTY | DESCRIPTION | MATERIAL | ITEM |
|-----|----------------|------------------|------|
| 1 | CAP | PTFE | 4 |
| 1 | BODY | Au30u" BRASS | 3 |
| 1 | INSULATION | PEEK | 2 |
| 1 | CENTER CONTACT | Au30u" BeCu | 1 |
| -1 | DESCRIPTION | PLATING MATERIAL | |

QUANTITY PER ASSY

PARTS LIST

| ELECTRICAL | MECHANICAL | ENVIRONMENTAL |
|---|--|--|
| Impedance (Ohm) <u>50</u> | Interface Dimension MIL-STD-348B Fig. <u>326-3</u> | TEMPERATURE RANGE <u>-65°C TO + 165°C</u> |
| Frequency Range (GHz) <u>DC to 18GHz</u> | Force to Engage (lbs) Full Detent 15.0 Max Limited Detent 10.0 Max Smooth Bore 2.0 Max | THERMAL SHOCK <u>MIL-STD-202, METH.107, COND.B</u> |
| Voltage Rating (Peak) <u>175 V RMS</u> @ Sea Level | Force to Disengage (lbs) Full Detent 5.0 Max Limited Detent 2.0 Max Smooth Bore 0.5 Max | CORROSION <u>MIL-STD-202, METH.101, COND.B</u> |
| Insulation Resistance (MIN.) <u>5000 M ohms</u> | Center Contact Captivation Axial (Lbs) <u>1.5</u> Radial (In/Oz) <u>N/A</u> | VIBRATION <u>MIL-STD-202, METH.204, COND.D</u> |
| Contact Resistance (Milliohms MAX) Center Contact <u>6.0</u> Outer Contact <u>2.0</u> | Cable Retention Axial (Lbs) <u>N/A</u> | SHOCK <u>MIL-STD-202, METH.213, COND.I</u> |
| Dielectric Withstand Voltage: <u>500 V RMS Max</u> | Mating cycles <u>500</u> cycles | MOISTURE RESISTANCE <u>MIL-STD-202, METH.106,</u> |
| Insertion Loss : <u>0.1*SQRT(F) dB</u> | | ROHS <u>COMPLIANT</u> |
| VSWR: <u>1.1 max DC ~ 6 GHz</u> <u>1.2 max 6 ~ 12 GHz</u> <u>1.3 max 12 ~ 18 GHz</u> | | |
| RF leakage: <u>N/A</u> | | |

THIS DRAWING IS A CONTROLLED DOCUMENT.

| | | |
|------|---------|-----------|
| DWN | RANDY Z | 16FEB2022 |
| CHK | ERIC D | 16FEB2022 |
| APVD | WENKE H | 16FEB2022 |

NAME: SMP LD PLUG RA FOR PCB MOUNT

| | | | |
|------|-----------|------------|---------------|
| SIZE | CAGE CODE | DRAWING NO | RESTRICTED TO |
| A3 | 00779 | C-2406830 | |

CUSTOMER DRAWING

SCALE: 1:1

SHEET: 1 OF 1

REV: A