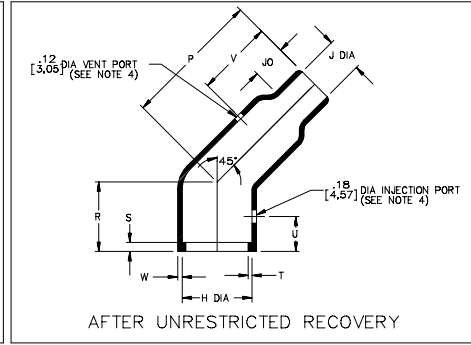
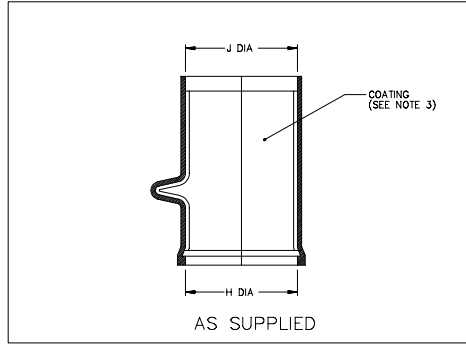


# Thermofit Molded Parts Specification Control Drawing

Part Number : 242A312 & 322  
Description : Boot, 45°, With Lip

## NOTES

- All dimensions are in  $\frac{\text{inches}}{\text{millimeters}}$
- Dimensions appearing in table are as follows:
  - a - As Supplied
  - b - After Unrestricted Recovery
- Coating is optional. As supplied dimensions appearing in table are for uncoated parts. When coating is added, entry diameters will be reduced by .06 max.
- Molding parts are optional. When -00 modification number is specified molding parts will be reduced as shown.
- For corresponding adapter see drawing number 202C221 thru 302.



PART NUMBER	H		J		P ±10%	R ±10%	S ±10%	T ±10%	U Ref	V Ref	JO ±10%	W ±20%	This Boot Fits Convalex Tubing
	Min a	Max b	Min a	Max b									
242A312	1.00 [25,4]	.70 [17,8]	1.00 [25,4]	.37 [9,4]	1.62 [41,1]	1.00 [25,4]	.12 [3,05]	.05 [1,27]	.47 [11,9]	1.03 [26,2]	.42 [10,7]	.06 [1,52]	3/8" thru 1/2"
242A322	1.50 [38,1]	.95 [24,1]	1.50 [38,1]	.49 [12,4]	1.75 [44,5]	1.00 [25,4]	.12 [3,05]	.05 [1,27]	.47 [11,9]	1.03 [26,2]	.42 [10,7]	.06 [1,52]	1/2 thru 1"

## Raychem

RAYCHEM CORPORATION  
300 CONSTITUTION DRIVE  
MENLO PARK, CALIFORNIA 94025

Revision : D  
Date : 9/22/99

Part Number : 242A312 & 322  
Description : Boot, 45°, With Lip

# Thermofit Molded Parts Specification Control Drawing

Part Number : 242A312 & 322  
Description : Boot, 45°, With Lip

MATERIAL DASH NO.	MATERIAL DESCRIPTION	RT SPEC	COATING SLASH NO.	COATING S NO.	COATING DESCRIPTION
-3	Polyolefin, Semi-rigid	RT-301	/42;/86	S-1017;S-1048	Adhesive
-4	Polyolefin, Flexible	RT-1304	/42;/86	S-1017;S-1048	Adhesive
-12	*VITON, Flexible	RT-1312	N/A		
-25	Elastomer, Fluid Resistant	RT-1325	/86	S-1048	Adhesive

\*VITON is a Registered Trademark of Dupont

## ORDERING INFORMATION

242A3XX -XX -XX /XXX

Base part number \_\_\_\_\_

Material dash number \_\_\_\_\_  
(See Compatibility Chart)

Modification number \_\_\_\_\_  
(If necessary, see front of scd binder for a complete list)

Adhesive slash number \_\_\_\_\_  
(If necessary, see Compatibility Chart)

THIS DRAWING IS SUBJECT TO CHANGE WITHOUT NOTICE; CONSULT YOUR NEAREST FIELD REPRESENTATIVE FOR CURRENT REVISION

## Raychem

RAYCHEM CORPORATION  
300 CONSTITUTION DRIVE  
MENLO PARK, CALIFORNIA 94025

Revision : E  
Date : 9/22/99

Part Number : 242A312 & 322  
Description : Boot, 45°, With Lip

CAD FILE MP99172

If this document is printed it becomes uncontrolled.  
Check for the latest revision.