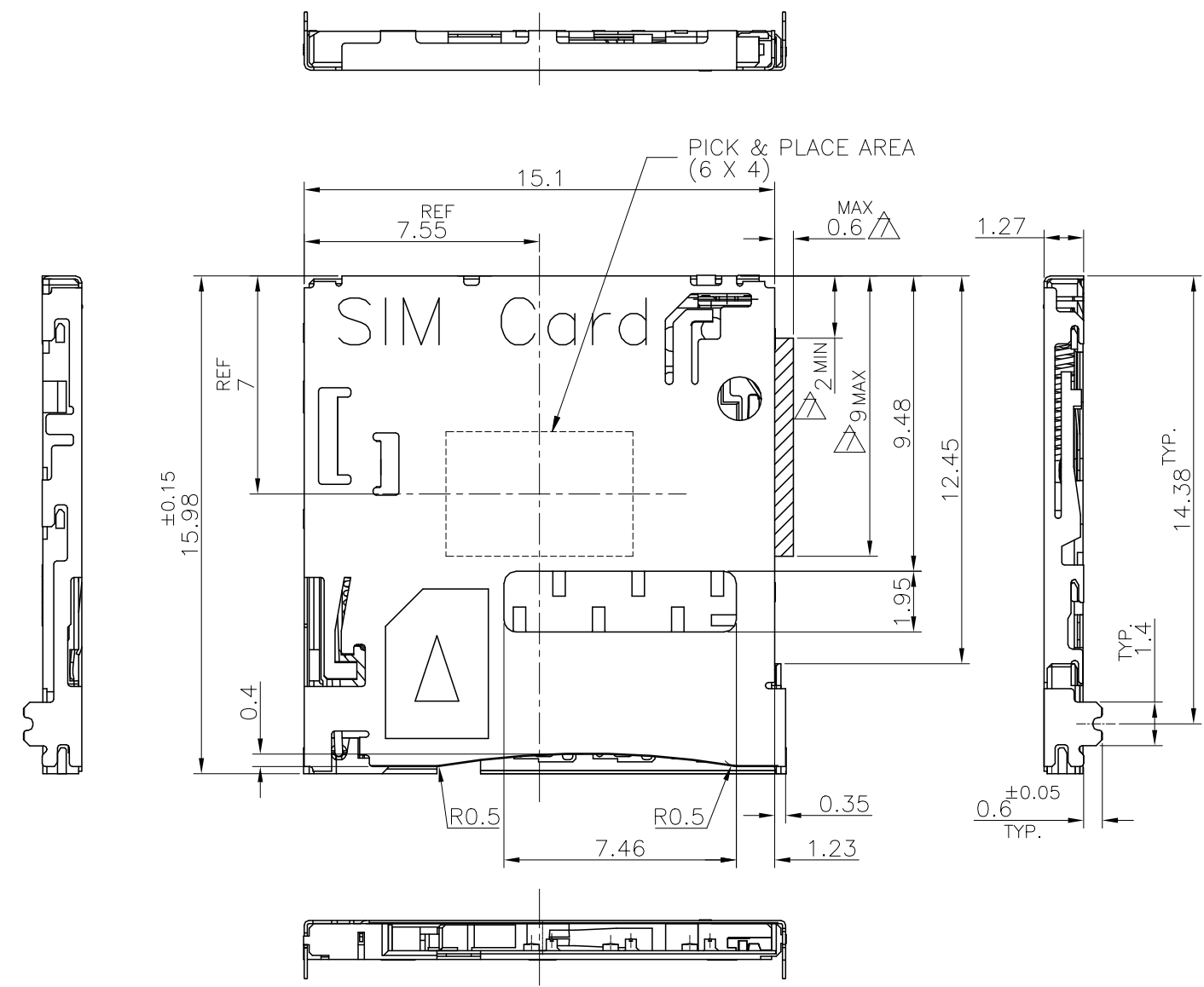


| REVISIONS |     |             |           |         |
|-----------|-----|-------------|-----------|---------|
| P         | LTR | DESCRIPTION | DATE      | APVD    |
|           | B3  | REVISED     | 09DEC2022 | M.T H.T |

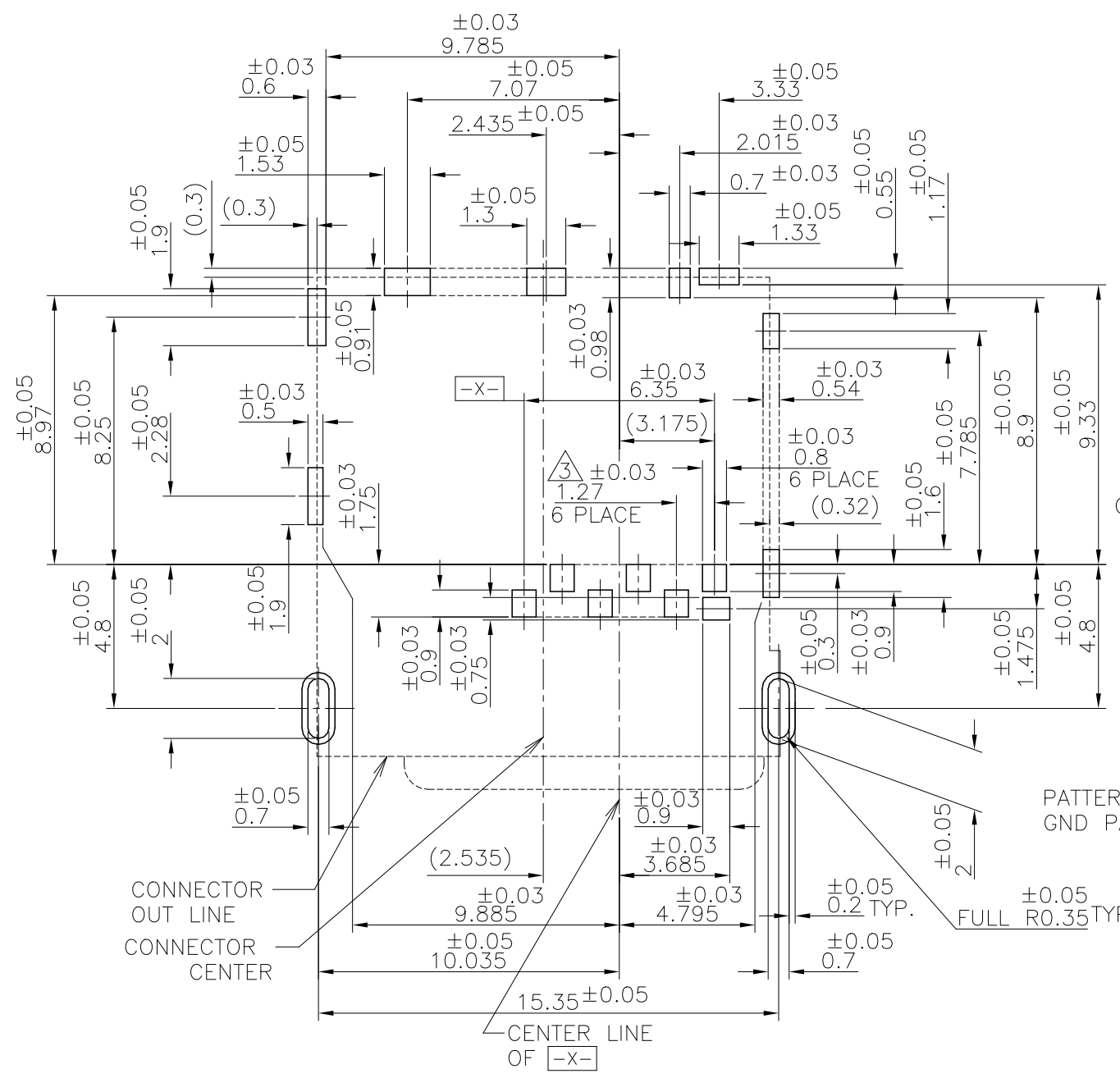


- 1.MATERIAL HOUSING,SLIDER : THERMOPLASTIC RESIN  
UL94V-0, COLOR;BLACK  
CONTACT : COPPER ALLOY  
SHELL : STAINLESS STEEL  
COIL : SWP  
CAM ROD : STAINLESS STEEL
- △ FINISH CONTACT : Au PL AT CONTACT AREA  
Au PL AT SOLDERING AREA  
SHELL : Au PL AT SOLDERING AND SWITCH AREA
- △ NON-CUMULATIVE TOLERANCE
- 4. COPLANARITY IS 0.1MAX.
- △ CIRCUIT DRAWING OF SWITCH.
- 6. OVERALL TOLERANCE:±0.1
- △ SWITCH MOVING AREA.

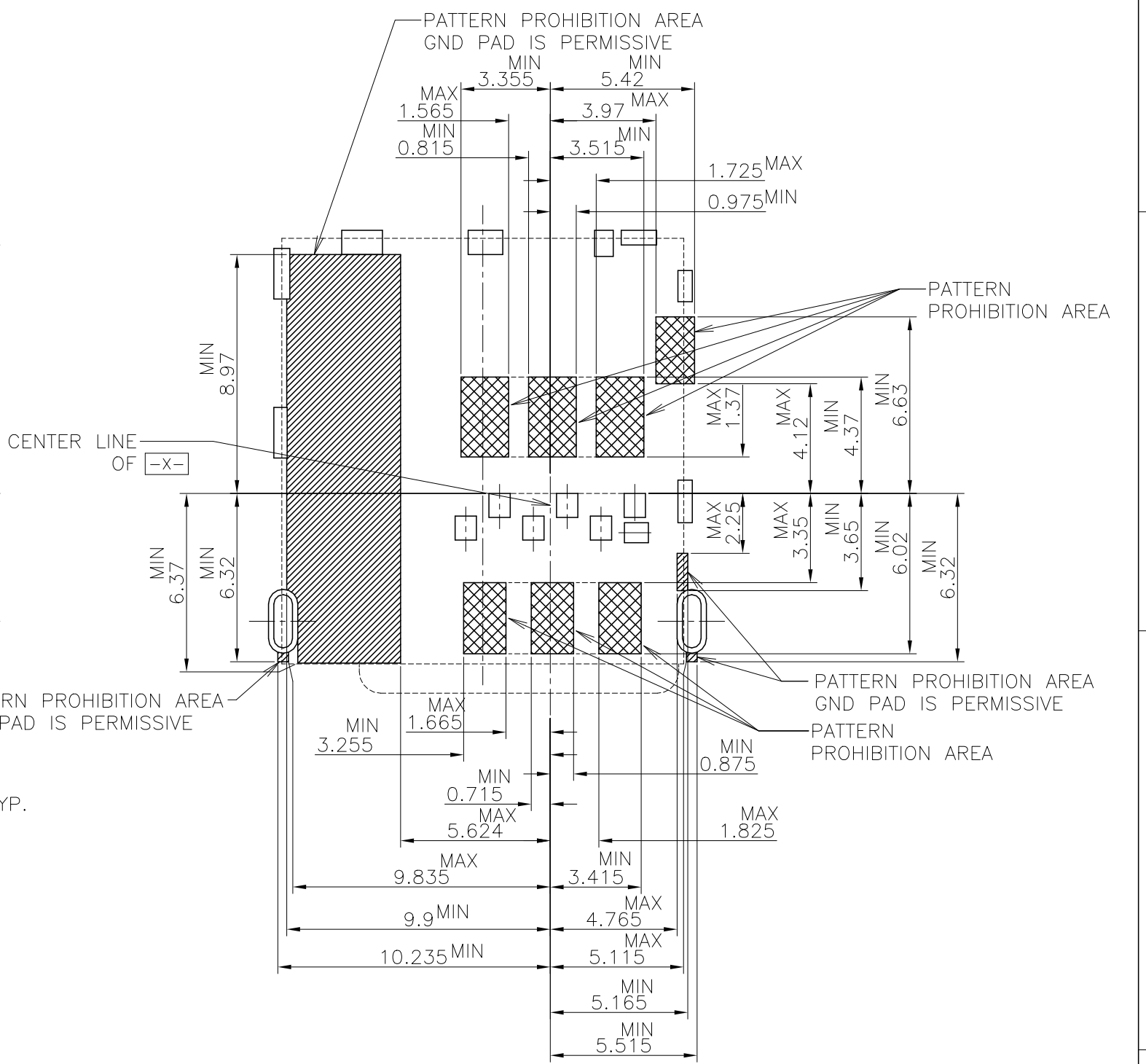
|        |             |
|--------|-------------|
| △      | 2822541-1   |
| FINISH | PART NUMBER |

|  |  |   |             |           |                          |   |            |               |
|--|--|---|-------------|-----------|--------------------------|---|------------|---------------|
| THIS DRAWING IS A CONTROLLED DOCUMENT. |  | DWN   | J.TSUJI     | 23JUN2014 | <br>TE Connectivity Ltd. |   |            |               |
|  |  | CHK   | K.KOBAYASHI | 23JUN2014 |                          |   |            |               |
|  |  | APVD  | K.KOBAYASHI | 23JUN2014 |                          |   |            |               |
|  |  | PRODUCT SPEC  | 108-140068  |           |                          |   |            |               |
|  |  | APPLICATION SPEC  |             |           | NAME                     | MICRO SIM CONNECTOR<br>PUSH-PUSH DIP TYPE |            |               |
| DIMENSIONS:<br>mm                      |  | TOLERANCES UNLESS OTHERWISE SPECIFIED:                                      |             | SIZE      |                          | CAGE CODE                                 | DRAWING NO | RESTRICTED TO |
|  |  | 0 PLC ± -<br>1 PLC ± -<br>2 PLC ± -<br>3 PLC ± -<br>4 PLC ± -<br>ANGLES ± 1 |             | A3        |                          | 00779                                     | C=2822541  |               |
| MATERIAL                               |  | FINISH  |             | WEIGHT    |                          | SCALE                                     |            | SHEET         |
|  |  |   |             | -         |                          | 5:1                                       |            | 1 of 5        |
| CUSTOMER DRAWING                       |  |   |             | REV       |                          | B3  |            |               |

| REVISIONS |     |             |      |      |
|-----------|-----|-------------|------|------|
| P         | LTR | DESCRIPTION | DATE | APVD |
| -         | -   | SEE SHEET 1 | -    | -    |



PCB LAYOUT(REFERENCE)  
(VIEWED FROM CONNECTOR MOUNT SIDE)



|  |  |   |           |               |
|--|--|---|-----------|---------------|
| THIS DRAWING IS A CONTROLLED DOCUMENT. |  | DWN                                       | -         |               |
| DIMENSIONS:<br>mm                      |  | CHK                                       | -         |               |
| TOLERANCES UNLESS OTHERWISE SPECIFIED: |  | APVD                                      | -         |               |
| 0 PLC ± -                              |  | PRODUCT SPEC                              | -         |               |
| 1 PLC ± -                              |  | APPLICATION SPEC                          | -         |               |
| 2 PLC ± -                              |  | WEIGHT                                    | -         |               |
| 3 PLC ± -                              |  | NAME                                      |           |               |
| 4 PLC ± -                              |  | MICRO SIM CONNECTOR<br>PUSH-PUSH DIP TYPE |           |               |
| ANGLES ± -                             |  | SIZE                                      | CAGE CODE | DRAWING NO    |
| FINISH ± -                             |  | A3  | 00779     | C=2822541     |
| MATERIAL                               |  | CUSTOMER DRAWING                          |           | RESTRICTED TO |
|  |  | SCALE                                     | SHEET     | REV           |
|  |  | 5:1                                       | 2 of 5    | B3            |

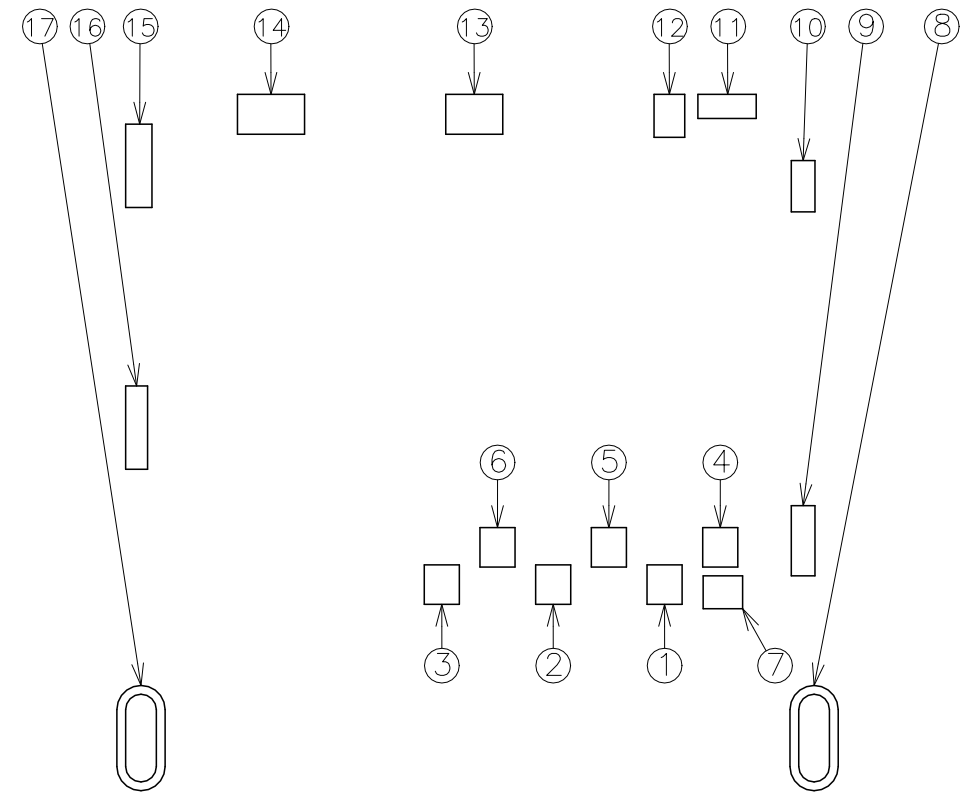
| REVISIONS |     |             |      |     |      |
|-----------|-----|-------------|------|-----|------|
| P         | LTR | DESCRIPTION | DATE | DWN | APVD |
|           | -   | SEE SHEET 1 | -    | -   | -    |

Connector Pin Assignment

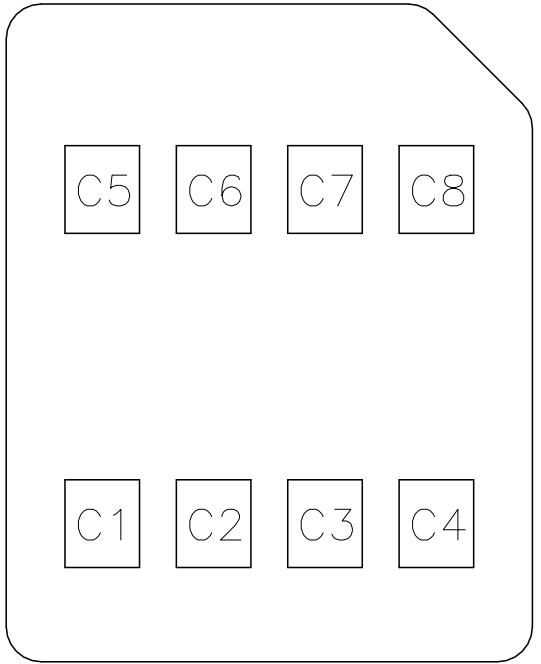
| No. | Pin Name | Description      |
|-----|----------|------------------|
| ①   | C1       | Vcc of SIM       |
| ②   | C2       | RST of SIM       |
| ③   | C3       | CLK of SIM       |
| ④   | C5       | GND of SIM       |
| ⑤   | C6       | Vpp of SIM       |
| ⑥   | C7       | I/O of SIM       |
| ⑦   | SW       | Detection Switch |
| ⑧~⑰ | GND      | Shell Ground     |

SIM Card Pin Assignment

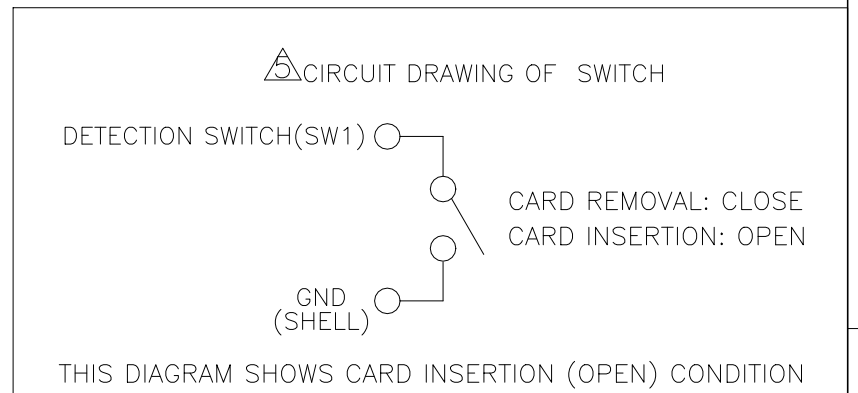
| Pin No. | Name     |
|---------|----------|
| C1      | Vcc      |
| C2      | RST      |
| C3      | CLK      |
| C4      | Reserved |
| C5      | GND      |
| C6      | Vpp      |
| C7      | I/O      |
| C8      | Reserved |



PCB LAYOUT(REFERENCE)  
(VIEWED FROM CONNECTOR MOUNT SIDE)



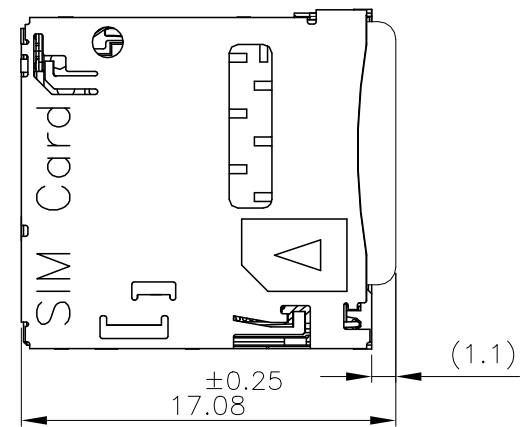
SIM CARD PAD LAYOUT



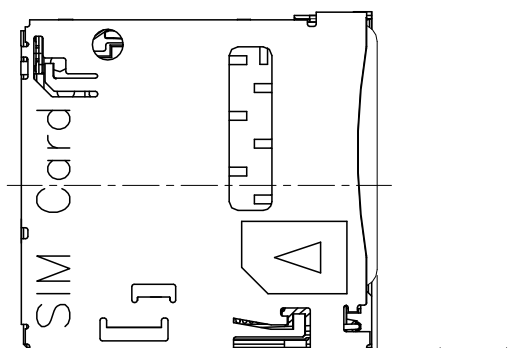
|  |        |                  |   |           |            |
|--|--------|------------------|---|-----------|------------|
| THIS DRAWING IS A CONTROLLED DOCUMENT. |        | DWN              | TE Connectivity Ltd.                      |           |            |
| DIMENSIONS:<br>mm                      |        | CHK              | NAME                                      |           |            |
|  |        | APVD             | MICRO SIM CONNECTOR<br>PUSH-PUSH DIP TYPE |           |            |
| TOLERANCES UNLESS OTHERWISE SPECIFIED: |        | PRODUCT SPEC     | SIZE                                      | CAGE CODE | DRAWING NO |
| 0 PLC                                  | ± -    | APPLICATION SPEC | A3  | 00779     | C=2822541  |
| 1 PLC                                  | ± -    | WEIGHT           | RESTRICTED TO                             |           |            |
| 2 PLC                                  | ± -    | CUSTOMER DRAWING | SCALE                                     | SHEET     | REV        |
| 3 PLC                                  | ± -    |                  | NTS                                       | 3 of 5    | B3         |
| 4 PLC                                  | ± -    |                  |   |           |            |
| ANGLES                                 | ± -    |                  |   |           |            |
| MATERIAL                               | FINISH |                  |   |           |            |

| REVISIONS |     |             |      |     |      |
|-----------|-----|-------------|------|-----|------|
| P         | LTR | DESCRIPTION | DATE | DWN | APVD |
|           | -   | SEE SHEET 1 | -    | -   | -    |

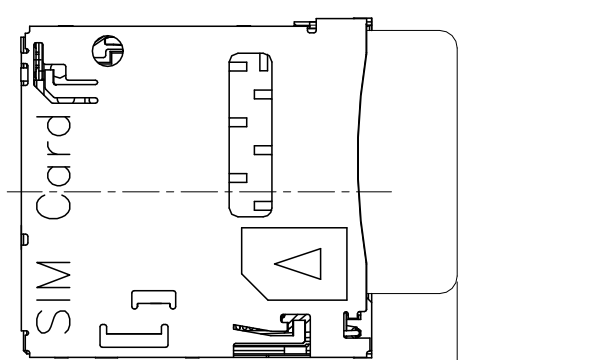
THERE IS NO MICRO SIM CARD LOCK IN THIS CONNECTOR. CARD STOPPER AS SHOWN BELOW MUST BE NECESSARY.



MATING

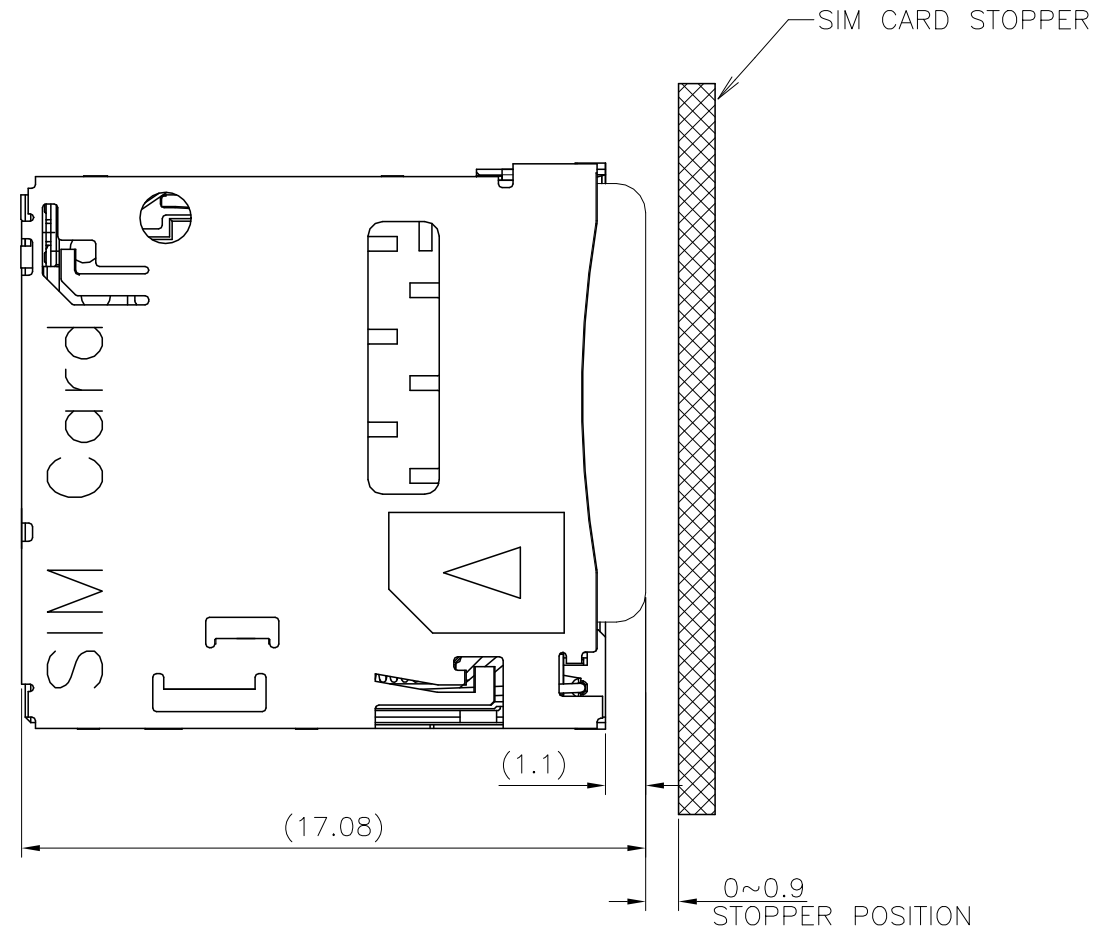


PUSH



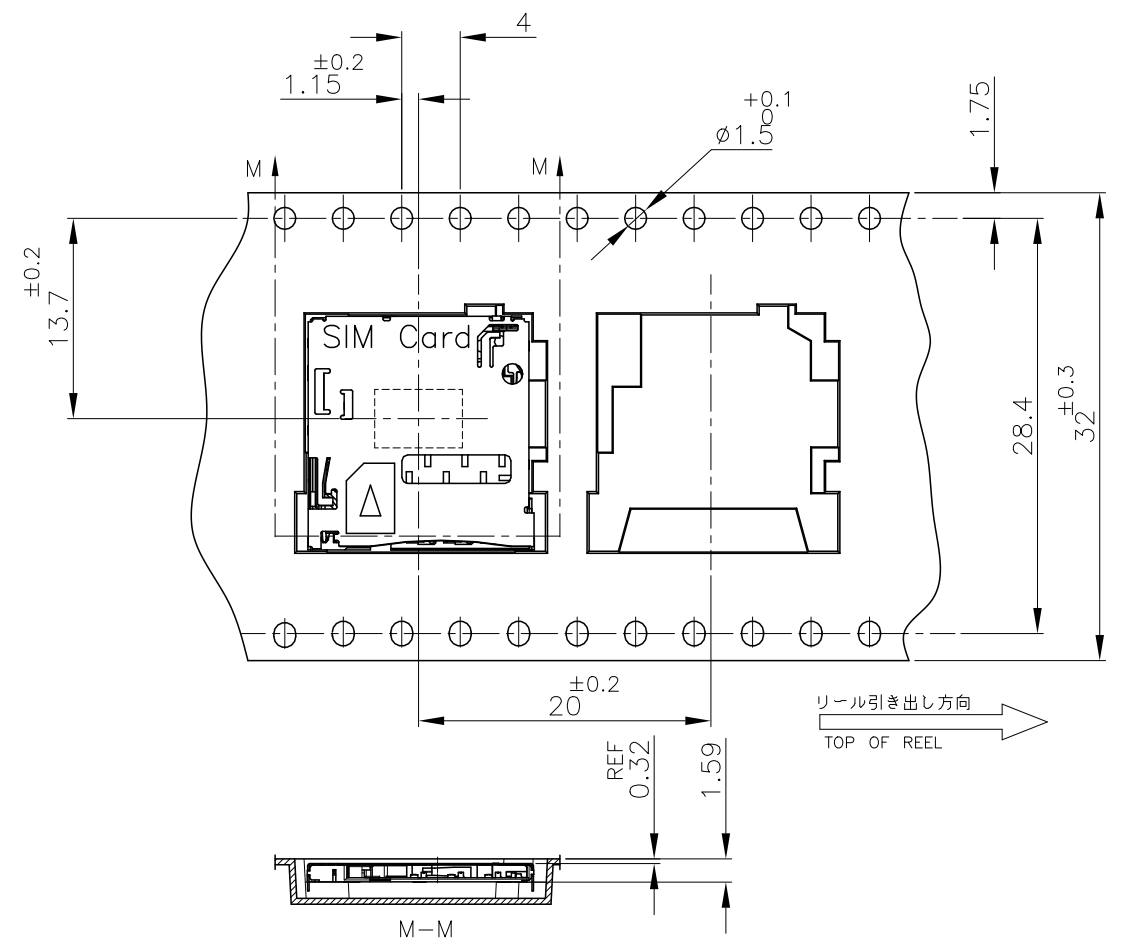
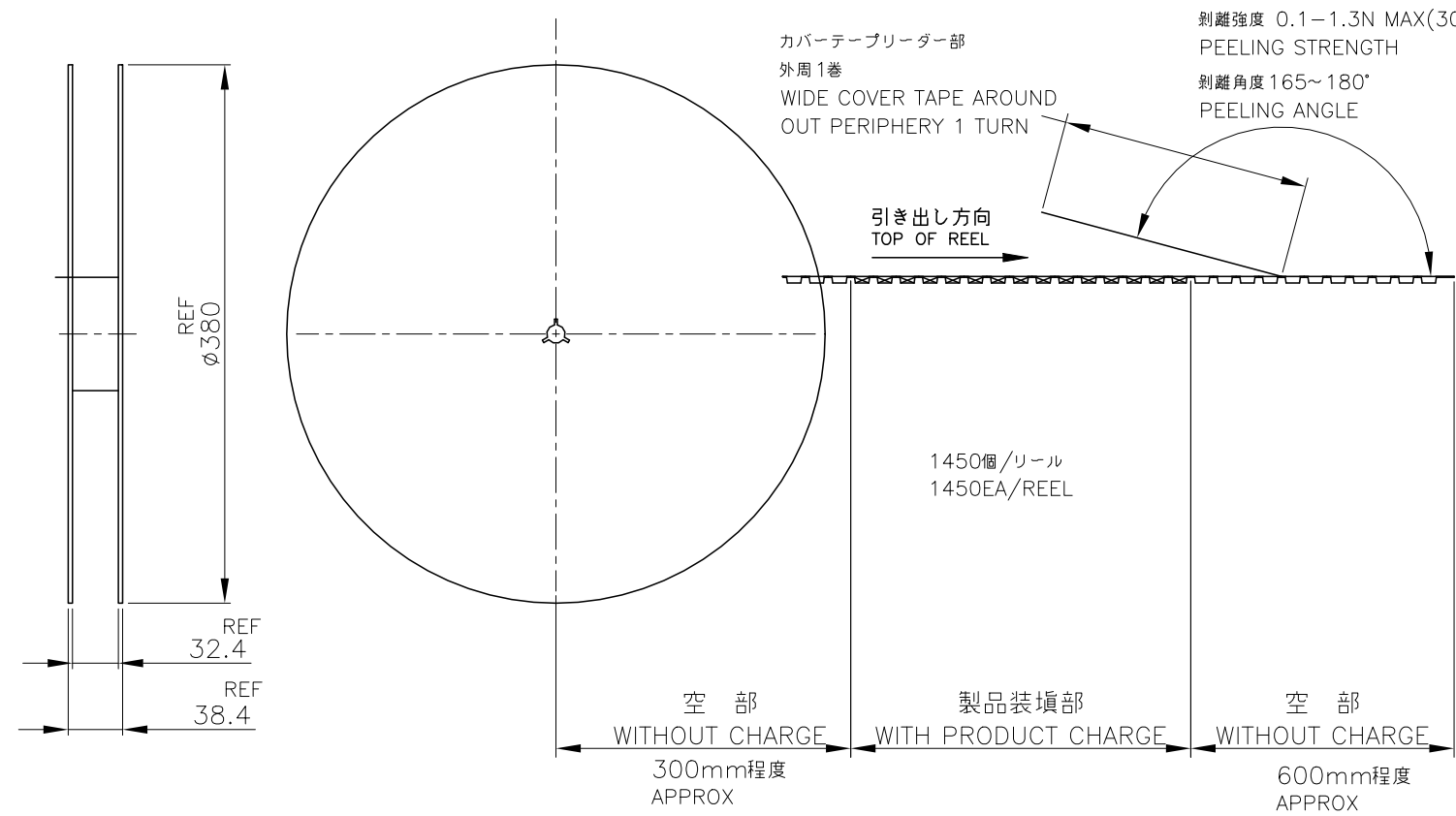
EJECT

SCALE 3:1



|   |  |                  |   |           |            |               |
|---|--|------------------|---|-----------|------------|---------------|
| THIS DRAWING IS A CONTROLLED DOCUMENT.  |  | DWN              | TE Connectivity Ltd.                      |           |            |               |
| DIMENSIONS: mm  |  | CHK              |   |           |            |               |
|   |  | APVD             | NAME                                      |           |            |               |
| TOLERANCES UNLESS OTHERWISE SPECIFIED:<br>0 PLC ± -<br>1 PLC ± -<br>2 PLC ± -<br>3 PLC ± -<br>4 PLC ± -<br>ANGLES ± - |  | PRODUCT SPEC     | MICRO SIM CONNECTOR<br>PUSH-PUSH DIP TYPE |           |            |               |
| MATERIAL  |  | APPLICATION SPEC | SIZE                                      | CAGE CODE | DRAWING NO | RESTRICTED TO |
| FINISH  |  | WEIGHT           | A3  | 00779     | C=2822541  |               |
| CUSTOMER DRAWING  |  |                  | SCALE                                     | SHEET     | REV        |               |
|   |  |                  | 5:1                                       | 4 of 5    | B3         |               |

| REVISIONS |     |             |      |      |
|-----------|-----|-------------|------|------|
| P         | LTR | DESCRIPTION | DATE | APVD |
| -         | -   | SEE SHEET 1 | -    | -    |



|  |  |                  |   |  |   |
|--|--|------------------|---|--|---|
| THIS DRAWING IS A CONTROLLED DOCUMENT. |  | DWN              | - |  | <b>STE</b> TE Connectivity Ltd.                   |
| DIMENSIONS:<br>mm                      |  | CHK              | - |  |   |
| TOLERANCES UNLESS OTHERWISE SPECIFIED: |  | APVD             | - |  | NAME<br>MICRO SIM CONNECTOR<br>PUSH-PUSH DIP TYPE |
| 0 PLC ± -                              |  | PRODUCT SPEC     | - |  |   |
| 1 PLC ± -                              |  | APPLICATION SPEC | - |  | SIZE<br>A3  |
| 2 PLC ± -                              |  | WEIGHT           | - |  |   |
| 3 PLC ± -                              |  | CUSTOMER DRAWING |   |  | CAGE CODE<br>00779                                |
| 4 PLC ± -                              |  | SCALE<br>NTS     |   |  | DRAWING NO<br>C=2822541                           |
| ANGLES ± -                             |  | SHEET<br>5 of 5  |   |  | RESTRICTED TO                                     |
| FINISH                                 |  | REV<br>B3        |   |  |   |