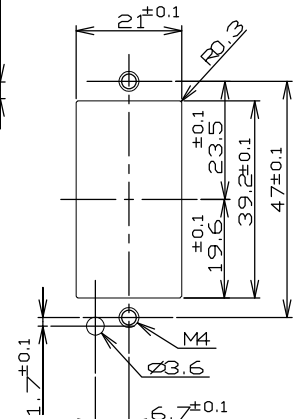
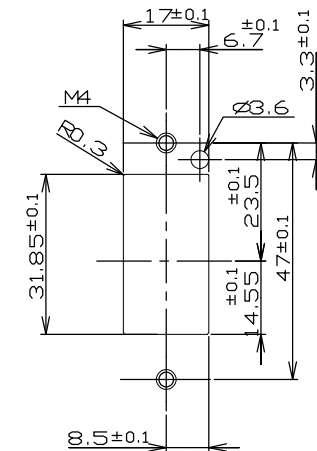
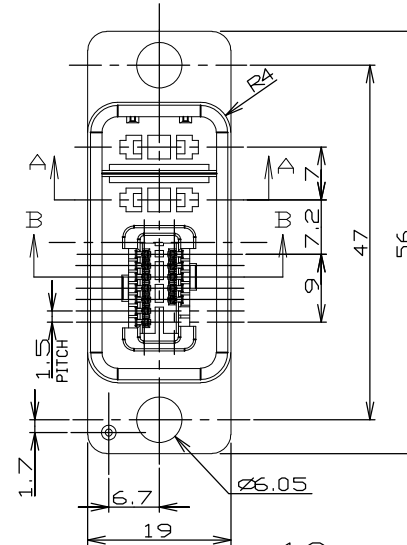
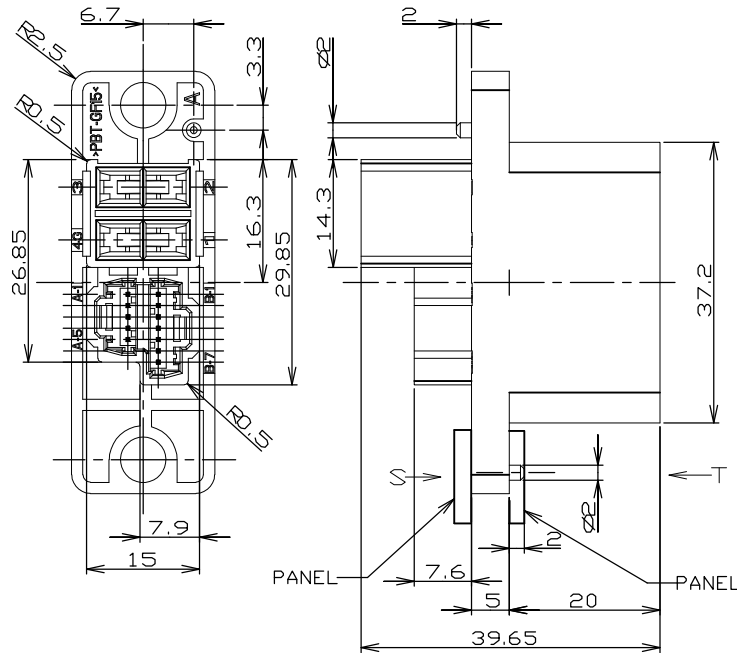
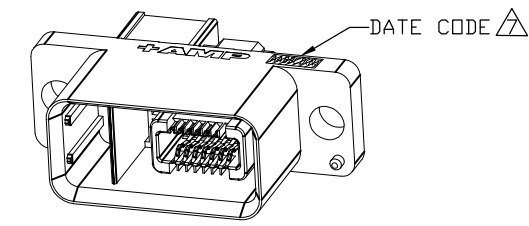
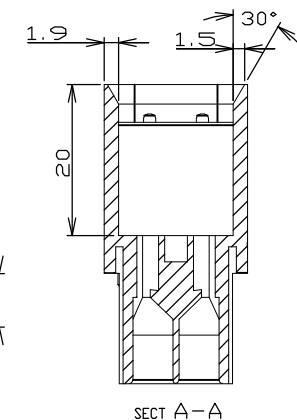
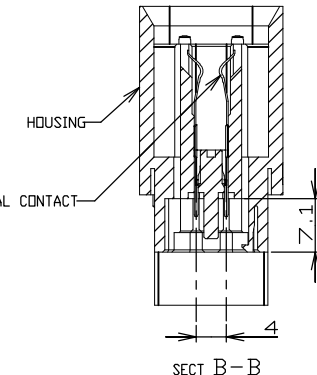


P	LTR	DESCRIPTION	DATE	DWN	APVD
C1		REVISED ECR-07-028230	26NOV07	A.L	S.Y



PANEL CUT DIMENSIONS (CONNECTOR MATING SIDE)



SCALE 6:5

NOTES:
 ① USE WITH M.T. REC. CONN P/N: X-353293-X
 CRIMP HSG P/N: X-353908-X
 CRIMP CNT P/N: 353907-1
 353918-1(L/P)

2. APPLICABLE POWER CONTACT P/N

FINISH	AWG	STRIP	LOOSE PIECE
GOLD	#16-20	179321-3	
PLT	#20-24	179322-3	
TIN	#16-20	179321-2	
PLT	#20-24	179322-2	

△ MATERIAL:
 HOUSING: PBT GF. UL94V-0 COLOR: BLACK
 SIGNAL CONTACT: PHOSPHOR BRONZE
 △ FINISH:
 CONTACT: NICKEL UNDERPLATE ALL OVER
 CONTACT AREA: GOLD PLATE.
 POST AREA: MATTE TIN PLATE.
 △ P: NUMBER OF POWER CONTACT (UNASSEMBLED)
 S: NUMBER OF SIGNAL CONTACT (ASSEMBLED)
 M: MATING COUNTER P/N: N1-292240-2
 △ LOCATION OF DATE CODE (PRINTED BY HOT-BAR): AABBCD(N)
 (AA: YEAR, BB: WEEK, C: DAY OF WEEK, D: DAYTIME, N: NIGHT)

TOLERANCES UNLESS OTHERWISE SPECIFIED:

10 >	: ±0.2
30 > * > 10	: ±0.25
100 > * > 30	: ±0.3
ANGLE	: ±3°

THIS DRAWING IS A CONTROLLED DOCUMENT FOR TYCO ELECTRONICS CORPORATION IT IS SUBJECT TO CHANGE AND THE CONTROLLING ENGINEERING ORGANIZATION SHOULD BE CONTACTED FOR THE LATEST REVISION.		DWN S.XU 31JAN03	Tyco Electronics Tyco Electronics Corporation Shanghai, PRC	
DIMENSIONS: M/M		CHK S.YAO 31JAN03	APVD T.SASAKI 31JAN03	
TOLERANCES UNLESS OTHERWISE SPECIFIED: 0 PLC ± 1 PLC ± 2 PLC ± 3 PLC ± 4 PLC ± ANGLES ±		NAME I.TASAKI	PRODUCT SPEC	
MATERIAL SEE NOTE △		APPLICATION SPEC 108-60027	PLUG ASS'Y for 1.5mm PITCH MINI CT HYBRID DRAWER CONNECTOR	
FINISH SEE NOTE △		WEIGHT 114-5182	SIZE A3	RESTRICTED TO
		CUSTOMER DRAWING	CAGE CODE 00779	DRAWING NO C-292239
			SCALE NON	SHEET 1 OF 1 REV C1