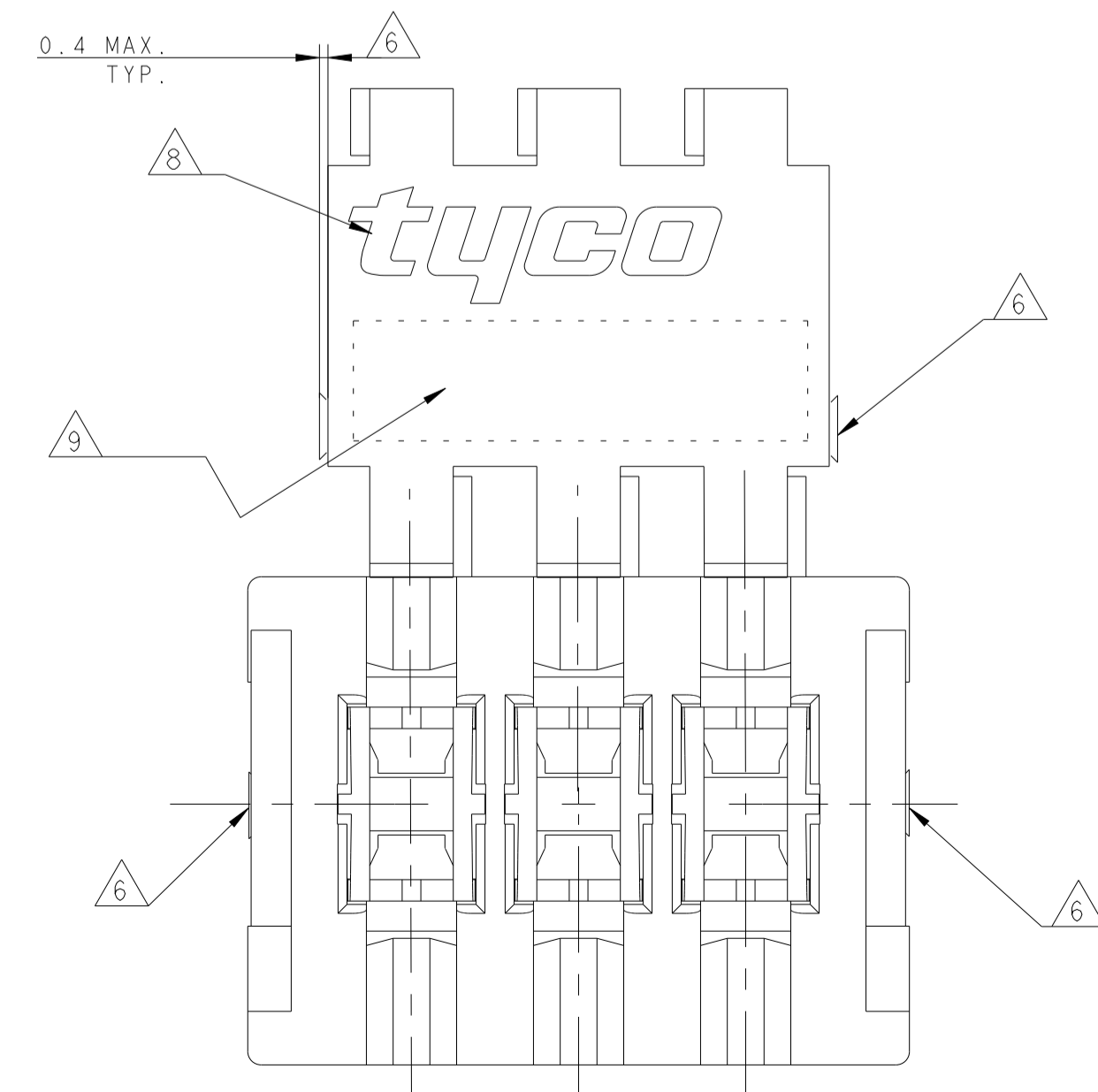
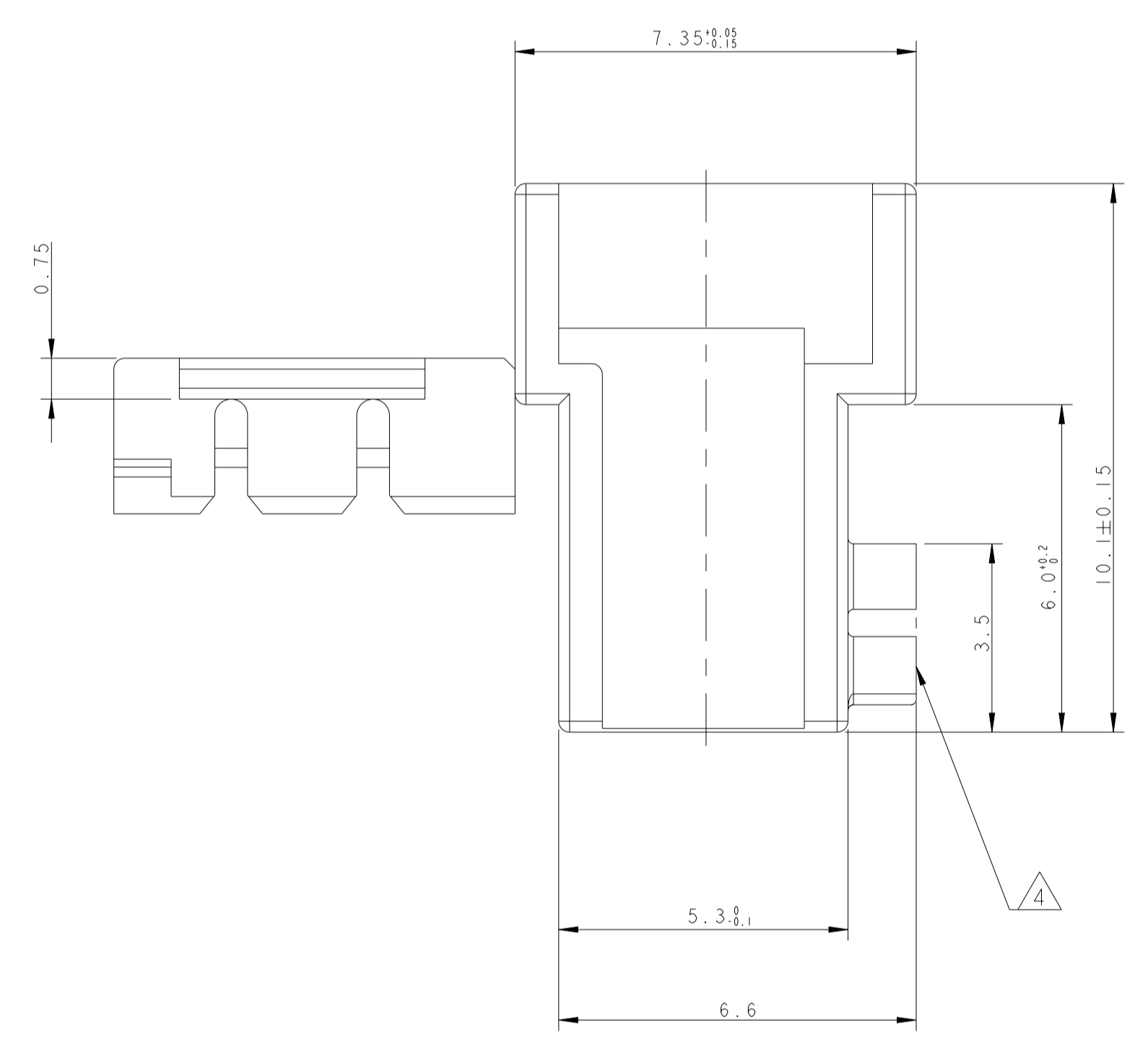
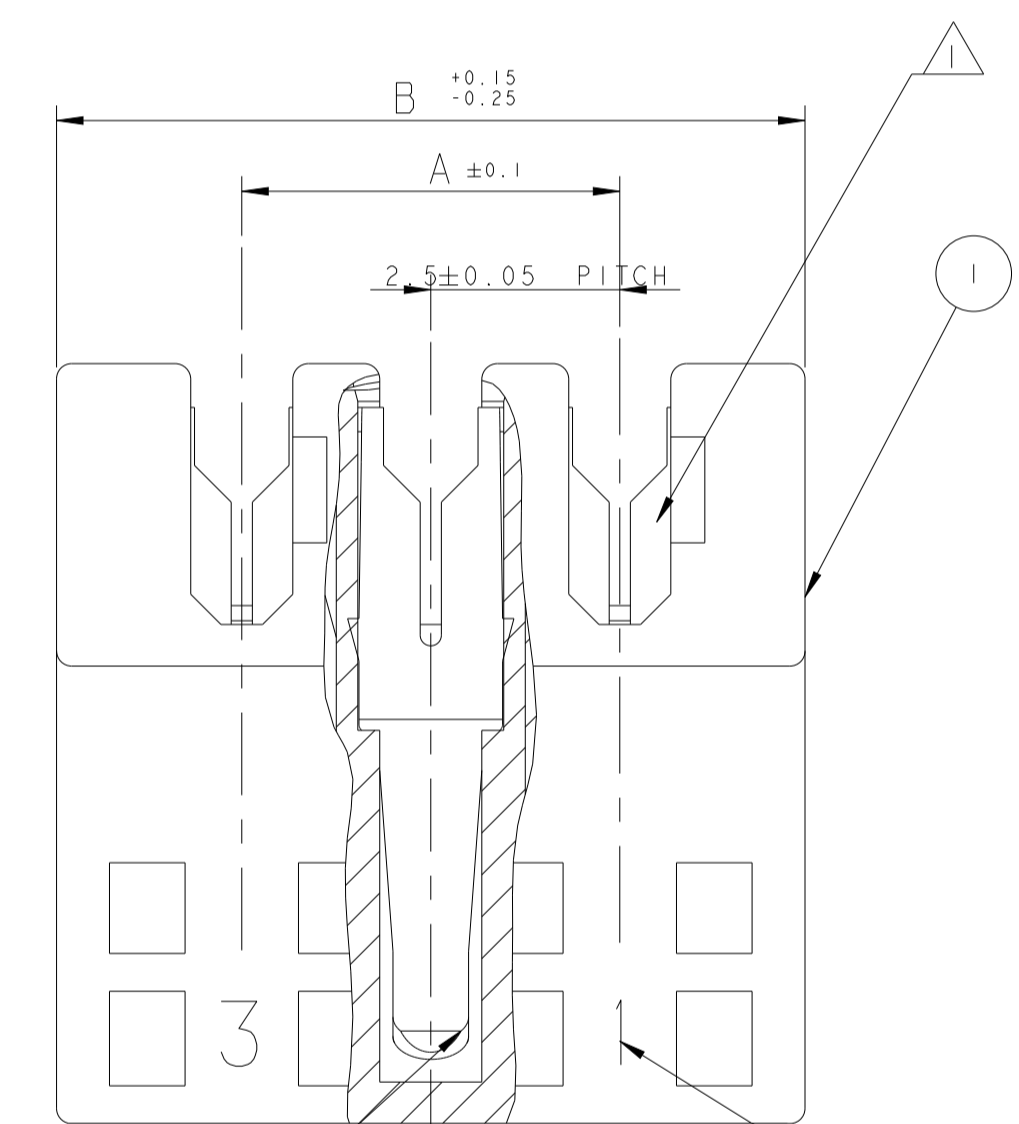
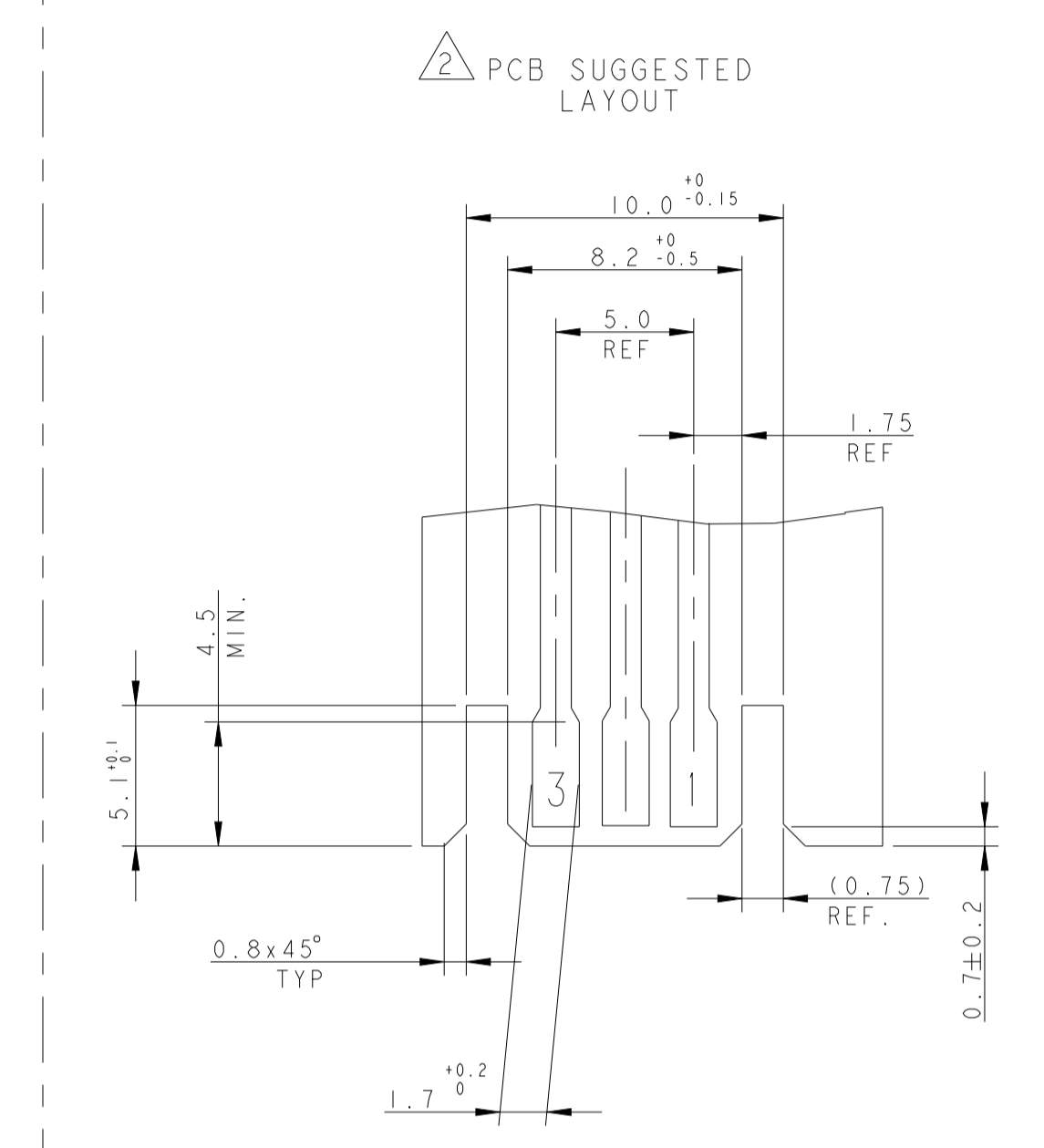
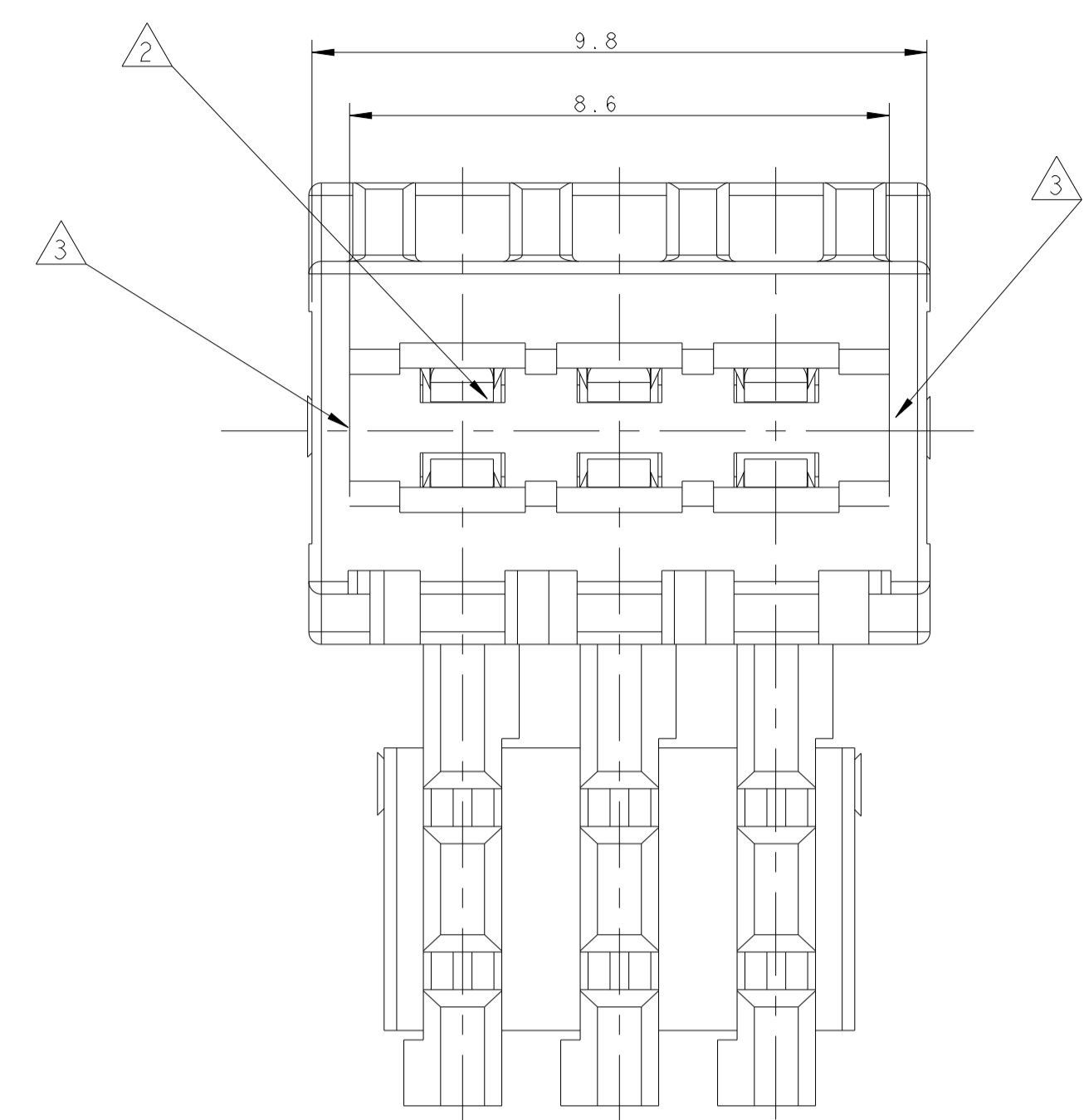
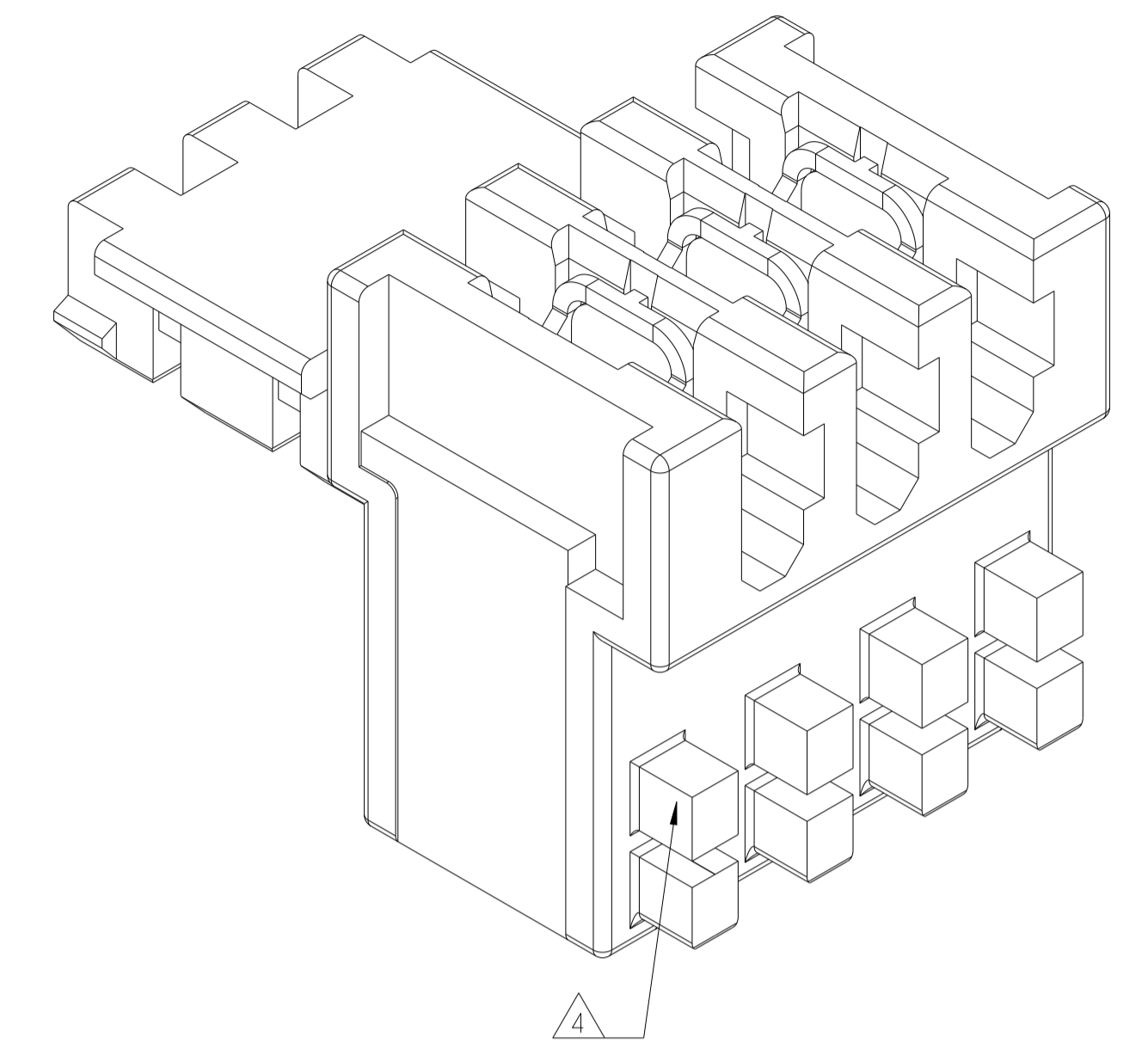


REVISIONS					
P	LTN	DESCRIPTION	DATE	DWN	APVD
B3	ECR-17-009651		19JUL2017	RS	DC
C	ECR-19-015552		11NOV2019	KD	FL
D	ECR-22-1135817		15APR2022	DC	FL
D1	ECR-22-162225		30JAN2023	DC	FL

3D VIEW FOR REFERENCE



- 1 WIRE RANGE : STRANDED 0.22-0.35 mm (INS. DIA. 1.30±0.1)
- 2 MATING PART: SPECIAL APPLICATION ON CUSTOMER P.C.B., SINGLE OR DOUBLE SIDE, THK 1.5 (COPPER CLADDING INCLUDED), SEE ALSO DETAIL FOR PCB LAYOUT
- 3 EXTERNAL WALL ON BOTH SIDES
- 4 KEYING RIBS TO BE REMOVED BY TERMINATION MACHINE
- 6 CUT OFF DIMENSION DUE TO PRODUCTION PROCESS
- 7 CIRCUIT No. IDENTIFICATION
- 8 TYCO ELECTRONICS TRADEMARK (OPTIONAL POSITION)
- 9 TAMPOGRAPHIC COLOUR CODE AREA (P/Ns IDENTIFICATION BEFORE CRIMPING AREA)
- 10 FOR THIS SPECIAL APPLICATION THE ENGAGING END SEPARATING FORCE LIMITS REPORTED ON RELEVANT SPEC. ARE NOT APPLICABLE.
- 11 NOT YET RELEASED FOR PRODUCTION
- 12 PBT GF
- 13 PA GF, UL94-V0 & GWEPT 750 NO-FLAME, NATURAL
- 14 ALTERNATIVE RESIN PBT GF

**SUITABLE FOR SEMI-AUTOMATIC HARNESS PROCESS ONLY**

P/N 0-293132-3 AS SHOWN

ORANGE	3	5.0	9.9	0-293132-3	2311500-3	2404973-3
COLOUR CODE	HSG POS	DIM. A	DIM. B	TE P/N	TE P/N	TE P/N

Q.TY	MATERIAL	DESCRIPTION	ITEM
SEE TABLE	PH. BRONZE, TIN PLATED	IDC RECEPTACLE CONTACT	2
	PBT GLASS FIBER FILLED	FEMALE HOUSING	1

THIS DRAWING IS A CONTROLLED DOCUMENT. DWN: C. CORDOLA 03 OCT 06

TE Connectivity

NAME: DUOPLUG 2.5 FEM. CONN. WITH EXT. WALLS (CTC. FULLY LOADED)

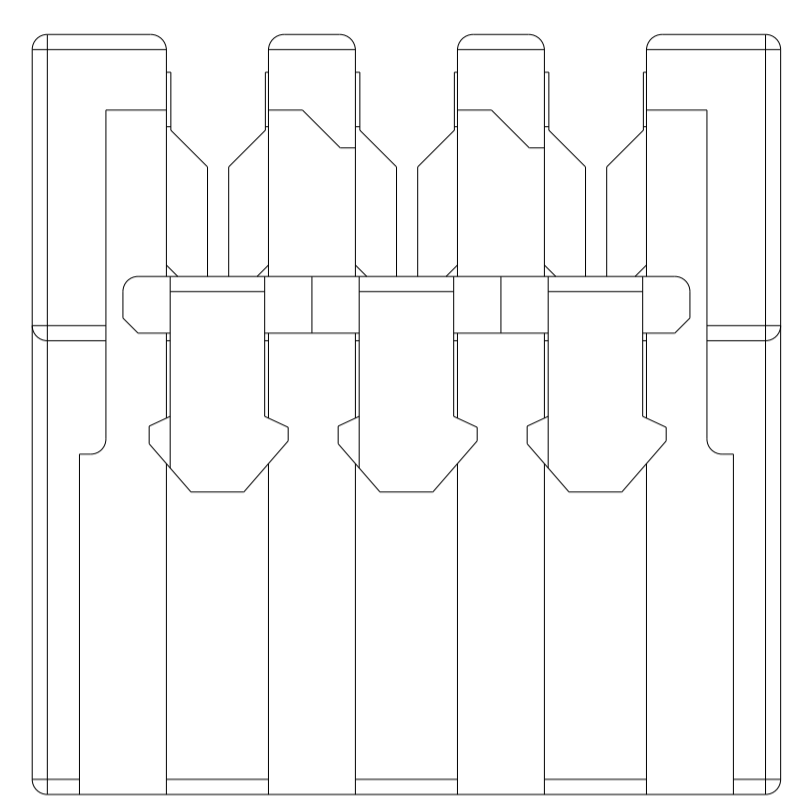
PRODUCT SPEC: 108-18056

APPLICATION SPEC: 114-18049-1

SCALE: 10:1 SHEET 1 OF 2 REV D1

THIS DRAWING IS UNPUBLISHED. RELEASED FOR PUBLICATION 20  
 © COPYRIGHT 20 BY - ALL RIGHTS RESERVED.

REVISIONS				
P	LTN	DESCRIPTION	DATE	APVD
		SEE SHEET 1		



THIS DRAWING IS A CONTROLLED DOCUMENT.		DWN C. CORDOLA	03 OCT 06	 TE Connectivity	
DIMENSIONS:		CHK -	APVD -		
mm	TOLERANCES UNLESS OTHERWISE SPECIFIED:	PRODUCT SPEC 108-18056		RESTRICTED TO	
	0 PLC ±0.2	APPLICATION SPEC		SIZE CAGE CODE DRAWING NO	
	1 PLC ±0.2	114-18049-1		A 100779 C=293132	
	2 PLC ±0.2	WEIGHT		SCALE 10:1 SHEET 2 OF 2 REV D1	
	3 PLC ±	MATERIAL SEE TABLE		CUSTOMER DRAWING	
	4 PLC ±	FINISH SEE TABLE			
	ANGLES ±1°				