

THIS DRAWING IS UNPUBLISHED. RELEASED FOR PUBLICATION 20  
 © COPYRIGHT 20 BY - ALL RIGHTS RESERVED.

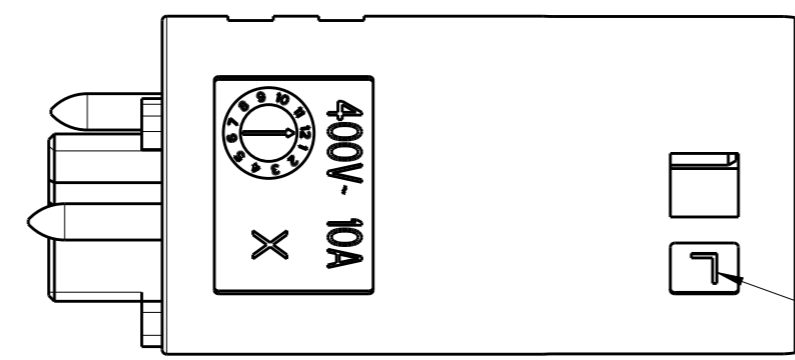
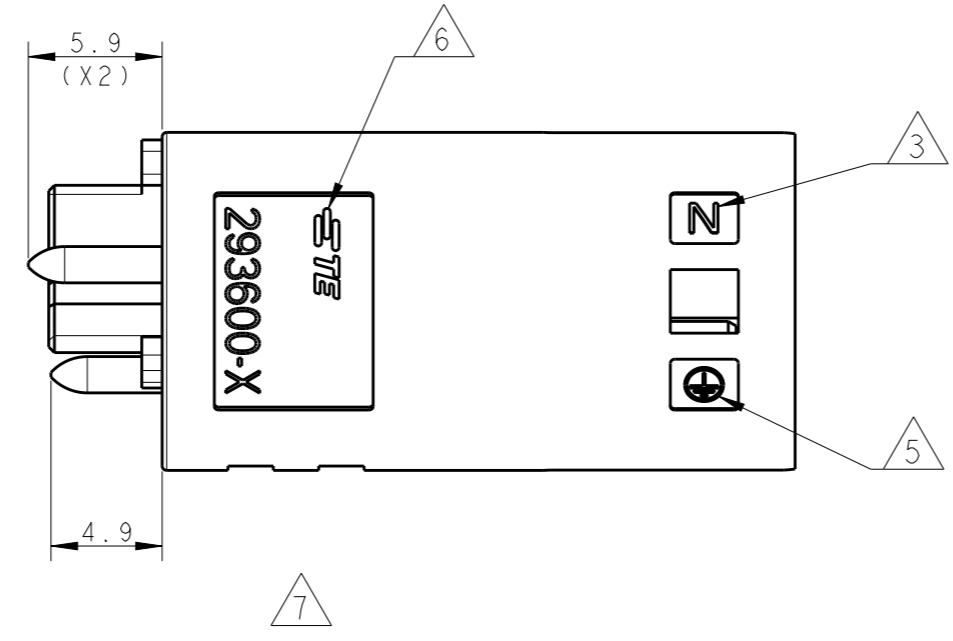
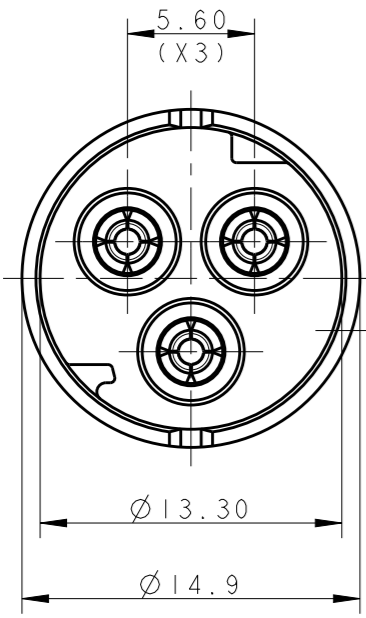
REVISIONS					
P	LTR	DESCRIPTION	DATE	DWN	APVD
E		UPDATED	20FEB2013	MZ	JC
F		PARTS -1, -2, -3	27JUN2013	KR	JC
F1		REVISED PART NUMBERS	12SEP2017	SK	ZM
F2		REVISED PER ECR-18-006945	20SEP2018	SR	MZ

VISUAL INDICATOR FOR PE CONDUCTOR

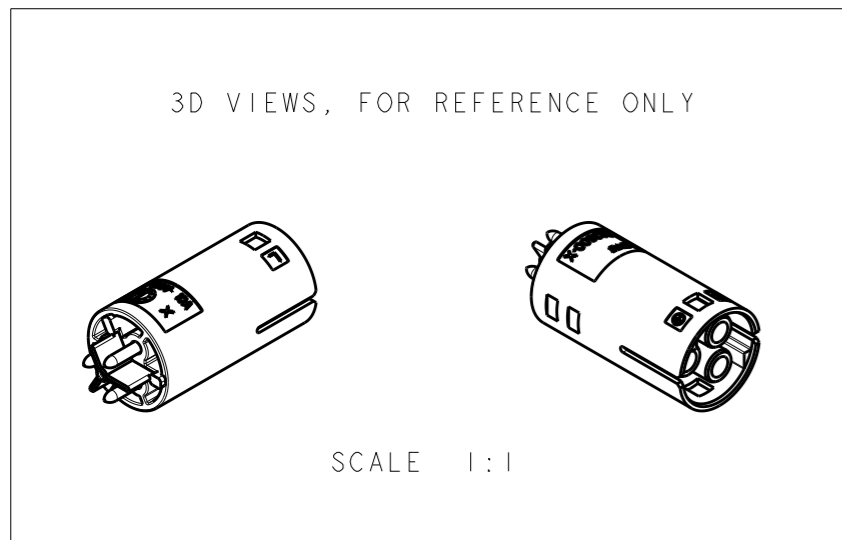
NOTES:

- 1) MATERIAL: POLYAMIDE GLASS FILLED NATURAL COLOUR
- 2) PACKAGING: SEE TE PACKAGING SPECIFICATION 107-20294

- △3 N CODE
- △4 L CODE
- △5 PE CODE
- △6 TE CODE
- △7 RATED VOLTAGE
- △8 RATED CURRENT
- △9 PART NOT YET RELEASED FOR PRODUCTION



NOTE	POL. KEYING	COLOUR	DESCRIPTION	REV.	PART NUMBER
OBSOLETE			SOCKET CONN. PCB VERTICAL NECTOR* M-LINE	E	293602-4
			SOCKET CONN. PCB VERTICAL NECTOR* M-LINE	F	293602-3
			SOCKET CONN. PCB VERTICAL NECTOR* M-LINE	F	293602-2
			SOCKET CONN. PCB VERTICAL NECTOR* M-LINE	F	293602-1



THIS DRAWING IS A CONTROLLED DOCUMENT.

DIMENSIONS:		TOLERANCES UNLESS OTHERWISE SPECIFIED:	
mm			
0 PLC	±-	1 PLC	±0.3
1 PLC	±-	2 PLC	±0.20
2 PLC	±-	3 PLC	±-
3 PLC	±-	4 PLC	±-
4 PLC	±-	ANGLES	±3°
MATERIAL	-	FINISH	-

DWN	M. ZUCCA	28OCT2009
CHK	M. ZUCCA	28OCT2009
APVD	G. TURCO	28OCT2009
PRODUCT SPEC	108-20304	
APPLICATION SPEC	114-20152	
WEIGHT	-	

**STE** TE Connectivity

NAME: SOCKET CONNECTOR PCB VERTICAL VERSION NECTOR\* M-LINE 3 POS. UNSEALED

SIZE	CAGE CODE	DRAWING NO	RESTRICTED TO
A300779	C-293602		

CUSTOMER DRAWING SCALE 3:1 SHEET 1 OF 3 REV F2

THIS DRAWING IS UNPUBLISHED.

RELEASED FOR PUBLICATION

20

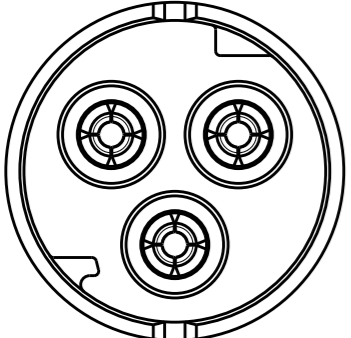
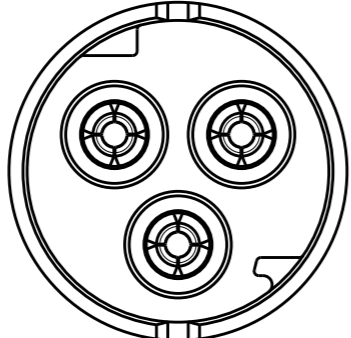
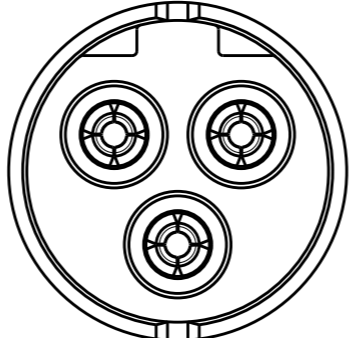
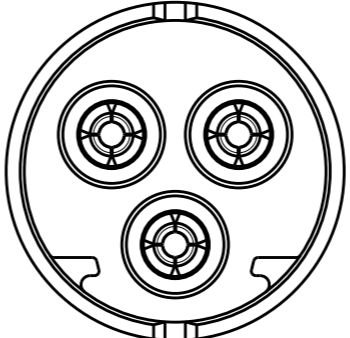
© COPYRIGHT 20 BY -

ALL RIGHTS RESERVED.

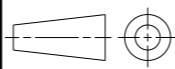
REVISIONS

P	LTR	DESCRIPTION	DATE	DWN	APVD
-		SEE SHEET 1	-	-	-

POLARIZATION KEYS

TYPE "A"	TYPE "B"	TYPE "C"	TYPE "D"
P/N 293602-1 AS SHOWN	P/N 293602-2 AS SHOWN	P/N 293602-3 AS SHOWN	<del>P/N 293602-4</del> AS SHOWN
			

THIS DRAWING IS A CONTROLLED DOCUMENT.

DIMENSIONS: mm	
	
MATERIAL	-
	-

TOLERANCES UNLESS OTHERWISE SPECIFIED:	
0 PLC	±-
1 PLC	±0.3
2 PLC	±0.20
3 PLC	±-
4 PLC	±-
ANGLES	±3°
FINISH	-
	-

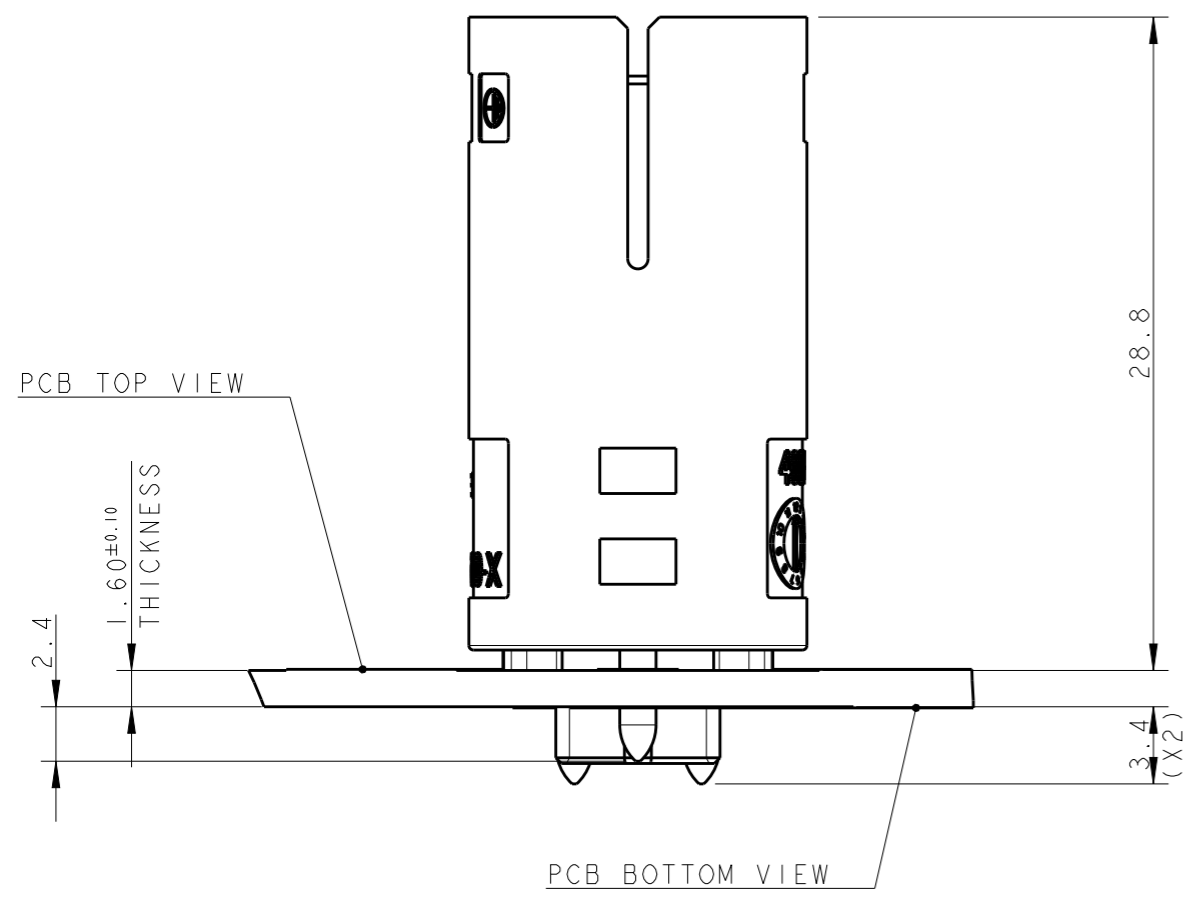
DWN	M. ZUCCA	28OCT2009
CHK	M. ZUCCA	28OCT2009
APVD	G. TURCO	28OCT2009
PRODUCT SPEC	108-20304	
APPLICATION SPEC	114-20152	
WEIGHT	-	
CUSTOMER DRAWING		



NAME SOCKET CONNECTOR PCB VERTICAL VERSION NECTOR* M-LINE 3 POS. UNSEALED			
SIZE	CAGE CODE	DRAWING NO	RESTRICTED TO
A3	00779	C-293602	
SCALE	SHEET	OF	REV
3:1	2	3	F2

THIS DRAWING IS UNPUBLISHED. RELEASED FOR PUBLICATION 20  
 © COPYRIGHT 20 BY - ALL RIGHTS RESERVED.

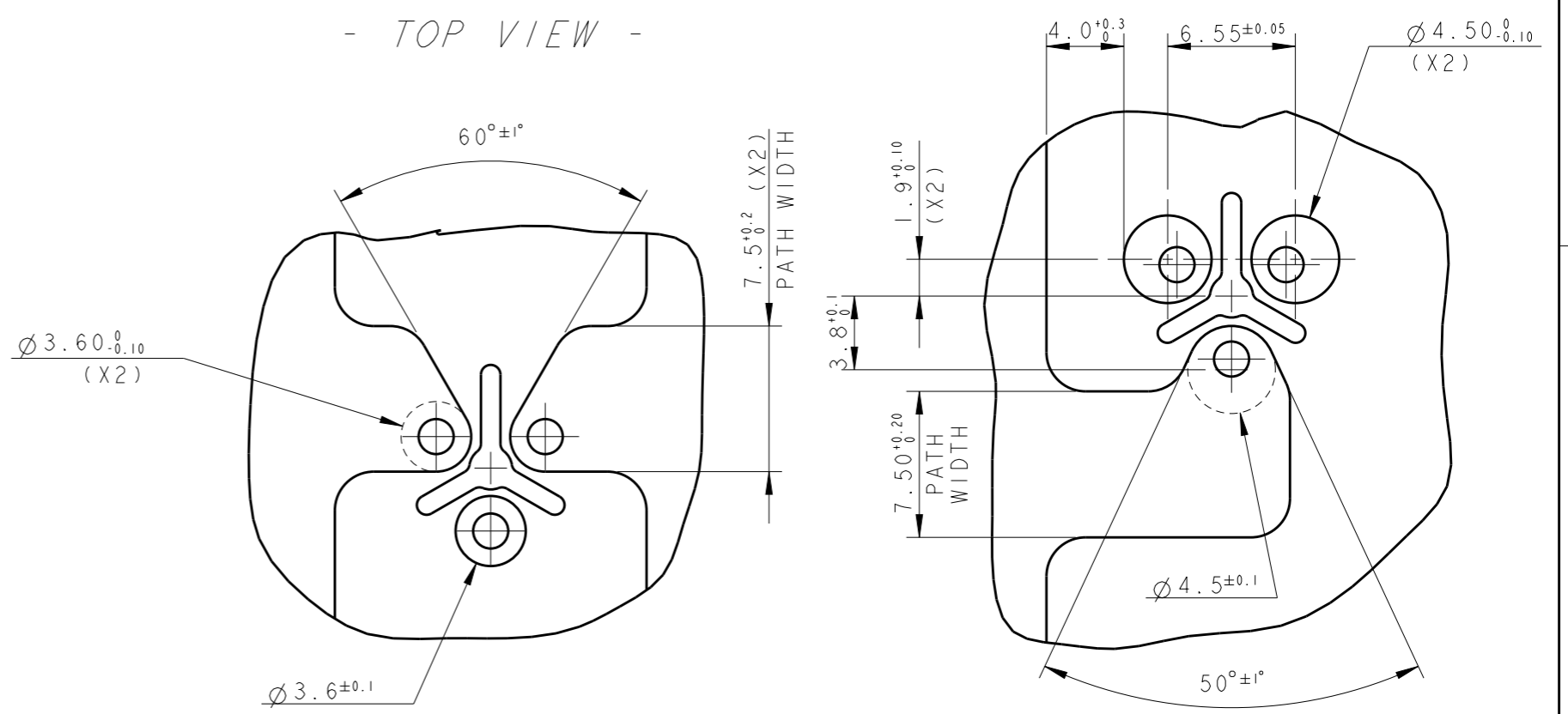
REVISIONS					
P	LTR	DESCRIPTION	DATE	DWN	APVD
-	-	SEE SHEET 1	-	-	-



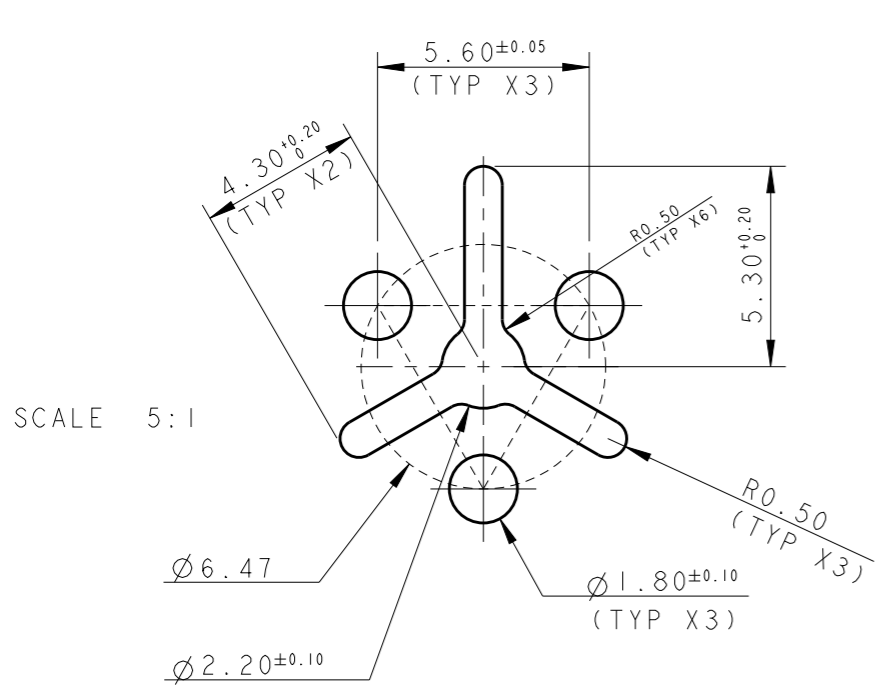
SUGGESTED L, N AND PE TRACKS LAYOUT ON PCB

- BOTTOM VIEW -

- TOP VIEW -



SUGGESTED PCB LAYOUT



THIS DRAWING IS A CONTROLLED DOCUMENT.		DWN M. ZUCCA 28OCT2009	TE Connectivity	
DIMENSIONS: mm		CHK M. ZUCCA 28OCT2009		
TOLERANCES UNLESS OTHERWISE SPECIFIED:		APVD G. TURCO 28OCT2009	NAME SOCKET CONNECTOR PCB VERTICAL VERSION NECTOR* M-LINE 3 POS. UNSEALED	
0 PLC ±-		PRODUCT SPEC 108-20304	SIZE CAGE CODE DRAWING NO RESTRICTED TO	
1 PLC ±0.3		APPLICATION SPEC 114-20152	A300779 C=293602	
2 PLC ±0.20		WEIGHT -	SCALE 3:1 SHEET 3 OF 3 REV F2	
3 PLC ±-		CUSTOMER DRAWING		
4 PLC ±-				
ANGLES ±3°				
FINISH -				
MATERIAL -				