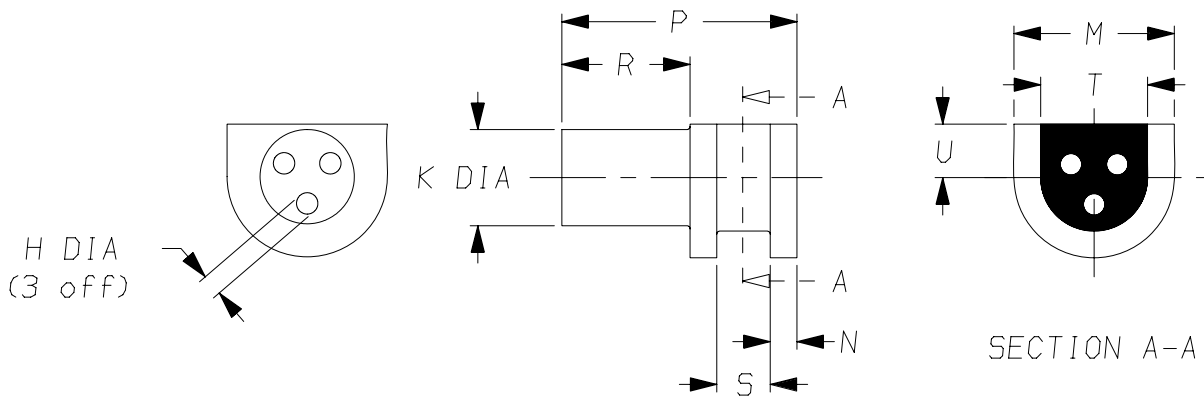


a) Part as supplied

305W010



**DIMENSIONS** in millimetres  
(in inches, for reference)

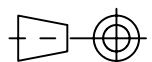
Part No.	H Ref	K Ref	M Ref	N ±10%	P ±10%	R ±10%	S Ref	T Ref	U Ref
a	a	a	a	a	a	a	a	a	a
305W010	2.0 {0.08}	9.0 {0.35}	15 {0.59}	2.5 {0.10}	22 {0.87}	12 {0.47}	5.0 {0.20}	10 {0.39}	5.0 {0.20}

**Copyright (!)**

The copyright in this drawing is the property of Tyco Electronics UK Ltd. The drawing is issued on the condition that it is not copied, reproduced or disclosed to a third party, either in whole or in part without the prior written consent of Tyco Electronics UK Ltd.

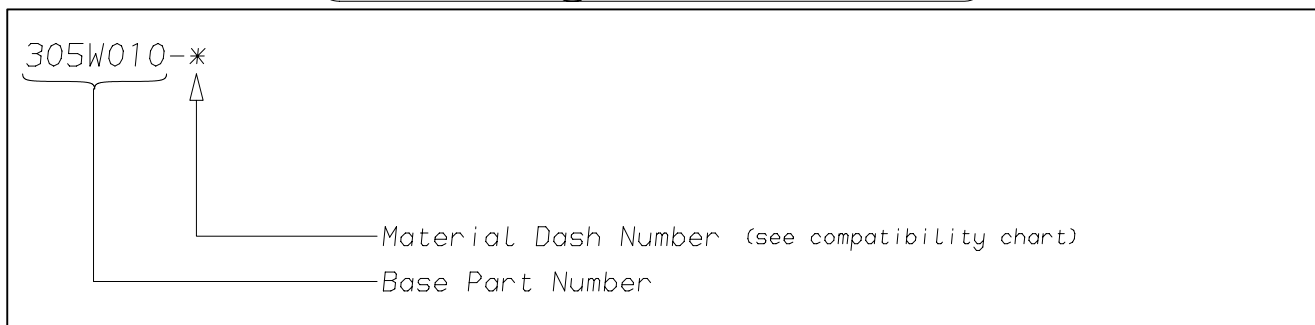
Drawn A.LILLEY. Checked Issue 2 Date January 2007 Conforms to ISO Recommendations  
3rd Angle Projection  
Not to Scale

Approval Design MKTG. Q.A.



<b>Raychem</b>		<b>Specification Control Drawing</b>	Part Number  305W010 Issue 2
Iss.	Date	E.C.R. No.	Details of Change
2	January 2007	CR06-HM-012	Imperial dimensions added

### (Ordering Information)



### (COMPATIBILITY CHART)

Material Dash Number	Material Description	SPEC Number	Coating Slash Number
-3	POLYOLEFIN, SEMI-RIGID	RT-301, RK-6703	N/A
-4	POLYOLEFIN, FLEXIBLE	RT-1304 RT-1050	N/A
-6	SILICON	RT-602, RK-6706	N/A
-12	FLUOROELASTOMER, FLEXIBLE	RT-1312, RW-2071	N/A
-25	ELASTOMER, FLUID RESISTANT	RT-1325, RK-6713	N/A
-100	ZERO HALOGEN	RT-1323, RK-6717	N/A
-130	POLYOLEFIN, COMMERCIAL FLEXIBLE	RW-2008	N/A

Tyco Electronics UK Ltd. Faraday Road, Swindon, Wiltshire, SN3 5HH England Telephone: (01793) 528171 Fax: 572516	Tyco Electronics Corporation 300, Constitution Drive, Menlo Park, CA 94025 USA Telephone (650) 361-3860 Fax: (650) 361-5579
Cage Code K1010	Cage Code 06090