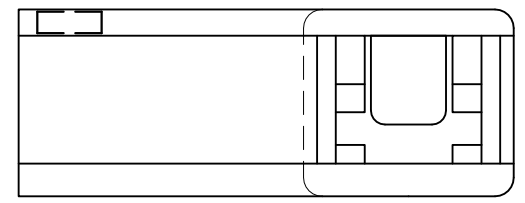
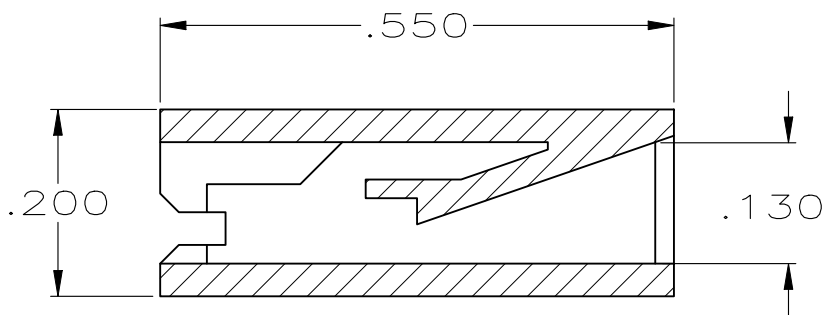
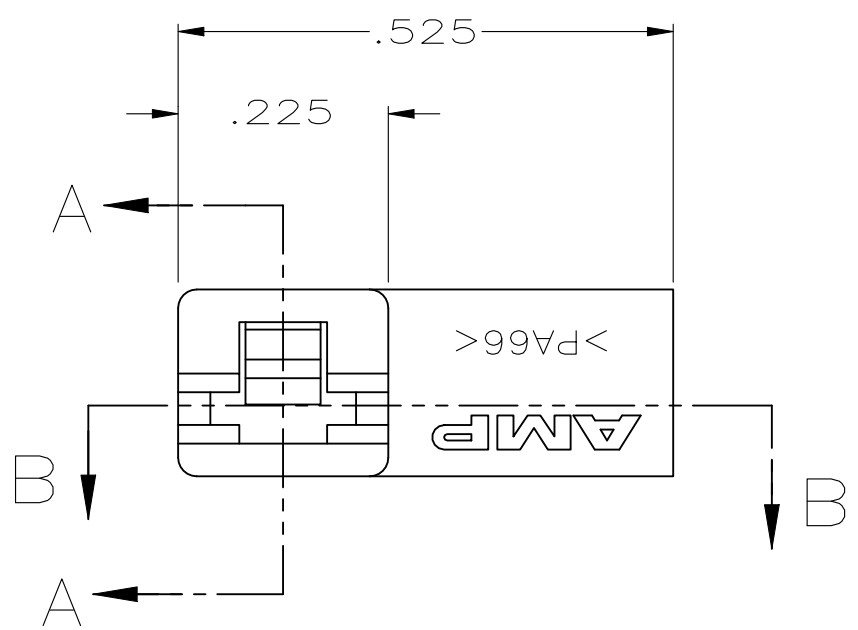
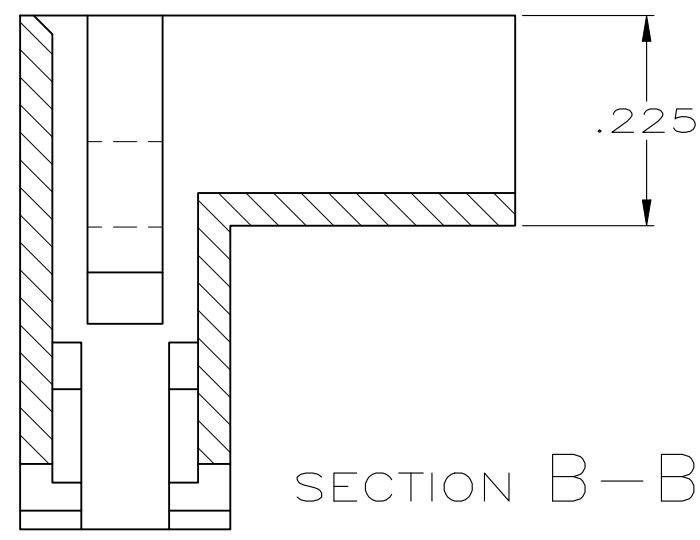


DRAWING MADE IN THIRD ANGLE PROJECTION

THIS DRAWING IS UNPUBLISHED. RELEASED FOR PUBLICATION, 19
 © COPYRIGHT 19 BY AMP INCORPORATED. ALL INTERNATIONAL RIGHTS RESERVED.

LOC	DIST	P	F	REVISIONS			DATE	APPD
ZONE	LTR	DESCRIPTION		DATE	APPD			
AF	50			D2	REVISED PER ECR-23-190835	13FEB2024	DB/RE	



- 1 TO BE USED WITH TERMINAL #61070.
- 2 THIS PRODUCT HAS NOT COMPLETED VALIDATION TESTING AGENCY CERTIFICATION PENDING
- 3 PRELIMINARY PART
- 4 OBSOLETE PART

4	3	NYLON V0	360040-2	2
		NYLON V2	360040-1	
MATERIAL			PART NO	

DO NOT SCALE PRINT. UNLESS SPECIFIED DIMENSIONS ARE IN INCHES TOLERANCES ON: 2 PLC DEC ± - 3 PLC DEC ± .015 ANGLES ± -	DR 2/4/91 JR RUTH				
	CHK 2/4/91 P FORTNEY				
	MATERIAL 6/6 NYLON	APPD 2/4/91 C MEYERS	NAME HOUSING, FASTON™, .110 SERIES		
	FINISH NATURAL	APPD 2/4/91 D REINER	PRODUCT SPEC -	SIZE B	CAGE CODE 00779
	APPLICATION SPEC -	WEIGHT -	SCALE 5:1	SHEET 1 OF 1	