

THIS DRAWING IS UNPUBLISHED.

RELEASED FOR PUBLICATION

© COPYRIGHT

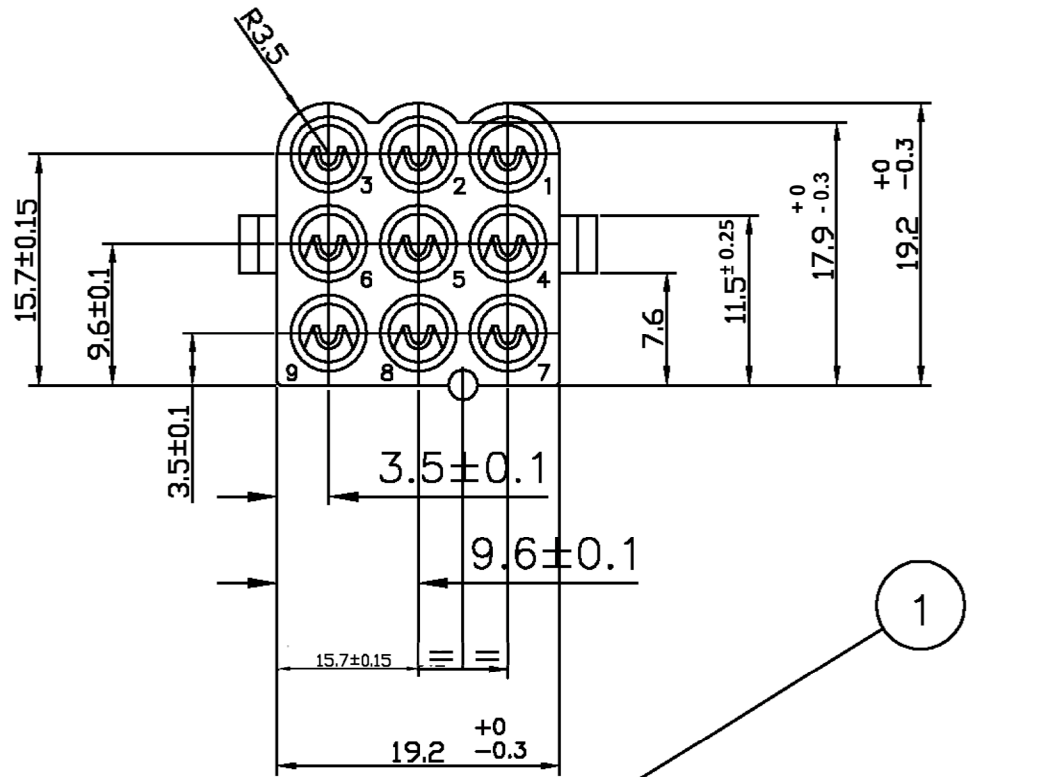
BY

ALL RIGHTS RESERVED.

LOC Z DIST 00

REVISIONS

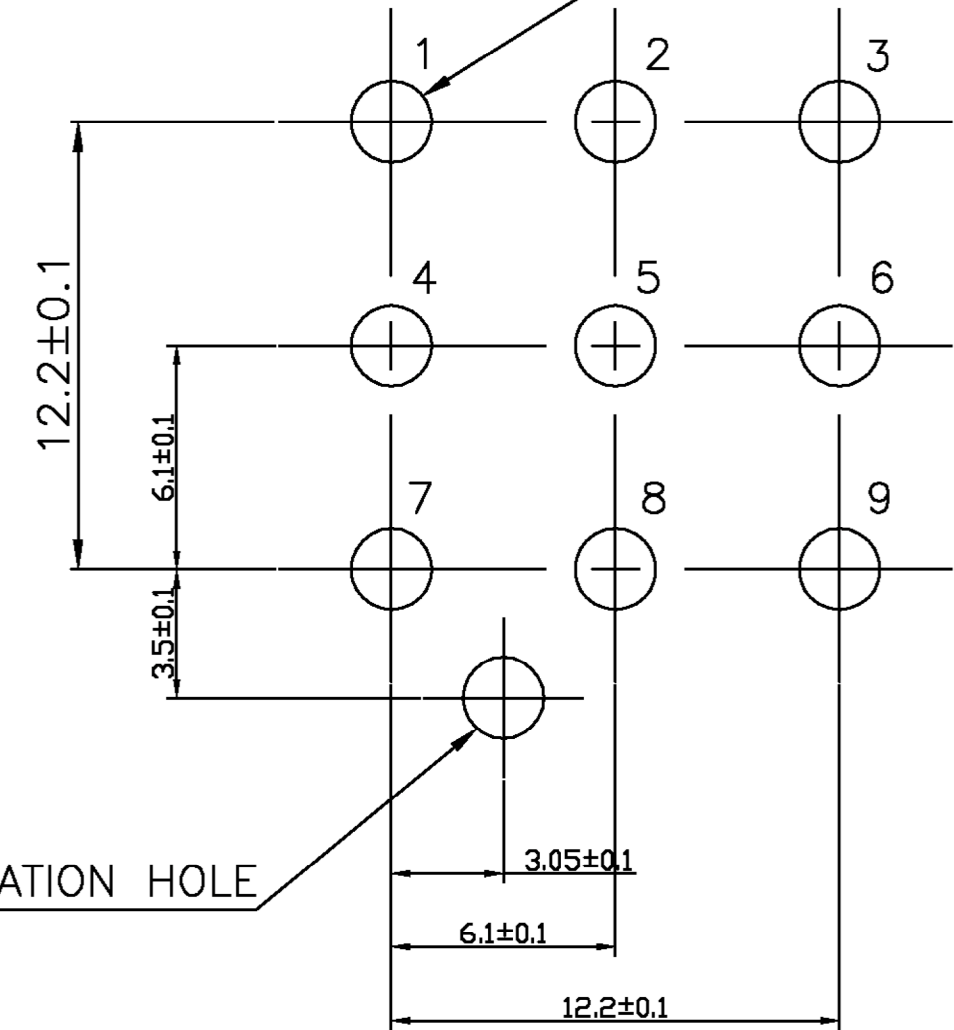
P	LTR	DESCRIPTION	DATE	DWN	APVD
	B3	REVISED PER ECR-21-117185	26OCT2021	PJ	VS



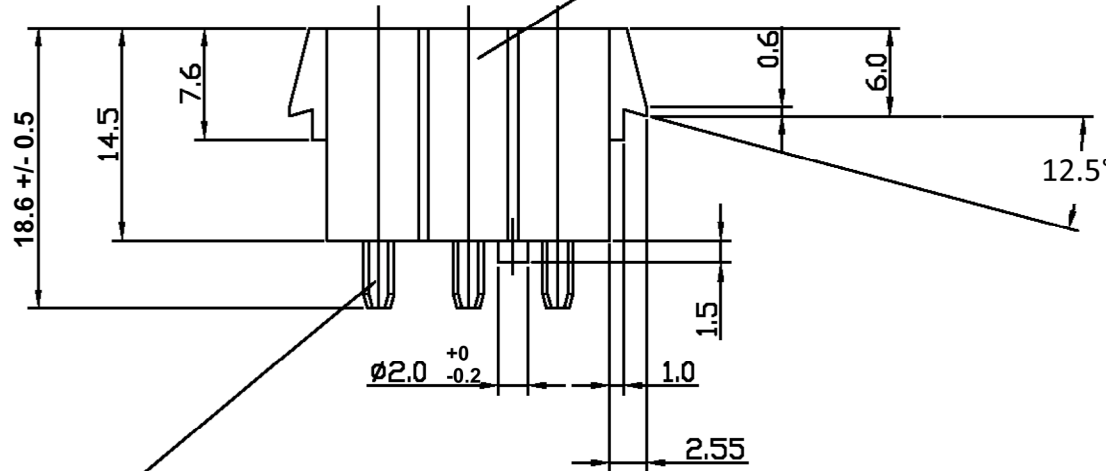
MATES WITH 1-480673-0 PCB PATTERN.

SCALE 5:1

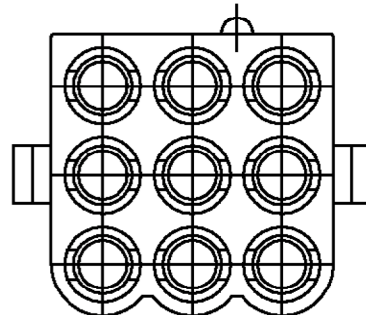
FINALIZED HOLE $\phi 2.2^{+0.1}_{-0}$ AMOUNT 9+1



POLARIZATION HOLE



2



1. DIMENSION SHOWN REPRESENT PRODUCT IN DRY CONDITION. ADDITIONAL 2% GROWTH DUE TO END USE LOCATION MOISTURE ABSORPTION MAY OCCUR AND SHOULD BE ACCOUNTED FOR.

365046-1	9	PCB SOCKET	Cu Sn PRETIN.	926915-1
	1	REC.HOUSING	PA 6.6 NAT	927011-1
PART NO.	AMOUNT	FINISH	MATERIAL	PARTNUMBER

THIS DRAWING IS A CONTROLLED DOCUMENT.		DWN Klaus Eichwald 11FEB99	TE TE Connectivity	
DIMENSIONS: MM		CHK -		
TOLERANCES UNLESS OTHERWISE SPECIFIED:		APVD -	NAME 9-Pos. Rec. Header 9x ±3.5 mm Pcb. Socket Assy.	
0 PLC ± -		PRODUCT SPEC -		
1 PLC ±0.3		APPLICATION SPEC -	SIZE A3 CAGE CODE 00779 DRAWING NO ©=365046 RESTRICTED TO -	
2 PLC ±0.3		WEIGHT -		
3 PLC ± -		CUSTOMER DRAWING		
4 PLC ± -		SCALE 1:1	SHEET 1 OF 1	REV B3
ANGLES ±2.5°				
FINISH -				