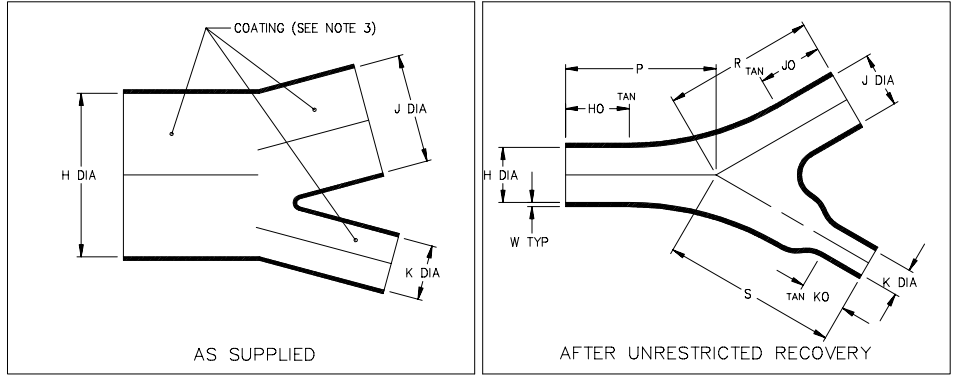


Thermofit[®] Molded Parts
 Specification Control Drawing
 Limited Distribution

Part Number : 382C3XX-X-01
 Description : Slimline Transition, "Y"

NOTES

- All dimensions are in $\frac{\text{inches}}{\text{millimeters}}$
- Dimensions appearing in table are as follows:
 a - As Supplied
 b - After Unrestricted Recovery
- Coating is optional. As supplied dimensions appearing in table are for uncoated parts. When coating is added, entry diameters will be reduced by .06 max.
- Wall thickness will not be measured in transition area.



PART NUMBER	H		J		K		HO & JO	KO	W	P & R	S
	Min a	Max b	Min a	Max b	Min a	Max b	Norm b	Norm b	Norm b	Norm b	Norm b
382C313-X-01	2.37 [60,2]	.79 [20,1]	1.58 [40,1]	.79 [20,1]	.80 [20,3]	.40 [10,2]	1.00 [25,4]	.65 [16,5]	.06 [1,5]	2.23 [56,6]	2.52 [64,0]

If this document is printed it becomes uncontrolled.
 Check for the latest revision.

Raychem

RAYCHEM CORPORATION
 300 CONSTITUTION DRIVE
 MENLO PARK, CALIFORNIA 94025
 (415) 361-6055

Revision : B
 Date : 6/3/93

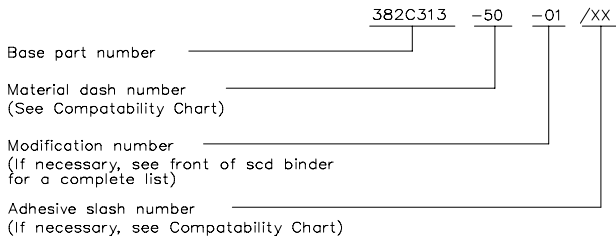
Part Number : 382C3XX-X-01
 Description : Slimline Transition, "Y"

Thermofit[®] Molded Parts
 Specification Control Drawing
 Limited Distribution

Part Number : 382C3XX-X-01
 Description : Slimline Transition, "Y"

MATERIAL DASH NO.	MATERIAL DESCRIPTION	RT SPEC	COATING SLASH NO.	COATING S NO.	COATING DESCRIPTION
-50	Flexible Viton	RT-1313			

ORDERING INFORMATION



THIS DRAWING IS SUBJECT TO CHANGE WITHOUT NOTICE; CONSULT YOUR
 NEAREST FIELD REPRESENTATIVE FOR CURRENT REVISION

Raychem

RAYCHEM CORPORATION
 300 CONSTITUTION DRIVE
 MENLO PARK, CALIFORNIA 94025
 (415) 361-6055

Revision : B
 Date : 6/3/93

Part Number : 382C3XX-X-01
 Description : Slimline Transition, "Y"