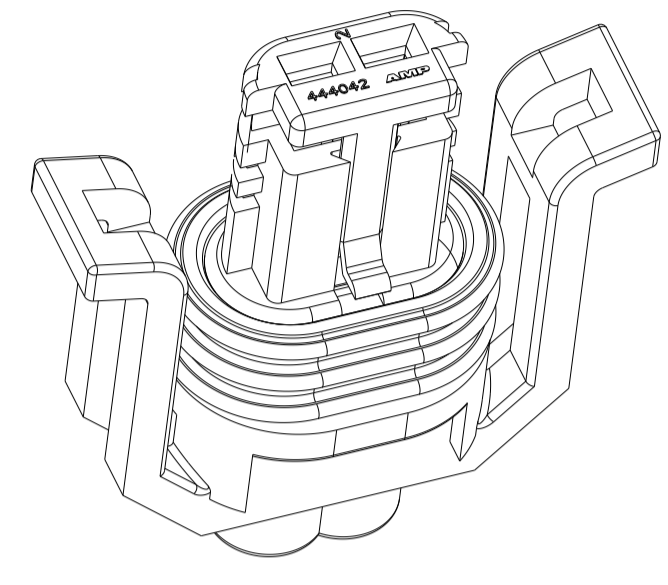
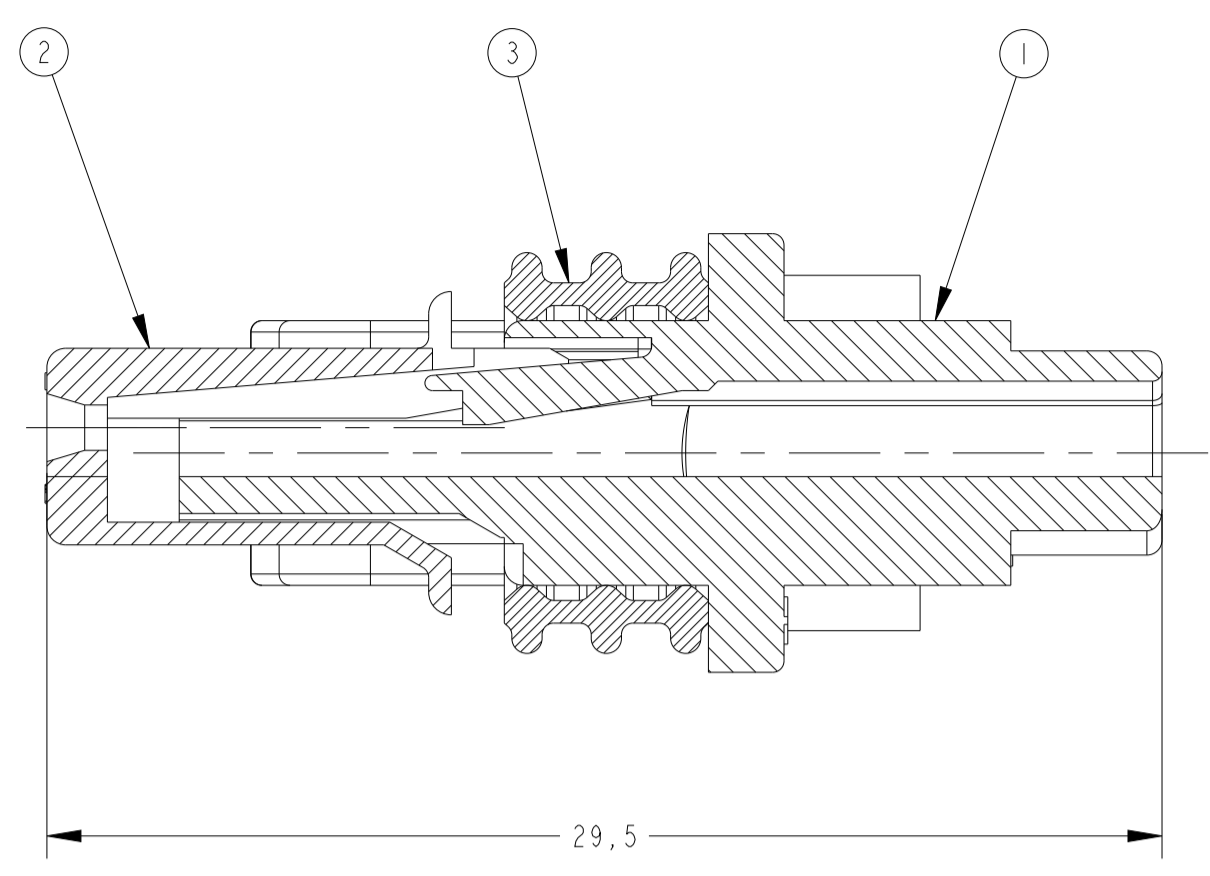
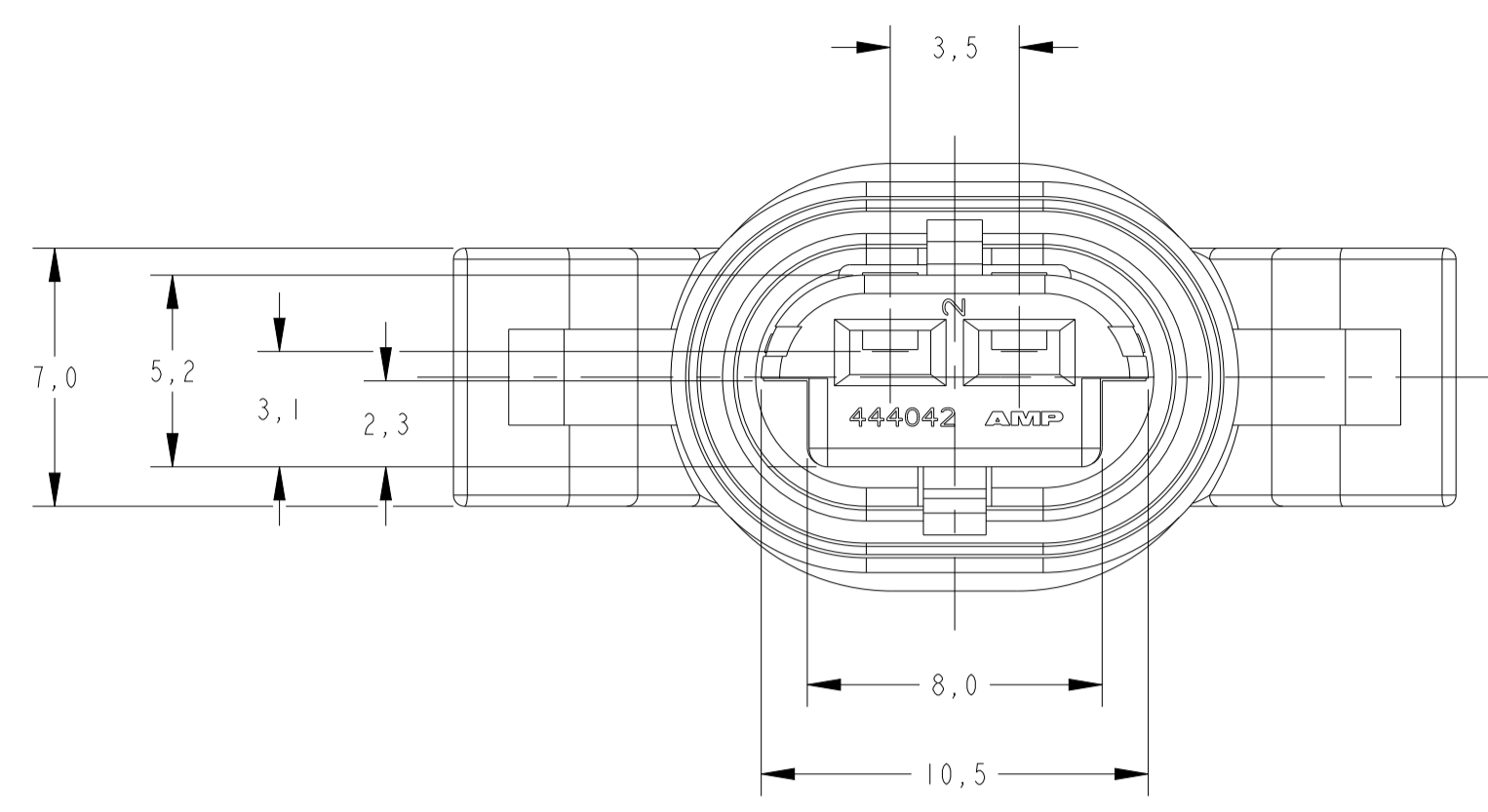
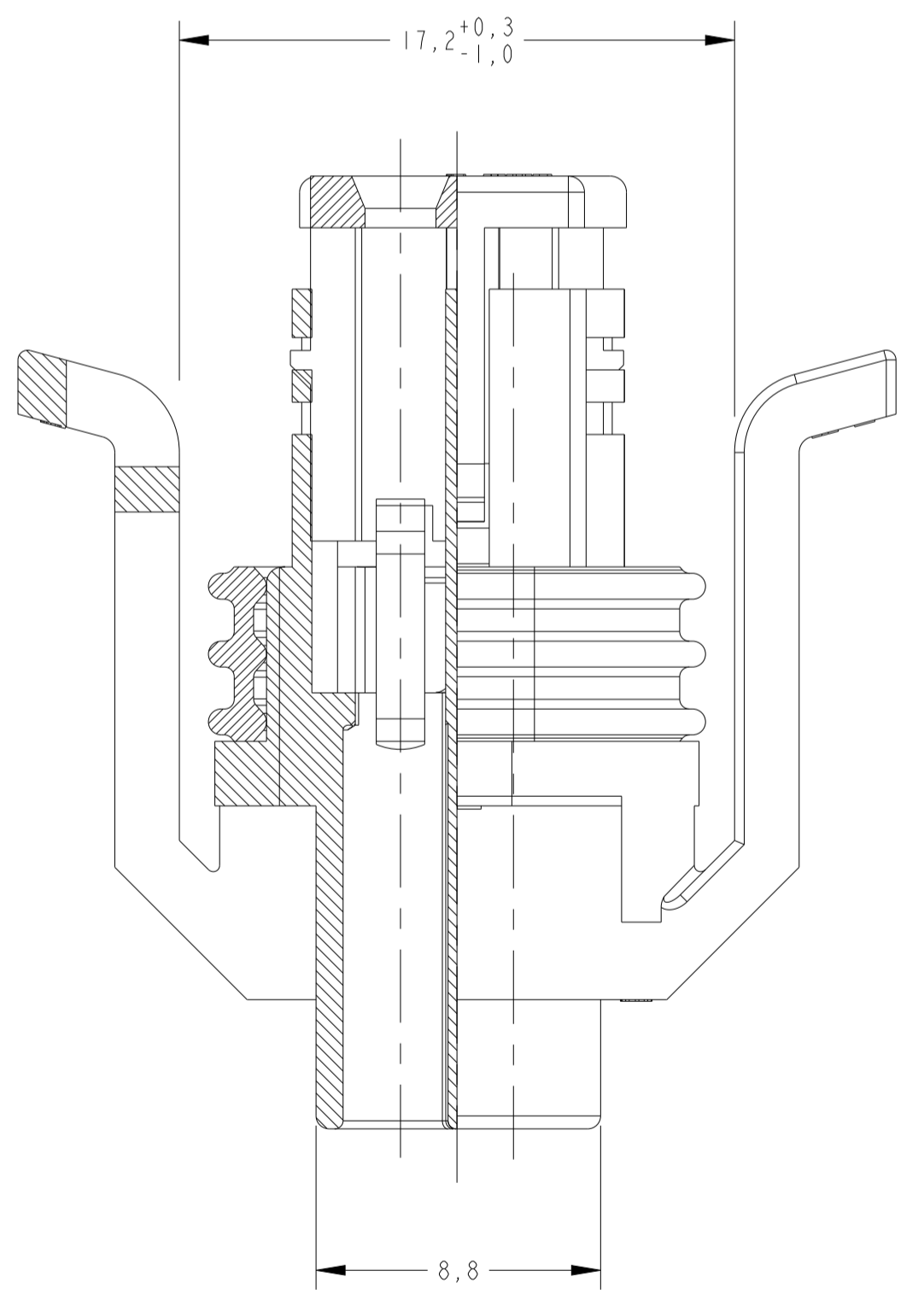


REVISIONS				
P	LTN	DESCRIPTION	DATE	APPV
F		REDRAW BY CAD ECO-15-009694	14JUL2015	NCL DAO
F1		REVISED BY ECN-21-108212	05JUL2021	LAA GB
F2		REVISED BY ECN-24-260626	12APR2024	GCS RPS



PERSPECTIVE VIEW
 SCALE 3:1

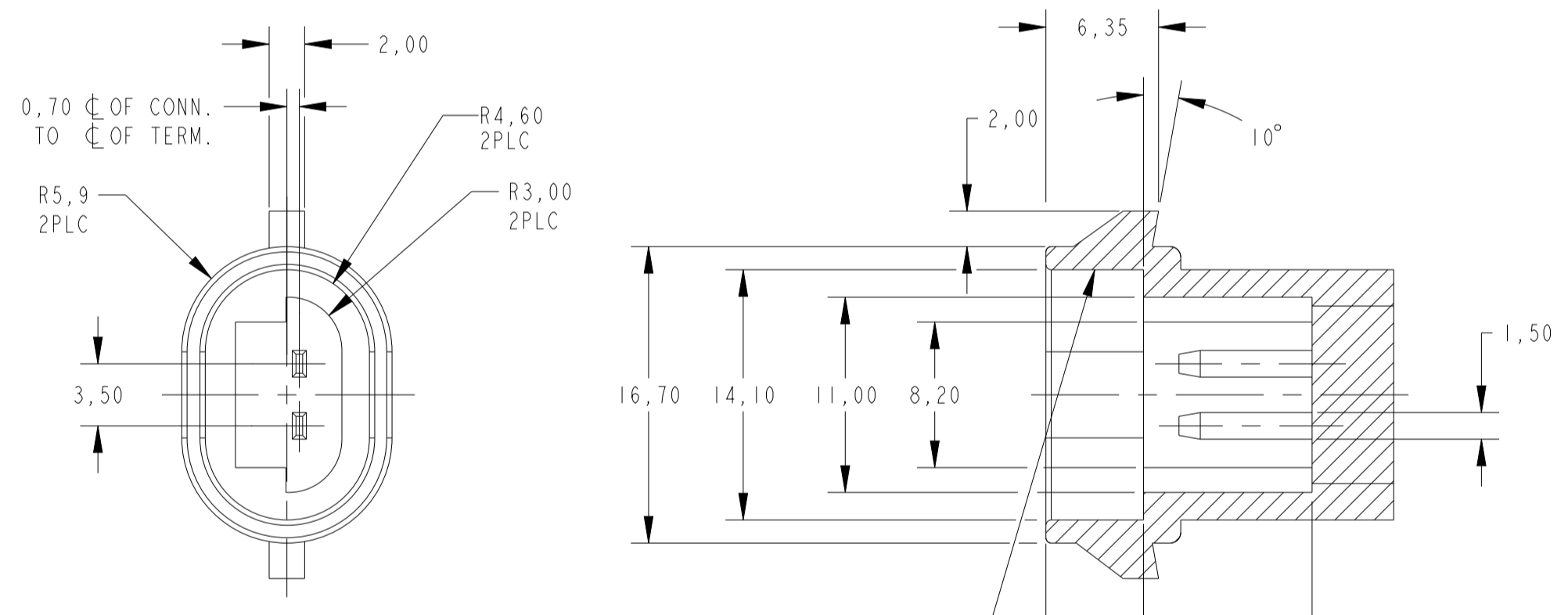
SECTION A-A



SECTION B-B

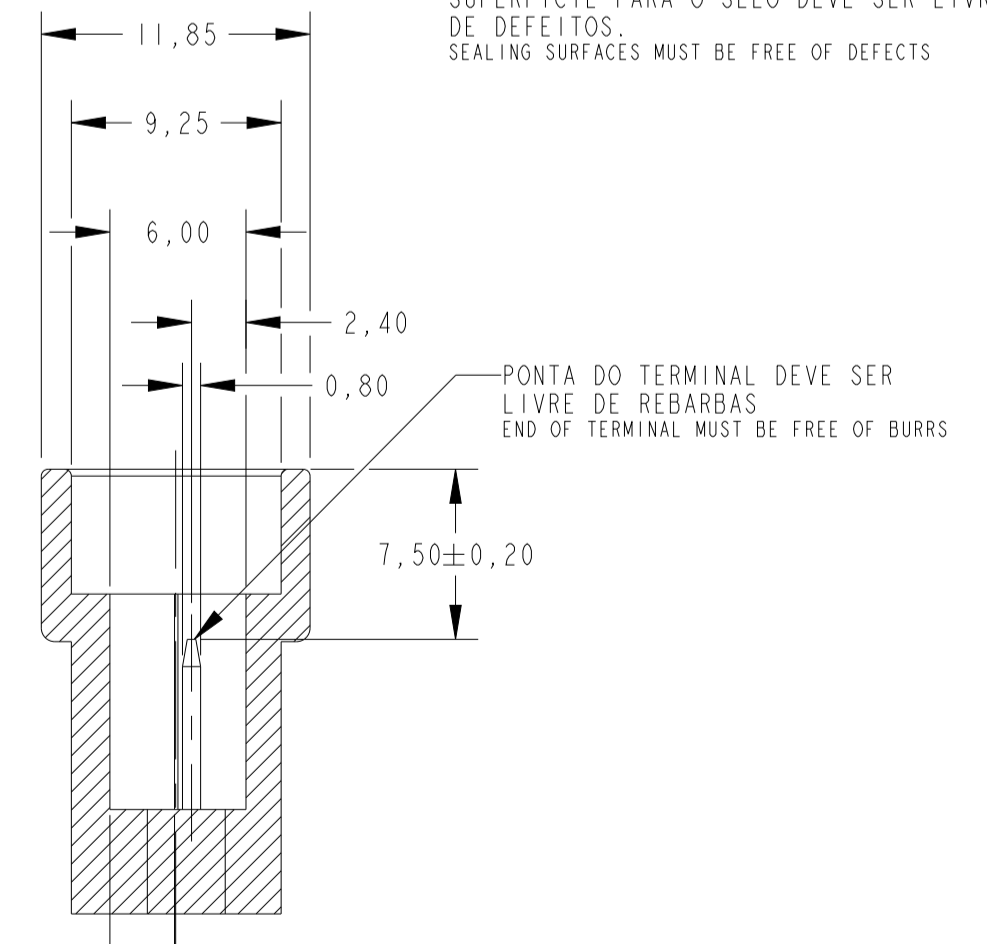
INFORMAÇÕES DA CONTRA-PEÇA

MATING CONNECTOR INFORMATION
 SCALE 3:1



SUPERFÍCIE PARA O SELO DEVE SER LIVRE DE DEFEITOS
 SEALING SURFACES MUST BE FREE OF DEFECTS

SECTION A-A



PONTA DO TERMINAL DEVE SER LIVRE DE REBARBAS
 END OF TERMINAL MUST BE FREE OF BURRS

SECTION B-B

TOLERÂNCIA NÃO ESPECIFICADA ±0,10
 TOLERANCE NOT SPECIFIED

- 1 - AS TRAVAS DEVEM ESTAR NA POSIÇÃO COMO MOSTRADO
 - THE LOCKS MUST BE IN SHOWN POSITION
- 2 - GRAVAÇÕES QUE DEVERÃO CONSTAR:
 - MARCA REGISTRADA AMP, NÚMERO DA PEÇA TE IDENTIFICAÇÃO DE CIRCUITO, NÚMERO DE CAVIDADE
 - STAMP THAT MUST BE EVIDENT
 - TRADEMARK AMP, PART NUMBER TE, CIRCUIT IDENTIFICATION, MANUFACTURER COUNTRY CODE, CAVITY IDENTIFICATION

REQ. PER ASSY	ITEM	DESCRIPTION	MATERIAL	FINISH
	1	HOUSING, 2 POSN., MULTI-LOCK REC	PA 6.6	PRETO / BLACK
	3	SEAL RING 2 POSN	FLUOR SILICONE	VERDE / GREEN
	3	SEAL RING 2 POSN	FLUOR SILICONE	MARRON AVERMELHADO REDDISH BROWN
	2	SPACER, 2 POSN., MULTI-LOCK REC	SILICONE	AMARELO / YELLOW
	1	HOUSING, 2 POSN., MULTI-LOCK REC	PA 6.6	VERDE / GREEN
444040				

THIS DRAWING IS A CONTROLLED DOCUMENT.		OWN: NCLAPRESA 14JUL2015	TE Connectivity	
DIMENSIONS: mm		CHK: FFORTUNATO 14JUL2015		
TOLERANCES UNLESS OTHERWISE SPECIFIED:		APPV: DAOLIVEIRA 14JUL2015		
0 PLC ± 1 PLC ±0,3 2 PLC ± 3 PLC ± 4 PLC ± ANGLES ±1° FINISH		NAME: HOUSING ASSY., 2 POSN., MULTI-LOCK RECEP PRODUCT SPEC: 108-37021 APPLICATION SPEC: - SIZE: A1 CAGE CODE: - DRAWING NO: C=444040 RESTRICTED TO: - WEIGHT: - MATERIAL: SEE TABLE SEE TABLE Customer Drawing		
MATERIAL: SEE TABLE		SCALE: 4:1	SHEET 1 OF 1	REV: F2