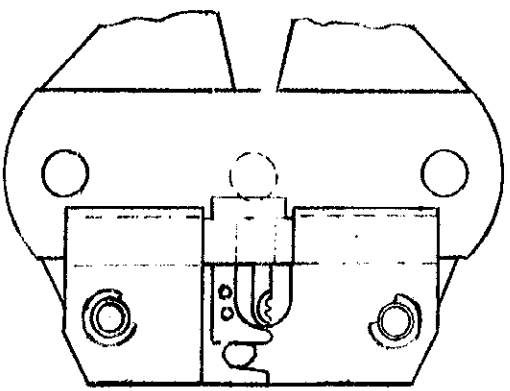
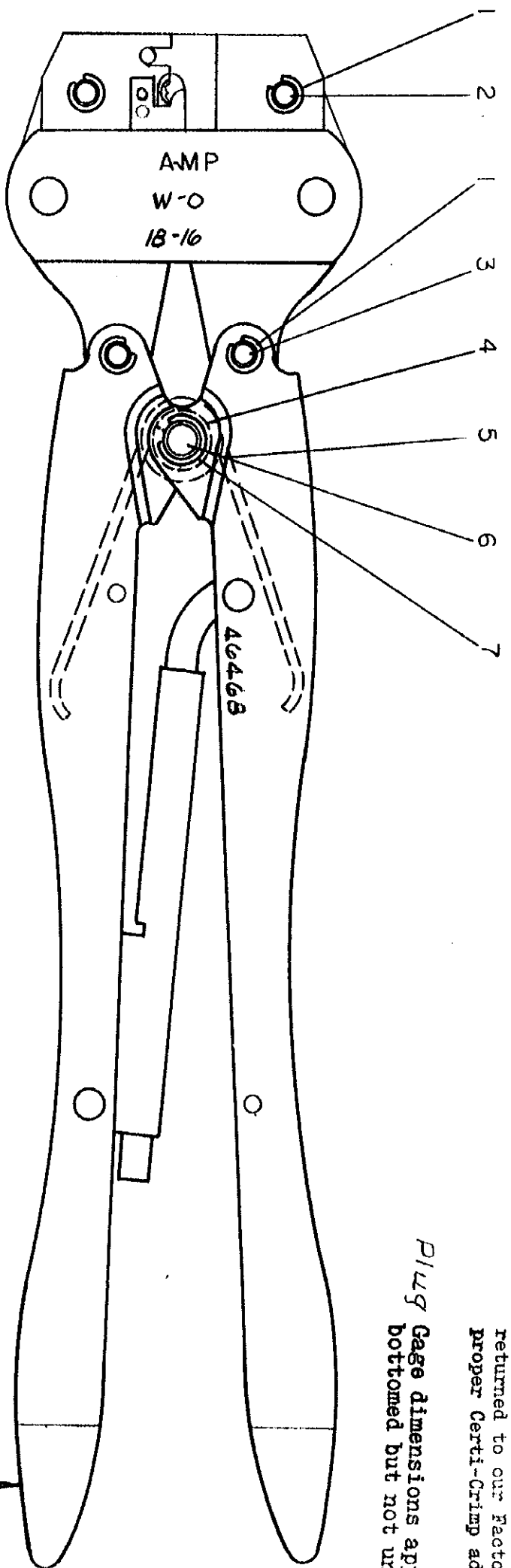
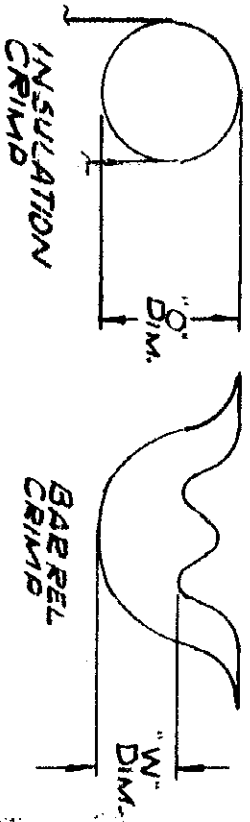


For replacement of parts other than listed, tool should be returned to our Factory to insure proper Certi-Crimp adjustment.

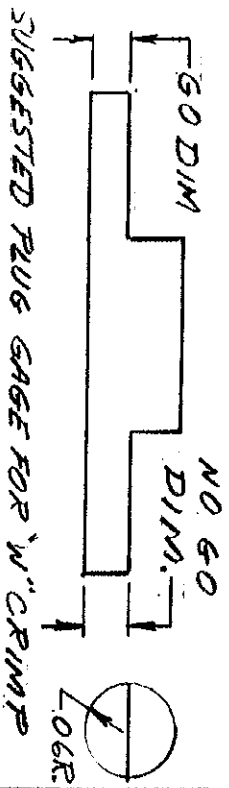
Plug Gage dimensions apply when tool is bottomed but not under pressure.



OPPOSITE SIDE



DIM.	GO	NO GO
"O"	.171	.179
"W"	.051	.057



PRINT LIST
3

1289-2
DIMENSIONS IN INCHES DO NOT SCALE PRINT

6	REVISED	RY	10/25/68
5	REVISED	JUP	6/26/68
4	REVISED	RY	6/25/68
3	REWORK	DR	6/21/68
2	REVISION RECORD	DR	CHK
1			

46468	NUMBER
46468	DESCRIPTION

ITEM NO	QTY	DESCRIPTION	REF
1	1	RING - RETAINING	
2	2	PIN - RETAINING	
3	2	PIN - RETAINING	
4	1	COLLAR	
5	1	SPRING	
6	1	RING - RETAINING	
7	1	RING - RETAINING	

APPROVED: *E. J. ...* 11-7-61

DATE: 11-7-61

SCALE: 1" = 1" 0

CLASS: POST INSULATED STEAD-THEM

TYPE: W-0

LOC: M

NO: 46468

REV: 5

NAME: HAND TOOL ASSEMBLY

REMARKS: CUSTOMER COPY REFERENCE ONLY

AMP INCORPORATED HARRISBURG, PENNA.