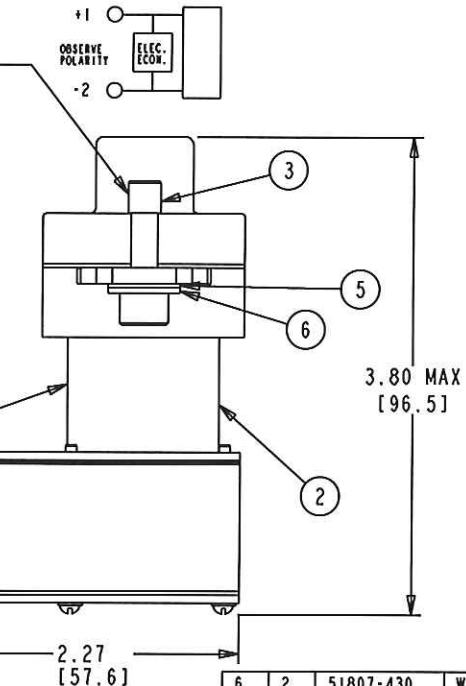
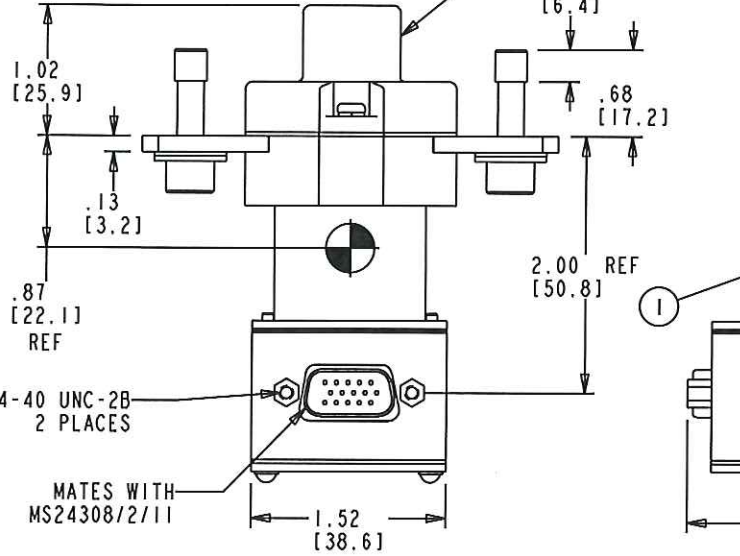
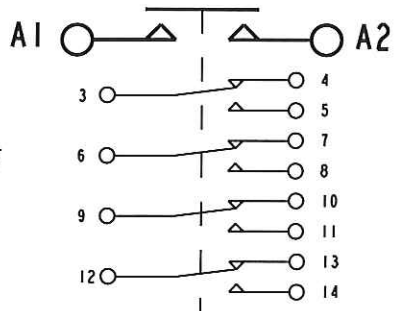
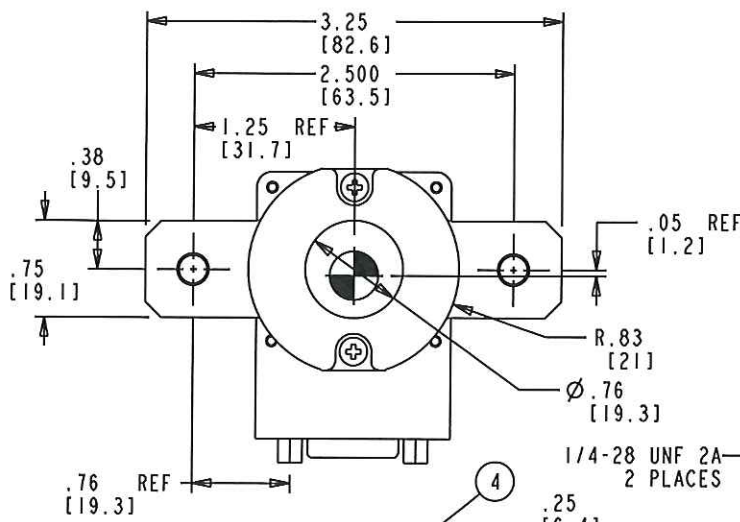


REVISIONS		RELEASED	
REV.	DESCRIPTION	DATE	APPROVED
A	RELEASED TO PROD. FROM REV 4	17APR2015	RSS



CONSTRUCTION	GASKET SEALED
MAIN CONTACTS CONFIGURATION	SPST N.O. (DOUBLE BREAK)
VOLTAGE	28 VDC
CURRENT	400 AMPS
RESISTIVE OVERLOAD	450 AMPS FOR 5 MIN. 1000 AMPS FOR 10 SEC. 1500 AMPS
INRUSH RUPTURE MOTOR	4000 AMPS 1875 AMPS FOR 0 TO 5 SEC. 1700 AMPS FOR 5 TO 10 SEC. 1500 AMPS FOR 10 TO 15 SEC. 1200 AMPS FOR 15 TO 20 SEC. 1000 AMPS FOR 20 TO 25 SEC. 750 AMPS FOR 25 TO 30 SEC. 500 AMPS FOR 30 TO 90 SEC. 150 mV MAX
VOLTAGE DROP BOUNCE	5 mS AT 28 VDC 25°C
AUXILIARY CONTACTS CONFIGURATION	4PDT
VOLTAGE	28 VDC
CURRENT	5 AMPS
RESISTIVE INDUCTIVE	1 AMP
BOUNCE	5 mS AT 28 VDC 25°C
SIMULTANEOUS DIELECTRIC WITHSTAND	10 mS AT 28 VDC 25°C 1000 Vrms
COIL DATA	
DUTY CYCLE	CONTINUOUS (ELECTRONIC ECONOMIZED)
MAX OPERATE VOLTAGE	32 VDC
MAX PICKUP VOLTAGE	18 VDC MAX
DROP OUT VOLTAGE	9 VDC MAX
COIL CURRENT	
INRUSH HOLD	6 AMP MAX AT 28 VDC FOR APPROX. 100 ms
PICKUP TIME	400 mA MAX AT 28 VDC
DROP OUT TIME	25 mS AT 28 VDC 25°C
SUPPRESSION	15 mS AT 28 VDC 25°C ±42 VOLTS
ENVIRONMENTAL DATA	
GROUND SURVIVABILITY TEMPERATURE	-55 TO 85°C
NOMINAL OPERATE TEMP	-55 TO +70°C
ALTITUDE	55,000 FT
DECOMPRESSION	55,000 FT
LIFE ELECTRICAL	50,000 CYCLE MIN.
LIFE MECHANICAL	100,000 CYLCES MIN.
WEIGHT MAX	.68 LBS

FIND NO	QTY	RECD	PART OR IDENTIFYING NO	NOMENCLATURE OR DESCRIPTION	DRAWING OR SPECIFICATION	FSCN NO	TE PART NO	MATERIAL OR NOTE
6	2		51807-430	WASHER, BELLEVILLE 1/4				6-1616949-6
5	2		51703-100	WASHER 17/64 ID X 9/16 OD				4-1616945-7
4	1		47619-150	PRIMARY ASSEMBLY				9-1616986-1
3	2		47362-007	SOCKET CAP TERMINAL SCREW				1616990-7
2	1		44900-022	SCHEMATIC DIAGRAM				8-1616986-9
1	1		44899-041	NAME PLATE				9-1616986-0

- NOTES:
- INSTALLATION TORQUE 1/4-28 UNF-2A - 56 IN-LBS
 - STATIONARY BUS BARS ARE SILVER PLATED, ASTM B700, TYPE II, GRADE D SEMI BRIGHT CLASS N
 - CONNECTOR FINISH TO BE ZINC PLATE, YELLOW CHROMATE

DIMENSIONS: INCHES [mm]
TOLERANCES UNLESS OTHERWISE SPECIFIED

2 PL DEC.	3 PL DEC.	ANGLES
±.06	±.010	± 1°

DR BY: RSS 11-12-01
CHK BY: NDM 15-04-28
ENGR: RSS 11-12-01
MFG: DWA 15-04-30

SCALE: NONE SHEET 1 OF 1

TE
Harman Division 175 N. DIAMOND STREET MANSFIELD, OHIO 44902

CONTACTOR SPST N.O. DB
400 AMP, 28 VDC

DWG NO. K4001B8C3

REF TE PN 5-1616986-9